



### FIPA System monitoring

> Monitoring and control of vacuum systems



#### **Vacuum and pressure switches**

- > Regulation and monitoring of vacuum circuits
- > High degree of user flexibility thanks to models with digital, analogue, pneumatic or mechanical controls
- > See next page for overview

> See page 691



#### **Vacuum and pressure gauge**

- > Visual monitoring of vacuum circuits
- > Analogue or digital display

> See page 696



FIPA System monitoring - Overview

Item no.	Page	Vacuum and pressure switches								
		Product	Special applications	Signal output	Hysteresis	Protection class	Operation	Display		
 20.002	687	Vacuum switch - pneumatic	No electrical connection required	1 x pneumatic	120 mbar	--	Adjustment screw	--		
 20.011	686	Vacuum switch - electromechanical	NO/NC change-over contact function, for example for controlling solenoid valves	1 x electric, 250 V max.	6 % from switching point	IP65				
 20.007	688	Vacuum switch - electronic with analogue output	Monitoring of the continuous vacuum trend	1 x 1-5 V	0 - 30 % from switching point	IP50				
 20.040	689	Mini vacuum switch with digital output	Vacuum measurement at vacuum cup or ejector, Switch freely rotatable after mounting	1 x PNP	3 % from switching point	IP 40	Red LED			
 20.041	689			1 x NPN						
 20.020	690	Vacuum switch - electronic with analogue and digital output	Switch freely rotatable after mounting	1 x PNP 1 x 1-5 V	freely programmable	IP65	Keys	Yellow LED		
 20.021	691	Vacuum switch with two digital outputs	Monitoring of a pressure range possible, Switch freely rotatable after mounting	2 x PNP			freely programmable	IP65	Keys with menu navigation	Red / green LED 7-segment
 20.022	691		Round design, Monitoring of a pressure range possible, Switch freely rotatable after mounting							
 20.023	695	Pressure switch - electronic with two digital outputs	Monitoring of a pressure range possible, Switch freely rotatable after mounting							
 20.035	692	Vacuum switch - electronic with two digital outputs and analogue output	Monitoring of two switching points (digital) as well as of the continuous vacuum trend (analogue)	2 x PNP 1 x 1-5 V	IP40					
 20.036	692			2 x NPN 1 x 1-5 V						
 20.026 / 20.027	694	Vacuum pressure switch - electronic with two digital outputs	Small design Monitoring of a pressure window possible, 20.027 with plug-in connection for ejector or tubing line	1 x PNP	IP65	Self-learning via connection cable, PC or preset	Red / green LED			



# System monitoring | Vacuum switches

Vacuum switch - electromechanical

## Vacuum switch - electromechanical

With NO/NC function for DC- and AC-connection



### Product Description

- > An electrical signal is triggered when set vacuum value is reached
- > Switching point set via setscrew
- > Hysteresis is fixed
- > Standard vacuum connection via galvanised steel G1/8 screw-in port
- > Long service life due to high quality, robust design
- > Can be mounted in any position

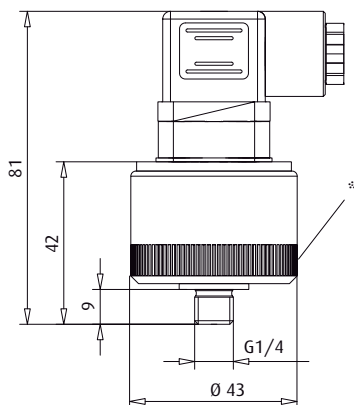
### Ordering notes

- > If desired the switching point can be preset

### Technical data

<b>Item no.</b>	<b>20.011</b>
Adjustable range [mbar]	20 - 800
Hysteresis	6 % switch point
Switching capacity DC up to 28 V [A]	max. 2
Switching capacity AC up to 250 V [A]	max. 2
Max. switching frequency [Hz]	200
Protection class	IP65
Suitable media	Filtered, oiled or unoled air or neutral gases
Operating temperature [°C]	-25 - 85
Weight [g]	120

### Dimensions



\* = Knurled screw

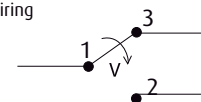
### Electrical connection / changeover contact



Setting screw  
M3 DIN 914

1. Completely screw in with hex-wrench
2. Apply switching vacuum
3. Ease screw until contact toggles

Wiring





### Vacuum switch - pneumatic

**NEW**



#### Product Description

- > Switch outputs a pneumatic signal when the set vacuum level is reached
- > No electrical connection required
- > Usable as switch element for pneumatic valves

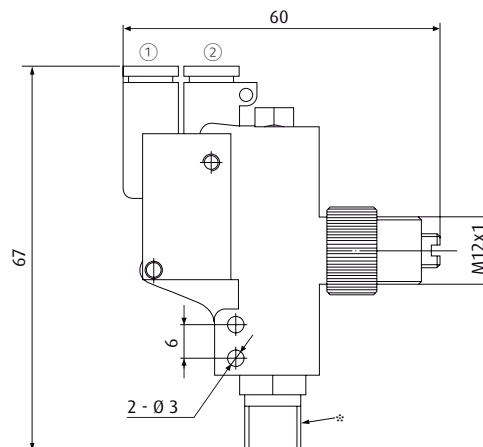
#### Notes

- > Vacuum switch 20.002 is part of the air-saving function for multi-chamber ejectors 65.340-LSE to 65.390-LSE

#### Technical data

Item no.	<b>20.002</b>
Adjustable range [mbar]	-950 - -150
Hysteresis [mbar]	120
Operating pressure [bar]	1.5 - 8
Operating principle	NC
Repeat accuracy [%]	± 5
Suitable media	Dry, unoled air and non-abrasive gases
Operating temperature [°C]	10 - 60
Weight [g]	44

#### Dimensions



① = Compressed air inlet, quick fitting  $\varnothing$  4 mm    ② = Compressed air output, quick fitting  $\varnothing$  4 mm    \* = G1/8-male



# System monitoring | Vacuum switches

Vacuum switch - electronic with analogue output

## Vacuum switch - electronic with analogue output



### Product Description

- > Analogue output enables monitoring of the continuous vacuum trend
- > Compact and light design for installation directly on the vacuum cup
- > LED display in plug connection

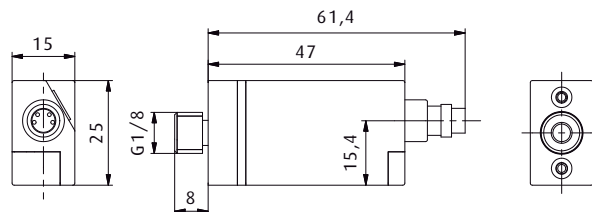
### Notes

- > As an option: Mounting rail 20.008-H incl. channel nut for mounting the vacuum switch, e.g. on FIPA SLine extrusions

### Technical data

Item no.	20.007
Adjustable range [mbar]	-999 - 0
Hysteresis	0 - 30 %
Analogue output [VDC]	1 - 5
Switching logic	Contact breaker (NC)
Response time [ms]	< 5
Thermal error	± 3 % from measuring range
Overpressure safety [bar]	3
Supply voltage [VDC]	18 - 30
Current consumption [mA]	< 20
Protection class	IP50
Suitable media	Dry, unoled air and non-abrasive gases
Operating temperature [°C]	0 - 50
Weight [g]	85
Electric connection	Plug M8x1, 4-pin
Suitable accessories	Mounting rail 20.008-H Connector cable 20.501 (p.717) Connector cable 20.502 (p.717)

### Dimensions





### Mini vacuum switch - electronic with digital output



Example: Mini vacuum switch 20.040 on ejector EBA.08H.2-A and flat vacuum cup Ø 40 mm

#### Product Description

- > Switch outputs a digital signal when a specific vacuum level is reached
- > Vacuum level is manually set with a potentiometer screw
- > Hysteresis is fixed
- > Red LED indicates set level reached
- > Space-saving installation on ejectors thanks to very small design

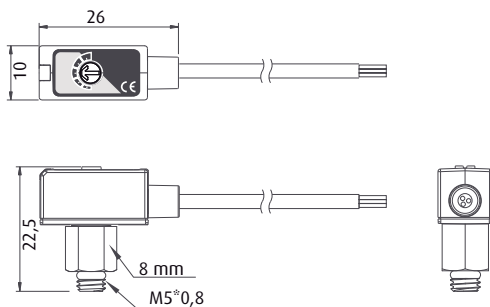
#### Ordering notes

- > Included in scope of delivery: Cable 1.5 meter, 3-pole, open wire

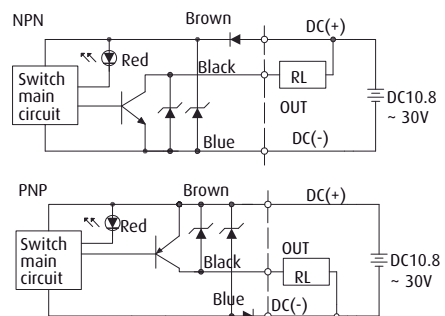
#### Technical data

Item no.	20.040	20.041
Adjustable range [mbar]	-990 - 0	-990 - 0
Hysteresis	3 % from default setting	3 % from default setting
Digital switching outputs	PNP	NPN
Response time [ms]	~ 1	~ 1
Repeat accuracy [%]	≤ ± 1 % from measuring range	≤ ± 1 % from measuring range
Overpressure safety [bar]	2	2
Supply voltage [VDC]	10.8 - 30	10.8 - 30
Max. Current consumption [mA]	10	10
Vacuum connection	M5	M5
Protection class	IP40	IP40
Suitable media	Filtered, oiled or unoled air or neutral gases	Filtered, oiled or unoled air or neutral gases
Operating temperature [°C]	0 - 60	0 - 60
Weight [g]	20	20

#### Dimensions



#### Wiring diagrams





# System monitoring | Vacuum switches

Vacuum switch - electronic with analogue and digital output

## Vacuum switch - electronic with analogue and digital output



### Product Description

- > Monitoring of vacuum levels e.g. in handling systems
- > Intelligent sensor with "teaching" feature
- > Suitable for all vacuum levels due to flexible setting of switching point and hysteresis
- > Small and robust
- > Easy operation
- > Protection class IP65 (no ventilation tube required)
- > Flexible mounting: Control panel can be rotated 360° after installation

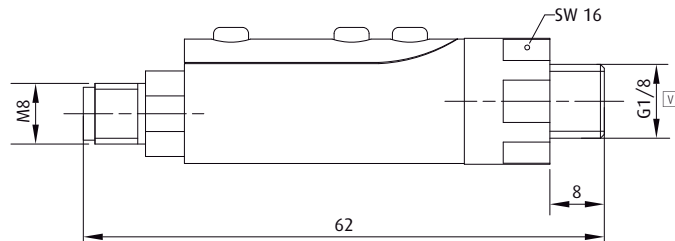
### Notes

- > Transient emissions: EN 61000-6-4:2007; EN 61326-2-3:2006
- > Interference resistance: EN 61000-6-2:2005; EN 61326-2-3:2006

### Technical data

Item no.	20.020
Measuring range [bar]	-1 - 0
Digital switching outputs	1x PNP (NO or NC)
Analogue output [V]	1 - 5
Repeat accuracy [%]	± 0.2 % from measuring range
Overpressure safety [bar]	6
Supply voltage [VDC]	11 - 30
Current consumption [mA]	< 25
Maximum switching current [mA]	125
Electric connection	Plug M8x1, 4-pin
Protection class	IP65
Suitable media	Dry, unoled air and non-abrasive gases
Operating temperature [°C]	0 - 50
Weight [g]	20
Suitable accessories	Connector cable 20.501 (p.717), Connector cable 20.502 (p.717), Adapter 20.511 (p.698), Adapter 20.523 (p.698), Adapter 20.522 (p.698), Wall clip 20.520 (p.700)

### Dimensions



∇ = Vacuum connection



### Vacuum switch - electronic with two digital outputs and display



#### Product Description

- > Monitoring of vacuum levels, e.g. in handling systems
- > Optimisation of cycle times to improve the economy of vacuum systems
- > Two freely adjustable digital outputs to set lower and upper threshold values
- > Additional analogue output
- > 7-segment LED-display
- > Protection class IP65 (no ventilation tube required)
- > Integrated reverse voltage protection
- > Compact, lightweight and robust design
- > Flexible mounting: 20.021 can be rotated 360° after installation

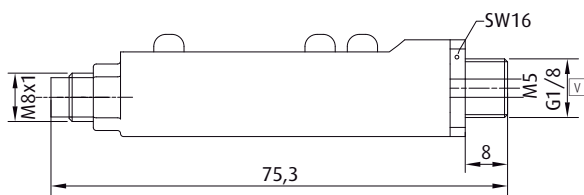
#### Notes

- > Transient emissions: EN 61000-6-4:2007; EN 61326-2-3:2006
- > Interference resistance: EN 61000-6-2:2005; EN 61326-2-3:2006
- > Vacuum values can be displayed and adjusted by the customer in following units: MPa, bar, inHg, mmHg

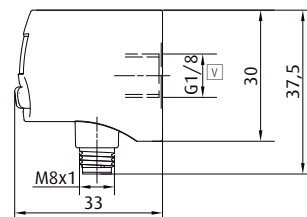
#### Technical data

Item no.	20.021	20.022
Measuring range [bar]	-1 - 0	-1 - 0
Digital switching outputs	2x PNP (NO or NC)	2x PNP (NO or NC)
Repeat accuracy [%]	± 0.2 % from measuring range	± 0.2 % from measuring range
Overpressure safety [bar]	6	6
Supply voltage [VDC]	11 - 30	11 - 30
Current consumption [mA]	< 55	< 55
Maximum switching current [mA]	125	125
Electric connection	Plug M8x1, 4-pin	Plug M8x1, 4-pin
Protection class	IP65	IP65
Suitable media	Filtered, oiled or unoled air or neutral gases	Filtered, oiled or unoled air or neutral gases
Operating temperature [°C]	0 - 50	0 - 50
Weight [g]	25	45
Suitable accessories	Connector cable 20.501, 20.502 (p.717), Adapter 20.522, 20.523, 20.511 (p.698), Wall clip 20.520 (p.700)	Connector cable 20.501, 20.502 (p.717), Mounting bracket 20.514 (p.699), Mounting bracket 20.515 (p.699)

#### Dimensions



20.021



20.022

= Vacuum connection





# System monitoring | Vacuum switches

Vacuum switch - electronic with two digital outputs and analogue output

## Vacuum switch - electronic with two digital outputs and analogue output



### Product Description

- > Monitoring of vacuum levels, e.g. in handling systems
- > Optimisation of cycle times to improve the economy of vacuum systems
- > Two freely adjustable digital outputs to set lower and upper threshold values
- > Analogue output for continuous monitoring of vacuum level
- > Stable measurement even with short fluctuations of the supply pressure due to anti-chattering function
- > 7-segment 3 digit LED display
- > Integrated reverse voltage protection
- > Compact and lightweight design

### Notes

- > Vacuum values can be displayed and adjusted by the customer in following units: kPa, kgf/cm<sup>2</sup>, bar, psi, inHg, mmHg

### Ordering notes

- > Connector cable 0.3 meter with plug (M12 5-pin, straight) included in delivery
- > Connector cable optional
  - 20.508: M12, 5-pin, straight, open wires, 2 m
  - 20.509: M12, 5-pin, 90°, open wires, 2 m

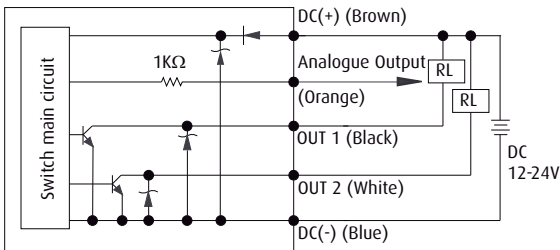
### Technical data

Item no.	20.035	20.036
Measuring range [bar]	-1 - 0	-1 - 0
Digital switching outputs	2 x PNP	2 x NPN
Analogue output [V]	1 - 5	1 - 5
Repeat accuracy [%]	≤ ± 0.2 % from measuring range	≤ ± 0.2 % from measuring range
Overpressure safety [bar]	3	3
Supply voltage [VDC]	10.8 - 30	10.8 - 30
Current consumption [mA]	≤ 55	≤ 55
Maximum switching current [mA]	80	80
Electric connection	Plug M12x1, 5-pin	Plug M12x1, 5-pin
Protection class	IP40	IP40
Suitable media	Dry, unoled air and non-abrasive gases	Dry, unoled air and non-abrasive gases
Operating temperature [°C]	0 - 50	0 - 50
Weight [g]	35	35
Suitable connector cable	20.508 (p.717) 20.509 (p.717)	20.508 (p.717) 20.509 (p.717)

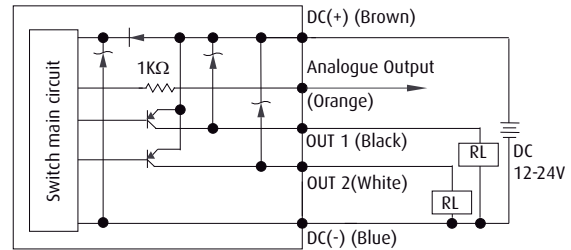


### Wiring diagrams

20.035 (NPN)

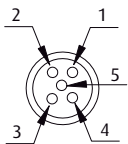


20.036 (PNP)



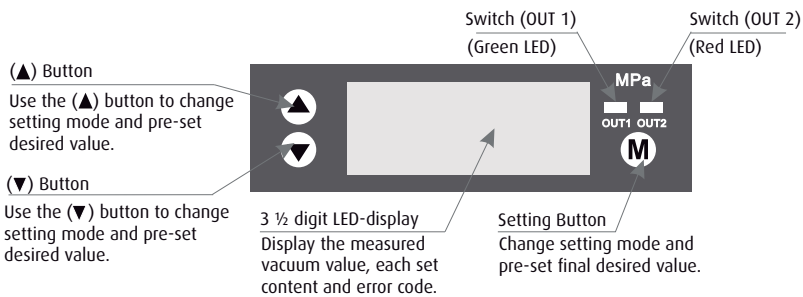
### Plug assignment

20.035 and 20.036

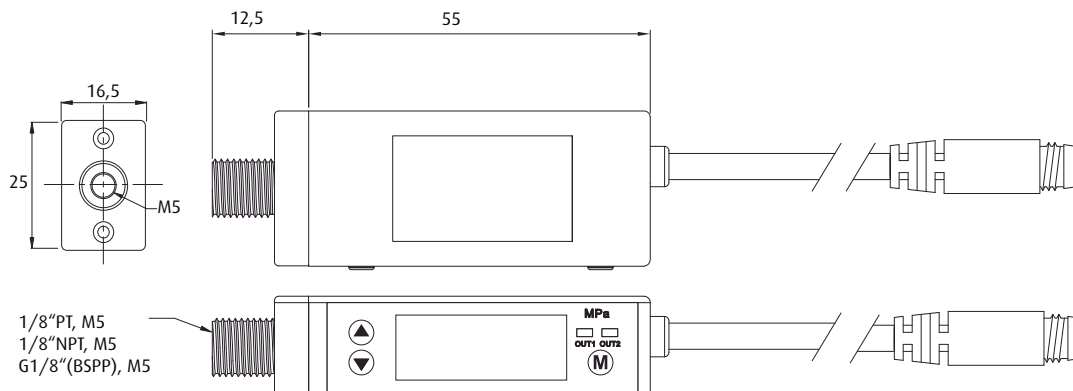


- (1) Brown (+)
- (2) White (OUT 2)
- (3) Blue (-)
- (4) Black (OUT 1)
- (5) Orange (analogue OUT 1-5)

### Panel instructions



### Dimensions





# System monitoring | Vacuum / Pressure switches

Vacuum / Pressure switches - electronic with digital output

## Vacuum / Pressure switches - electronic with digital output

Compact design



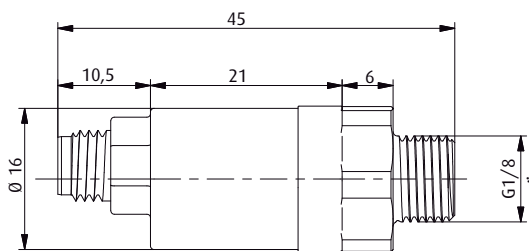
### Product Description

- > Digital monitoring of vacuum and pressure in handling and automation systems
- > Small, lightweight and compact
- > Transistor output
- > Simple programming of the switching point, hysteresis and switching logic NC/NO
- > Monitoring of a pressure window is possible
- > Locking feature
- > LED operation and status indication
- > Item 20.027: With fitting pipe  $\varnothing$  6 mm to be inserted into tubing or ejectors (e.g. inline or base ejectors)

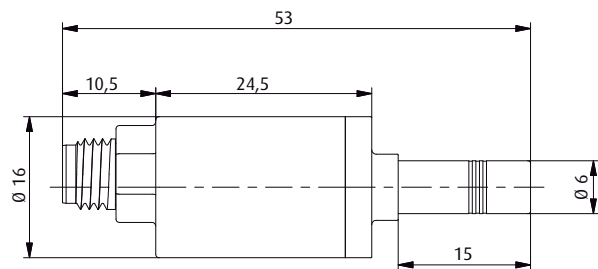
### Technical data

Item no.	20.026	20.027
Adjustable range [mbar]	-999 - 999	-999 - 999
Hysteresis	0 - 100 %	0 - 100 %
Digital switching outputs	PNP Transistor	PNP Transistor
Switching logic	NO/NC	NO/NC
Repeat accuracy [%]	$\pm 0.2$ % from measuring range	$\pm 0.2$ % from measuring range
Supply voltage [VDC]	9 - 30 (reverse polarity, short circuit protected)	9 - 30 (reverse polarity, short circuit protected)
Current consumption [mA]	< 20	< 20
Maximum switching current [mA]	250	250
Voltage at the output	ca. $U_b - 1,5$ V	ca. $U_b - 1,5$ V
EMI / EMC	According to EU-directive 2004 / 108 / EG	According to EU-directive 2004 / 108 / EG
Protection class	IP65	IP65
Suitable media	Dry, unooled air and non-abrasive gases	Dry, unooled air and non-abrasive gases
Operating temperature [°C]	-10 - 80	-10 - 80
Electric connection	Plug M8x1, 4-pin	Plug M8x1, 4-pin
Suitable accessories	Connector cable 20.501 (p.717) Connector cable 20.502 (p.717) Adapter 20.511 (p.698), Adapter 20.522 (p.698) Adapter 20.523 (p.698)	Connector cable 20.501 (p.717) Connector cable 20.502 (p.717) Adapter 20.511 (p.698), Adapter 20.522 (p.698) Adapter 20.523 (p.698)

### Dimensions



20.026



20.027

\* = M5-female



### Pressure switches - electronic with two digital switching outputs



Diagram with installation kit 20.515 for control panel installation

#### Product Description

- > Intelligent sensor for pressure monitoring
- > Adjustable with "teaching" feature
- > Switching point and hysteresis can be programmed as desired
- > Simple operation using button functions and LCD display
- > Small and robust

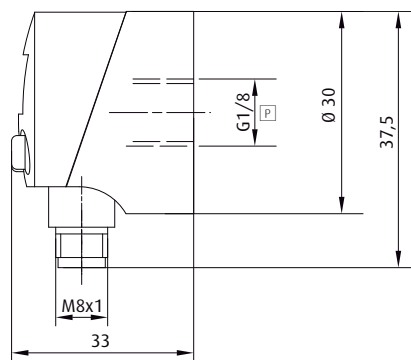
#### Notes

- > Transient emissions: EN 61000-6-4:2007; EN 61326-2-3:2006
- > Interference resistance: EN 61000-6-2:2005; EN 61326-2-3:2006
- > Vacuum values can be displayed and adjusted by the customer in following units: MPa, bar, psi

#### Technical data

Item no.	<b>20.023</b>
Measuring range [bar]	0 - 10
Digital switching outputs	2x PNP (NO/NC)
Repeat accuracy [%]	± 0.2 % from measuring range
Overpressure safety [bar]	0.2
Supply voltage [V]	11 - 30
Current consumption [mA]	< 55
Maximum switching current [mA]	125
Electric connection	Plug M8x1, 4-pin
Protection class	IP65
Suitable media	Filtered, oiled or unoled air or neutral gases
Operating temperature [°C]	0 - 50
Weight [g]	40
Suitable accessories	Connector cable 20.501 (p.717), Connector cable 20.502 (p.717), Mounting bracket 20.514 (p.699), Mounting bracket 20.515 (p.699)

#### Dimensions



 = Compressed air connection



### Vacuum - and pressure gauge

With red-green indication



Vacuum gauge



Pressure gauge

### Product Description

- > Visual monitoring of the vacuum and/or pressure level in gripper systems
- > Standardised design for flexible use in vacuum and/or pressure systems

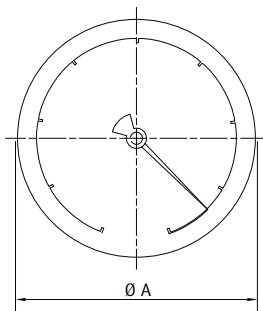
### Technical data

Item no.	Measuring range [bar]	Measuring range [mbar]	Connection	Weight [g]
91.001	--	0 - -1,000	At the rear	45
91.001-R	--	0 - -1,000	At the rear	40
91.003	--	0 - -1,000	At the rear	90
91.000	--	0 - -1,000	At the bottom	47
91.002	--	0 - -1,000	At the bottom	92
91.004	--	0 - -1,000	At the bottom	975
91.013	1 - 10	--	At the bottom	90
91.014	1 - 10	--	At the rear	90

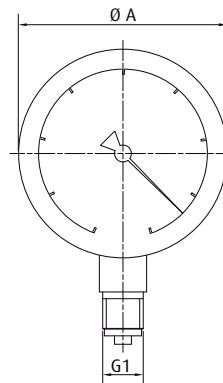
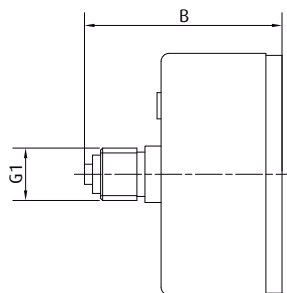
### Dimensions

G1	Ø A [mm]	B [mm]	C [mm]
G1/8	40	41	--
R1/8	40	41	--
G1/4	63	49	--
G1/8	40	26.5	55.5
G1/4	63	27.5	86
G1/2	160	50	200
G1/4	63	27.5	86
G1/4	63	27.5	86

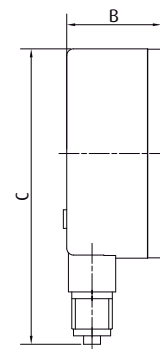
### Dimensions



91.001 | 91.001-R | 91.003 | 91.014



91.000 | 91.002 | 91.004 | 91.013





### Digital pressure gauge - connection at the bottom



Diagram with installation kit 20.515 for front panel mounting

#### Product Description

- > Visual monitoring of the vacuum and/or pressure level in gripper systems
- > Calibration feature
- > Very compact
- > LCD display with selectable pressure units
- > Robust aluminium housing

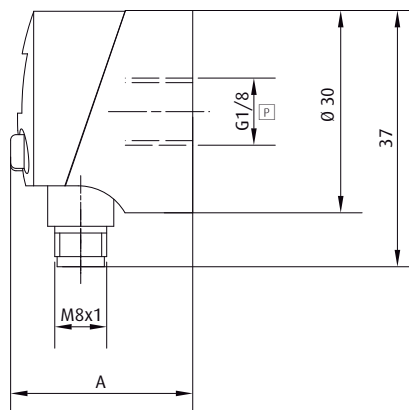
#### Notes

- > Vacuum values can be displayed and adjusted by the customer in following units: MPa, bar, psi

#### Technical data

Item no.	91.012
Measuring range [bar]	-1 - 1
Overpressure safety [bar]	5
Supply voltage [VDC]	10.8 - 30 (with reverse current protection)
Current consumption [mA]	< 30
Response time [ms]	2.5
Insulation resistance [mOhm]	> 100 (500 VDC)
Electric connection	Plug M8x1, 4-pin
Mounting position	any
EMI / EMC	According to EN 50081-1 / 50082-2
Operating temperature [°C]	-10 - 0
Weight [g]	45
Suitable accessories	Connector cable 20.501 (p.717), Connector cable 20.502 (p.717), Mounting bracket 20.514 (p.699), Mounting bracket 20.515 (p.699)

#### Dimensions



= Pressure / Vacuum connection



# System monitoring | Accessories

Adapter and mounting brackets for vacuum switches and pressure switches

## Adapter and mounting brackets for vacuum switches and pressure switches



20.522 | 20.523



20.511

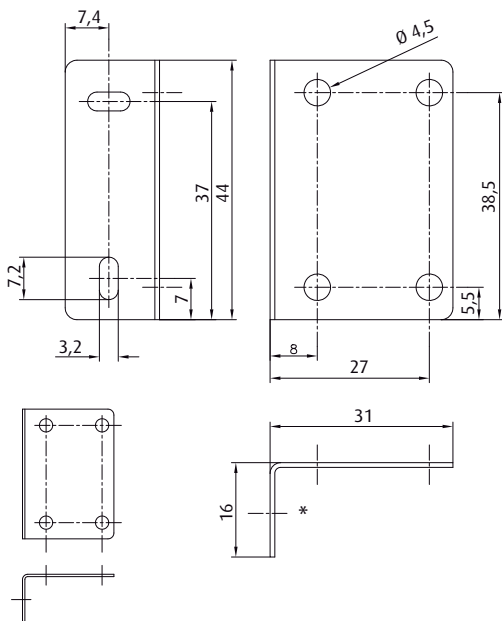
### Ordering notes

> Mounting material included in scope of delivery

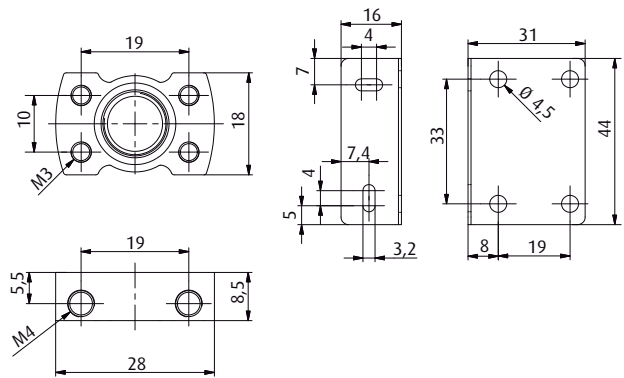
### Technical data

Item no.	Description	Suitable for vacuum / pressure switches
20.511	Push-In Fitting G1/8, tubing- $\varnothing$ 6 mm with mounting angle	20.020, 20.021, 20.026, 20.027
20.522	Adapter with angle bracket for flange assembly	20.020, 20.021, 20.026, 20.027
20.523	Adapter for flange assembly	20.020, 20.021, 20.026, 20.027

### Dimensions



20.511



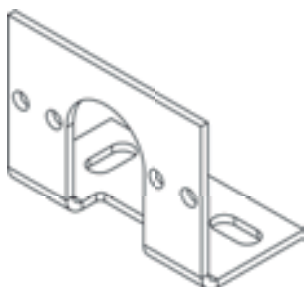
20.522 | 20.523

\* = Push-In Fitting G1/8, tubing- $\varnothing$  6 mm not displayed



### Mounting frame and brackets for front panel mounting

**NEW**



Example application: Gauge 20.023 with installation kit 20.515

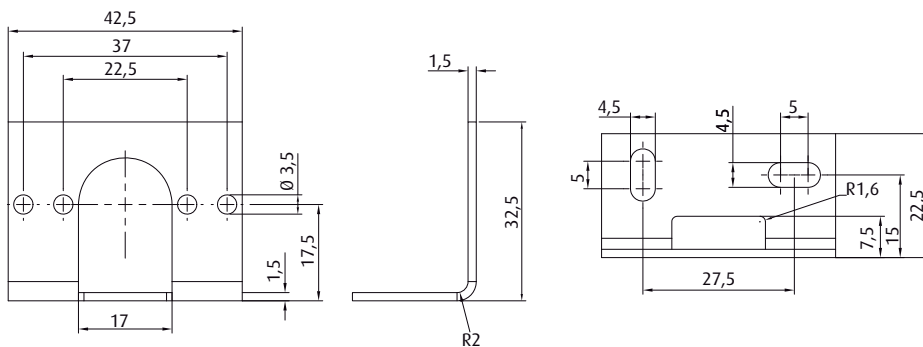
#### Ordering notes

> Mounting material included in scope of delivery

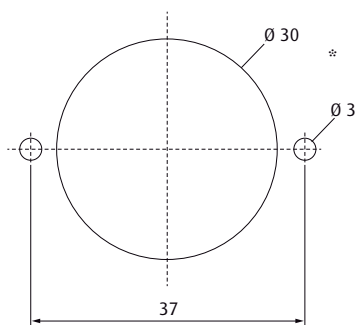
#### Technical data

Item no.	Description	Suitable for vacuum / pressure switches
20.514	Bracket	20.022, 20.023, 91.012
20.515	Mounting frame with bracket	20.022, 20.023, 91.012

#### Dimensions



20.514



20.515

\* = Installation frame drilling dimensions





## System monitoring | Accessories

Clip 16 mm for wall mounting

### Clip 16 mm for wall mounting

Suitable for vacuum switches 20.020 and 20.021

**NEW**



#### Notes

> Mounting via through hole  $\varnothing$  5 mm located centric at bottom side

#### Technical data

Item no.	Suitable for vacuum / pressure switches
20.520	20.020, 20.021