

HEIGHT ADJUSTABLE WORKSTATIONS

Always at the right height.

Ergonomic design represents a particular challenge in workplace design, as it significantly influences the health, performance, endurance, concentration and not least the motivation of the workers.

The height-adjustable MiniTec workstations are also available hydraulic and electric height adjustment. In addition to a se-

lection of standard tables with fixed dimensions, the tables can also be freely configured and easily supplemented with portal structures if required.

HYDRAULICALLY ADJUSTABLE
WORKSTATIONS

Example application - stroke 300 (hydraulic)

ELECTRICALLY HEIGHT ADJUSTABLE
WORKSTATIONS

Example application - stroke 400 (electrical)

- The base frame of the hydraulically height-adjustable tables consists of the profile 45x90 F and 45x45 F, anodised E6/EV1.
- To compensate for uneven floors (+/- 10 mm), the base frames are equipped with PA articulated feet, M10 spindle Ø80mm disc.
- A large selection of Tabletops can be found page373
- The height adjustment is available with either 300 or 400 mm stroke. Lifting speed: 5 mm / crank rotation.

PORTAL CONSTRUCTIONS



Portal construction

Electr. height adjustable workstation
with portal

- Thanks to the modular principle, both hydraulically and electrically height-adjustable worktables can be quickly and easily supplemented with portal structures if required.

HEIGHT ADJUSTABLE WORKSTATIONS

Hydraulically height adjustable workstations

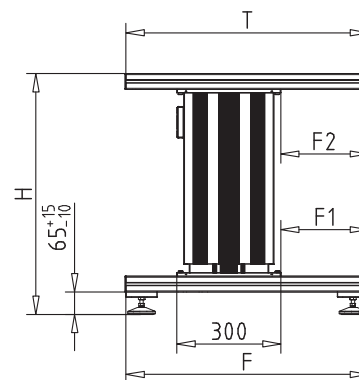
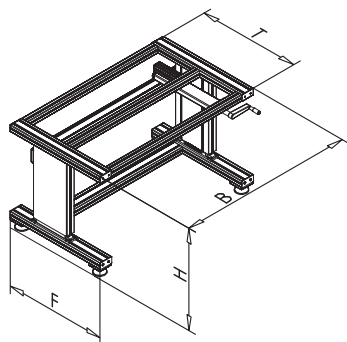


Table - stroke 300



Sample application

Hydraulically height adjustable tables					
		Preferred dimensions in mm			
Width (B)	variable	1000	1200	1500 U/min	2000
Depth (T)	variable	700			
Height (H)		695 (stroke 300) / 795 (stroke 400)			
F	variable	700			
F1	variable	253			
F2	variable	253			
max. Load [N]	variable	1500	1000	800	1200
Hydraulically height adjustable table - stroke 300	32.0170/0	32.0170/1	32.0170/2	32.0170/3	32.0170/4
Hydraulically height adjustable table - stroke 400	32.0171/0	32.0171/1	32.0171/2	32.0171/3	32.0171/4



- The base frame of the hydraulically height adjustable tables consists of the profile 45x90 F and 45x45 F, anodised E6/EV1.
- To compensate for uneven floors (+/- 10 mm), the base frames are equipped with PA articulated feet, M10 spindle Ø80mm disc.
- The racks are supplied without tabletops and the necessary mounting brackets for tabletops.
- A large selection of Tabletops can be found page 373
- The height adjustment is available with either 300 or 400 mm stroke. Lifting speed: 5 mm / crank rotation.
- The hand pump with retractable hand crank is mounted under the Tabletop.

HEIGHT ADJUSTABLE WORKSTATIONS

Electrically height adjustable workstations

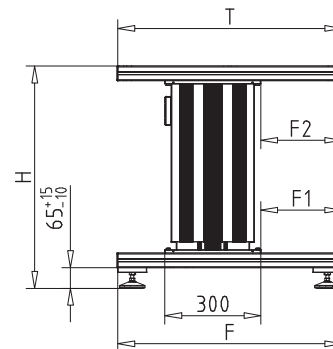
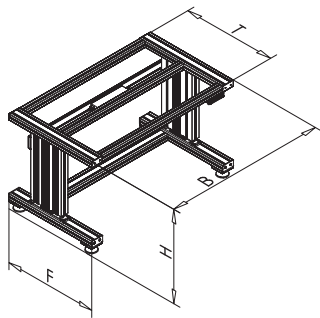


Stroke 300 mm



Sample application

Electrically height-adjustable tables					
		Preferred dimensions in mm			
Width (B)	variable	1000	1200	1500	2000
Depth (T)	variable	700			
Height (H)		695 (stroke 300) / 795 (stroke 400)			
F	variable	700			
F1	variable	253			
F2	variable	253			
max. Load [N]	variable	1500	1000	800	1200
Electrically height-adjustable table - stroke 300	32.0172/0	32.0172/1	32.0172/2	32.0172/3	32.0172/4
Electrically height-adjustable table - stroke 400	32.0173/0	32.0173/1	32.0173/2	32.0173/3	32.0173/4



- The base frame of the electrically height-adjustable tables consists of the profile 45x90 F and 45x45 F, anodized E6/EV1.
- To compensate for uneven floors (+/- 10 mm), the base frames are equipped with PA articulated feet, M10 spindle Ø80mm disc.
- The racks are supplied without Tabletops and the necessary mounting brackets for Tabletops.
- A large selection of Tabletops can be found page373
- The height adjustment is available with either 300 or 400 mm stroke. The max. Lifting speed is 9 mm/s.
- Operation is via a manual switch with 3-digit display, two buttons for up / down function and four storable positions.

Portal constructions

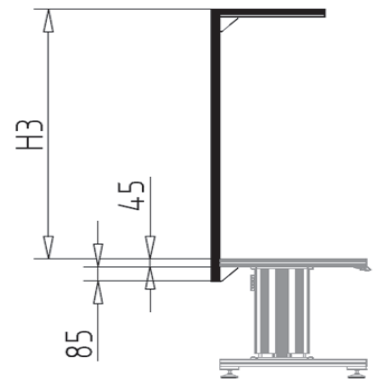
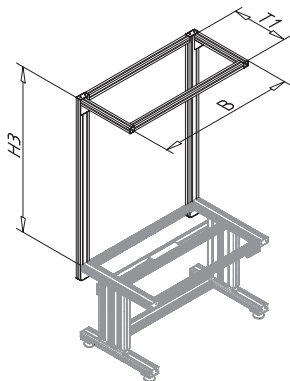


Portal construction



Sample application

Portal constructions					
Width (B)	variable	Preferred dimensions in mm			
		1000	1200	1500	2000
Depth (T1)	variable	500			
Height (H3)	variable	1455			
Portal constructions	320174/0	320174/1	320174/2	320174/3	320174/4



- Thanks to the modular design principle, both the hydraulically and electrically height-adjustable worktables can be quickly and easily supplemented with portal structures if required.
- The portal structures can either be freely configured or ordered in predefined standard dimensions.

The ergonomically optimal working height for every application

The workers expect that their desks and the tools and objects to be gripped are adapted to their individual needs and arranged at the correct height. A fatigue or even damage to the body must be avoided from the outset. In order to meet this requirement - regardless of the respective application - MiniTec offers

three different flexible lift systems made of colourless anodized aluminum profiles with different lifting and installation heights at.

Hydraulic lift system „HLS 1G“

Electric lift system „ELS 1G“

Electric lift system „ELS“



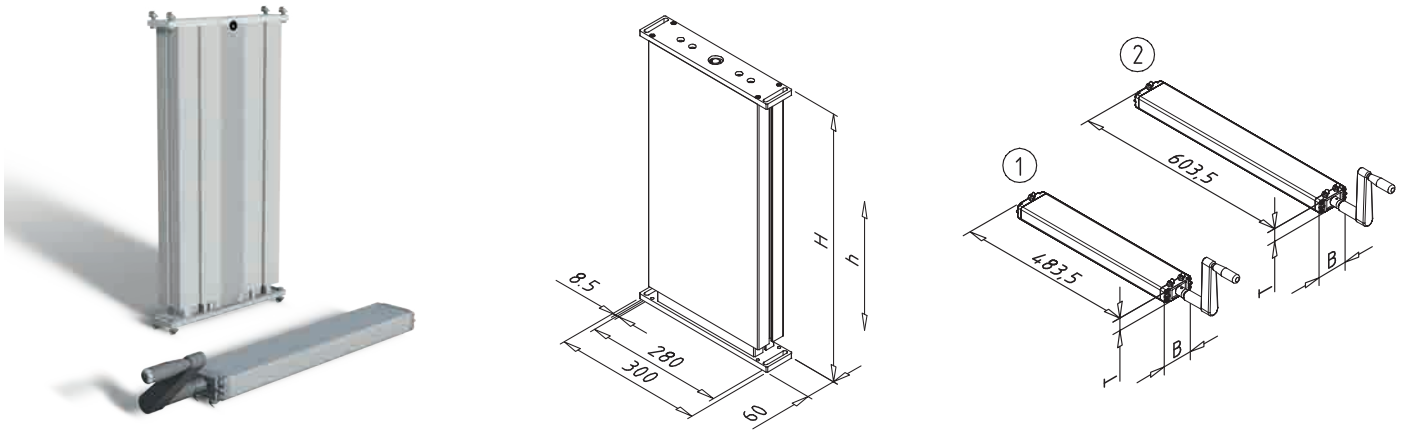
	HLS 1G		ELS 1G		ELS L		ELS S	
	Stroke 300	Stroke 400	Stroke 300	Stroke 400	Stroke 350	Stroke 400	Stroke 350	Stroke 400
Max. system load capacity [N] for 2-3 columns	3000		6000		3200		6400	
Pressure force per column [N]	1500		3000		1600		3200	
Tensile force dyn/stat [N]	0		50/500		800		1600	
Installation height	540	640	540	640	545	595	545	595
Number of fixing grooves	4		4		6		6	
Suitable for mobile solutions	yes		no		no		no	
Lifting speed	5mm per turn of the crank		9 mm/s		9 mm/s		9 mm/s	
Synchronous operation possible up to max.	10 lifting columns		12 lifting columns		12 lifting columns		12 lifting columns	
Flexible number of columns by user	no		yes*		no		no	
Number of lifting columns is automatically detected by the controller	-		yes*		no		no	

* 1 to 3 columns are automatically recognized - more than 3 columns on request

APPLICATIONS

- Height adjustment of individual workplaces & complete packaging, assembly and manufacturing equipment as well as office units & furniture in general, material supply, fixtures

Hydraulic lift system „HLS 1G“



Hydraulic lift system HLS 1G							
Type	Stroke h	Installation height H	Pump type	Number of columns			
				1	2	3	4
HLS-300S-1G	300 mm	540 mm	1	HLS-300S/540-1000-1G-1	HLS-300S/540-3000-1G-2	HLS-300S/540-3000-1G-3	HLS-300S/540-3000-1G-4
				Part no. 32.0182/1	Part no. 32.0182/2	Part no. 32.0182/3	Part no. 32.0182/4
HLS-400S-1G	400 mm	640 mm	2	HLS-400S/640-1000-1G-1	HLS-400S/640-3000-1G-2	HLS-400S/640-3000-1G-3	HLS-400S/640-3000-1G-4
				Part no. 32.0183/1	Part no. 32.0183/2	Part no. 32.0183/3	Part no. 32.0183/4
Max. system load capacity				1000 N	3000 N	3000 N	3000 N
Pump width/depth				85/35 mm		120/60 mm	
Higher loads and more than 4 lifting columns on request							

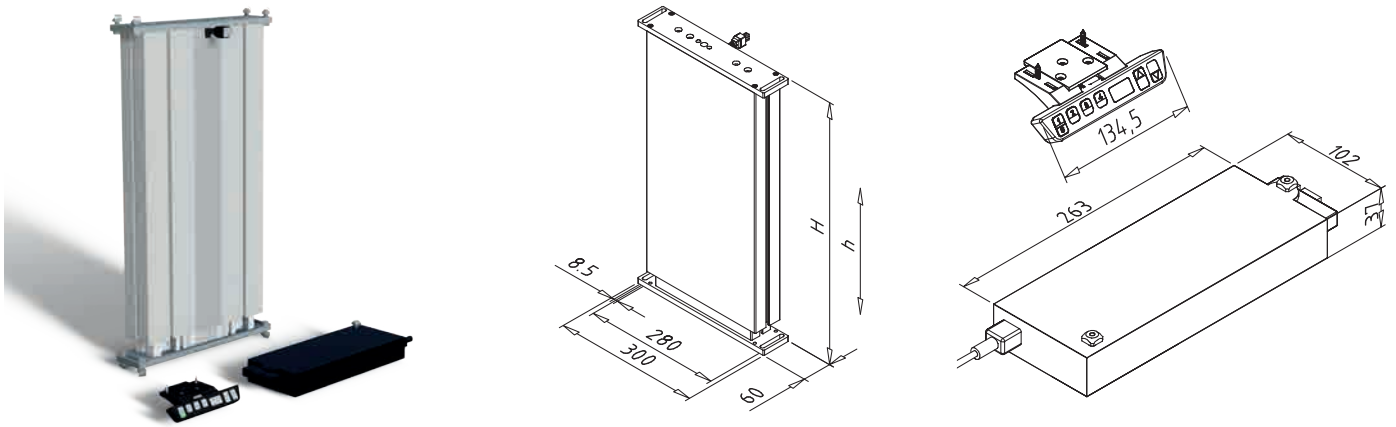
APPLICATION

- Height adjustment of individual workplaces & complete packaging, assembly and manufacturing equipment as well as office units & furniture in general, material supply, fixtures, material supply

TECHNICAL DATA

- Anodised aluminum profile E6 / EV1 with plastic glides
- 4 mounting grooves on 3 sides allow on total
- Column length attachment of trusses, clipboards as well as attachments and superstructures
- Lifting speed: 5 mm each turn of the crank
- max. static bending moment: 1500 Nm
- max. dynamic bending moment: 150 Nm Single-acting hydraulics: restoring force necessary!
- Restoring force = [(1.5kg x hose length in m) + 6kg] x number of columns
- Hose length per column: 4m
- Installation position: only pressing. The system must not be loaded with tension (if necessary, provide for transport lock)
- Synchronous operation: up to max. 10 columns possible
- Ambient temperature: + 10 ° to + 40 ° C
- IP 30

Electric lift system „ELS 1G“



Electric lift system ELS 1G					
Type	Stroke h	Installation height H	Anzahl der Säulen		
			1	2	3
ELS-300-1G	300 mm	540 mm	ELS-300/540-3000-1G-1	ELS-300/540-6000-1G-2	ELS-300/540-6000-1G-3
			Part no. 32.0180/1	Part no. 32.0180/2	Part no. 32.0180/3
ELS-400-1G	400 mm	640 mm	ELS-400/640-3000-1G-1	ELS-400/640-6000-1G-2	ELS-400/640-6000-1G-3
			Part no. 32.0181/1	Part no. 32.0181/2	Part no. 32.0181/3
Max. system load capacity			3000 N	6000 N	6000 N
Higher loads and more than 3 columns on request					

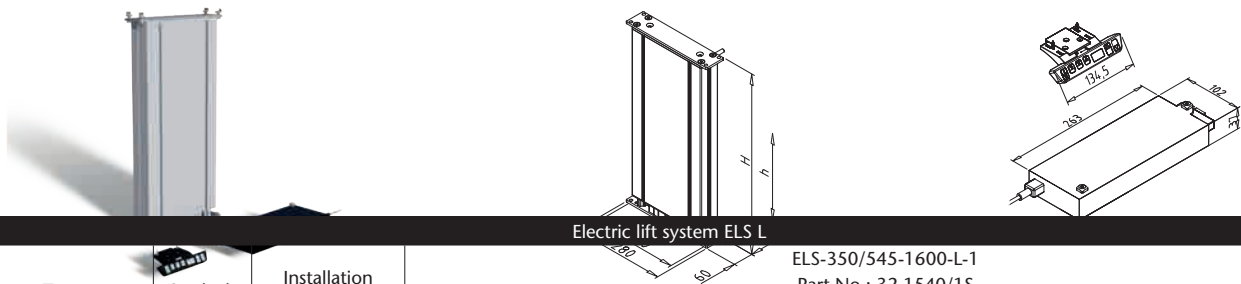
APPLICATION

- Height adjustment of individual workplaces & complete packaging, assembly and manufacturing equipment as well as office units & furniture in general

TECHNICAL DATA

- Anodised aluminum profile E6 / EV1 with plastic glides
- 4 mounting grooves on 3 sides make it possible to mount trusses, clipboards as well as attachments and superstructures over the entire leg length
- Lifting speed: 9mm/s
- Drive: Internal DC drive with built-in limit switches and 2 Hall sensors
- max. bending moments / column: in the longitudinal direction 1200 Nm static, 450 Nm dynamic; in the transverse direction 550 Nm static, 200Nm dynamic
- max. tensile load/column: 500N static, 50N dynamic
- Cable feed per column: L=1700mm
- Cable outlet on the large profile on the inside
- IP 30
- Duty cycle: 10 % (S3) during periodic operation and max. load (2 min. ON /18 min. OFF)
- Installation position: preferably pushing
- Synchronous operation: up to max. 12 columns possible
- Ambient temperature: +10° bis +40°C
- Control system: Synchronous control for controlling up to 3 columns „Plug & Play“ (bis zu 12 auf Anfrage)
- Manual switch: with display and memory function
- Items supplied: Electric lifts with mounting hardware, synchronous control and manual switch
- Accessories: motor extension cable, Part no.: 27.0109/0
Manual switch extension cable, Part no.: 27.0110/0

Electric lift system „ELS”



Electric lift system ELS L					
Type	Stroke h	Installation height H	ELS-350/545-1600-L-1 Part No.: 32.1540/1S		
			1	2	3
ELS-350 L	350 mm	545 mm	ELS-350/545-1600-L-1	ELS-350/545-3200-L-2	ELS-350/545-3200-L-3
			Part no. 32.1540/1	Part no. 32.1540/2	Part no. 32.1540/3
ELS-400 L	400 mm	595 mm	ELS-400/595-1600-L-1	ELS-400/595-3200-L-2	ELS-400/595-3200-L-3
			Part no. 32.1510/1	Part no. 32.1510/2	Part no. 32.1510/3
Max. system load capacity			1600 N	3200 N	3200 N
Higher loads and more than 3 columns on request					

Electric lift system ELS S - for higher loads					
Type	Stroke h	Installation height H	ELS-350/545-1600-L-1 Part No.: 32.1540/1S		
			1	2	3
ELS-350 S	350 mm	545 mm	ELS-350/545-3200-S-1	ELS-350/545-6400-S-2	ELS-350/545-6400-S-3
			Part no. 32.1530/1	Part no. 32.1530/2	Part no. 32.1530/3
ELS-400 S	400 mm	595 mm	ELS-400/595-3200-S-1	ELS-400/595-6400-S-2	ELS-400/595-6400-S-3
			Part no. 32.1500/1	Part no. 32.1500/2	Part no. 32.1500/3
Max. system load capacity			3200 N	6400 N	6400 N
Higher loads and more than 3 columns on request					

APPLICATION

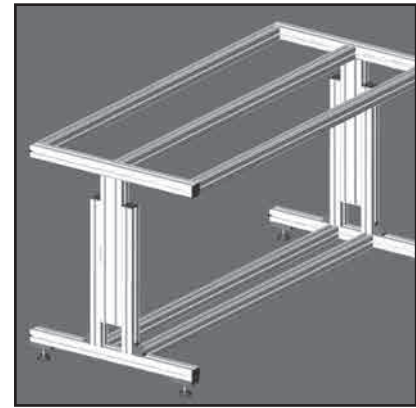
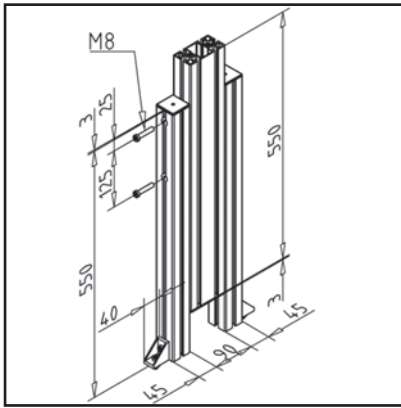
- Height adjustment of individual workplaces & complete packaging, assembly and manufacturing equipment as well as office units & Furniture in general - for ergonomically optimal working height

TECHNICAL DATA

- Anodised aluminum profile E6 / EV1 with plastic glides
- 4 mounting grooves on 3 sides make it possible to mount trusses, clipboards as well as attachments and superstructures over the entire leg length
- Lifting speed: 9mm/s
- Drive: Internal DC drive with built-in limit switches and 2 Hall sensors
- Max. Bending moments / column: in the longitudinal direction 1200 Nm static, 500 Nm dynamic; in the transverse direction 450 Nm static, 255Nm dynamic
- Max. tensile load/column: 500N static, 50N dynamic
- Cable supply per column: L=1200mm;
- Cable outlet on large profile on the inside
- IP 30 Duty cycle: 10% (S3) for periodic operation and max. Load (2 min. ON / 18 min. OFF)
- Installation position: preferably pushing
- Synchronous operation: up to max. 12 columns possible
- Ambient temperature: + 10 ° to + 40 ° C
- Control: Synchronous control for up to 3 columns „Plug & Play” (up to 12 on request)
- Handset: Handset with display and memory function
- Scope of delivery: Electric lifts with fixing material, synchronous control and handset
- Accessories: Motor extension cable, part no.: 32.0042/0
Handset extension cable, part no.: 27.0110/0

HEIGHT SETTING FOR WORKTABLE

Part no. 32.0335/0



TECHN. DATA / ITEMS SUPPLIED

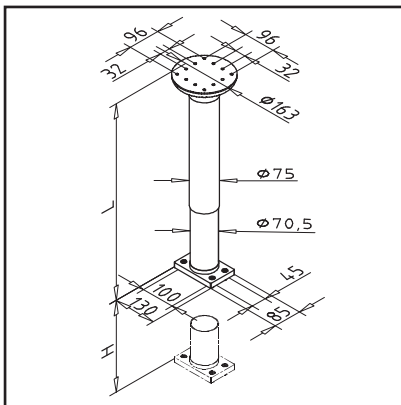
- from profile 45x45 F and 45x90 F, anodized E6/EV1
- Installation dimension: 553mm
- Adjustable range: 385mm
- ESD-compatible **part no. 32.0335/6**
- 1x height adjustment fully assembled.
- Weight = 3.192 kg/piece

APPLICATIONS

- Simple height-adjustment through double profiles
- Adjustable through release of the screwed fastening

PNEUMATIC LIFT SYSTEM PLS - 415

Part no. 32.0360/0



TECHN. DATA / ITEMS SUPPLIED

- With adapter plate at the bottom and fastening material
- Diameter 75mm
- Lifting capacity: 120 N
- Stroke (H): 415mm
- Installation dimension (L) retracted: 640mm
- Optionally also **part no. 32.0361/0**
Stroke (H): 225 mm
Installation dimension (L): 450 mm
- Weight = 5.383 kg/piece

APPLICATIONS

- For raising and lowering the work tables and other equipment
- Activation / release: Bowden cable L=280mm

ASSEMBLY

- Install to the profile groove with supplied hardware