

SCREWDRIVING
AND FASTENING
SYSTEMS WITH
AUTOMATIC FEEDING

STÖGER
AUTOMATION

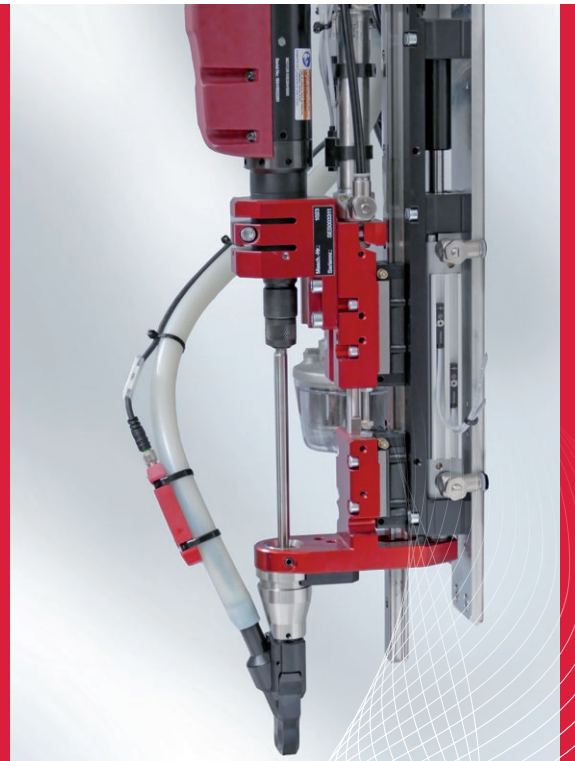
SEL series

Automatic screwdrivers
with automatic feeding



The screwdriving units in the SEL series are attractive thanks to their robust nature, cost-effectiveness, and their short design thanks to a sliding carrier layout. They may be used universally and in any screwing position: at manual workstations, transfer systems, rotary table systems, positioning axes, and robots.

For consistent quality, all screwing parameters and the screwing results (OK/NOK) may be queried and documented. Especially in the high torque range up to 100 Nm, the SEL is the screwdriving system of choice. The simple yet reliable design contributes to the system's easy servicing. The downtime is reducing to near zero. This provides an exceptional high level of availability.



For screwing positions that are hard to reach, the screwdriving unit is available with a vacuum module.

THE ADVANTAGES AT ONE GLANCE:

- + Compact layout
- + Automatic feeding of the screws
- + Free selection of the drive: pneumatic or electric with torque transducer or current consumption
- + Tool change < 20 sec.
- + Automatic screw discarding in case of bad screws or incorrect boreholes
- + Monitoring and documentation of torque, speed, screwing depth

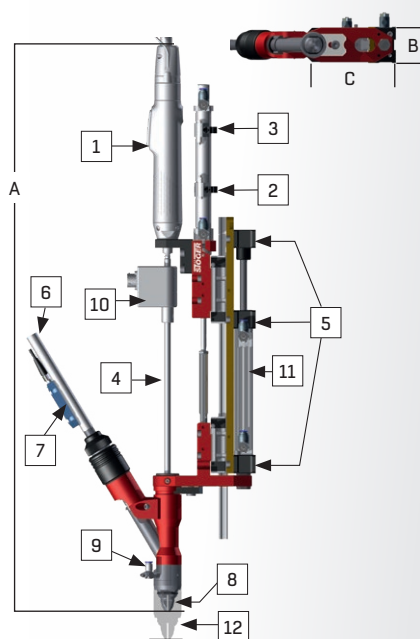
Technical data

	SEL 21	SEL 100	SRL 21	SRL 100	SRV 21	SRV 100
Screw head \varnothing max.	5 - 17 mm*	8 - 20 mm*	5 - 17 mm*	8 - 20 mm*	5 - 17 mm*	8 - 20 mm*
Screw size	M2 - M8*	M5 - M12*	M2 - M8*	M5 - M12*	M2 - M8*	M5 - M12*
Torque (Nm)	0,2 - 20 Nm	5 - 100 Nm	0,2 - 20 Nm	5 - 100 Nm	0,2 - 20 Nm	5 - 100 Nm
Rotational speed (depending on drive)	50 - 2,500 rpm	50 - 2,500 rpm	50 - 2,500 rpm	50 - 2,500 rpm	50 - 2,500 rpm	50 - 2,500 rpm
Feed stroke	Adjustable 0 - 80 mm	80 mm	-	-	Overstroke up to approx. 120 mm	Overstroke up to approx. 120 mm
Vacuum module	-	-	-	-	yes	yes
Suitable for robot adaptation	yes	yes	yes	yes	yes	yes
Contact pressure	40 - 180 N	100 - 250 N	40 - 180 N	100 - 250 N	40 - 180 N	100 - 250 N
A (mm)	from 600 mm**	from 700 mm**	from 600 mm**	from 700 mm**	from 700 mm**	from 800 mm**
B (mm)	52 mm	80 mm	52 mm	80 mm	52 mm	80 mm
C (mm)	120 mm	155 mm	90 mm	135 mm	90 mm	135 mm

* Standard; other values possible **The length of the unit varies depending on drive, work piece and screw dimension

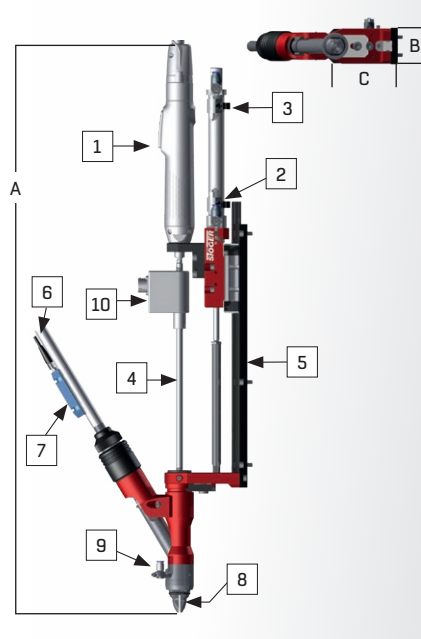
Modules

SEL



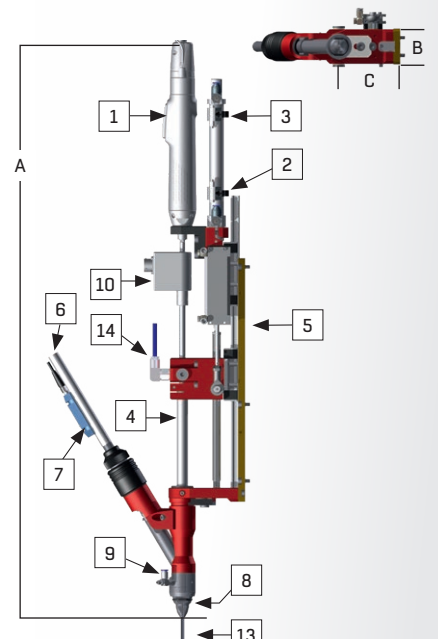
- 1 Drive (electric or pneumatic)
- 2 Feedback indicator
- 3 Depth sensor
- 4 Screwdriver tool
- 5 Mounting surface

SRL



- 6 Feed tube
- 7 Screw loading control
- 8 Nose piece
- 9 Holding air current* (for overhead screwdriving processes)

SRV with vacuum module



- 10 Torque transducer*
- 11 Feedstroke cylinder with position indicator
- 12 Feedstroke
- 13 Overstroke
- 14 Vacuum connection

* optional

CAD data of all models are available under www.stoeger.com/en/downloads.html under file "automatic screwdrivers"

STÖGER AUTOMATION GmbH
Gewerbering am Brand 1
82549 Königsdorf

Phone: +49 8179 997 67-0
info@stoeger.com
www.stoeger.com

