

PROFILE SECTIONS PROFILE SERIES MINI AND 30

PROFILE SERIES MINI



19 x 11
20.1074/0



19 x 19
20.1075/0

PROFILE SERIES 30



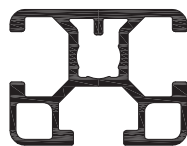
23 x 16
20.1115/0



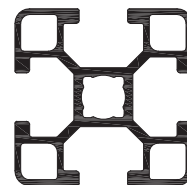
16 x 30
20.0983/0



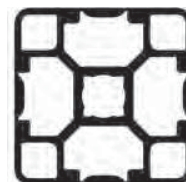
23 x 23
20.1116/0



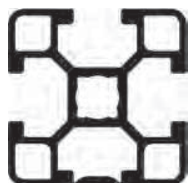
23 x 30
20.1117/0



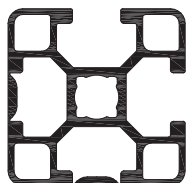
30 x 30
20.1068/0



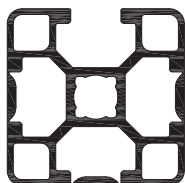
30 x 30 G
20.1141/0



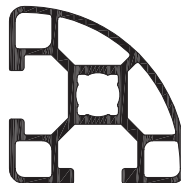
30 x 30 1G
20.1139/0



30 x 30 2G
20.1124/0



30 x 30 3G
20.1085/0



30 R 90°
20.1125/0



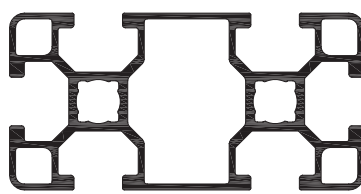
30 R 60°
20.1136/0



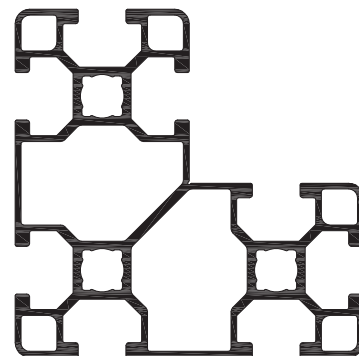
30 R 45°
20.1135/0



30 R 30°
20.1134/0



30 x 60
20.0994/0



60 x 60 x 30
20.0982/0

PROFILE SECTIONS PROFILE SERIES 45



19 x 32
20.1000/0



19 x 45
20.1001/0



45 x 19
20.0993/0



32 x 32 UL
20.1064/0



32 x 32 F
20.1054/0



Clamp profile 32 x 32
20.1070/0



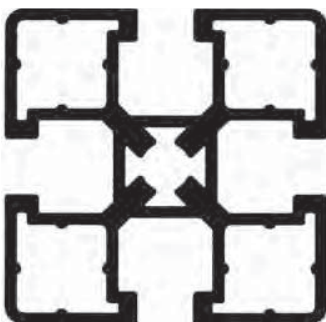
45 x 32 UL
20.1065/0



45 x 32 F
20.1055/0



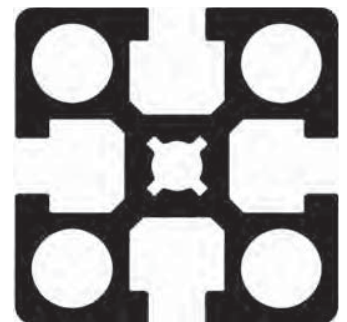
Clamp profile 45 x 32
20.1053/0



45 x 45 UL
20.1063/0

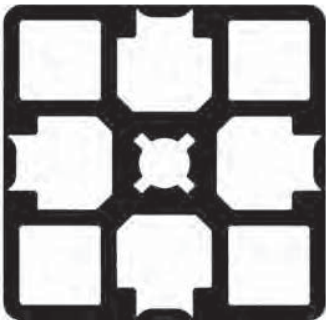


45 x 45 F
20.1033/0

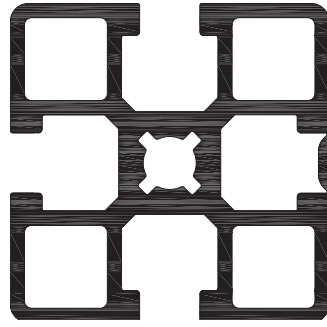


45 x 45
20.1006/0

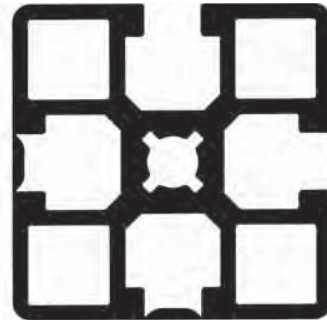
PROFILE SECTIONS PROFILE SERIES 45



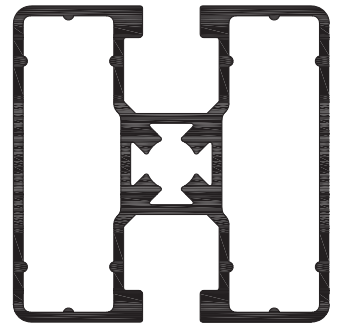
45 x 45 G
20.1028/0



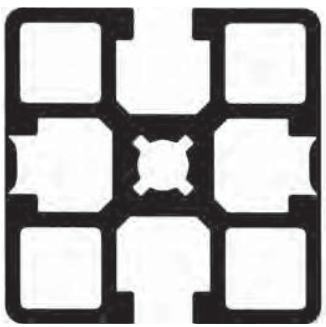
45 x 45 1G
20.1126/0



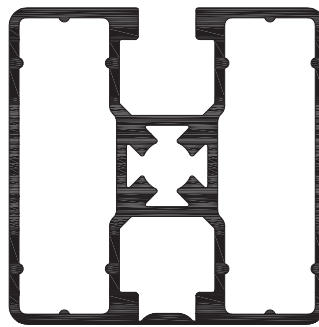
45 x 45 2G
20.1072/0



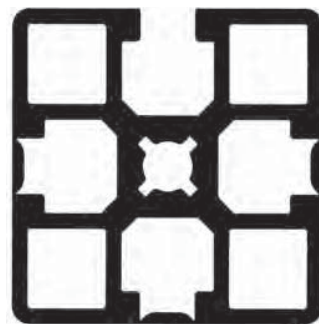
45 x 45 UL 2GG
20.1122/0



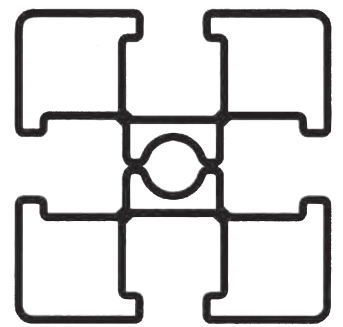
45 x 45 2GG
20.1099/0



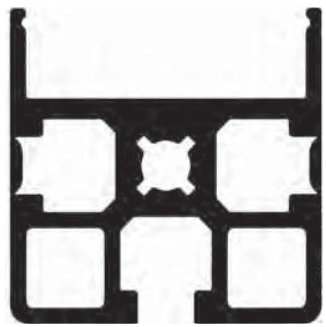
45 x 45 UL 3G
20.1123/0



45 x 45 3G
20.1048/0



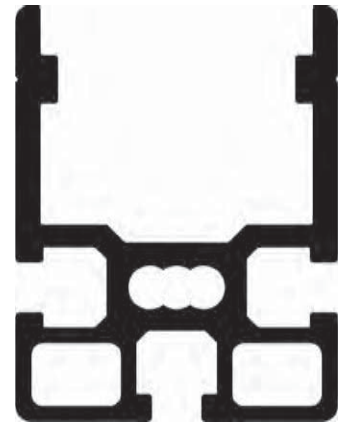
45 x 45 VA
20.2000/0



45 x 45 R
20.1046/0



**Cover profile
for 45 x 45 R**
20.1037/0



**Profile height
adjustable**
20.1143/0



45 R 4
20.1120/0



45 R 90°
20.1069/0

PROFILE SECTIONS PROFILE SERIES 45



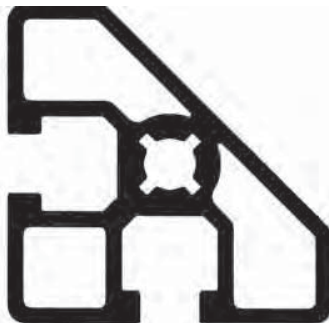
45 R 60°
20.1096/0



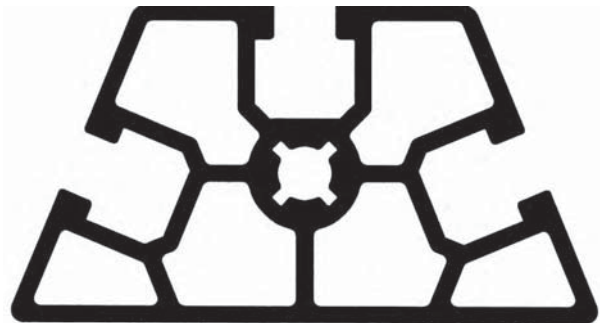
45 R 45°
20.1095/0



45 R 30°
20.1094/0



45/45°
20.1029/0



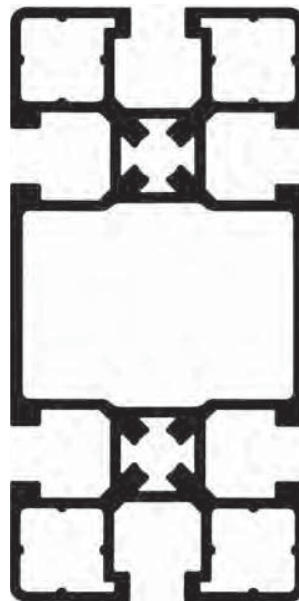
45/22,5°
20.1030/0



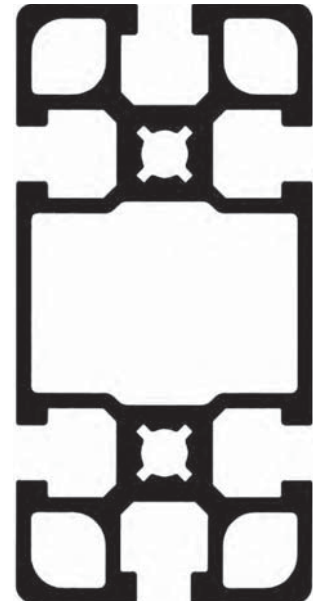
19 x 90
20.0995/0



90 x 32 UL
20.1066/0

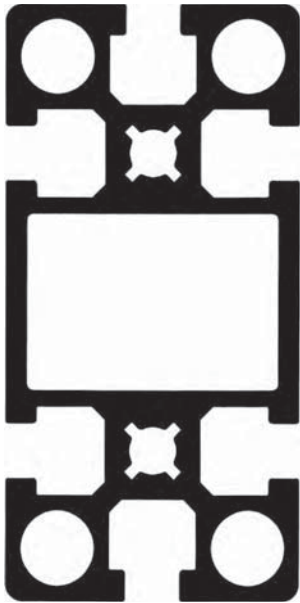


45 x 90 UL
20.1067/0

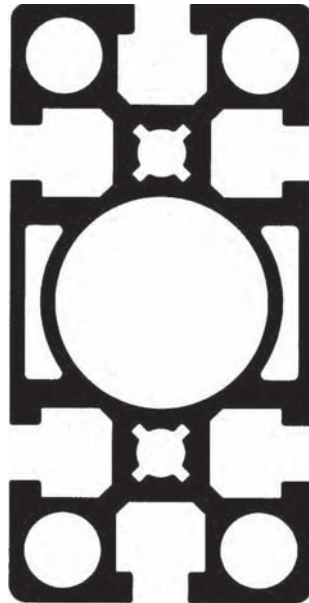


45 x 90 F
20.1032/0

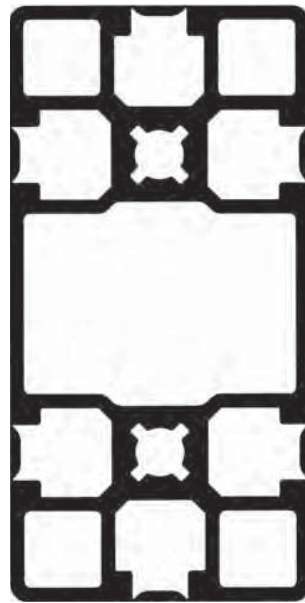
PROFILE SECTIONS PROFILE SERIES 45



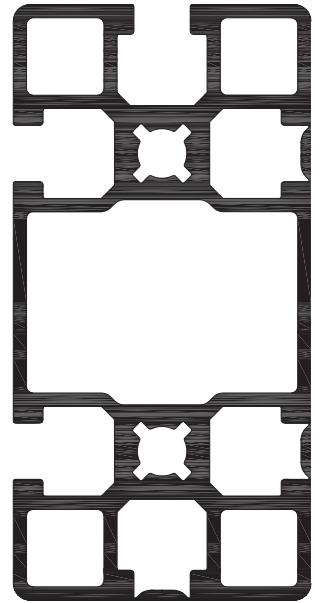
45 x 90
20.1009/0



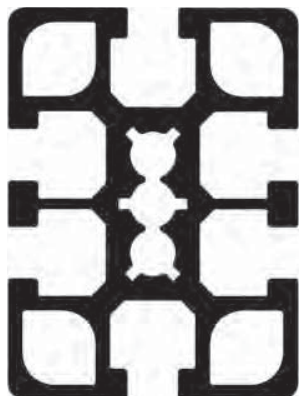
45 x 90 S
20.1017/0



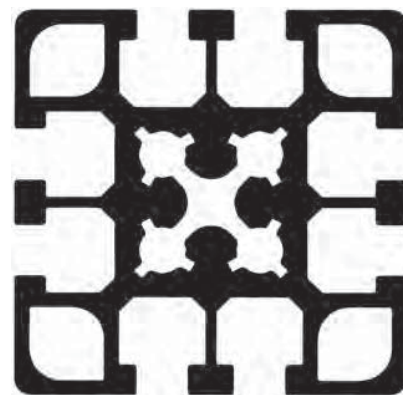
45 x 90 G
20.1015/0



45 x 90 2G
20.1081/0



45 x 60 F
20.1023/0



60 x 60 F
20.1049/0

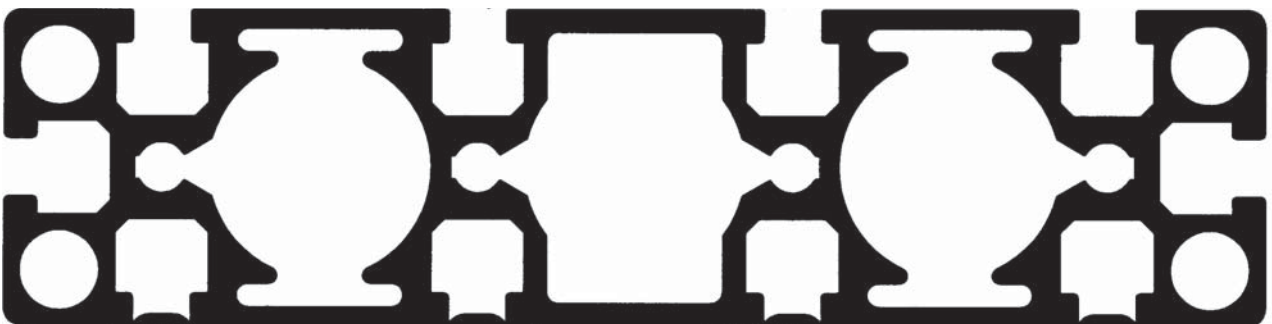


45 x 135 F
20.1087/0

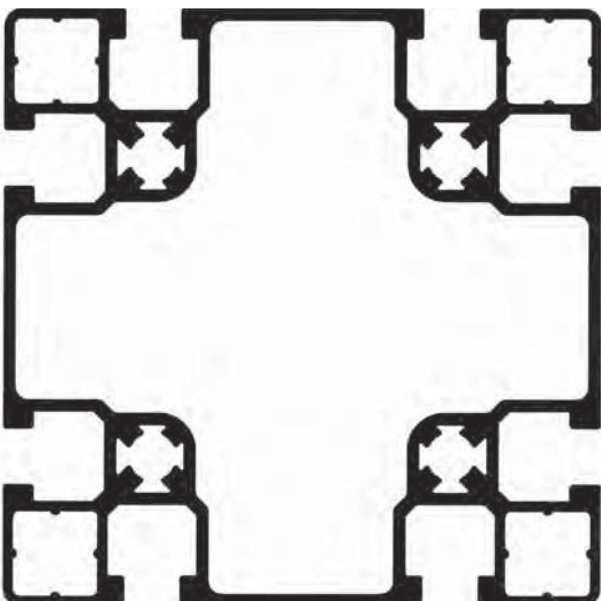
PROFILE SECTIONS PROFILE SERIES 45



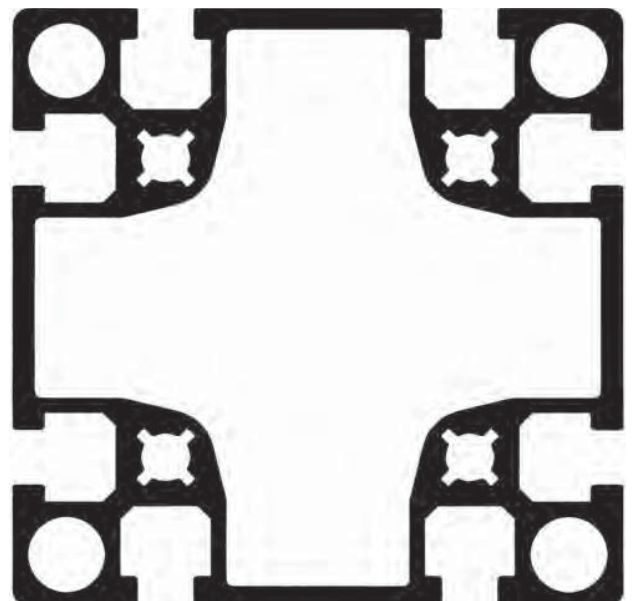
45 x 135 1G
20.1078/0



45 x 180 1G
20.1079/0

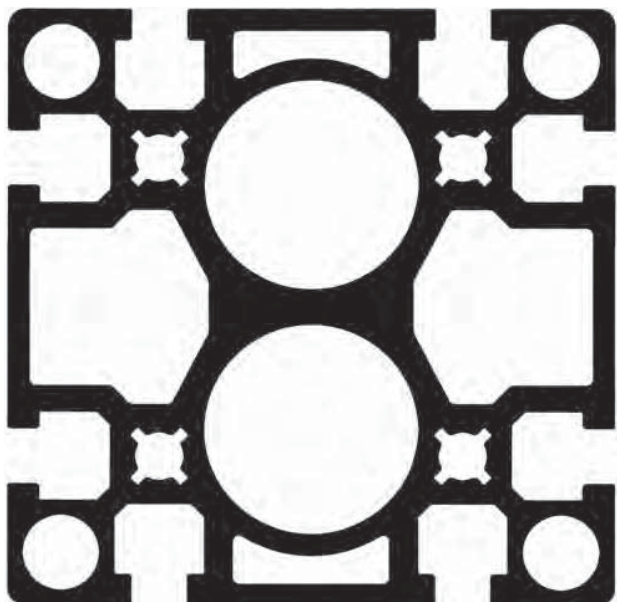


90 x 90 UL
20.0999/0

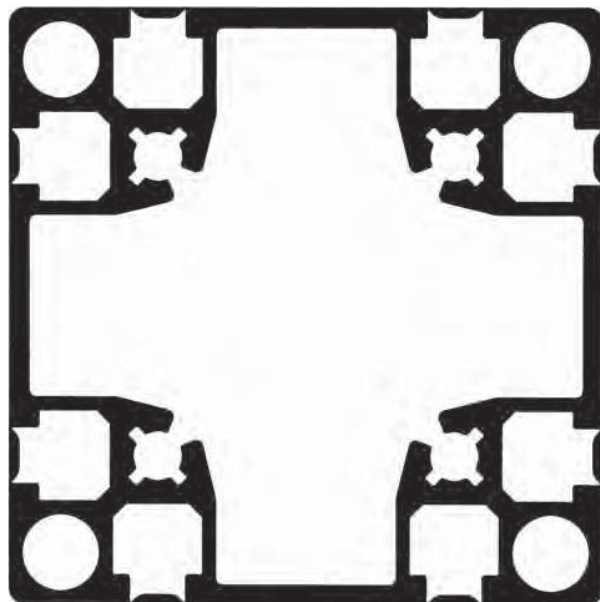


90 x 90 L
20.1010/0

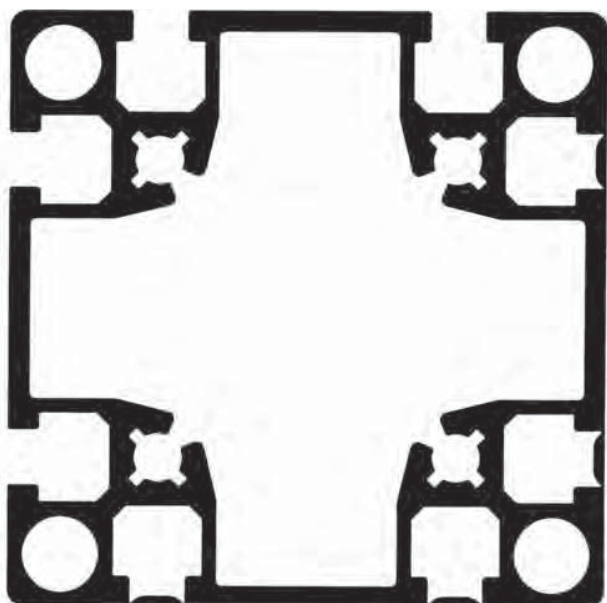
PROFILE SECTIONS PROFILE SERIES 45



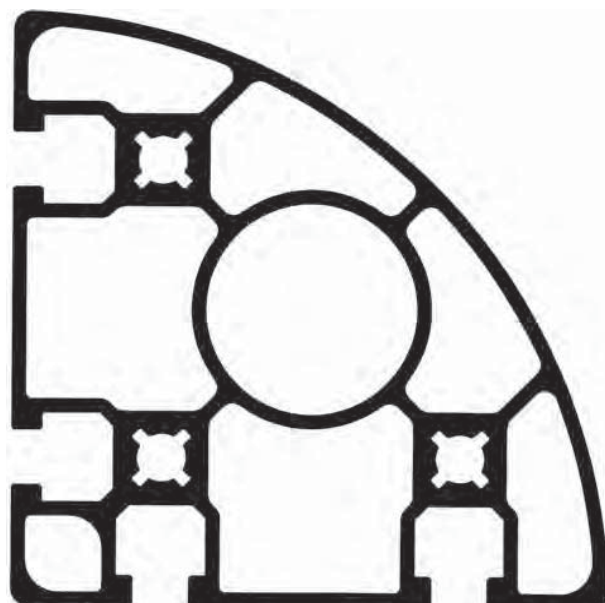
90 x 90 S
20.1019/0



90 x 90 G
20.1082/0

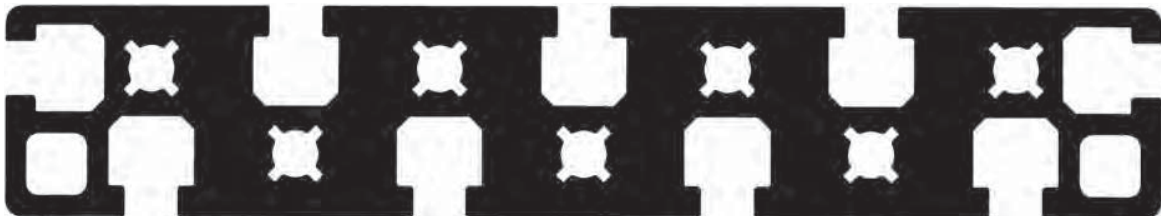


90 x 90 2G
20.1044/0

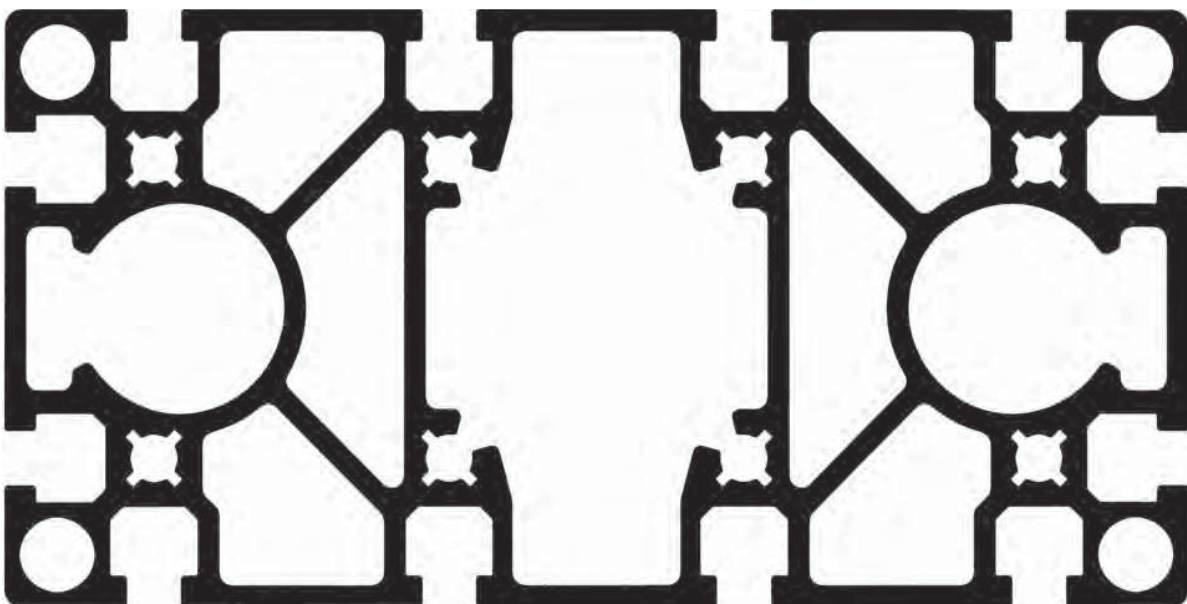


90 R 90°
20.1091/0

PROFILE SECTIONS PROFILE SERIES 45



32 x 180
20.1016/0



90 x 180 S
20.1013/0

PROFILE SECTIONS PROFILE SERIES 45



Handle profile
20.1045/0



Handle profile 32
20.1088/0



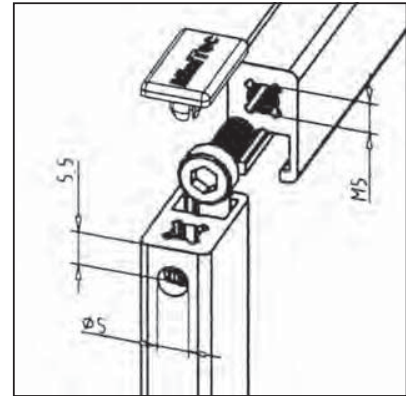
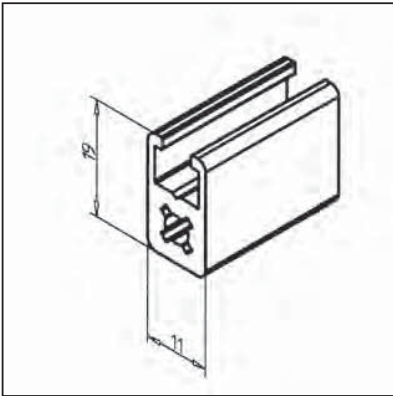
Angular profile 89 x 89
20.1011/0

270 x 19
20.1077/0



PROFILE 19 X 11

part no. 20.1074/0



TECHN. DATA / ITEMS SUPPLIED

- lx =	0,327 cm ⁴
- ly =	0,166 cm ⁴
- wx =	0,287 cm ³
- wy =	0,302 cm ³
- Slot dimension and core hole for thread M5	
- Weight	0,326 kg/m
- Length	6 m

APPLICATIONS

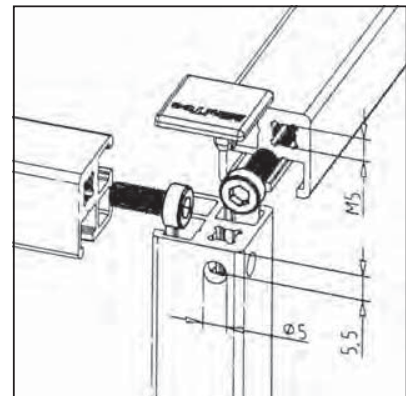
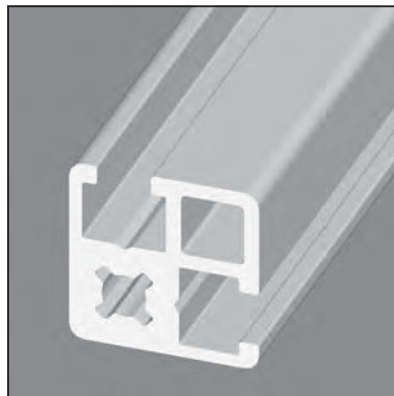
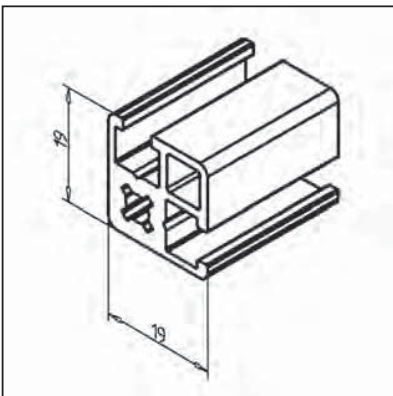
- Small guards and constructions
- Suitable end cap grey: **part no. 22.1030/1**

ASSEMBLY

- Screw-connection 11, **part no. 21.1574/1**
- Square nut M5 for profile series MINI **part no. 21.1382/0**

PROFILE 19 X 19

part no. 20.1075/0



TECHN. DATA / ITEMS SUPPLIED

- lx =	0,570 cm ⁴
- ly =	0,570 cm ⁴
- wx =	0,543 cm ³
- wy =	0,543 cm ³
- Slot dimension and core hole for thread M5	
- Weight	0,460 kg/m
- Length	6 m

APPLICATIONS

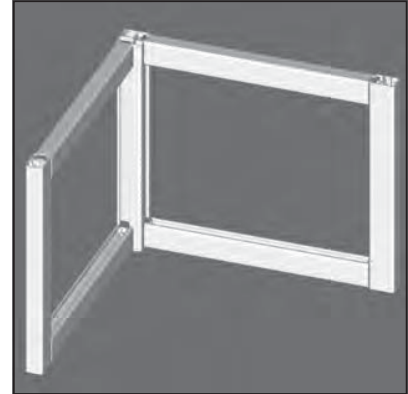
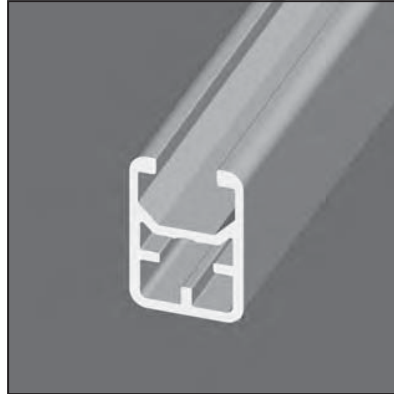
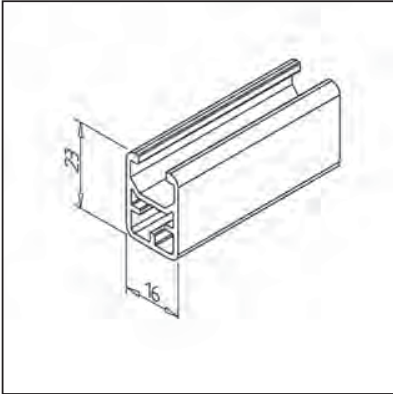
- Small guards and constructions in which very small profiles are required
- Suitable end cap grey: **part no. 22.1031/1**

ASSEMBLY

- Screw-connection 11, **part no. 21.1574/1**
- Square nut M5 for profile series MINI **part no. 21.1382/0**

PROFILE 23 X 16

part no. 20.1115/0



TECHN. DATA / ITEMS SUPPLIED

- Ix =	0,602 cm ⁴
- Iy =	0,442 cm ⁴
- wx =	0,472 cm ³
- wy =	0,552 cm ³
- Weight	0,341 kg/m
- Length	6 m
- Packing unit	72 m

APPLICATIONS

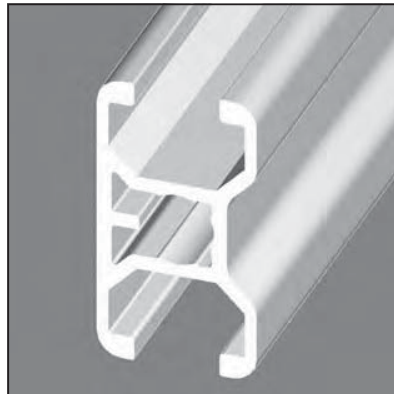
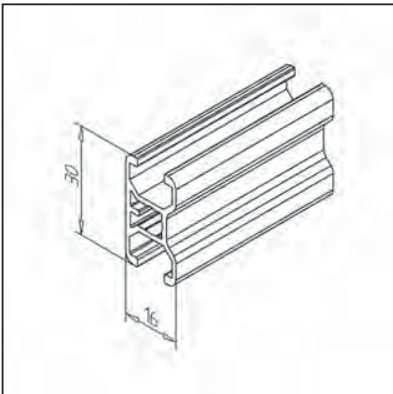
- Light constructions such as holders, protective devices, etc.

ASSEMBLY

- Power-lock fastener 30 / N 30
- Mitre connector 30
- Screw connection 30
- Angle 16
- Mount to this profile using square nuts 30 available in M4 / M5 / M6 / M8

PROFILE 16 X 30

part no. 20.0983/0



TECHN. DATA / ITEMS SUPPLIED

- Ix =	1,008 cm ⁴
- Iy =	0,479 cm ⁴
- wx =	0,672 cm ³
- wy =	0,544 cm ³
- Weight	0,382 kg/m
- Length	6 m
- Packing unit	72 m

APPLICATIONS

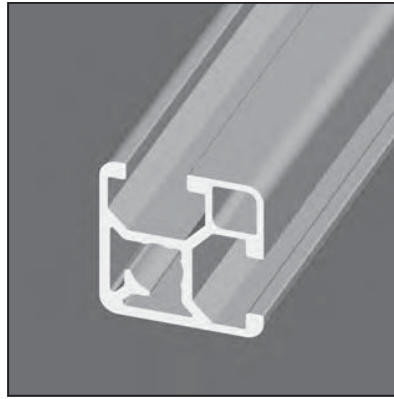
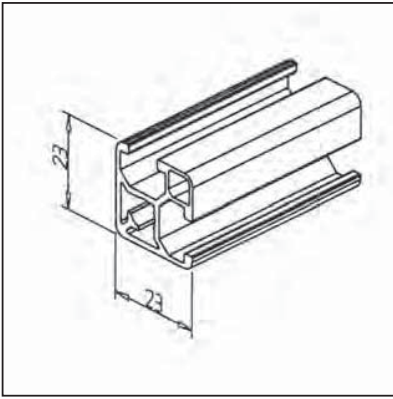
- Light constructions such as holders, protective devices, etc.

ASSEMBLY

- Power-lock fastener 30 / N 30
- Mitre connector 30
- Screw connection 30
- Angle 16
- Mount to this profile using square nuts 30 available in M4 / M5 / M6 / M8

PROFILE 23 X 23

part no. 20.1116/0



TECHN. DATA / ITEMS SUPPLIED

- Ix =	0,921 cm ⁴
- Iy =	0,921 cm ⁴
- wx =	0,729 cm ³
- wy =	0,729 cm ³
- Weight	0,443 kg/m
- Length	6 m
- Packing unit	72 m

APPLICATIONS

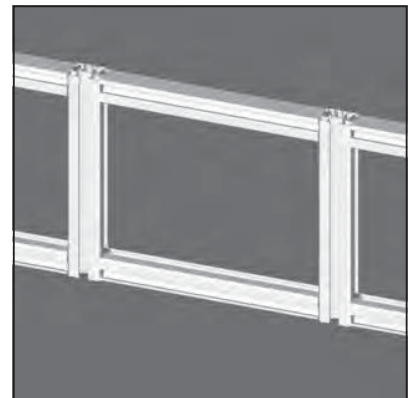
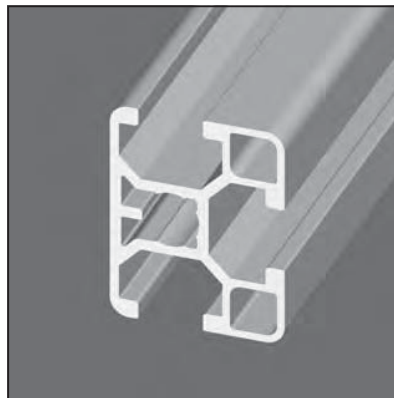
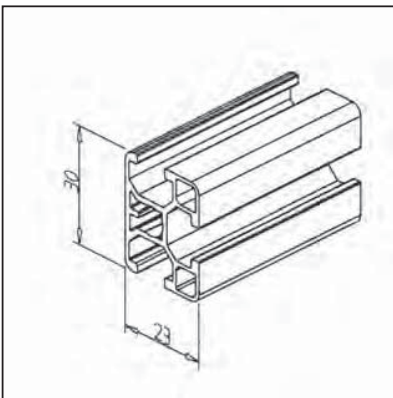
- Light constructions such as holders, protective devices, etc.

ASSEMBLY

- Power-lock fastener 30 / N 30
- Mitre connector 30
- Screw connection 30
- Angle 16
- Mount to this profile using square nuts 30 available in M4 / M5 / M6 / M8

PROFILE 23 X 30

part no. 20.1117/0



TECHN. DATA / ITEMS SUPPLIED

- Ix =	1,565 cm ⁴
- Iy =	1,187 cm ⁴
- wx =	1,043 cm ³
- wy =	0,975 cm ³
- Weight	0,524 kg/m
- Length	6 m
- Packing unit	72 m

APPLICATIONS

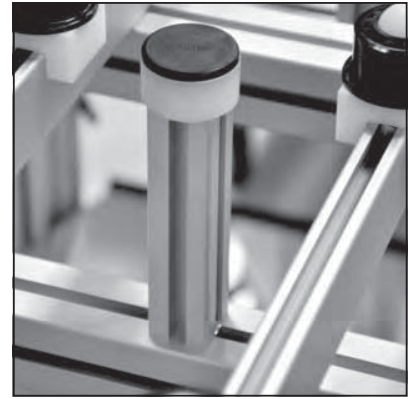
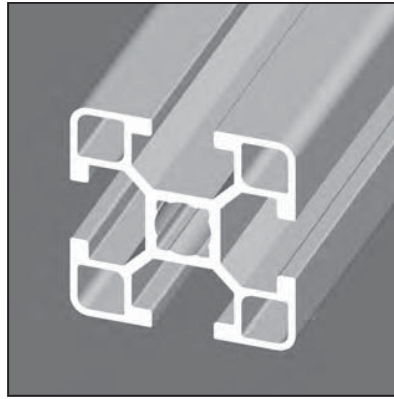
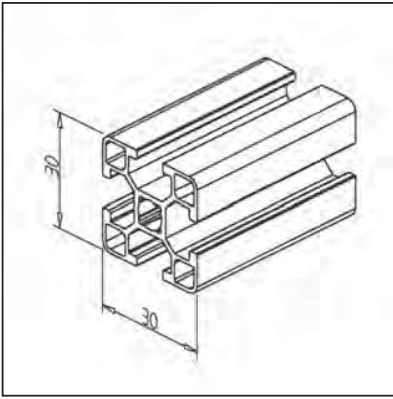
- Light constructions such as holders, protective devices, etc.

ASSEMBLY

- Power-lock fastener 30 / N 30
- Mitre connector 30
- Screw connection 30
- Angle 16 / 30
- Mount to this profile using square nuts 30 available in M4 / M5 / M6 / M8

PROFILE 30 X 30

part no. 20.1068/0



TECHN. DATA / ITEMS SUPPLIED

- Ix =	2,133 cm ⁴
- Iy =	2,133 cm ⁴
- wx =	1,422 cm ³
- wy =	1,422 cm ³
- Weight	0,652 kg/m
- Length	6 m
- Packing unit	54 m

APPLICATIONS

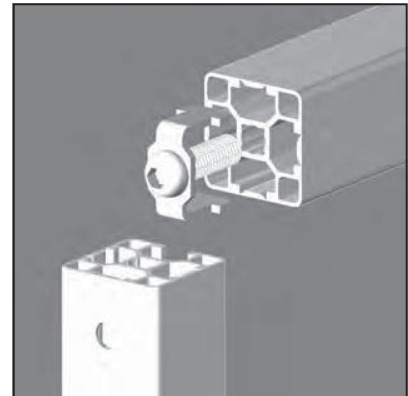
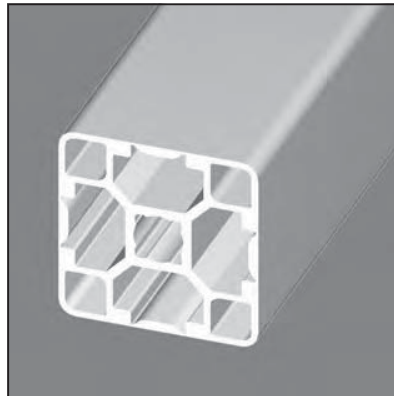
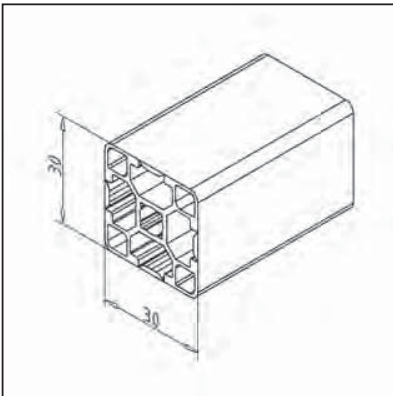
- Light constructions such as holders, protective devices, etc.

ASSEMBLY

- Power-lock fastener 30 / N 30
- Mitre connector 30
- Screw connection 30
- Angle 16 / 30
- Mount to this profile using square nuts 30 available in M4 / M5 / M6 / M8

PROFILE 30 X 30 G

part no. 20.1141/0



TECHN. DATA / ITEMS SUPPLIED

- Ix =	2,554 cm ⁴
- Iy =	2,554 cm ⁴
- wx =	1,702 cm ³
- wy =	1,702 cm ³
- Weight	0,749 kg
- Length	6 m
- Packing unit	54 m

APPLICATIONS

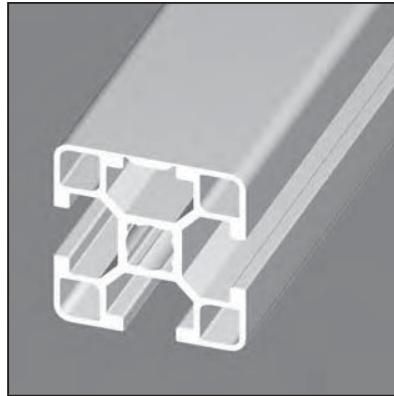
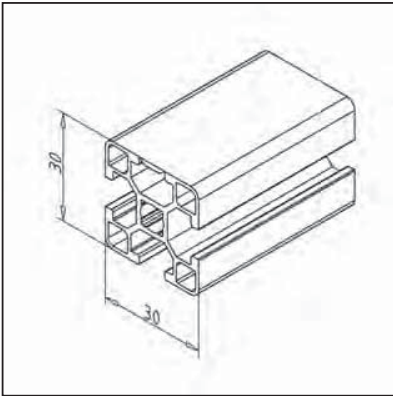
- Light constructions such as holders, protective devices, etc.
 - Particularly useful in the food industry, in medical engineering and for the filling of beverages, where strict hygienic standards are set

ASSEMBLY

- Power-lock fastener 30 / N 30
- Mitre connector 30
- Screw connection 30
- Angle 16 / 30
- Mount to this profile using square nuts 30 available in M4 / M5 / M6 / M8

PROFILE 30 X 30 1G

part no. 20.1139/0

**TECHN. DATA / ITEMS SUPPLIED**

- I _x =	2,311 cm ⁴
- I _y =	2,112 cm ⁴
- W _x =	1,481 cm ³
- W _y =	1,408 cm ³
- Weight	0,666 kg/m
- Length	6 m
- Packing unit	54 m

APPLICATIONS

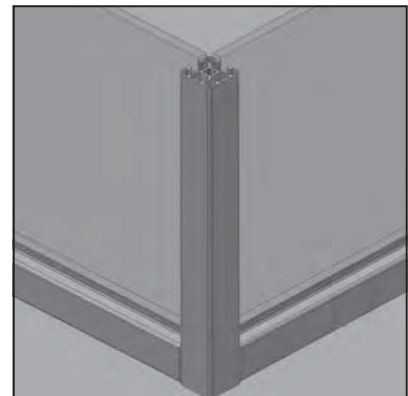
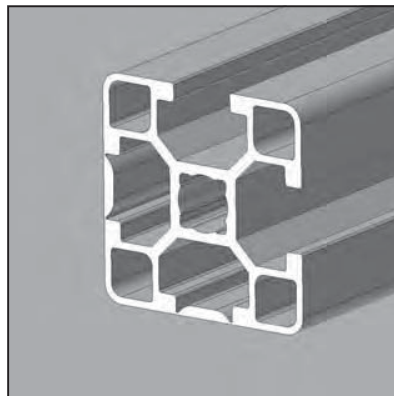
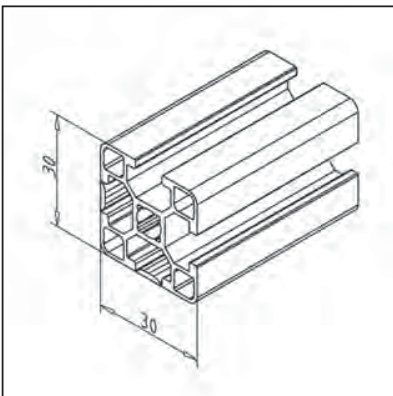
- Light constructions such as holders, protective devices, etc.
- Particularly useful in the food industry, in medical engineering and for the filling of beverages, where strict hygienic standards are set

ASSEMBLY

- Power-lock fastener 30 / N 30
- Mitre connector 30
- Screw connection 30
- Angle 16 / 30
- Mount to this profile using square nuts 30 available in M4 / M5 / M6 / M8

PROFILE 30 X 30 2G

part no. 20.1124/0

**TECHN. DATA / ITEMS SUPPLIED**

- I _x =	2,334 cm ⁴
- I _y =	2,334 cm ⁴
- W _x =	1,501 cm ³
- W _y =	1,501 cm ³
- Weight	0,695 kg/m
- Length	6 m
- Packing unit	54 m

APPLICATIONS

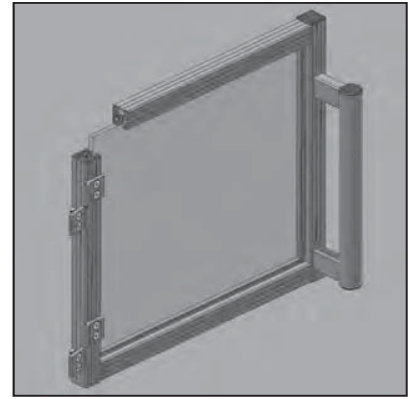
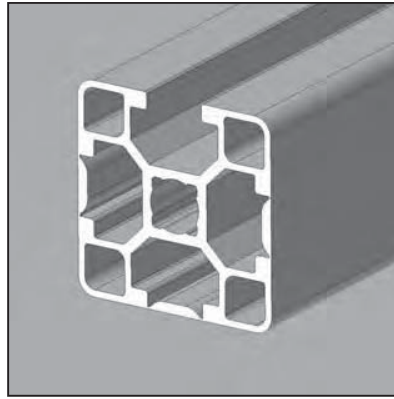
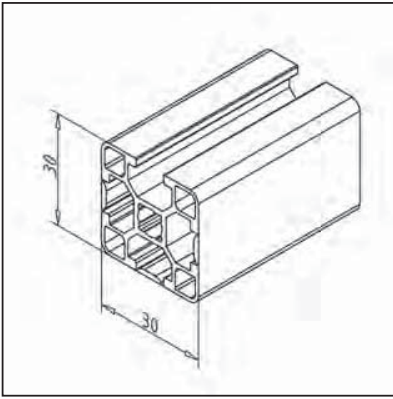
- Light constructions such as holders, protective devices, etc.
- Particularly useful in the food industry, in medical engineering and for the filling of beverages, where strict hygienic standards are set

ASSEMBLY

- Power-lock fastener 30 / N 30
- Mitre connector 30
- Screw connection 30
- Angle 16 / 30
- Mount to this profile using square nuts 30 available in M4 / M5 / M6 / M8

PROFILE 30 X 30 3G

part no. 20.1085/0



TECHN. DATA / ITEMS SUPPLIED

- Ix =	2,321 cm ⁴
- Iy =	2,537 cm ⁴
- wx =	1,493 cm ³
- wy =	1,691 cm ³
- Weight	0,722 kg/m
- Length	6 m
- Packing unit	54 m

APPLICATIONS

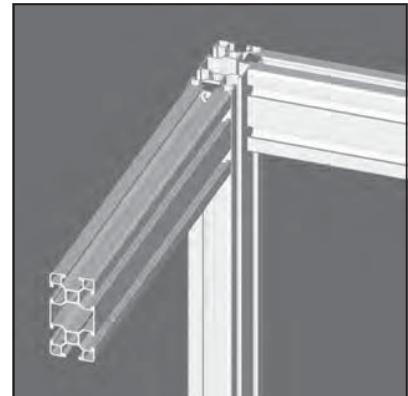
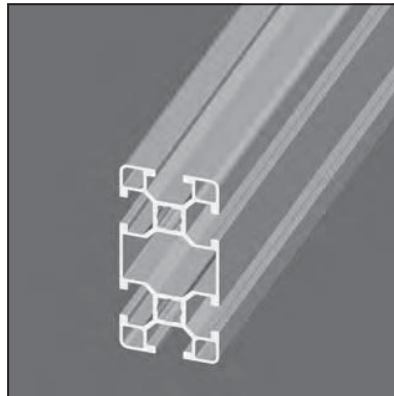
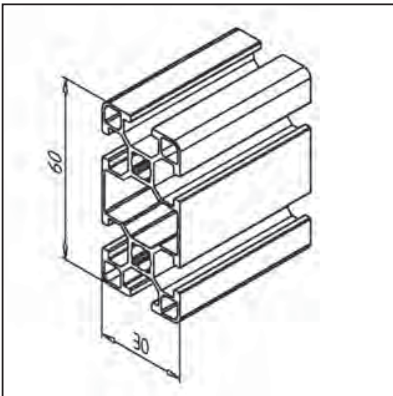
- Light constructions such as holders, protective devices, etc.
- Particularly useful in the food industry, in medical engineering and for the filling of beverages, where strict hygienic standards are set

ASSEMBLY

- Power-lock fastener 30 / N 30
- Mitre connector 30
- Screw connection 30
- Angle 16 / 30
- Mount to this profile using square nuts 30 available in M4 / M5 / M6 / M8

PROFILE 30 X 60

part no. 20.0994/0



TECHN. DATA / ITEMS SUPPLIED

- Ix =	14,898 cm ⁴
- Iy =	3,792 cm ⁴
- wx =	4,966 cm ³
- wy =	2,528 cm ³
- Weight	1,069 kg/m
- Length	6 m
- Packing unit	54 m

APPLICATIONS

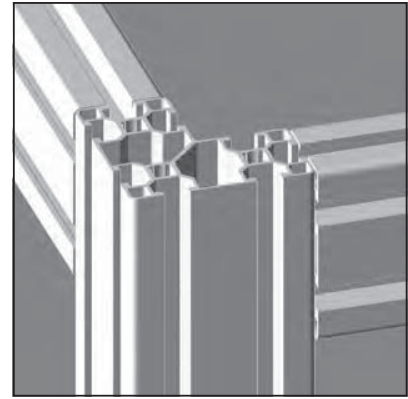
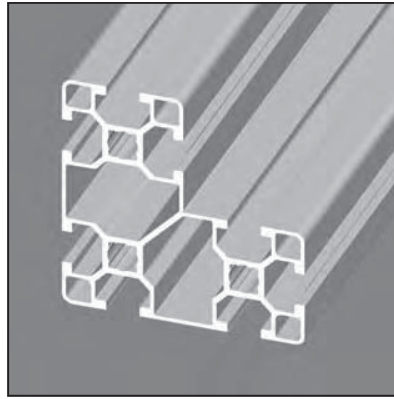
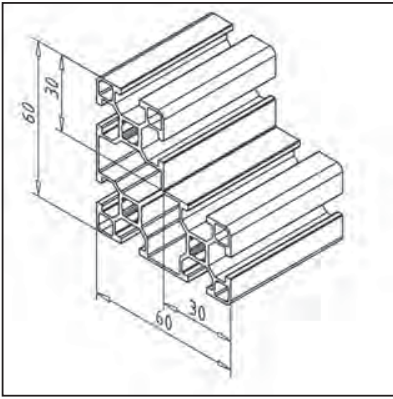
- Light constructions such as holders, protective devices

ASSEMBLY

- Power-lock fastener 30 / N 30
- Mitre connector 30
- Screw connection 30
- Angle 16 / 30
- Mount to this profile using square nuts 30 available in M4 / M5 / M6 / M8

PROFILE 60 X 60 X 30

part no. 20.0982/0



TECHN. DATA / ITEMS SUPPLIED

- I _x =	19,107 cm ⁴
- I _y =	19,107 cm ⁴
- W _x =	5,572 cm ³
- W _y =	5,572 cm ³
- Weight	1,534 kg/m
- Length	6 m
- Packing unit	36 m

APPLICATIONS

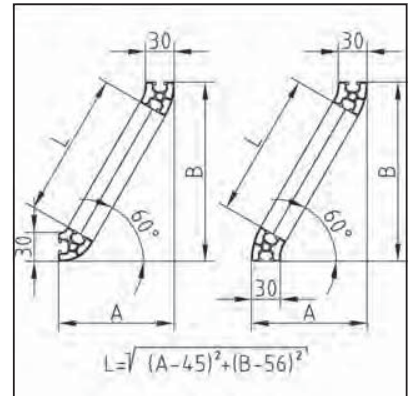
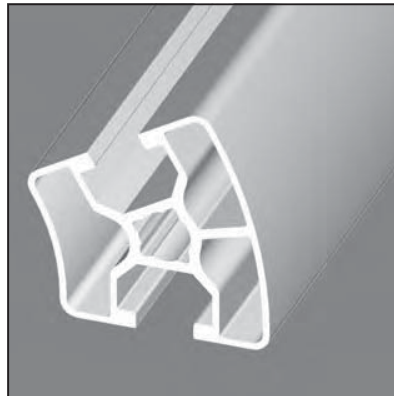
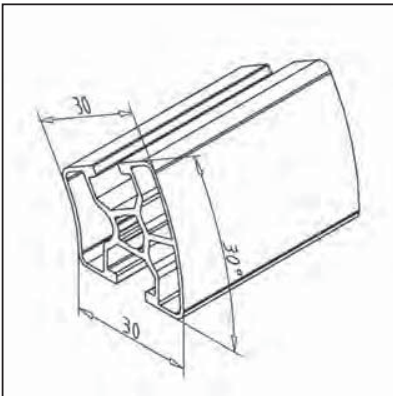
- Light construction
- Tables
- Racks
- Framework constructions
- Bracings

ASSEMBLY

- Power-lock fastener 30 / N 30
- Mitre connector 30
- Screw connection 30
- Angle 16 / 30
- Mount to this profile using square nuts 30 available in M4 / M5 / M6 / M8

PROFILE 30 R 30°

part no. 20.1134/0



TECHN. DATA / ITEMS SUPPLIED

- I _x =	1,939 cm ⁴
- I _y =	1,909 cm ⁴
- W _x =	0,982 cm ³
- W _y =	1,006 cm ³
- Weight	0,601 kg/m
- Length	6 m
- Packing unit	72 m

APPLICATIONS

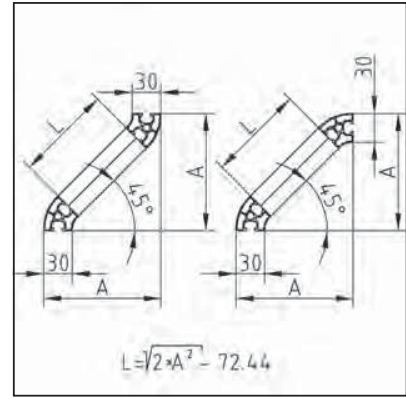
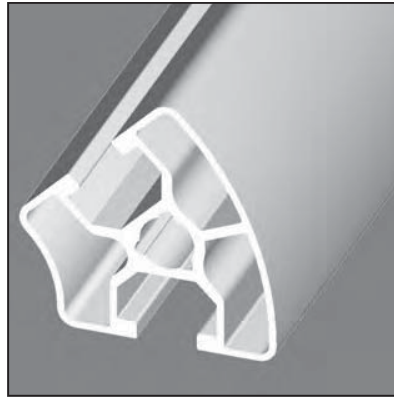
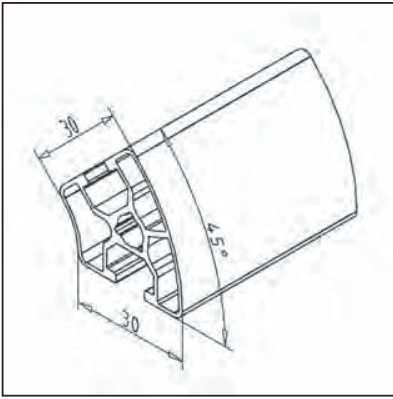
- Light construction
- Tables
- Racks
- Framework constructions
- Bracings

ASSEMBLY

- Power-lock fastener 30 / N 30
- Mitre connector 30
- Screw connection 30
- Angle 16 / 30
- Mount to this profile using square nuts 30 available in M4 / M5 / M6 / M8

PROFILE 30 R 45°

part no. 20.1135/0



TECHN. DATA / ITEMS SUPPLIED

- Ix =	1,909 cm ⁴
- Iy =	1,812 cm ⁴
- wx =	0,924 cm ³
- wy =	0,951 cm ³
- Weight	0,601 kg/m
- Length	6 m
- Packing unit	72 m

APPLICATIONS

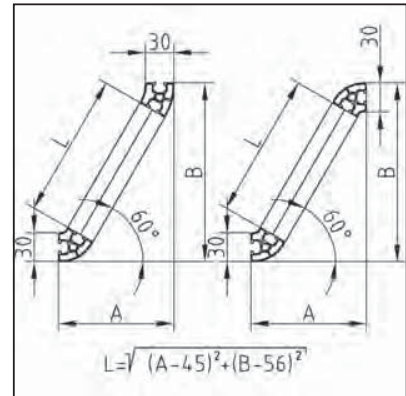
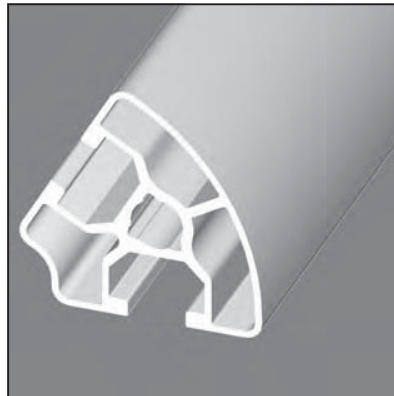
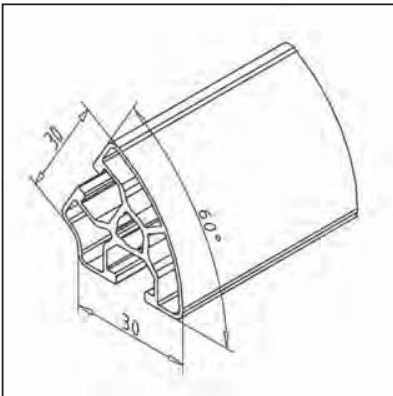
- Light construction
- Tables
- Racks
- Framework constructions
- Bracings

ASSEMBLY

- Power-lock fastener 30 / N 30,
- Mitre connector 30
- Screw connection 30
- Angle 16 / 30
- Mount to this profile using square nuts 30 available in M4 / M5 / M6 / M8

PROFILE 30 R 60°

part no. 20.1136/0



TECHN. DATA / ITEMS SUPPLIED

- Ix =	1,847 cm ⁴
- Iy =	1,721 cm ⁴
- wx =	0,904 cm ³
- wy =	0,951 cm ³
- Weight	0,590 kg/m
- Length	6 m
- Packing unit	72 m

APPLICATIONS

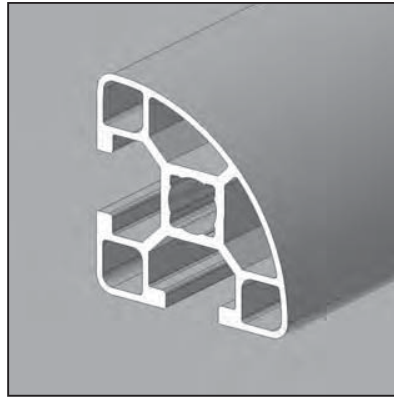
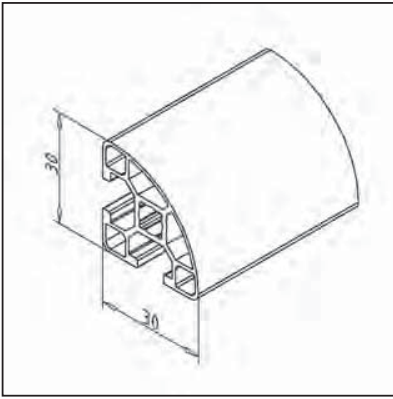
- Light construction
- Tables
- Racks
- Framework constructions
- Bracings

ASSEMBLY

- Power-lock fastener 30 / N 30
- Mitre connector 30
- Screw connection 30
- Angle 16 / 30
- Mount to this profile using square nuts 30 available in M4 / M5 / M6 / M8

PROFILE 30 R 90°

part no. 20.1125/0



TECHN. DATA / ITEMS SUPPLIED

- Ix =	1,847 cm ⁴
- Iy =	1,721 cm ⁴
- wx =	0,904 cm ³
- wy =	0,951 cm ³
- Weight	0,590 kg/m
- Length	6 m
- Packing unit	72 m

APPLICATIONS

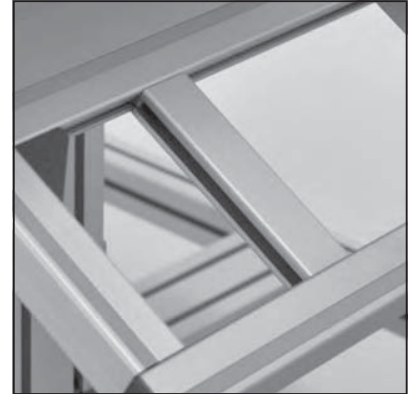
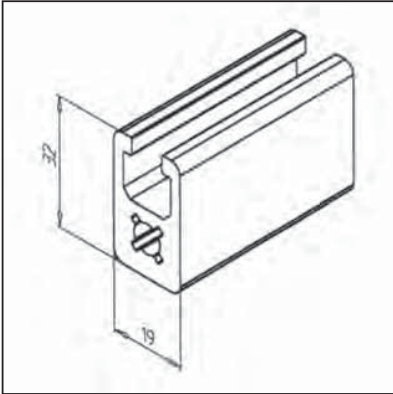
- Light construction
- Tables
- Racks
- Framework constructions

ASSEMBLY

- Power-lock fastener 30 / N 30
- Mitre connector 30
- Screw connection 30
- Angle 16 / 30 / 30 R 90°
- Mount to this profile using square nuts 30 available in M4 / M5 / M6 / M8

PROFILE 19 X 32

part no. 20.1000/0



TECHN. DATA / ITEMS SUPPLIED

- Ix =	3,102 cm ⁴
- Iy =	1,526 cm ⁴
- wx =	1,651 cm ³
- wy =	1,606 cm ³
- Weight	0,987 kg/m
- Length	6 m
- Packing unit	60 m

APPLICATIONS

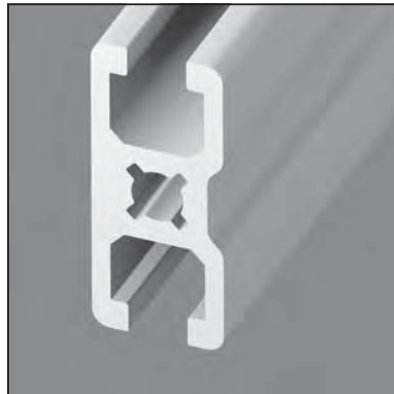
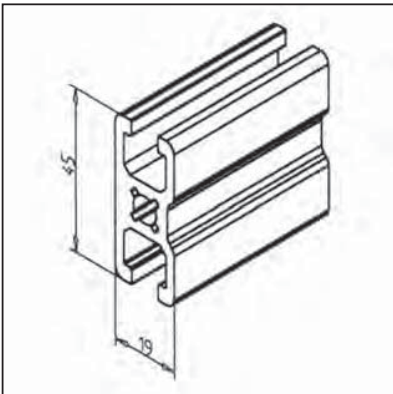
- Light constructions
- Panel frames
- Light supports
- Grip rails

ASSEMBLY

- MiniTec power-lock fastener
- Angle 19 GD-Z
- Bolt-fastener 15
- Screw connection

PROFILE 19 X 45

part no. 20.1001/0



TECHN. DATA / ITEMS SUPPLIED

- Ix =	6,173 cm ⁴
- Iy =	1,843 cm ⁴
- wx =	2,743 cm ³
- wy =	1,836 cm ³
- Weight	1,101 kg/m
- Length	6 m
- Packing unit	60 m

APPLICATIONS

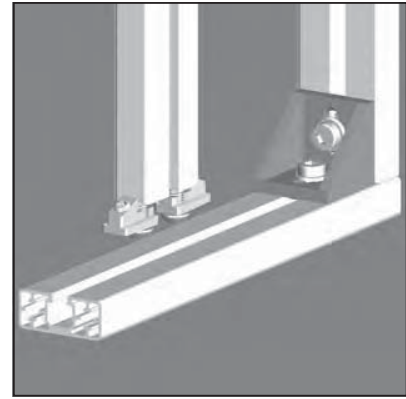
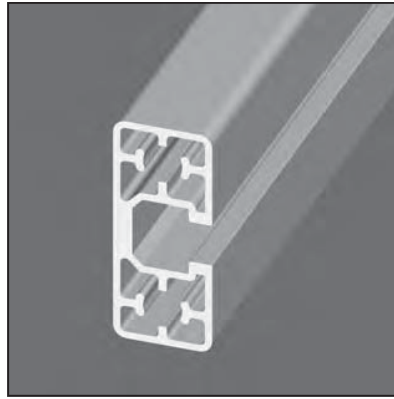
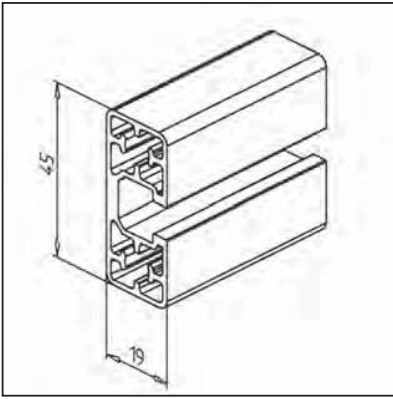
- Light supports, Bracings
- Light constructions
- Panel frames
- Shelves

ASSEMBLY

- MiniTec power-lock fastener
- Angle 19
- Bolt-fastener 15
- Screw connection

PROFILE 45 X 19

part no. 20.0993/0

**TECHN. DATA / ITEMS SUPPLIED**

- I _x =	6,106 cm ⁴
- I _y =	1,384 cm ⁴
- W _x =	2,71 cm ³
- W _y =	1,45 cm ³
- Weight	0,814 kg/m
- Length	6 m
- Packing unit	72 m

APPLICATIONS

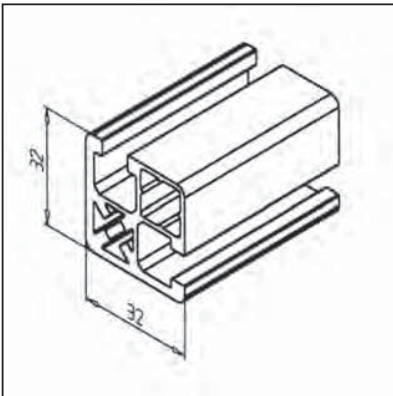
- Weight-optimized constructions
- Light constructions
- Light sliding windows
- Support plates
- Base plates

ASSEMBLY

- Side 19 mm: MiniTec Power-lock fastener 45 F **part no. 21.0818/0**
- Side 45 mm: angle, power-lock fastener N or bolt-fastener

PROFILE 32 X 32 UL

part no. 20.1064/0

**TECHN. DATA / ITEMS SUPPLIED**

- I _x =	4,100 cm ⁴
- I _y =	4,100 cm ⁴
- W _x =	2,267 cm ³
- W _y =	2,267 cm ³
- Weight	1,052 kg/m
- Length	6 m
- Packing unit	48 m

APPLICATIONS

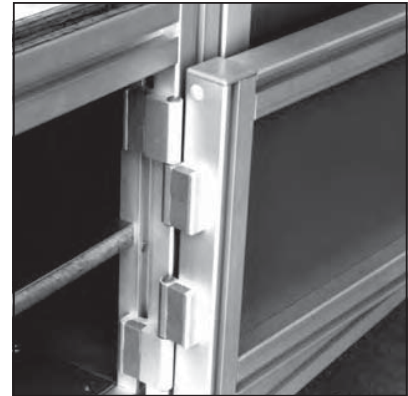
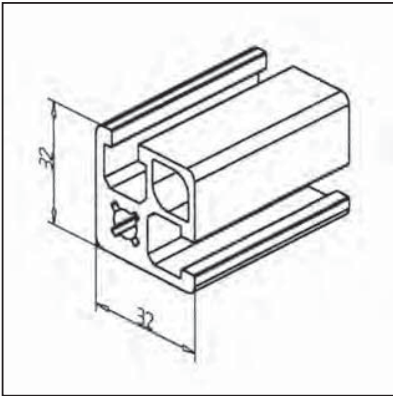
- Light constructions
- Tables
- Horizontal or vertical sliding doors
- Bracings

ASSEMBLY

- MiniTec power-lock fastener
- Angle 19 GD-Z **part no. 21.2078/0**
- Bolt-fastener 15 **part no. 21.1024/0**
- Screw connection

PROFILE 32 X 32 F

part no. 20.1054/0



TECHN. DATA / ITEMS SUPPLIED

- Ix =	4,825 cm ⁴
- Iy =	4,825 cm ⁴
- wx =	2,703 cm ³
- wy =	2,703 cm ³
- Weight	1,288 kg/m
- Length	6 m
- Packing unit	48 m

APPLICATIONS

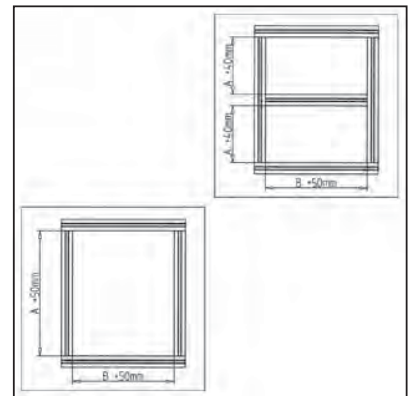
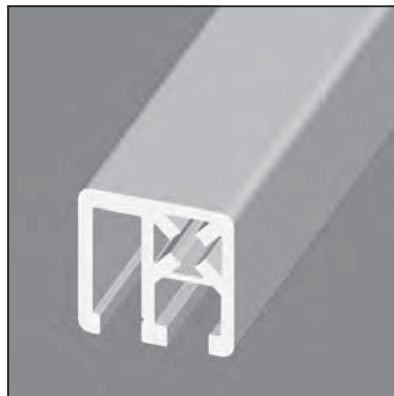
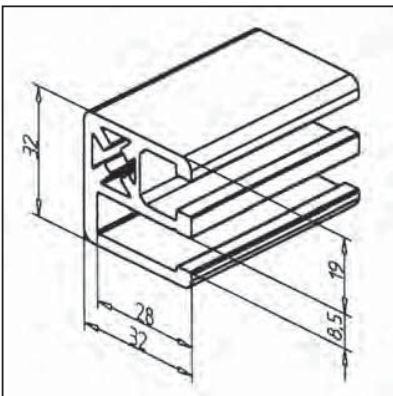
- Light constructions
- Tables
- Horizontal or vertical-sliding doors
- Bracings

ASSEMBLY

- MiniTec power-lock fastener
- Angle 19 GD-Z, **part no. 21.2078/0**
- Bolt-fastener 15, **part no. 21.1024/0**
- Screw connection

CLAMP PROFILE 32 X 32

part no. 20.1070/0



TECHN. DATA / ITEMS SUPPLIED

- Ix =	5,024 cm ⁴
- Iy =	4,418 cm ⁴
- wx =	3,041 cm ³
- wy =	2,398 cm ³
- Weight	1,211 kg/m
- Length	6 m
- Packing unit	48 m

APPLICATIONS

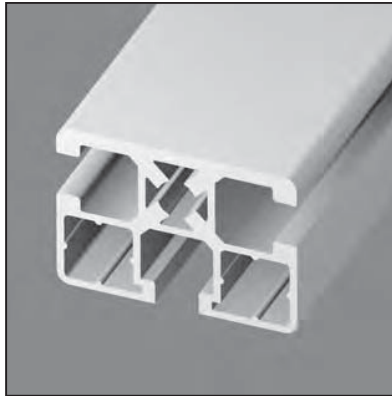
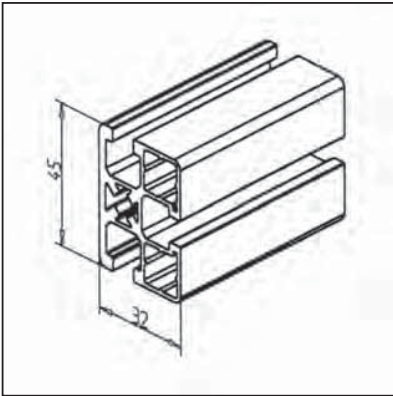
- All types of safety equipment
- For clamping surface elements such as corrugated mesh, panels or plates up to a thickness of 8 mm
- For large flexible panels, split panel into sections using a center bar of clamp profile 45x32

ASSEMBLY

- MiniTec power-lock fastener; no bores required
- No cut-outs in surface elements required
- Premount 3 sides of the frame
- Insert surface element and mount last profile strut
- Push in distance profile on the inside or knock in with a flat tool
- For panel elements < 4 mm mount additional insert seal
- Distance profile **part no. 22.1039/0** see page 182

PROFILE 45 X 32 UL

part no. 20.1065/0

**TECHN. DATA / ITEMS SUPPLIED**

- I _x =	8,292 cm ⁴
- I _y =	5,178 cm ⁴
- W _x =	3,685 cm ³
- W _y =	2,815 cm ³
- Weight	1,257 kg/m
- Length	6 m
- Packing unit	48 m

APPLICATIONS

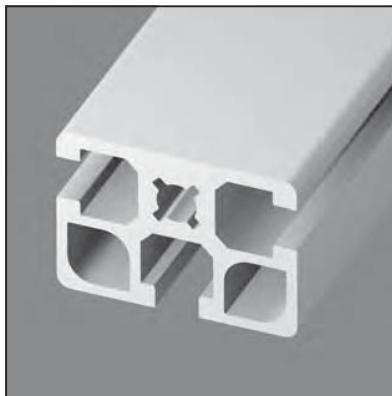
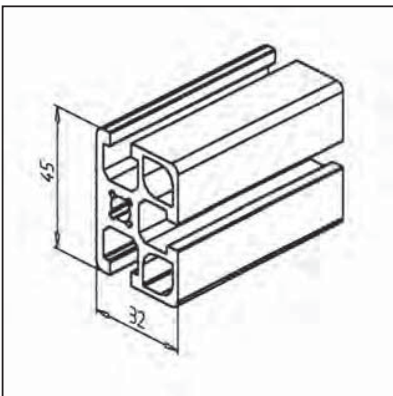
- General constructions
- Light constructions
- Tables
- Racks
- Sliding doors

ASSEMBLY

- MiniTec power-lock fastener
- Angle 19 / 25 / 45 / 45 x 90 GD-Z
- Bolt-fastener 15 / 20
- Screw connection

PROFILE 45 X 32 F

part no. 20.1055/0

**TECHN. DATA / ITEMS SUPPLIED**

- I _x =	10,189 cm ⁴
- I _y =	6,499 cm ⁴
- W _x =	4,528 cm ³
- W _y =	3,762 cm ³
- Weight	1,588 kg/m
- Length	6 m
- Packing unit	48 m

APPLICATIONS

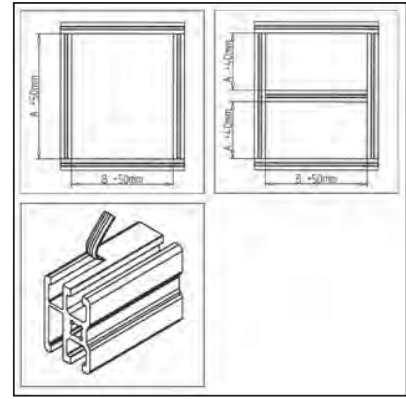
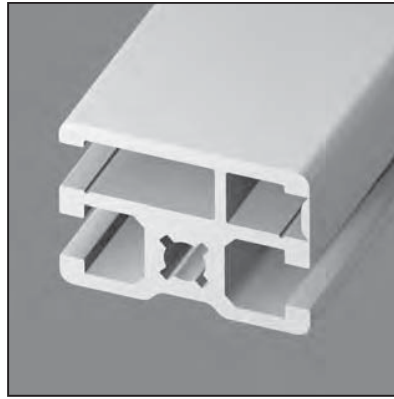
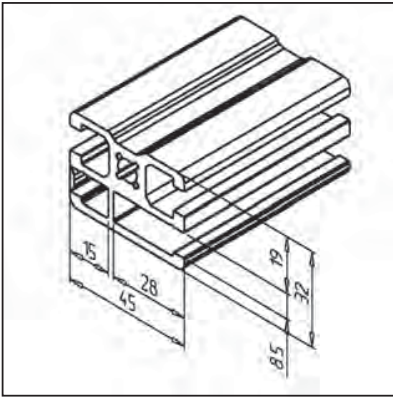
- General constructions
- Tables
- Racks
- Sliding-doors
- Rails

ASSEMBLY

- MiniTec power-lock fastener
- Angle 19 / 25 / 45 / 45 x 90 GD-Z
- Bolt-fastener 15 / 20
- Screw connection

CLAMP PROFILE 45 X 32

part no. 20.1053/0



TECHN. DATA / ITEMS SUPPLIED

- Ix =	6,465 cm ⁴
- Iy =	9,521 cm ⁴
- wx =	3,999 cm ³
- wy =	4,119 cm ³
- Weight	1,615 kg/m
- Length	6 m
- Packing unit	48 m

APPLICATIONS

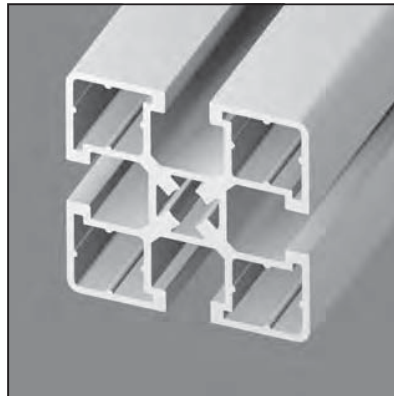
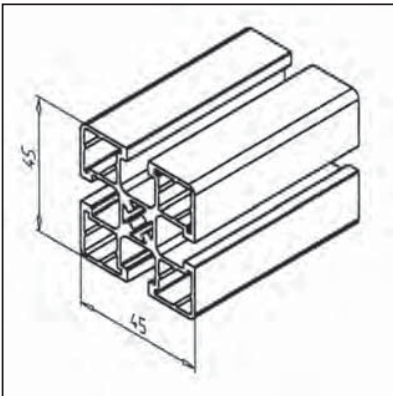
- All types of safety equipment
- Extra deep 28mm slot for fixing panels & wire mesh up to 8mm thick
- For large flexible panels, split panel into sections using a center bar of clamp profile 45x32

ASSEMBLY

- MiniTec power-lock fastener
- No cut-outs in surface elements required
- Pre-mount 3 sides of the frame
- Insert surface element and mount last profile strut
- Push in distance profile on the inside or knock in with a flat tool
- For panel elements < 4 mm mount additional insert seal
- Distance profile **part no. 22.1039/0** see page 182

PROFILE 45 X 45 UL

part no. 20.1063/0



TECHN. DATA / ITEMS SUPPLIED

- Ix =	9,953 cm ⁴
- Iy =	9,953 cm ⁴
- wx =	4,423 cm ³
- wy =	4,423 cm ³
- Weight	1,445 kg/m
- Length	6 m
- Packing unit	54 m

APPLICATIONS

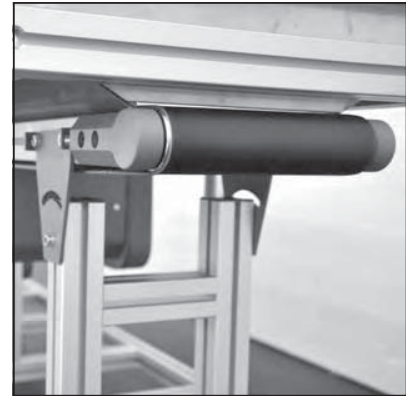
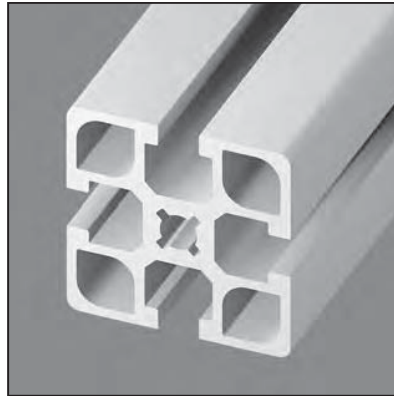
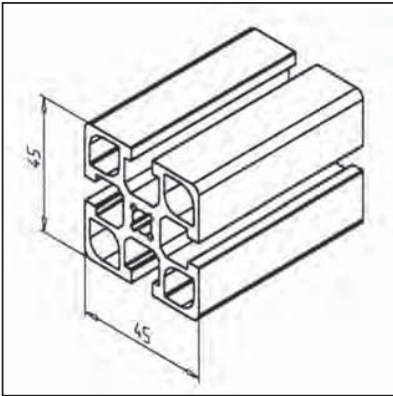
- General weight, optimized engineering structures
- General constructions

ASSEMBLY

- MiniTec power-lock fastener
- Angle 19 / 25 / 45 / 45 x 90 GD-Z
- Bolt-fastener 20
- Screw connection

PROFILE 45 X 45 F

part no. 20.1033/0



TECHN. DATA / ITEMS SUPPLIED

- I _x =	14,172 cm ⁴
- I _y =	14,172 cm ⁴
- W _x =	6,298 cm ³
- W _y =	6,298 cm ³
- Weight	2,005 kg/m
- Length	6 m
- Packing unit	36 m

APPLICATIONS

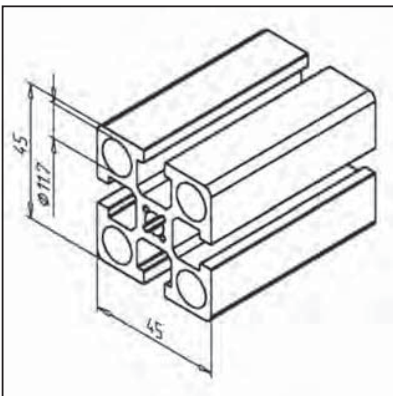
- General constructions

ASSEMBLY

- MiniTec power-lock fastener
- Angle 19 / 25 / 45 / 45 x 90 GD-Z
- Bolt-fastener 20
- Screw connection

PROFILE 45 X 45

part no. 20.1006/0



TECHN. DATA / ITEMS SUPPLIED

- I _x =	15,934 cm ⁴
- I _y =	15,934 cm ⁴
- W _x =	7,081 cm ³
- W _y =	7,081 cm ³
- Weight	2,205 kg/m
- Length	6 m
- Packing unit	36 m

APPLICATIONS

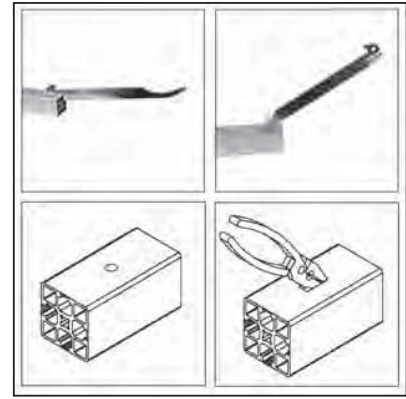
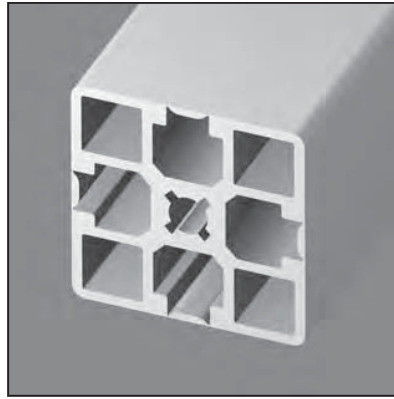
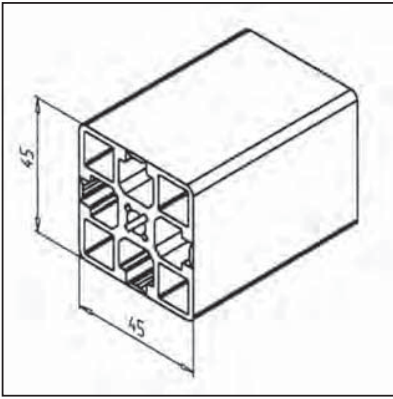
- General constructions
- Compressed air piping
- Linear guides

ASSEMBLY

- MiniTec power-lock fastener
- Angle 25 / 45, bolt-fastener, screw connection
- Bores Ø 11,7 mm reborable for piping thread G 1/4" for connection of blanking screws or pneumatic elements
- Lateral connections G 1/8" direct into the profile.

PROFILE 45 X 45 G

part no. 20.1028/0



TECHN. DATA / ITEMS SUPPLIED

- lx =	14,087 cm ⁴
- ly =	14,087 cm ⁴
- wx =	6,261 cm ³
- wy =	6,261 cm ³
- Weight	1,997 kg/m
- Length	6 m
- Packing unit	36 m

APPLICATIONS

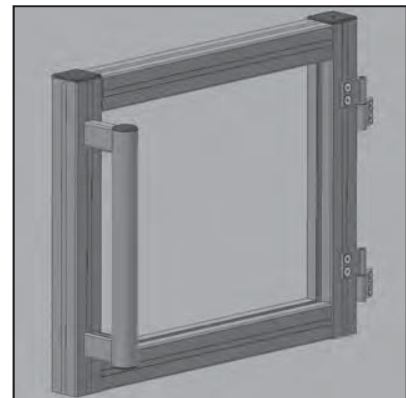
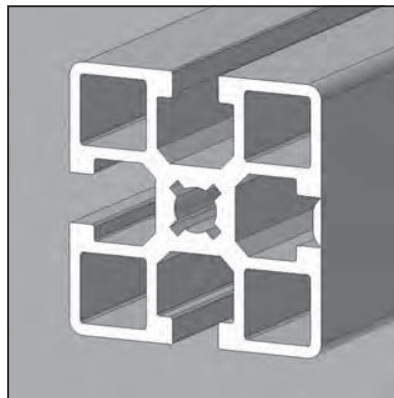
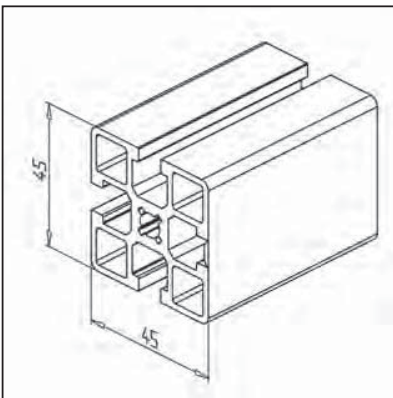
- General constructions, particularly for use in the food industry, in medical engineering and for the filling of beverages, where strict hygienic standards are set
- Grooves can be closed with the aluminium cover profile L, **part no. 20.1021/0**, when opened too far
- Silicon sealings for profile connections on request

ASSEMBLY

- For tightening the MiniTec power-lock fastener, the groove cover must be opened by tear-off lever **part no. 26.0815/0** at the profile end. Opening can be covered with end cap profile G **part no. 22.1056/1**
- Angle 25 / 45
- The grooves can be opened up to any length with the tear-off lever **part no. 26.0815/0**

PROFILE 45 X 45 1G

part no. 20.1126/0



TECHN. DATA / ITEMS SUPPLIED

- lx =	13,617 cm ⁴
- ly =	14,091 cm ⁴
- wx =	6,052 cm ³
- wy =	6,262 cm ³
- Weight	1,897 kg/m
- Length	6 m
- Packing unit	36 m

APPLICATIONS

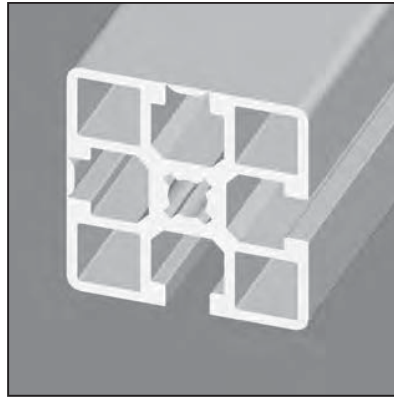
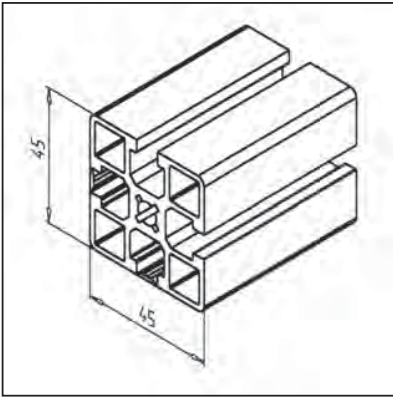
- Groove cover can be torn out
- General constructions, particularly for use in the food industry, in medical engineering and for the filling of beverages, where strict hygienic standards are set
- Opened groove can be closed with the aluminium cover profile L, **part no. 20.1021/0**
- Silicon sealings for profile connections on request

ASSEMBLY

- For tightening power-lock fastener, the groove cover must be opened with tear-off lever, **part no. 26.0815/0** at the profile end
- Cover opened groove with end cap G **part no. 22.1056/0**
- Angle 25 / 45

PROFILE 45 X 45 2G

part no. 20.1072/0

**TECHN. DATA / ITEMS SUPPLIED**

- Ix =	13,549 cm ⁴
- Iy =	13,549 cm ⁴
- wx =	5,938 cm ³
- wy =	5,938 cm ³
- Weight	1,925 kg/m
- Length	6 m
- Packing unit	36 m

APPLICATIONS

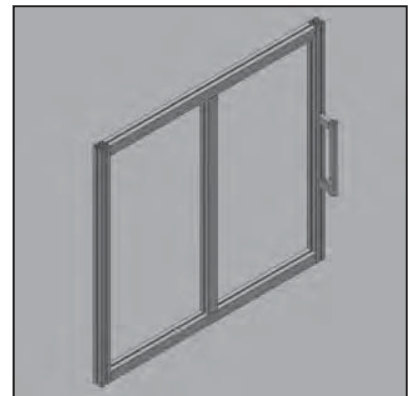
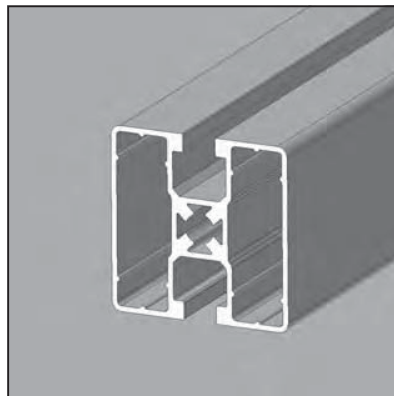
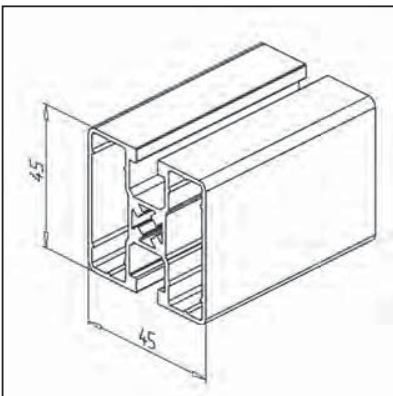
- General engineering structures, particularly for use in the food industry, in medical engineering and for the filling of beverages, where strict hygienic standards are set
- Grooves can be closed with the aluminium cover profile L, **part no. 20.1021/0**, when opened too far
- Silicon sealings for profile connections on request

ASSEMBLY

- For tightening power-lock fastener, the groove cover must be opened with tear-off lever, **part no. 26.0815/0** at the profile end
- Cover with end cap G **part no. 22.1056/1**
- Angle 25 / 45

PROFILE 45 X 45 UL 2GG

part no. 20.1122/0

**TECHN. DATA / ITEMS SUPPLIED**

- Ix =	9,974 cm ⁴
- Iy =	8,553 cm ⁴
- wx =	4,432 cm ³
- wy =	3,801 cm ³
- Weight	1,254 kg/m
- Length	6 m
- Packing unit	54 m

APPLICATIONS

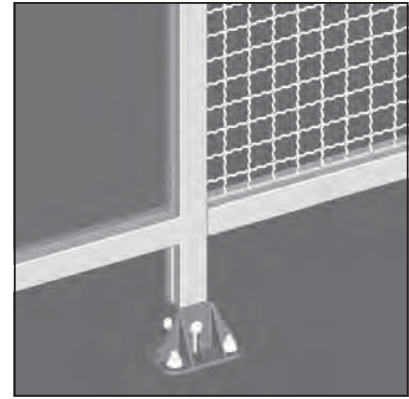
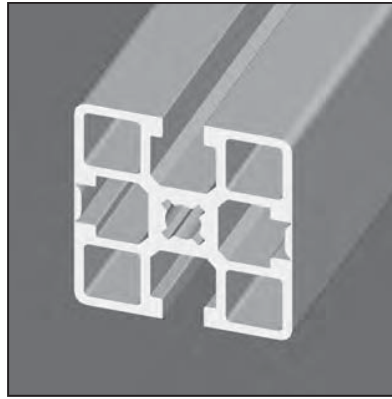
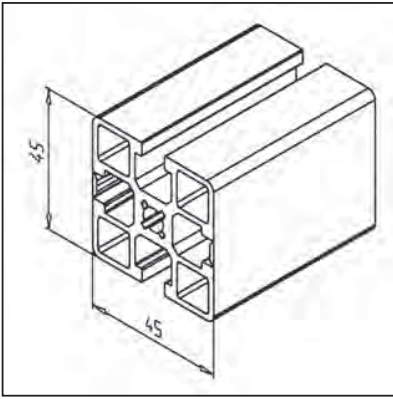
- Weight optimized constructions
- General constructions, particularly for use in the food industry, in medical engineering and for the filling of beverages, where strict hygienic standards are set
- Silicon sealings for profile connections on request

ASSEMBLY

- MiniTec power-lock fastener
- Angle 19 / 25 / 45 / 45 x 90
- Bolt-fastener 20
- Screw connection

PROFILE 45 X 45 2GG

part no. 20.1099/0



TECHN. DATA / ITEMS SUPPLIED

- Ix =	13,069 cm ⁴
- Iy =	14,045 cm ⁴
- wx =	5,808 cm ³
- wy =	6,242 cm ³
- Weight	1,925 kg/m
- Length	6 m
- Packing unit	36 m

APPLICATIONS

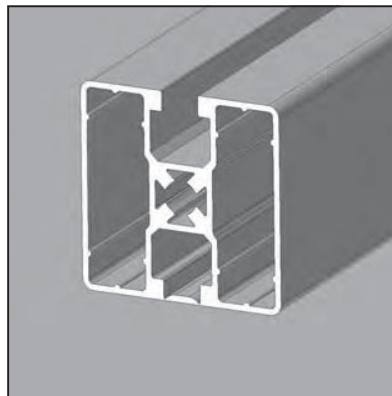
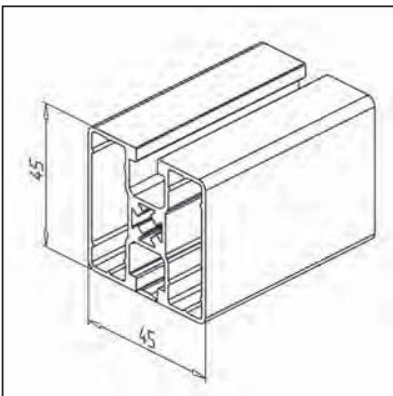
- General constructions, particularly for use in the food industry, in medical engineering and for the filling of beverages, where strict hygienic standards are set
- Grooves can be closed with the aluminium cover profile L, **part no. 20.1021/0**, when opened too far
- Silicon sealings for profile connections on request

ASSEMBLY

- For tightening power-lock fastener, the groove cover must be opened with tear-off lever, **part no. 26.0815/0** at the profile end
- Cover with end cap G **part no. 22.1056/1**
- Angle 25 / 45

PROFILE 45 X 45 UL 3G

part no. 20.1123/0



TECHN. DATA / ITEMS SUPPLIED

- Ix =	10,44 cm ⁴
- Iy =	8,557 cm ⁴
- wx =	4,64 cm ³
- wy =	3,803 cm ³
- Weight	1,281 kg/m
- Length	6 m
- Packing unit	54 m

APPLICATIONS

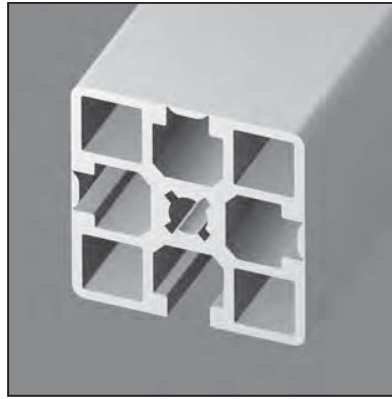
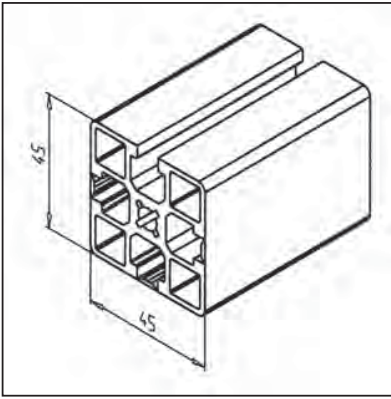
- Groove cover can be torn out
- Weight optimized constructions
- General constructions, particularly useful in the food industry, in medical engineering and for the filling of beverages, where strict hygienic standards are set
- Silicon sealings for profile connections on request

ASSEMBLY

- MiniTec power-lock fastener
- Angle 19 / 25 / 45 / 45 x 90
- Screw connection

PROFILE 45 X 45 3G

part no. 20.1048/0



TECHN. DATA / ITEMS SUPPLIED

- Ix =	13,554 cm ⁴
- Iy =	14,049 cm ⁴
- wx =	5,941 cm ³
- wy =	6,244 cm ³
- Weight	1,953 kg/m
- Length	6 m
- Packing unit	36 m

APPLICATIONS

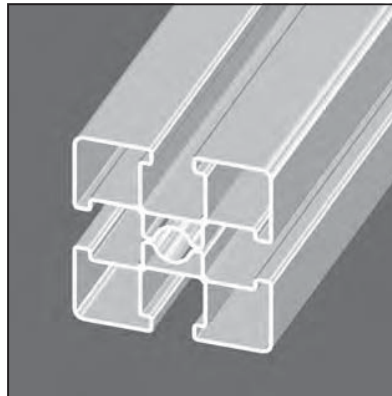
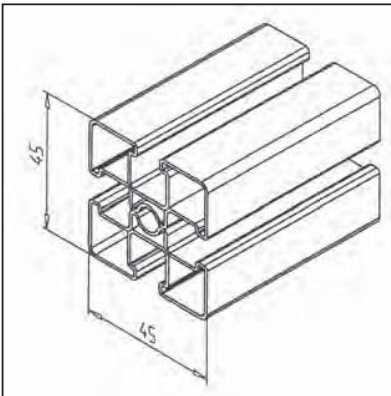
- General constructions, particularly useful in the food industry, in medical engineering and for the filling of beverages, where strict hygienic standards are set
- Grooves can be closed with the aluminium cover profile L, **part no. 20.1021/0**
- Silicon sealings for profile connections on request

ASSEMBLY

- For tightening power-lock fastener, the groove cover must be opened with tear-off lever, **part no. 26.0815/0** at the profile end
- Cover with end cap G **part no. 22.1056/1**
- Angle 25 / 45
- The grooves can be opened up to any length with the tear-off lever **part no. 26.0815/0**

PROFILE 45 X 45 VA

part no. 20.2000/0



TECHN. DATA / ITEMS SUPPLIED

- Material: WN DIN 1.4301 (x5 Cr Ni 18-10, SUS 304)	
- Ix =	6,47 cm ⁴
- Iy =	6,47 cm ⁴
- wx =	2,88 cm ³
- wy =	2,88 cm ³
- Weight	2,85 kg/m
- Length	6 m
- Packing unit	40 m

APPLICATIONS

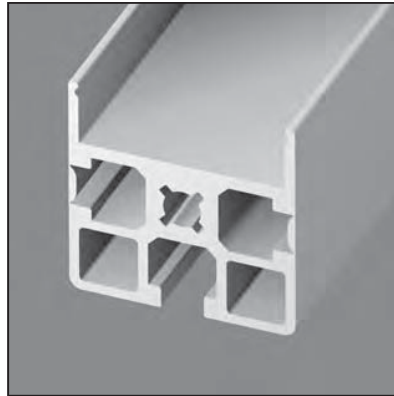
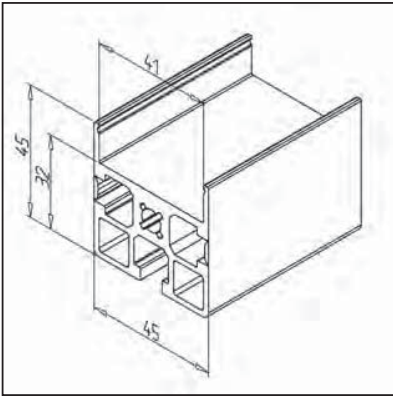
- Food and beverage industry
- Outdoor constructions
- Chemical industry
- Pharmaceutical industry
- High temperatures

ASSEMBLY

- Power-lock fastener H, **part no. 21.1018/1**
- Angles
- Screws M8, stainless

PROFILE 45 X 45 R

part no. 20.1046/0



TECHN. DATA / ITEMS SUPPLIED

- Ix =	8,296 cm ⁴
- Iy =	12,997 cm ⁴
- wx =	3,247 cm ³
- wy =	5,776 cm ³
- Weight	1,711 kg/m
- Length	6 m
- Packing unit	36 m

APPLICATIONS

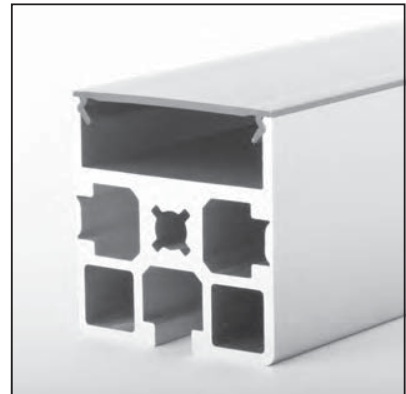
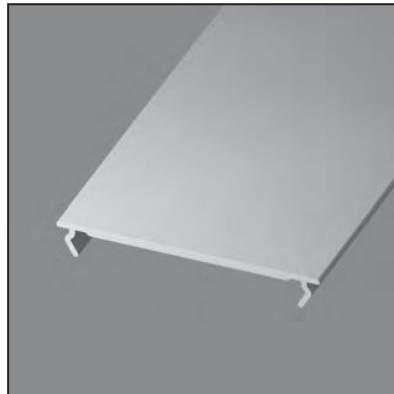
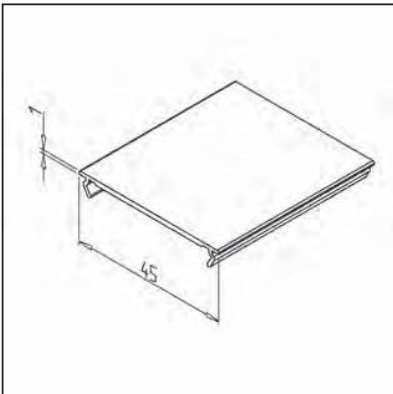
- Combination of constructional element and:
- Cable duct
- Guiding groove for belt conveyor
- Serpentine energy chain guide
- Multi-purpose conduit with snap on cover

ASSEMBLY

- MiniTec power-lock fastener
- The lateral grooves can be opened up to any length with the tear-off lever **part no. 26.0815/0**

COVER PROFILE 45 X 45 R

part no. 20.1037/0



TECHN. DATA / ITEMS SUPPLIED

- PVC impact resistant, grey	
- Weight	0,110 kg/m
- Length	2 m

APPLICATIONS

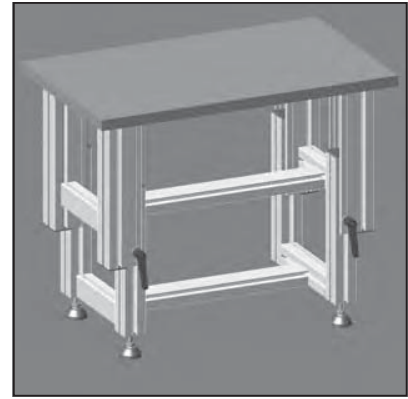
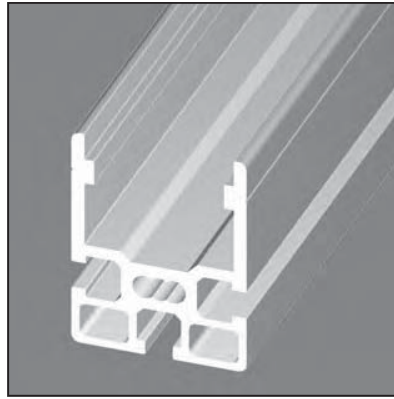
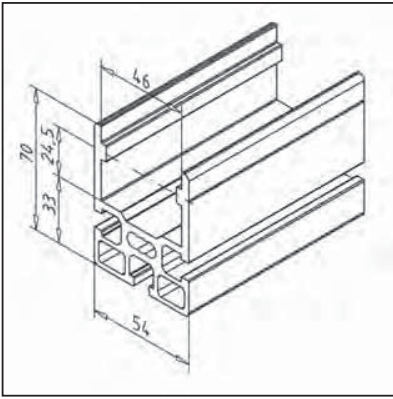
- Covering of profiles 45 x 45 R

ASSEMBLY

- Snaps onto profile 45 x 45 R

PROFILE HEIGHT ADJUSTMENT

part no. 20.1143/0



TECHN. DATA / ITEMS SUPPLIED

- Ix =	40,251 cm ⁴
- Iy =	39,822 cm ⁴
- wx =	9,624 cm ³
- wy =	14,749 cm ³
- Weight	2,94 kg/m
- Length	6 m
- Packing unit	24 m

APPLICATIONS

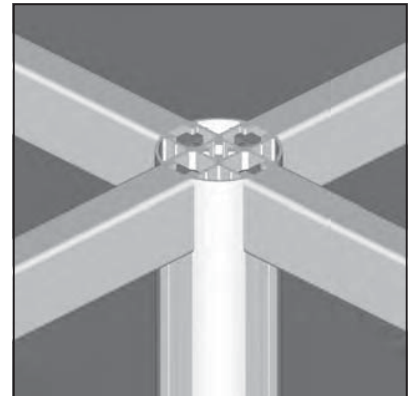
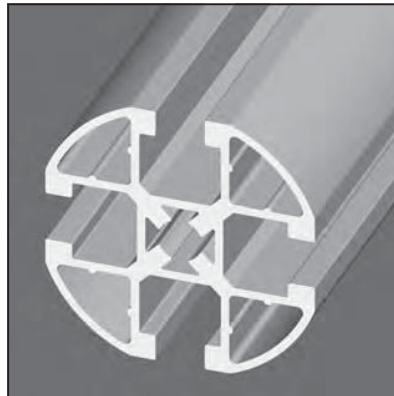
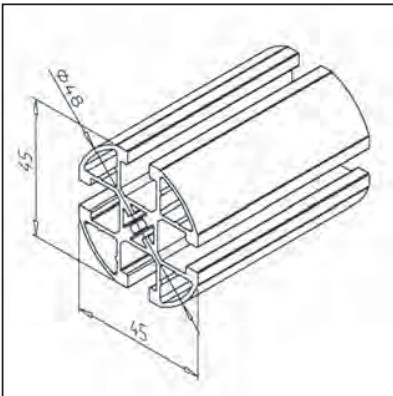
- Height adjustment
- Telescopic applications

ASSEMBLY

- When processed profile can be either clamped or snapped in

PROFILE 45 R 4

part no. 20.1120/0



TECHN. DATA / ITEMS SUPPLIED

- Ix =	8,163 cm ⁴
- Iy =	8,163 cm ⁴
- wx =	3,628 cm ³
- wy =	3,628 cm ³
- Weight	1,405 kg
- Length	6 m
- Packing unit	48 m

APPLICATIONS

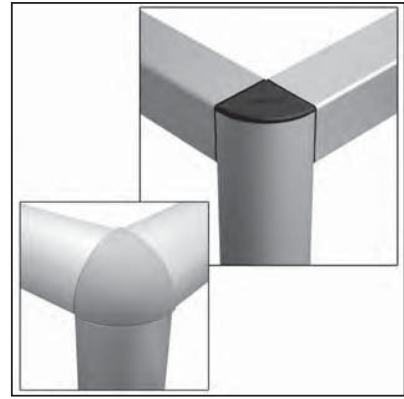
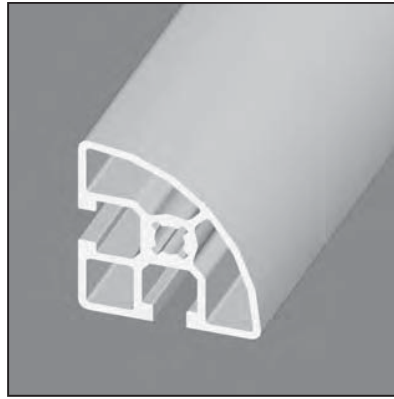
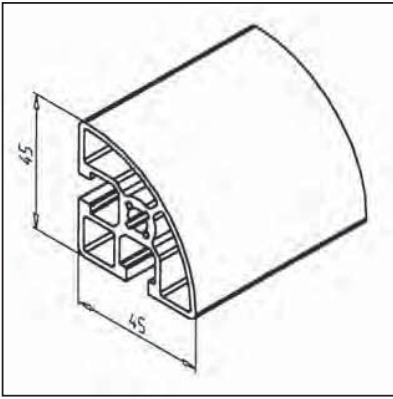
- Weight-optimised constructions
- Handrail
- Connection of profiles 19
- Handles with different length for doors and drawers

ASSEMBLY

- MiniTec Power lock fastener
- Angle 19 GD-Z, **part no. 21.2078/0**
- Screw connection

PROFILE 45 R 90°

part no. 20.1069/0



TECHN. DATA / ITEMS SUPPLIED

- Ix =	9,138 cm ⁴
- Iy =	9,138 cm ⁴
- wx =	3,581 cm ³
- wy =	3,581 cm ³
- Weight	1,478 kg/m
- Length	6 m
- Packing unit	48 m

APPLICATIONS

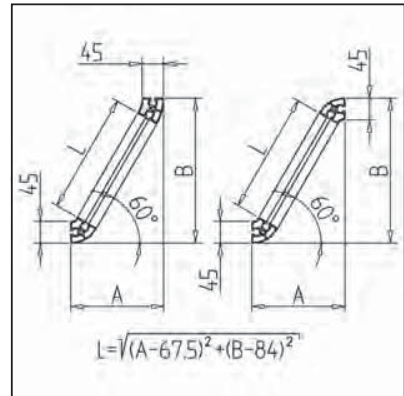
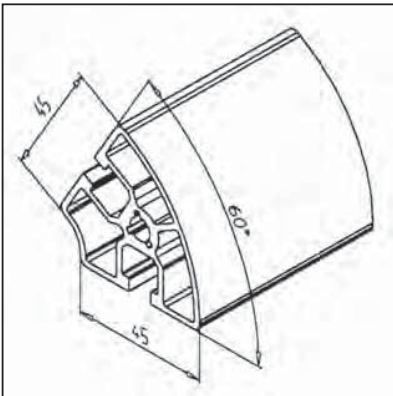
- Light construction
- Tables
- Racks
- Framework constructions

ASSEMBLY

- MiniTec power-lock fastener
- Angle 45 R 90°
- Cross bolt-fastener

PROFILE 45 R 60°

part no. 20.1096/0



TECHN. DATA / ITEMS SUPPLIED

- Ix =	11,446 cm ⁴
- Iy =	10,280 cm ⁴
- wx =	3,667 cm ³
- wy =	3,752 cm ³
- Weight	1,575 kg/m
- Length	6 m
- Packing unit	48 m

APPLICATIONS

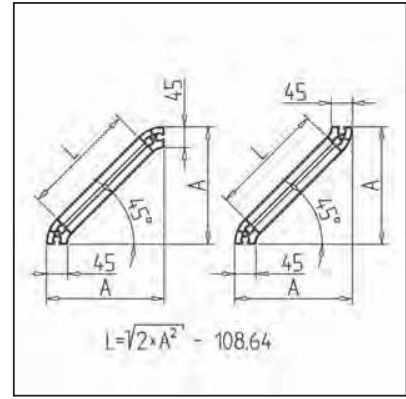
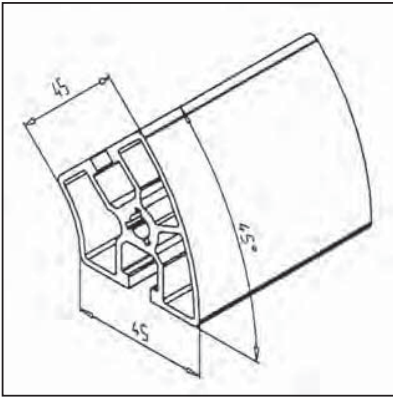
- Angled enclosures
- Tables
- Racks
- Framework constructions
- Bracings

ASSEMBLY

- MiniTec power-lock fastener
- Bolt-fastener

PROFILE 45 R 45°

part no. 20.1095/0



TECHN. DATA / ITEMS SUPPLIED

- Ix =	12,457 cm ⁴
- Iy =	11,296 cm ⁴
- wx =	3,976 cm ³
- wy =	3,837 cm ³
- Weight	1,607 kg/m
- Length	6 m
- Packing unit	48 m

APPLICATIONS

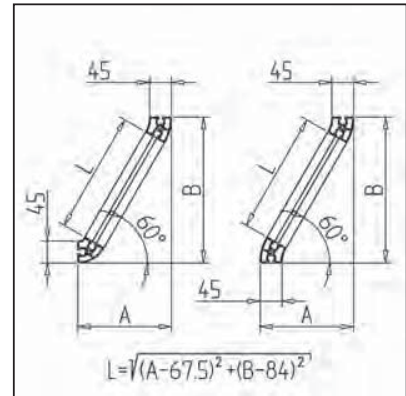
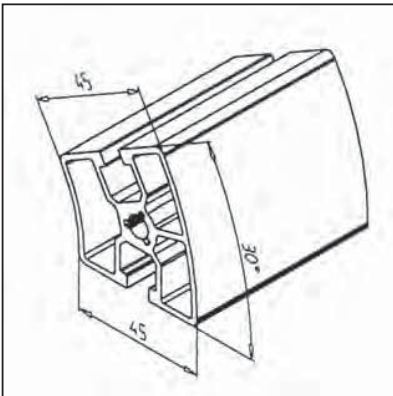
- Angled enclosures
- Tables
- Racks
- Framework constructions
- Bracings

ASSEMBLY

- MiniTec power-lock fastener
- Bolt-fastener

PROFILE 45 R 30°

part no. 20.1094/0



TECHN. DATA / ITEMS SUPPLIED

- Ix =	12,138 cm ⁴
- Iy =	11,006 cm ⁴
- wx =	4,018 cm ³
- wy =	3,883 cm ³
- Weight	1,626 kg/m
- Length	6 m
- Packing unit	48 m

APPLICATIONS

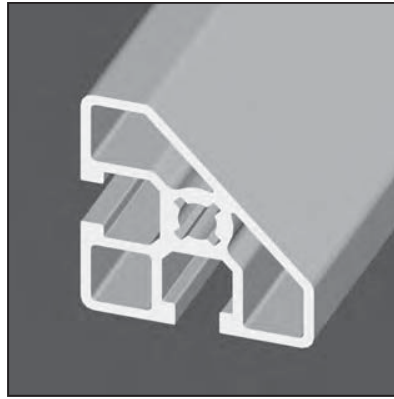
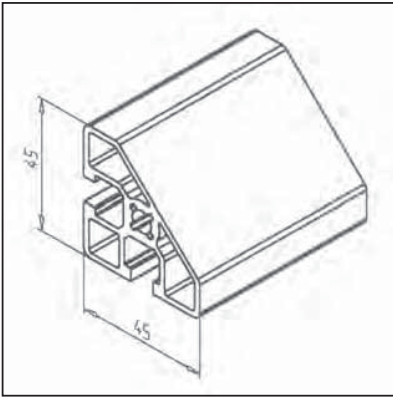
- Angled enclosures
- Tables
- Racks
- Framework constructions
- Bracings

ASSEMBLY

- MiniTec power-lock fastener
- Bolt-fastener

PROFILE 45 / 45°

part no. 20.1029/0



TECHN. DATA / ITEMS SUPPLIED

- Ix =	8,626 cm ⁴
- Iy =	8,626 cm ⁴
- wx =	3,315 cm ³
- wy =	3,315 cm ³
- Weight	1,443 kg/m
- Length	6 m
- Packing unit	48 m

APPLICATIONS

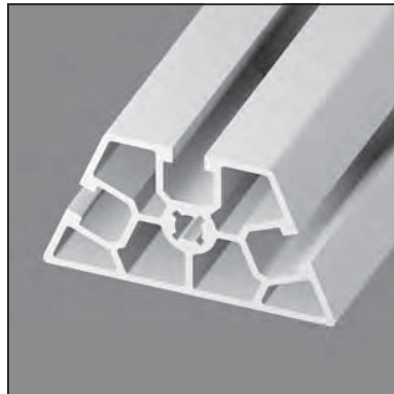
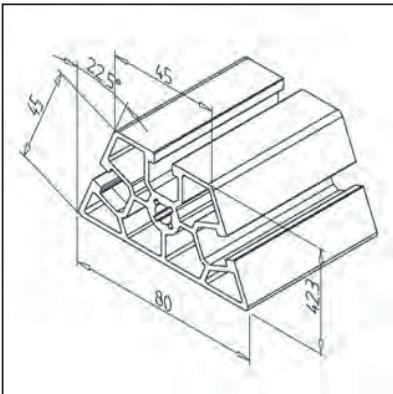
- Light construction
- Tables
- Framework constructions
- Bracings

ASSEMBLY

- MiniTec power-lock fastener
- Angle 45°
- Angle 45 / 90
- Bolt-fastener

PROFILE 45 / 22,5°

part no. 20.1030/0



TECHN. DATA / ITEMS SUPPLIED

- Ix =	14,506 cm ⁴
- Iy =	33,432 cm ⁴
- wx =	7,934 cm ³
- wy =	8,515 cm ³
- Weight	2,225 kg/m
- Length	6 m
- Packing unit	36 m

APPLICATIONS

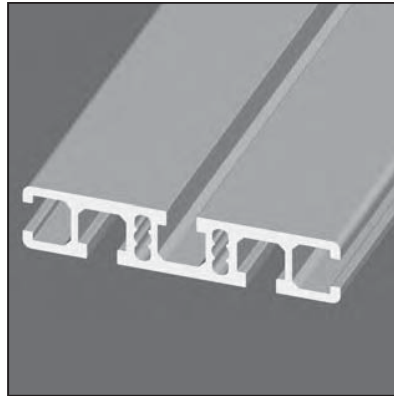
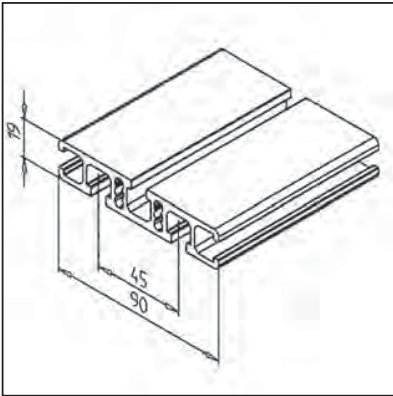
- Machine guards + angled enclosures
- Tables
- Connection of construction elements at an angle of 45°
- Bracings

ASSEMBLY

- MiniTec power-lock fastener
- Angle
- Bolt-fastener

PROFILE 19 X 90

part no. 20.0995/0



TECHN. DATA / ITEMS SUPPLIED

- Ix =	3,436 cm ⁴
- Iy =	45,455 cm ⁴
- wx =	3,493 cm ³
- wy =	10,101 cm ³
- Weight	1,919 kg/m
- Length	6 m
- Packing unit	48 m

APPLICATIONS

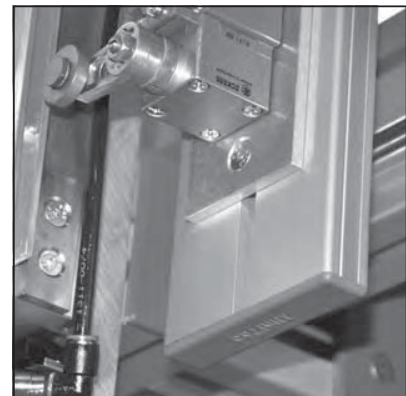
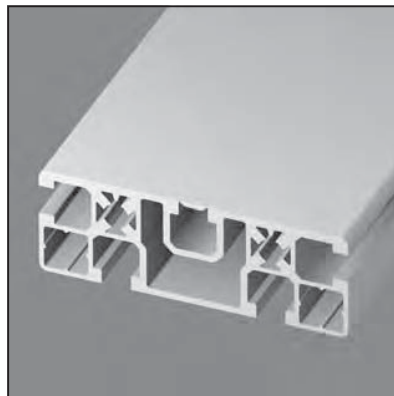
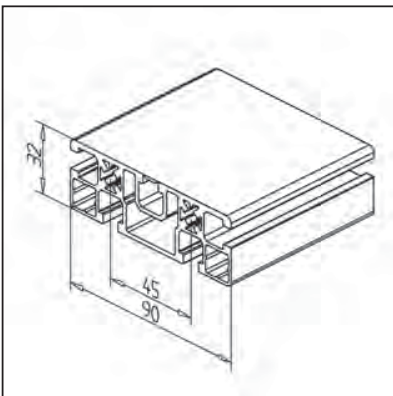
- Base plates
- Bearing surfaces
- Slide plate for linear guide
- Plates for floor fastening
- Showcases

ASSEMBLY

- Bolt-fastener
- Angle

PROFILE 90 X 32 UL

part no. 20.1066/0



TECHN. DATA / ITEMS SUPPLIED

- Ix =	10,627 cm ⁴
- Iy =	64,889 cm ⁴
- wx =	5,832 cm ³
- wy =	14,340 cm ³
- Weight	2,464 kg/m
- Length	6 m
- Packing unit	36 m

APPLICATIONS

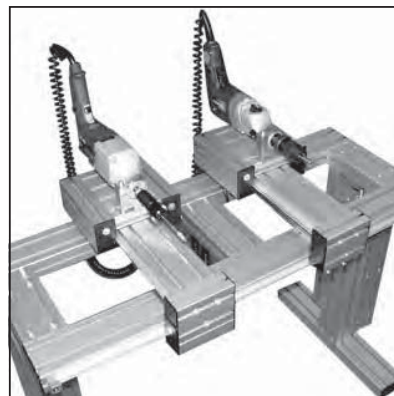
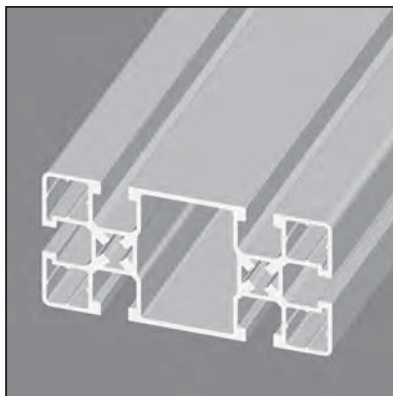
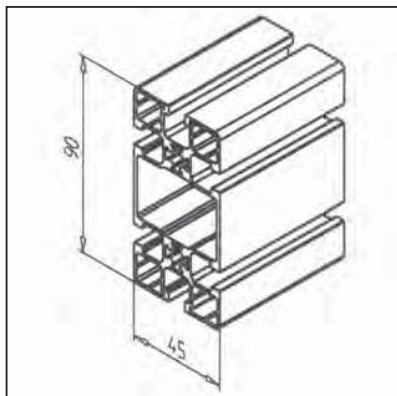
- General constructions
- General weight, optimized engineering structures
- Tables
- Racks
- Enclosures

ASSEMBLY

- MiniTec power-lock fastener
- Angle
- Screw connector
- The t-slot can be opened up to any length with the tear-off lever **part no. 26.0815/0**

PROFILE 45 X 90 UL

part no. 20.1067/0



TECHN. DATA / ITEMS SUPPLIED

- Ix =	73,907 cm ⁴
- Iy =	19,194 cm ⁴
- wx =	16,423 cm ³
- wy =	8,530 cm ³
- Weight	2,421 kg/m
- Length	6 m
- Packing unit	24 m

APPLICATIONS

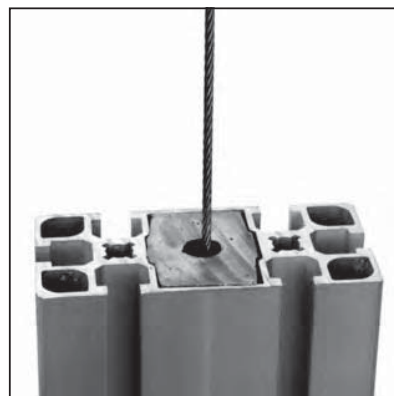
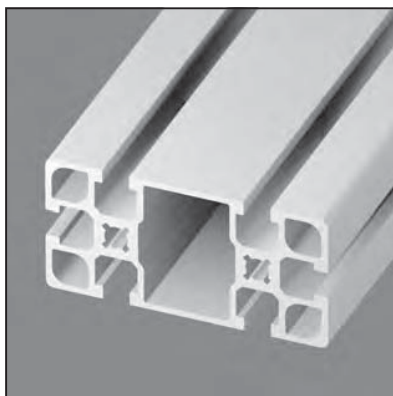
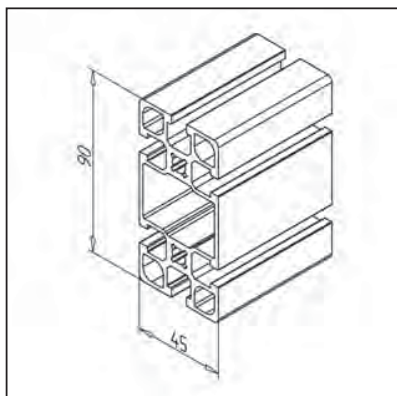
- General weight, optimized engineering structures
- Counterweighted sliding doors and devices

ASSEMBLY

- MiniTec power-lock fastener
- Angle 19 / 25 / 45 / 45 x 90 GD-Z
- Bolt-fastener 20
- Screw connection

PROFIL 45 X 90 F

part no. 20.1032/0



TECHN. DATA / ITEMS SUPPLIED

- Ix =	100,988 cm ⁴
- Iy =	24,340 cm ⁴
- wx =	22,441 cm ³
- wy =	10,818 cm ³
- Weight	3,134 kg/m
- Length	6 m
- Packing unit	24 m

APPLICATIONS

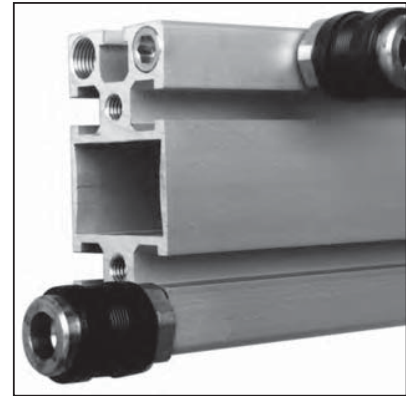
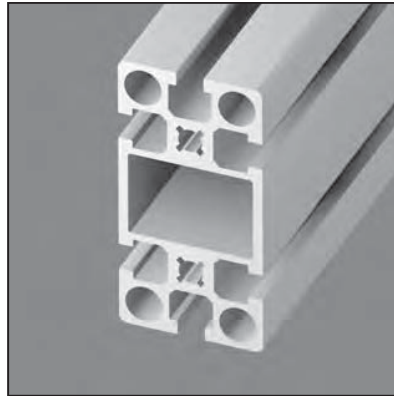
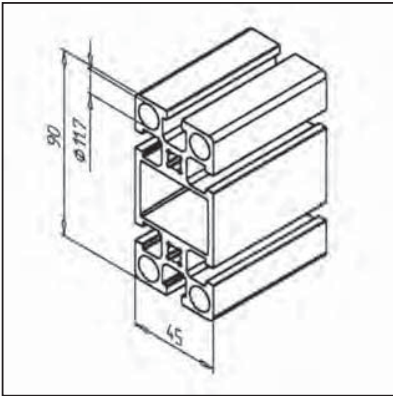
- General constructions
- Counterweighted vertical doors

ASSEMBLY

- MiniTec power-lock fastener
- Angle 19 / 25 / 45 / 45 x 90 GD-Z
- Bolt-fastener 20

PROFILE 45 X 90

part no. 20.1009/0



TECHN. DATA / ITEMS SUPPLIED

- Ix =	113,205 cm ⁴
- Iy =	28,584 cm ⁴
- wx =	25,156 cm ³
- wy =	12,704 cm ³
- Weight	3,667 kg/m
- Length	6 m
- Packing unit	24 m

APPLICATIONS

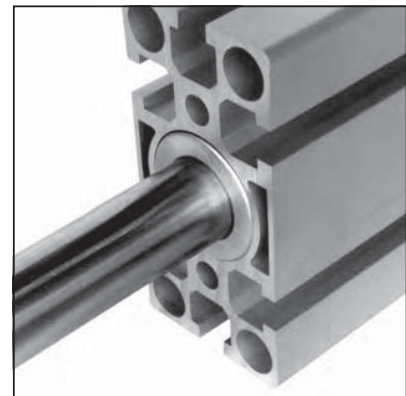
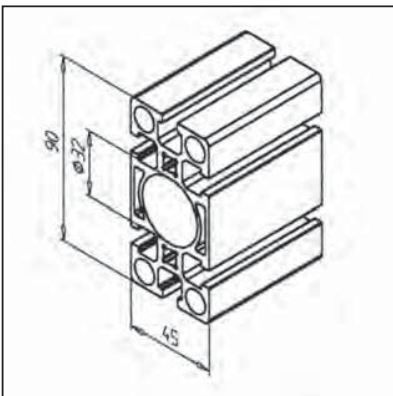
- General heavy duty construction
- 4 cavities for compressed air piping
- Cavity is not suitable for counterweights

ASSEMBLY

- MiniTec power-lock fastener
- Angle 25 / 45 / 90
- Bolt-fastener
- Bores Ø 11,7 mm reborable for piping thread G 1/4" for connection of blanking screws or pneumatic elements
- Lateral connections G 1/8" direct into the profile

PROFILE 45 X 90 S

part no. 20.1017/0



TECHN. DATA / ITEMS SUPPLIED

- Ix =	113,487 cm ⁴
- Iy =	30,719 cm ⁴
- wx =	25,219 cm ³
- wy =	13,653 cm ³
- Weight	3,860 kg/m
- Length	6 m
- Packing unit	24 m

APPLICATIONS

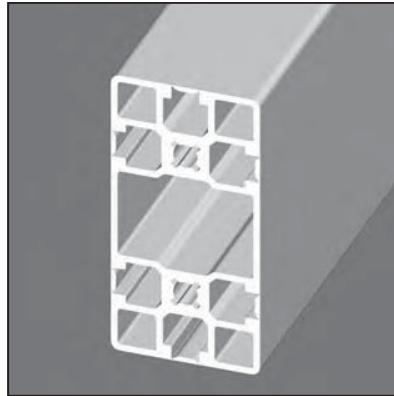
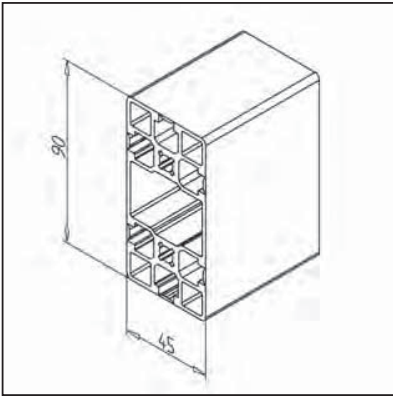
- General constructions
- Linear guides LB as slide
- Pillar guides
- Use as a compressed air line with connecting plate and seal kit
- Central bore Ø 32 mm for ball-bushings LME 20, for ball-bearings 6201 or 6002, for compressed air piping or guiding of hydraulic add-in cylinders

ASSEMBLY

- MiniTec power-lock fastener
- Angle 45 / 90
- Screw connection

PROFILE 45 X 90 G

part no. 20.1015/0



TECHN. DATA / ITEMS SUPPLIED

- Ix =	101,241 cm ⁴
- Iy =	25,318 cm ⁴
- wx =	22,498 cm ³
- wy =	11,252 cm ³
- Weight	3,191 kg/m
- Length	6 m
- Packing unit	24 m

APPLICATIONS

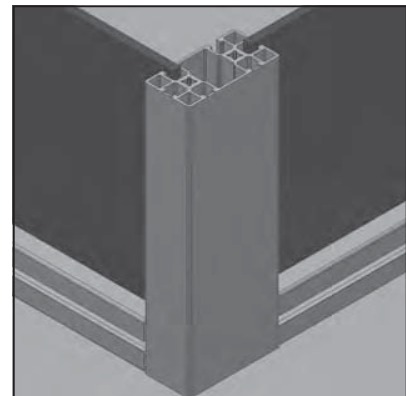
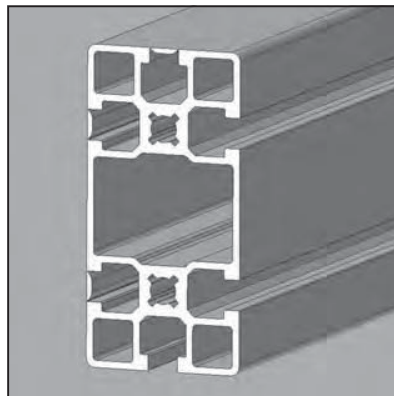
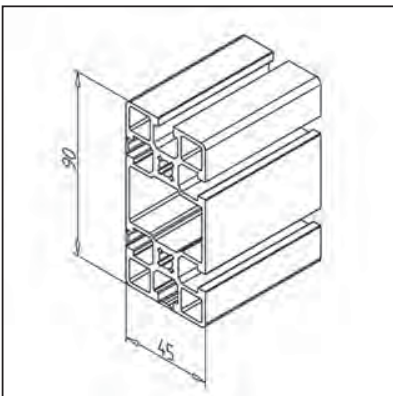
- General constructions, particularly useful in the food industry, in medical engineering and for the filling of beverages, where strict hygienic standards are set
- Cavity is suitable for counterweights

ASSEMBLY

- MiniTec power-lock fastener
- All 6 grooves can be opened up to the length desired
- Groove cover be removed using tear-off lever **part no. 26.0815/0**

PROFILE 45 X 90 2 G

part no. 20.1081/0



TECHN. DATA / ITEMS SUPPLIED

- Ix =	98,137 cm ⁴
- Iy =	24,317 cm ⁴
- wx =	21,808 cm ³
- wy =	10,807 cm ³
- Weight	3,108 kg/m
- Length	6 m
- Packing unit	24 m

APPLICATIONS

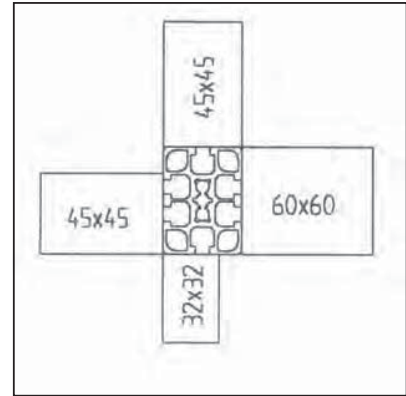
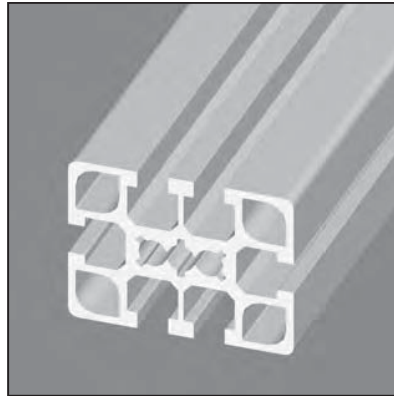
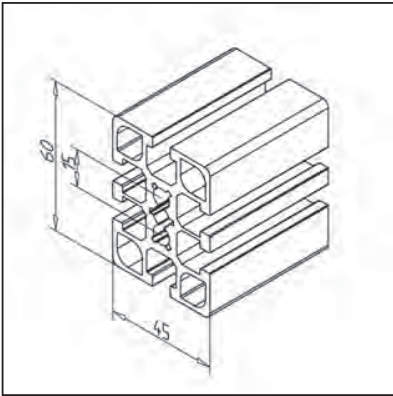
- Groove cover can be torn out
- General constructions, particularly useful in the food industry, in medical engineering and for the filling of beverages, where strict hygienic standards are set
- Cavity is suitable for counterweights

ASSEMBLY

- MiniTec power-lock fastener
- Groove cover be removed using tear-off lever **part no. 26.0815/0**

PROFILE 45 X 60 F

part no. 20.1023/0



TECHN. DATA / ITEMS SUPPLIED

- I _x =	32,068 cm ⁴
- I _y =	17,587 cm ⁴
- w _x =	10,689 cm ³
- w _y =	7,816 cm ³
- Weight	2,603 kg/m
- Length	6 m
- Packing unit	24 m

APPLICATIONS

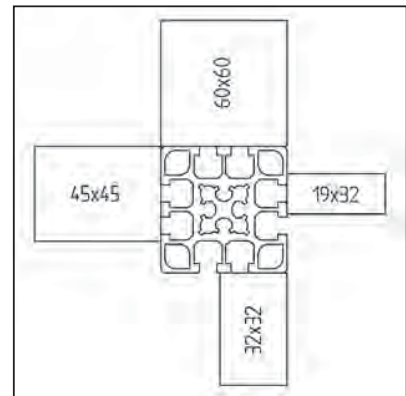
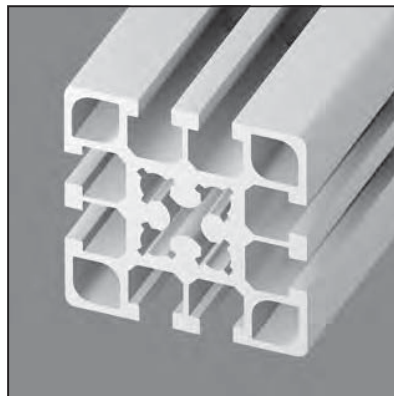
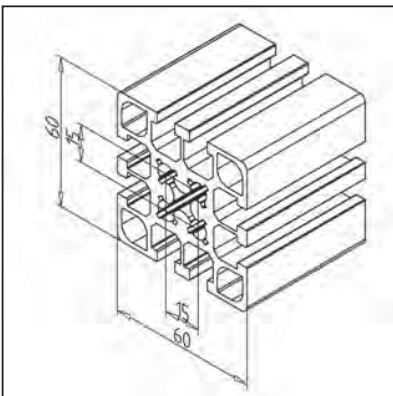
- Universal for general constructions
- Corner post in large guard units

ASSEMBLY

- MiniTec power-lock fastener
- Angle 19 / 25 / 45 / 45 x 90
- Central boring for thread M8

PROFILE 60 X 60 F

part no. 20.1049/0



TECHN. DATA / ITEMS SUPPLIED

- I _x =	40,715 cm ⁴
- I _y =	40,715 cm ⁴
- w _x =	13,571 cm ³
- w _y =	13,571 cm ³
- Weight	3,655 kg/m
- Length	6 m
- Packing unit	24 m

APPLICATIONS

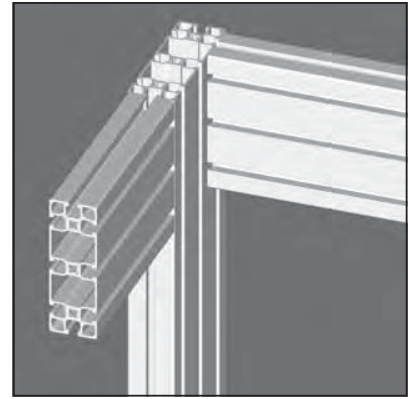
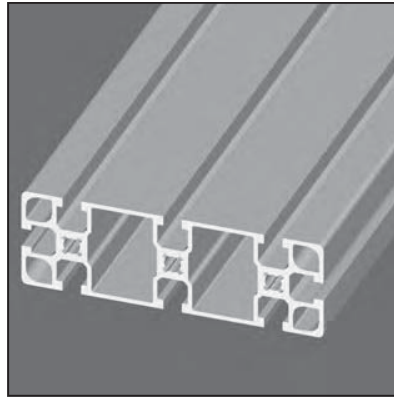
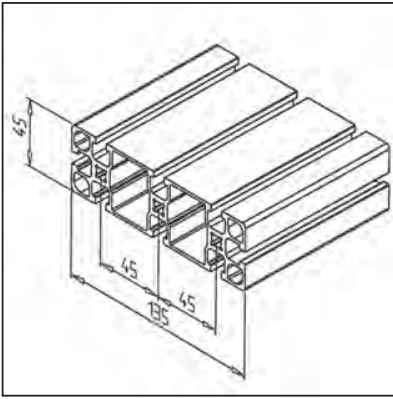
- Universal for general constructions
- Corner post in large guard units

ASSEMBLY

- MiniTec power-lock fastener
- Angle 19 / 25 / 45 / 45 x 90
- Central boring for thread M10

PROFILE 45 X 135 F

part no. 20.1087/0



TECHN. DATA / ITEMS SUPPLIED

- I _x =	34,958 cm ⁴
- I _y =	307,866 cm ⁴
- W _x =	15,537 cm ³
- W _y =	45,609 cm ³
- Weight	4,319 kg/m
- Length	6 m
- Packing unit	12 m

APPLICATIONS

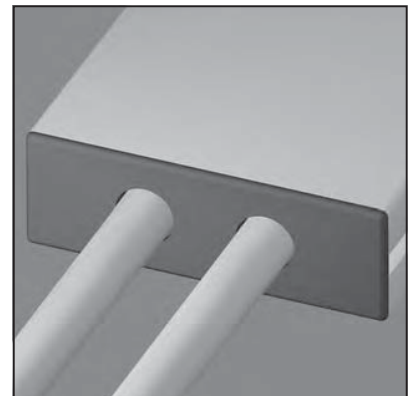
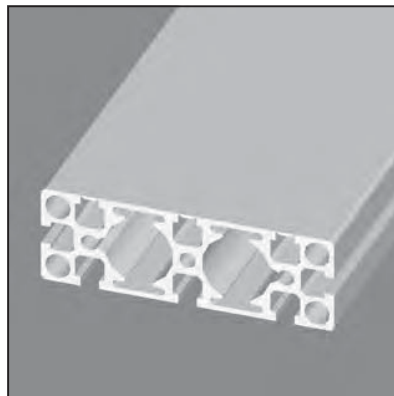
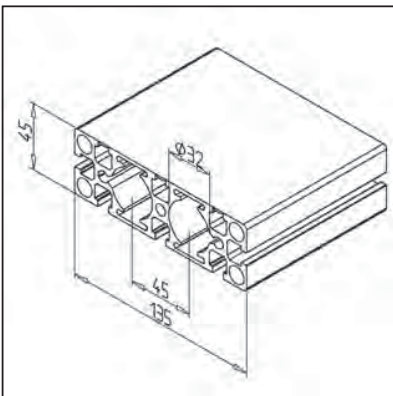
- General constructions
- Cavity is suitable for counterweights

ASSEMBLY

- MiniTec power-lock fastener
- Angle 19 / 25 / 45 / 45 x 90
- Bolt-fastener

PROFILE 45 X 135 1G

part no. 20.1078/0



TECHN. DATA / ITEMS SUPPLIED

- I _x =	47,064 cm ⁴
- I _y =	359,242 cm ⁴
- W _x =	20,618 cm ³
- W _y =	53,221 cm ³
- Weight	5,570 kg/m
- Length	6 m
- Packing unit	12 m

APPLICATIONS

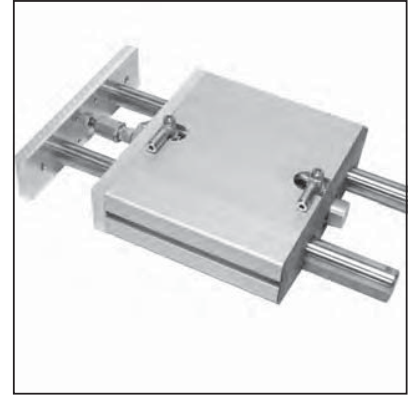
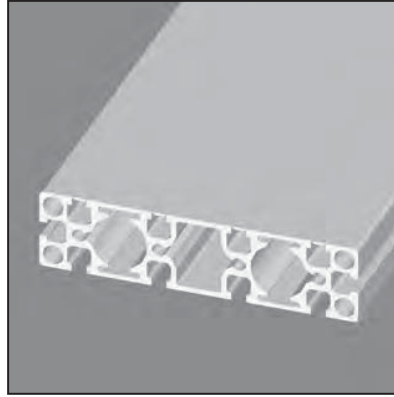
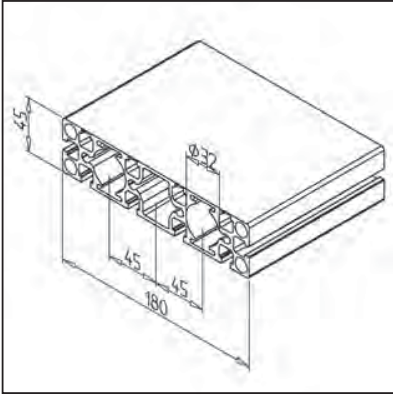
- General constructions, particularly useful in the food industry, in medical engineering and for the filling of beverages, where strict hygienic standards are set
- Linear guides as slide
- Central bore Ø 32 mm for ball-bushings LME 20, for ball-bearings 6201 or 6002, for compressed air piping or guiding of hydraulic add-in cylinders

ASSEMBLY

- MiniTec power-lock fastener
- 3 closed t-slots can be opened up to any length with the tear-off lever
- part no. 26.0815/0**

PROFILE 45 X 180 1G

part no. 20.1079/0



TECHN. DATA / ITEMS SUPPLIED

- I _x =	61,015 cm ⁴
- I _y =	810,885 cm ⁴
- W _x =	26,704 cm ³
- W _y =	90,097 cm ³
- Weight	6,954 kg/m
- Length	6 m
- Packing unit	12 m

APPLICATIONS

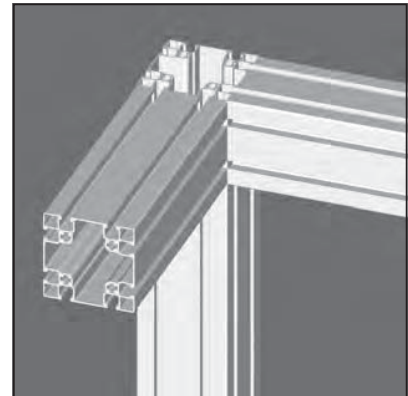
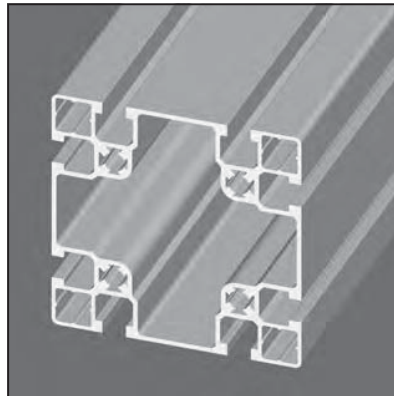
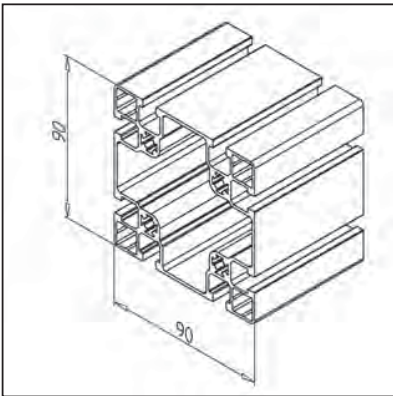
- General constructions, particularly useful in the food industry, in medical engineering and for the filling of beverages, where strict hygienic standards are set
- Linear guides LB as slide
- Central bore Ø 32 mm for ball-bushings LME 20, for ball-bearings 6201 or 6002, for compressed air piping or guiding of hydraulic add-in cylinders

ASSEMBLY

- MiniTec power-lock fastener
- 4 closed t-slots can be opened up to any length with the tear-off lever **part no. 26.0815/0**

PROFIL 90 X 90 UL

part no. 20.0999/0



TECHN. DATA / ITEMS SUPPLIED

- I _x =	132,001 cm ⁴
- I _y =	132,001 cm ⁴
- W _x =	29,334 cm ³
- W _y =	29,334 cm ³
- Weight	3,776 kg/m
- Length	6 m
- Packing unit	12 m

APPLICATIONS

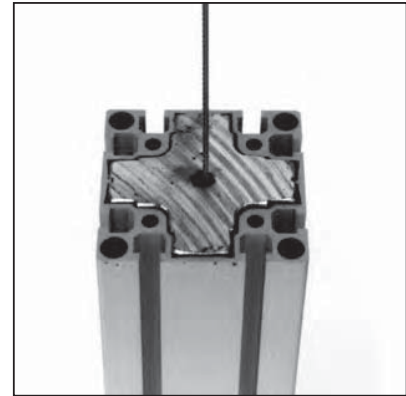
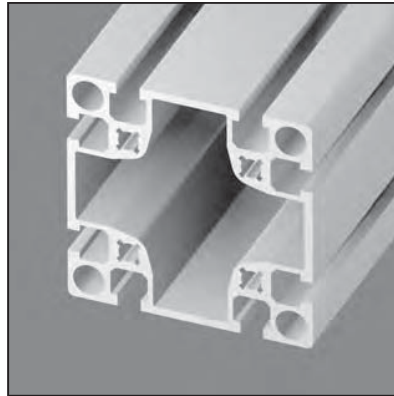
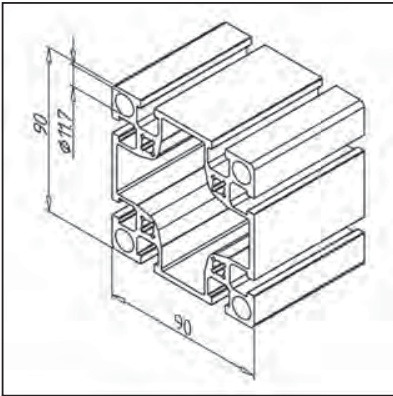
- Weight optimized constructions
- Cavity is suitable for counterweights

ASSEMBLY

- MiniTec power-lock fastener
- Angle 45 GD-Z or 90 GD-Z
- Screw connection
- Bolt-fastener

PROFILE 90 X 90 L

part no. 20.1010/0



TECHN. DATA / ITEMS SUPPLIED

- Ix =	186,260 cm ⁴
- Iy =	186,260 cm ⁴
- wx =	41,391 cm ³
- wy =	41,391 cm ³
- Weight	5,222 kg/m
- Length	6 m
- Packing unit	12 m

APPLICATIONS

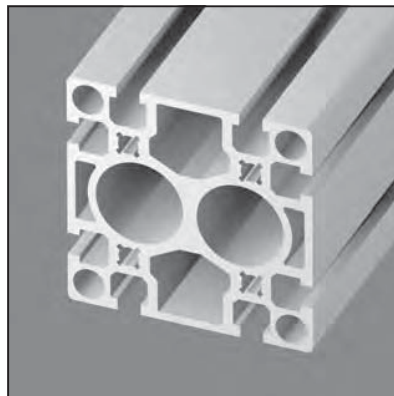
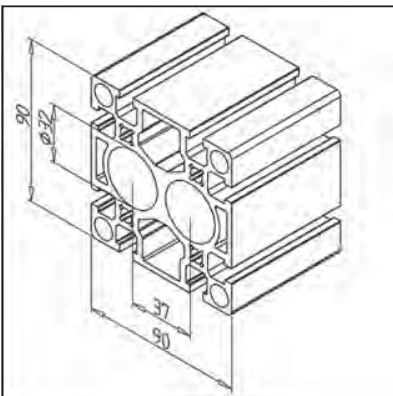
- General heavy duty applications
- Cavity is suitable for counterweights

ASSEMBLY

- MiniTec power-lock fastener
- Angle 45 GD-Z or 90 GD-Z
- Screw connection
- Bolt-fastener 20

PROFILE 90 X 90 S

part no. 20.1019/0



TECHN. DATA / ITEMS SUPPLIED

- Ix =	223,949 cm ⁴
- Iy =	208,888 cm ⁴
- wx =	49,766 cm ³
- wy =	46,419 cm ³
- Weight	7,514 kg/m
- Length	6 m
- Packing unit	12 m

APPLICATIONS

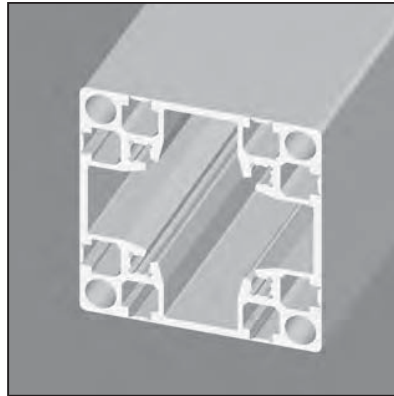
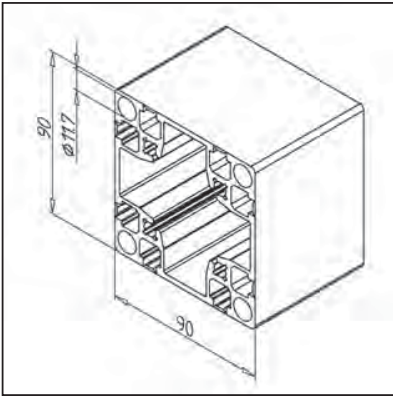
- General heavy duty constructions
- Linear guides LB as slide
- Central bore Ø 32 mm for ball-bushings LME 20, for ball-bearings 6201 or 6002, for compressed air piping or guiding of hydraulic add-in cylinders

ASSEMBLY

- MiniTec power-lock fastener
- Angle 45 or 90
- Screw connection

PROFILE 90 X 90 G

part no. 20.1082/0

**TECHN. DATA / ITEMS SUPPLIED**

- lx =	195,271 cm ⁴
- ly =	195,271 cm ⁴
- wx =	43,393 cm ³
- wy =	43,393 cm ³
- Weight	5,329 kg/m
- Length	6 m
- Packing unit	12 m

APPLICATIONS

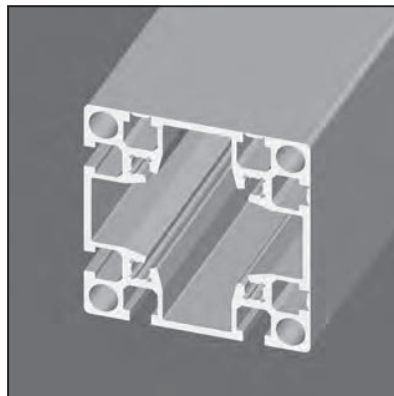
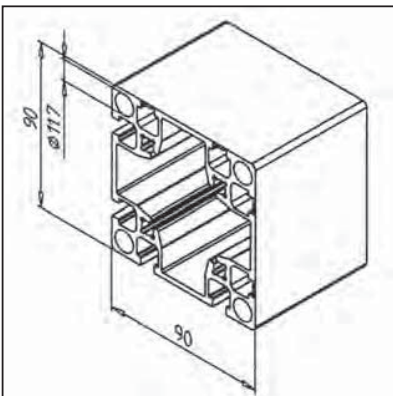
- Groove cover can be torn out
- General constructions, particularly useful in the food industry, in medical engineering and for the filling of beverages, where strict hygienic standards are set
- Cavity is suitable for counterweights

ASSEMBLY

- MiniTec power-lock fastener
- 8 closed t-slots can be opened up to any length with the tear-off lever **part no. 26.0815/0**

PROFILE 90 X 90 2 G

part no. 20.1044/0

**TECHN. DATA / ITEMS SUPPLIED**

- lx =	190,169 cm ⁴
- ly =	190,178 cm ⁴
- wx =	41,825 cm ³
- wy =	42,707 cm ³
- Weight	5,217 kg/m
- Length	6 m
- Packing unit	12 m

APPLICATIONS

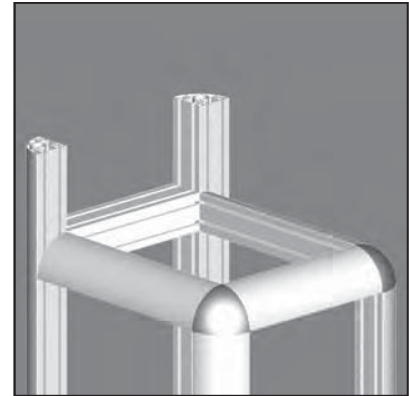
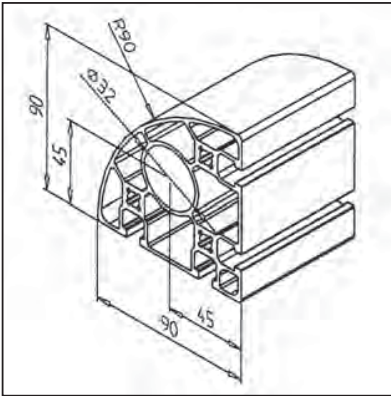
- Groove cover can be torn out
- General constructions, particularly useful in the food industry, in medical engineering and for the filling of beverages, where strict hygienic standards are set
- Cavity is suitable for counterweights

ASSEMBLY

- MiniTec power-lock fastener
- 4 closed t-slots can be opened up to any length with the tear-off lever **part no. 26.0815/0**

PROFILE 90 R 90°

part no. 20.1091/0



TECHN. DATA / ITEMS SUPPLIED

- Ix =	113,389 cm ⁴
- Iy =	113,389 cm ⁴
- wx =	21,874 cm ³
- wy =	21,874 cm ³
- Weight	4,265 kg/m
- Length	6 m
- Packing unit	12 m

APPLICATIONS

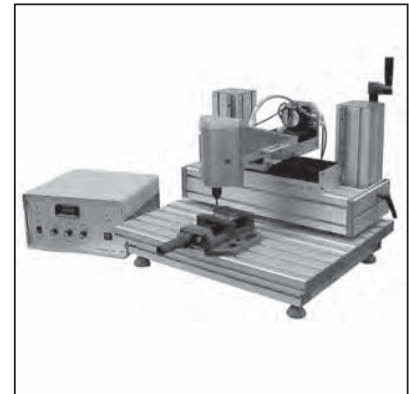
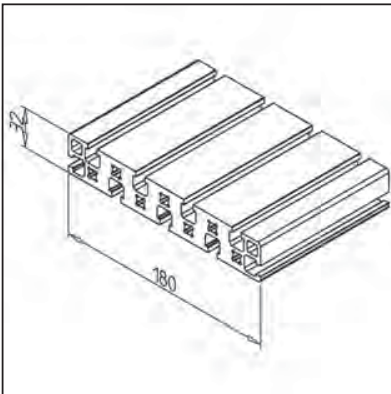
- Tables, frames
- General constructions

ASSEMBLY

- MiniTec power-lock fastener
- Angle
- Cross bolt-fastener
- Bolt-fastener
- End cap, **part no. 22.1021/1**
- Base and transport plate M10 - M20
- Corner Connection 90 R 90°

PROFILE 32 X 180

part no. 20.1016/0



TECHN. DATA / ITEMS SUPPLIED

- Ix =	33,804 cm ⁴
- Iy =	843,825 cm ⁴
- wx =	21,068 cm ³
- wy =	93,758 cm ³
- Weight	9,539 kg/m
- Length	6 m
- Packing unit	6 m

APPLICATIONS

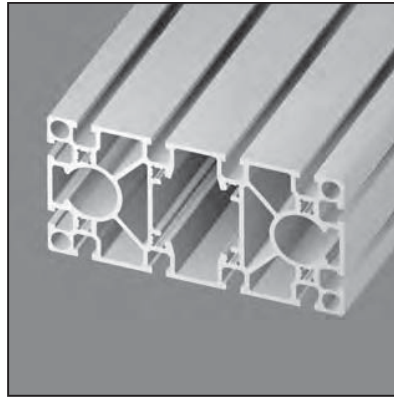
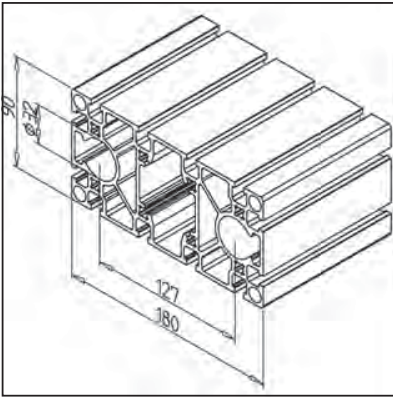
- Slides for MiniTec- linear system LR
- Clamping surfaces
- Base plate
- Heavy duty constructions

ASSEMBLY

- MiniTec power-lock fastener
- Angle 45 GD-Z or 90 GD-Z
- Screw connection

PROFILE 90 X 180 S

part no. 20.1013/0



TECHN. DATA / ITEMS SUPPLIED

- Ix =	376,784 cm ⁴
- Iy =	1421,865 cm ⁴
- wx =	83,729 cm ³
- wy =	157,983 cm ³
- Weight	11,482 kg/m
- Length	6 m
- Packing unit	6 m

APPLICATIONS

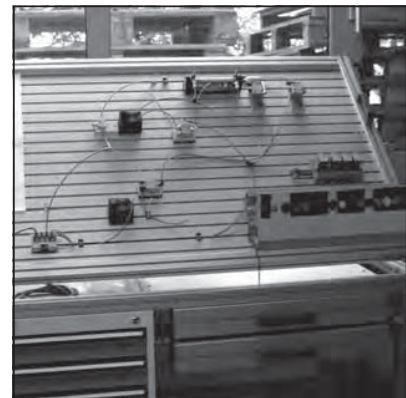
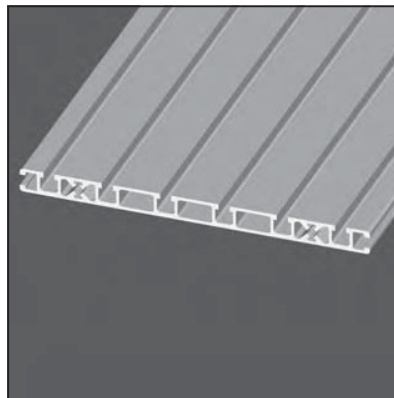
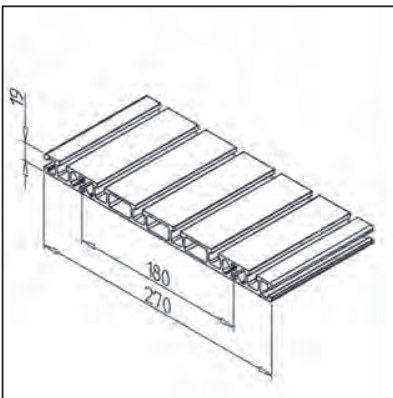
- General heavy duty constructions
- Linear guiding LB as slide
- Central bore Ø 32 mm for ball-bushings LME 20, for ball-bearings 6201 or 6002, for compressed air piping or guiding of hydraulic add-in cylinders

ASSEMBLY

- MiniTec power-lock fastener
- Angle 45 or 90
- Screw connection

PROFILE 270 X 19

part no. 20.1077/0



TECHN. DATA / ITEMS SUPPLIED

- Ix =	10,348 cm ⁴
- Iy =	1352,197 cm ⁴
- wx =	10,167 cm ³
- wy =	100,162 cm ³
- Weight	5,612 kg/m
- Length	6 m
- Packing unit	18 m

APPLICATIONS

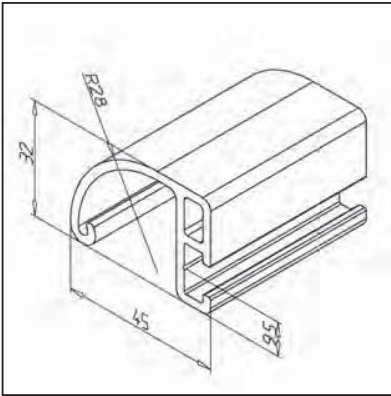
- Table tops
- Workstations
- Can be used for breadboard constructions in schooling and training projects - i.e. pneumatic, electronics, automatic-control with universal clamping socket, **part no. P20060/0**
- Demonstration units

ASSEMBLY

- MiniTec power-lock fastener
- Screw connection
- Bolt-fastener 15, **part no. 21.1024/0**

HANDLE PROFILE

part no. 20.1045/0



TECHN. DATA / ITEMS SUPPLIED

- lx =	3,531 cm ⁴
- ly =	7,654 cm ⁴
- wx =	1,985 cm ³
- wy =	2,856 cm ³
- Weight	0,890 kg/m
- Length	6 m

APPLICATIONS

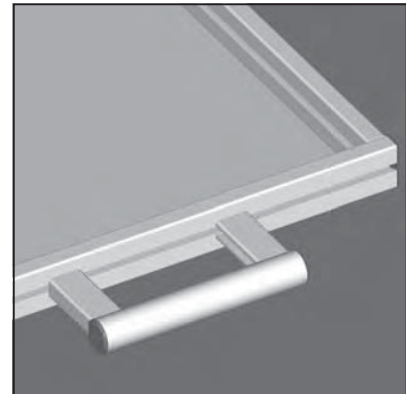
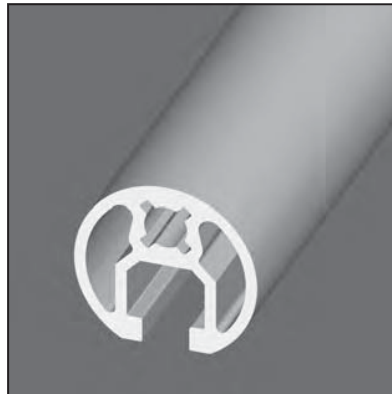
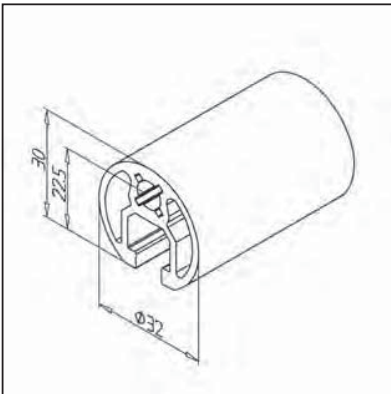
- Handles of different lengths
- Edges
- Table edges
- Cover ledge for cable, pneumatic conducts

ASSEMBLY

- Screw connection
- Mounting angle
- Lateral cover with end caps left **part no. 22.1055/0** and right **part no. 22.1054/0**

HANDLE PROFILE 32

part no. 20.1088/0



TECHN. DATA / ITEMS SUPPLIED

- lx =	2,601 cm ⁴
- ly =	2,636 cm ⁴
- wx =	1,682 cm ³
- wy =	1,649 cm ³
- Weight	0,911 kg
- Length	6 m
- Packing unit	84 m

APPLICATIONS

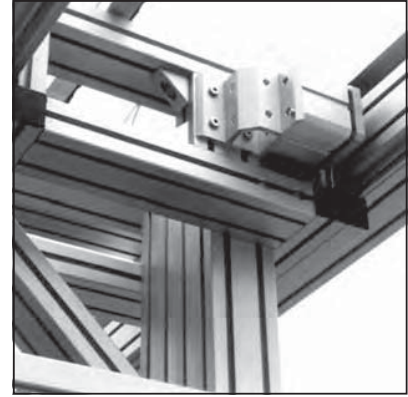
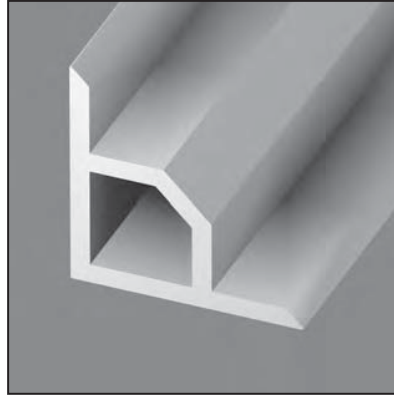
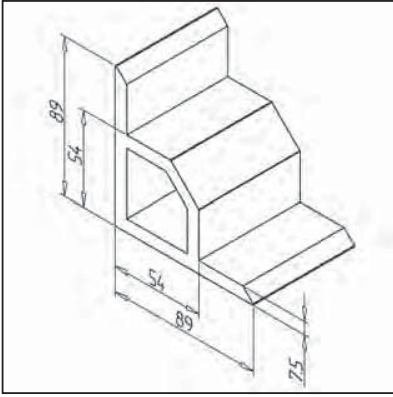
- Handles of different lengths for doors, drawers, handrails
- Edging of panel elements or posters up to 8 mm
- Horizontal profile for fixing of small roller conveyors

ASSEMBLY

- MiniTec power lock fastener
- Angle 19 GD, **part no. 21.1107/0**
- Bolt-fastener
- Screw connection
- Lateral cover with end cap for handle profile 32

ANGULAR PROFILE 89 X 89

part no. 20.1011/0

**TECHN. DATA / ITEMS SUPPLIED**

- Ix =	105,416 cm ⁴
- Iy =	105,416 cm ⁴
- wx =	17,413 cm ³
- wy =	17,413 cm ³
- Weight	4,868 kg/m
- Length	3 m
- Packing unit	36 m

APPLICATIONS

- Consoles
- Support surface
- Material for special mounting angles

ASSEMBLY

- Screws M8 x 20 and square nuts M8

PROFILE CAPS

SELF-LOCKING PROFILE CAPS FOR ALUMINIUM PROFILES

Profile caps for aluminium profiles fulfill important functional duties: Due to unprotected profile ends dirt and debris may intrude into the inside of the profiles which can lead to hygienic problems – not only in sensitive areas. Moreover, unprotected aluminium profiles do have sharp burrs – a possible but avoidable source for work accidents. All this is prevented by profile caps: The profiles remain clean and protected, the risk of cut injuries is minimized. Not least, they harmoniously complete the optics of the aluminium profiles.

However, in practice it is irritating for users if the mentioned functions are not ensured because of loose profile caps. MiniTec has recognized this problem and extends its portfolio with self-locking profile caps. These are fixed perma-

nently by means of an integrated lockplug. The resulting connection prevents the cap from being dissolved from the profile. It remains at the intended place – even under hardest stress and the most extreme conditions.

True to its motto “The Art of Simplicity” the use of MiniTec profile caps is quite simple: The lock pin is driven shortly inside the profile by means of a rubber hammer. Thereby, drillings or any further treatment becomes redundant. Additionally, removing the cap is just as simple as installing it: With the help of a pin of four millimeters of diameter the plugs can be struck inside the profile for the caps to be detached. Spare plugs that make the once removed profile caps reusable again are available separately.



Insert Cap



Hammer the pin



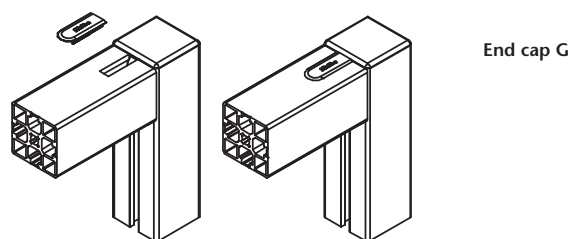
Profile stays clean and secured

PROFILE SECTION	ABS GREY	AL ANODIZED (fastening screw included)	VA
PROFILE SERIES MINI (Thickness 2 mm)			
19x11	22.1030/1		
19x19	22.1031/1		
PROFILE SERIES 30 (Thickness 3 mm)			
23x16	22.0994/1*		
16x30	22.0981/1*		
23x23	22.0992/1*		
23x30	22.0993/1*		
30x30	22.1146/1*	22.1149/2	
30R90°	22.1144/1*		
30R60°	22.1169/1*		
30R45°	22.1168/1*		
30R30°	22.1167/1*		
30x60	22.1134/1*		
60x60x30	22.0978/1*		
PROFILE SERIES 45 (Thickness 3 mm)			
19x32	22.1220/1*	22.1060/2	
19x45	22.1001/1*	22.1064/2	
45x19	22.1136/1*		
32x32	22.1002/1*	22.1062/2	
32x32 clamp profile	22.1032/1	22.1062/2	
45x32	22.1003/1*	22.1065/2	
45x32 clamp profile	22.1046/1	22.1065/2	
45x45	22.1004/1*	22.1067/2	22.1067/5
45R4	22.1137/1*		
45R90°	22.0996/1*	22.0996/2	
45R60°	22.1018/1*	22.1018/2	
45R45°	22.1017/1*	22.1017/2	
45R30°	22.1019/1*	22.1019/2	
Profile height adj.	22.0979/1		
45/45°	22.0995/1*		
45/22,5°	22.1052/1		
19x90	22.1014/1		
90x32	22.1061/1		
45x90	22.1007/1*	22.1068/2	
45x60	22.1058/1		
60x60	22.1057/1		
45x135	22.1049/1		
45x180	22.1048/1		
90x90	22.1069/1	22.1008/2	
90R90°	22.1021/1		
32x180	22.1059/1		
90x180	2x 22.1069/1	2x 22.1008/2	
270x19	3x 22.1014/1		
Handle profile	right 22.1054/0 left 22.1055/0		
Handle profile 32	22.1162/1*		

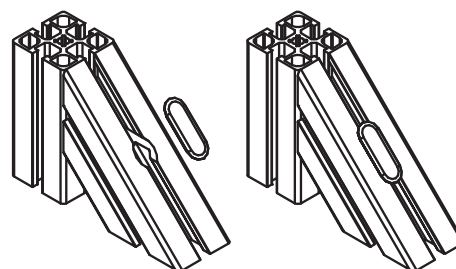
* With pin.

ACCESSORIES	MATERIAL	PART NO.
Flat head screw M8x10 for fixing caps made of aluminum or stainless steel	VA	21.1666/0
Replacement pins for caps with hammer taps (10 pack)	ABS grey	22.1009/1

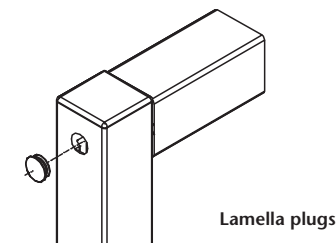
OTHER COVERS	MATERIAL	PART NO.
End cap G for G-Profile	PA6 grau	22.1056/0
End cap GL for G-Profile	PA6 grau	22.1208/1
Lamella plug 7	PE grau	22.1200/1
Lamella plug 9	PE grau	22.1201/1
Lamella plug 15	PE grau	22.1202/1
Lamella plug 22	PE grau	22.1209/1



End cap G

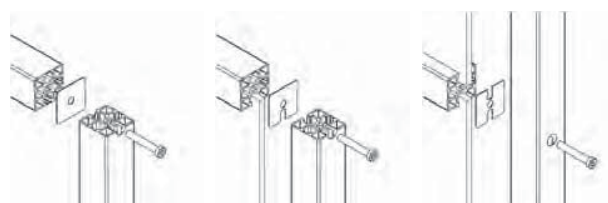


End cap GL



Lamella plugs

SEALING	MATERIAL	PART NO.
Seal plate 45	Silicone	24.1117/0
Seal plate 45 with slot	Silicone	24.1116/0
Seal plate 45 with double-slot	Silicone	24.1118/0



Seal plate 45

Seal plate 45 with slot

Seal plate 45 with double-slot