

READY-TO-INSTALL ELEMENTS FOR LIFTING AND SLIDING DOORS

All elements are already pre-assembled for you from our products. They can be very easily attached to the construction profiles with our connectors. This eliminates the need to stock individual parts and considerably shortens planning and assembly times.

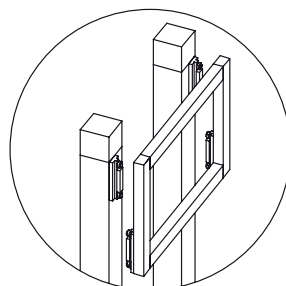
**Slide-Roller element**

A lifting door requires 4 elements:

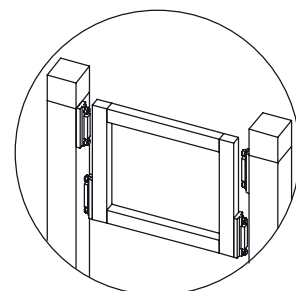
- One on each of the two columns in the upper end position.
- One on each side of the door element in the lower end position.

Length determination guide column: Stroke + 180 mm min.

1. Insert pre-assembled slide roller element in profile groove
2. Fasten in the desired position with Allen wrench SW4
3. Tighten self-locking screws with Allen wrench SW2.5



Installation possibility in front of the door pillars
Gap width = 8 mm

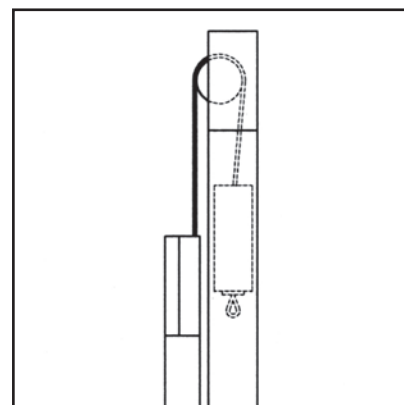
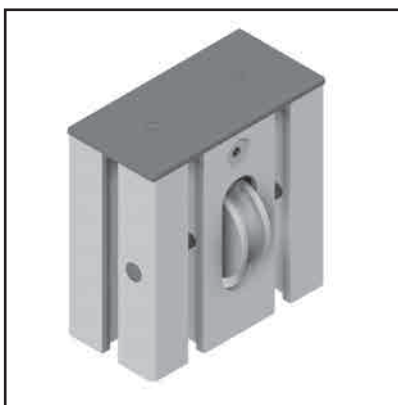
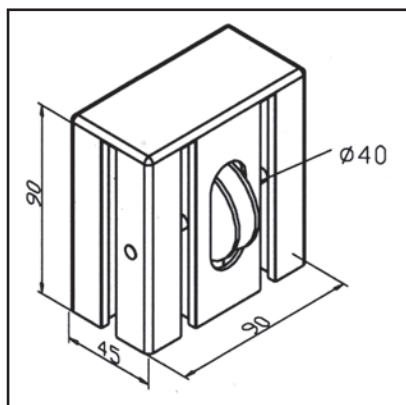


Installation possibility between the door pillars
gap width = 8 mm

CABLE PULLEY 45

Part no.

21.1775/0



TECHN. DATA / ITEMS SUPPLIED

- Aluminium, anodized E6/EV1
- Housing from profile 45 x 90
- Pulley steel, galvanized, ready for installation
- End cap
- maximum weight of the lifting door with paired insertion of the pulley, 12kg
- Weight = 0.522 kg/piece

APPLICATIONS

- Chain reverse unit of counterweights on lifting doors, for internal compensation weight in profile 45 x 90 L or 45 x 90 G
- For continuous movement and larger loads use >12 Kg chain redirector 45

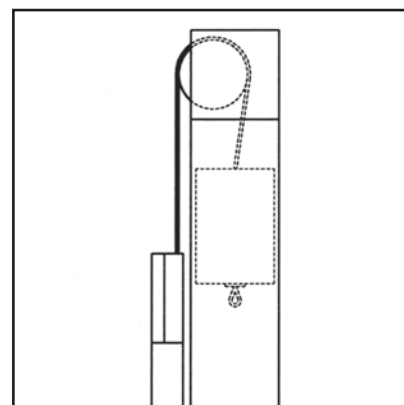
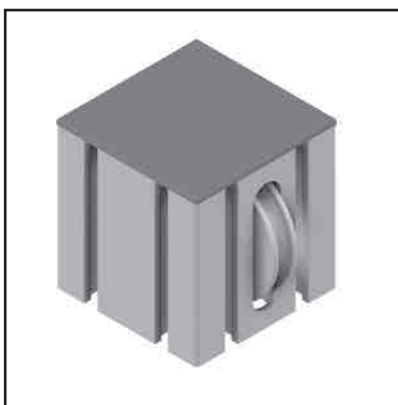
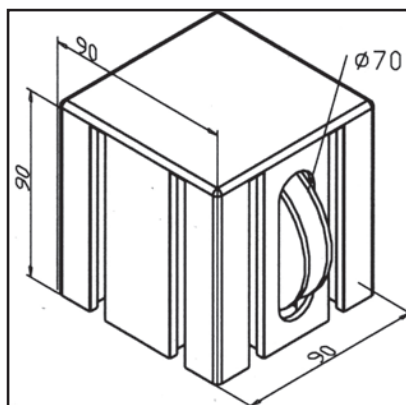
ASSEMBLY

- Attachment to the stand profile with 2 terminal strips 90 **part no. 21.1029/0**
- Associated rope **part no. 21.1777/0** is consumable and must be checked regularly and lubricated if necessary

CABLE PULLEY 90

Part no.

21.1776/0



TECHN. DATA / ITEMS SUPPLIED

- Aluminium, anodized E6/EV1
- Housing from profile 90 x 90
- Pulley steel, galvanized, ready for installation
- End cap
- maximum weight of the lifting door with paired insertion of the pulley, 30kg
- Weight = 0.680 kg/piece

APPLICATIONS

- Chain reverse unit of counterweights on lifting doors, for internal compensation weight in profile 90 x 90 L
- For continuous movement and loads use >30 Kg chain redirector 90

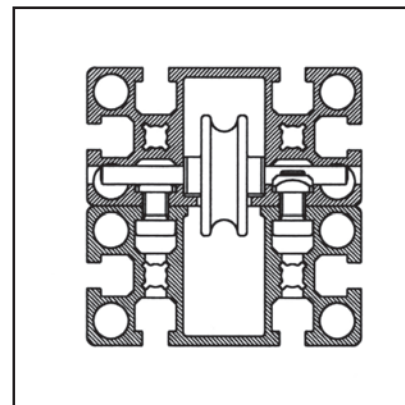
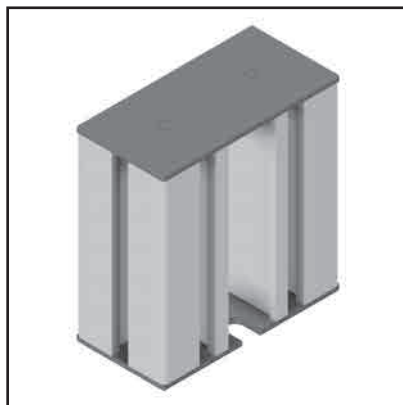
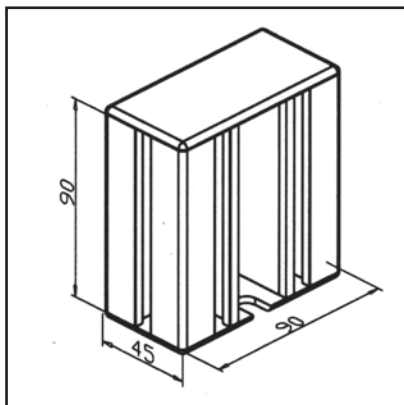
ASSEMBLY

- Attachment to the stand profile with 4 terminal strips 90 **part no. 21.1029/0**
- Associated rope **part no. 21.1777/0** is consumable and must be checked regularly and lubricated if necessary

HAND PROTECTION

Part no.

21.1780/0

**TECHN. DATA / ITEMS SUPPLIED**

- Aluminium, anodized E6/EV1
- With fastening nut steel, galvanized
- From profile 45 x 90
- Matching caps, one of them with recess for cable or chain passage
- Length 90 mm
- Weight = 0.290 kg/piece

APPLICATIONS

- Securing from squeezing points in the area of the cable or chain inlet

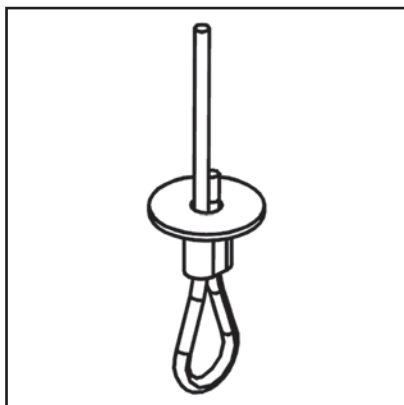
ASSEMBLY

- Mount with supplied hardware

CABLE FOR COUNTERWEIGHT

Part no.

21.1777/0

**TECHN. DATA / ITEMS SUPPLIED**

- Steel cable VA, 2,5 mm
- With clamping eye hook on one side, pressed
- **On request also deliverable in other lengths**
- Standard length 2.5 m
- Weight = 0.070 kg/piece

APPLICATIONS

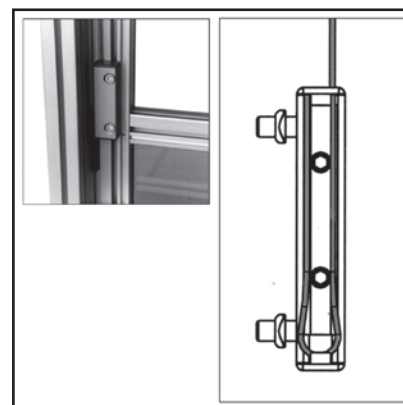
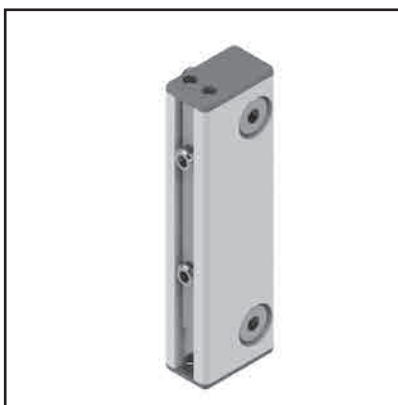
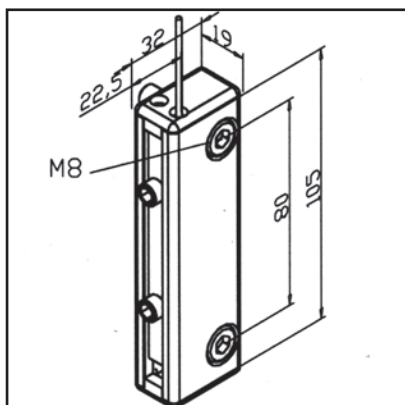
- Use in connection with counterweight 45 or 90 and cable pulley

ASSEMBLY

- Lead the cable through the center bore and into the counterweight
- Rope with rope clamp **part no. 21.1797/0** fasten to lifting door
- Cable is a wear part and must be regularly checked and lubricated if required

CABLE CLAMP

Part no. 21.1797/0



TECHN. DATA / ITEMS SUPPLIED

- Aluminium, anodized E6/EV1
- From profile 19 x 32
- 1 Clamping plate
- 2 hex socket cap screws with square nuts
- 2 suitable end caps, one of them bored
- Weight = 0.150 kg/piece

APPLICATIONS

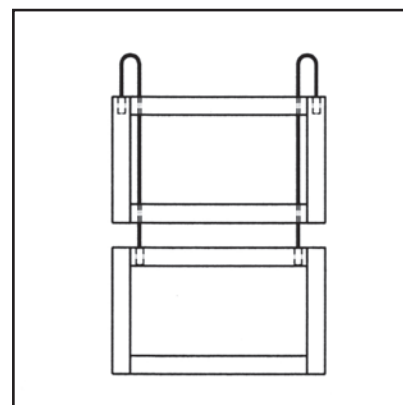
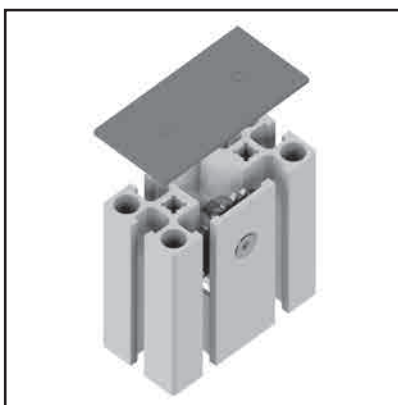
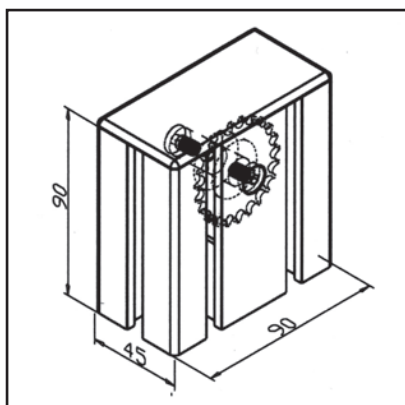
- Fixing the wire cable **part no. 21.1777/0** on the door element of a lifting door

ASSEMBLY

- Remove the lower end cap
- Attach rope clamp with fastening kit at the top of the door element
- Pull the rope through the bore of the upper end cap
- Adjust balance weight to desired position
- Place the cable end around the clamping bar in the loop, insert it into the groove of the cable clamp and secure with a threaded pin
- If necessary, shorten the projecting end of the rope and replace the removed cap

SYNCHRONOUS REVERSE UNIT 45

Part no. 21.1792/0



TECHN. DATA / ITEMS SUPPLIED

- Aluminium, anodized E6/EV1
- Housing from profile 45 x 90
- Sprocket galvanized steel, ready for installation
- maximum weight of the lifting door with paired insertion of the pulley, 34kg
- Weight = 0.340 kg/piece

APPLICATIONS

- Simultaneous opening and closing of two lifting doors running in the operate direction; doors are of similar weight
- Post preferably aus profile 45x90 or 90x90. The side profiles of the doors preferably made of profile 90x32 or 45x90 guided by sliding roll element in the post.

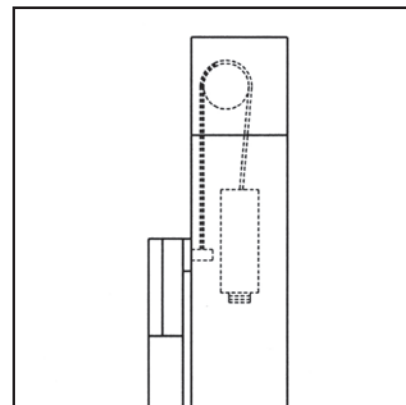
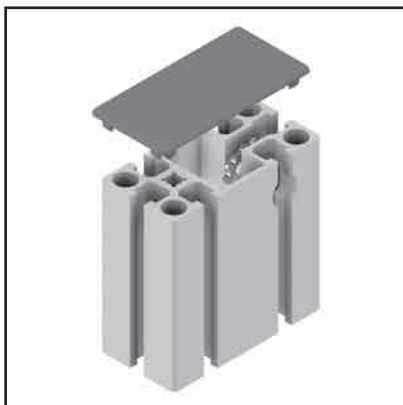
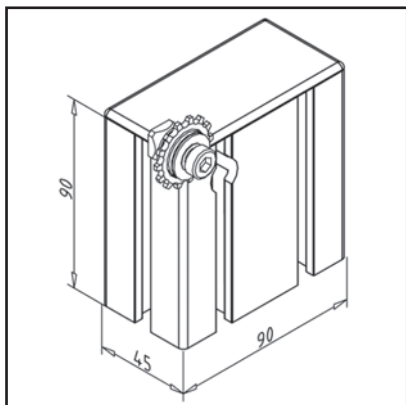
ASSEMBLY

- Attachment to the stand profile with 2 terminal strips 90 **part no. 21.1029/0**
- Chain 04 **part no. 21.1713/0** insert in diversion, with chain clamping door **part no. 21.1712/0** attach to the two doors and insert in the stand profiles
- Chain is guided in the profile groove, thus no hand-protection is required

CHAIN PULLEY 32

Part no.

21.1774/0

**TECHN. DATA / ITEMS SUPPLIED**

- Aluminium, anodized E6/EV1
- Housing from profile 45 x 90
- Sprocket galvanized steel, ready for installation
- End cap
- maximum weight of the lifting door with paired insertion of the pulley, 50kg
- Weight = 0.388 kg/piece

APPLICATIONS

- Chain reverse unit of counterweights on lifting doors, for internal compensation weight in profile 45 x 90 F or 45 x 90 G

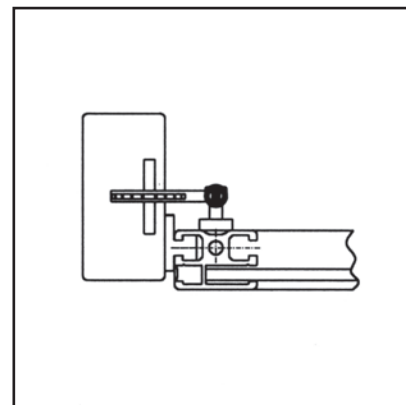
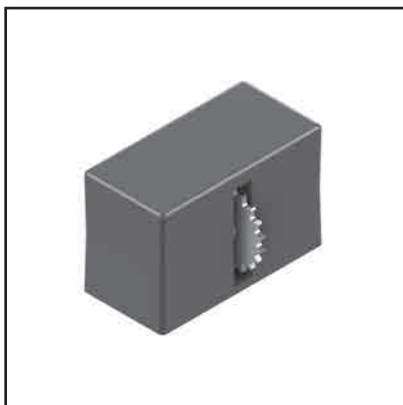
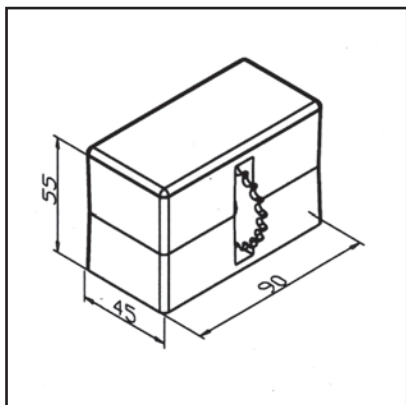
ASSEMBLY

- Attachment to the stand profile with 2 terminal strips 90 **part no. 21.1029/0**
- Use of chain 04 **part no. 21.1712/0** and chain clamping weight **part no. 21.1711/0**
- The cable is guided in the profile groove, thus no hand-protection is required

CHAIN PULLEY 45 A

Part no.

21.1838/0

**TECHN. DATA / ITEMS SUPPLIED**

- Aluminium, Pressure die-casting, powder-coated, grey
- Sprocket galvanized steel, ready for installation
- End cap
- With fastening material steel, zinc plated
- maximum weight of the lifting door with paired insertion of the pulley, 50kg
- Weight = 0.350 kg/piece

APPLICATIONS

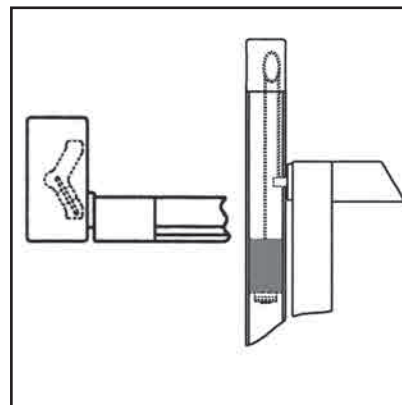
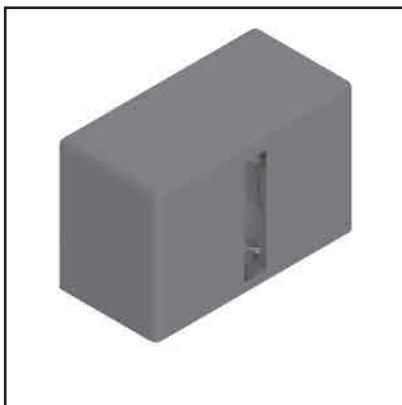
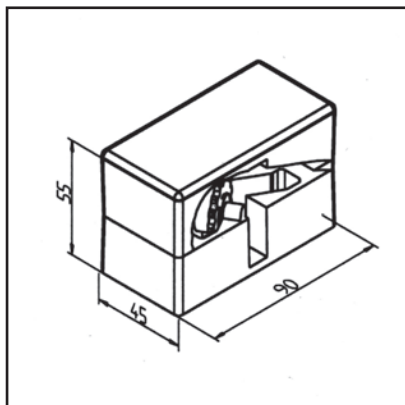
- Chain reverse unit of counterweights on lifting doors, for internal compensation weight in profile 45 x 90 F or 45 x 90 G

ASSEMBLY

- Install with supplied hardware, insert thread M8 into the stand profile
- Use of chain 04 **part no. 21.1713/0** with chain clamp door **part no. 21.1712/0** and chain clamping weight **part no. 21.1711/0**
- Chain runs outside center on wide side of profile, if necessary with hand protection **part no. 21.1780/0** cover

CHAIN PULLEY 45 I

Part no. 21.1840/0



TECHN. DATA / ITEMS SUPPLIED

APPLICATIONS

ASSEMBLY

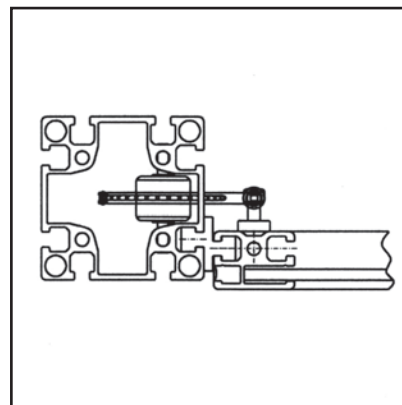
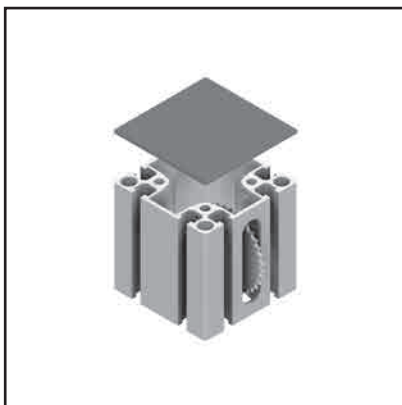
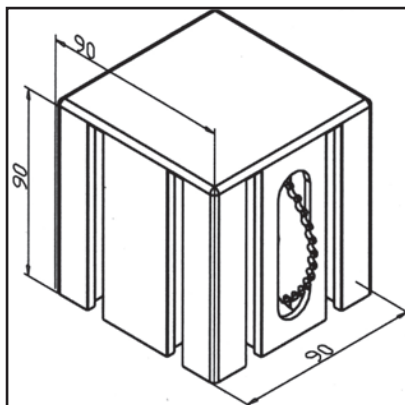
- Aluminium, Pressure die-casting, powder-coated, grey
- Sprocket galvanized steel, ready for installation
- End cap
- With fastening material steel, zinc plated
- maximum weight of the lifting door with paired insertion of the pulley, 50kg
- Weight = 0.350 kg/piece

- Chain reverse unit of counterweights on lifting doors, for internal compensation weight in profile 45 x 90 F or 45 x 90 G

- Install with supplied hardware, insert thread M8 into the stand profile
- Use of chain 04 **part no. 21.1713/0** with chain clamp door **part no. 21.1712/0** and chain clamping weight **part no. 21.1711/0**
- Chain runs on the broad side of the profile in the right or left profile groove (adjustable chain wheel), no hand-protection required

CHAIN PULLEY 90

Part no. 21.1839/0



TECHN. DATA / ITEMS SUPPLIED

APPLICATIONS

ASSEMBLY

- Aluminium, anodized E6/EV1
- Housing from profile 90 x 90
- Sprocket galvanized steel, ready for installation
- End cap
- maximum weight of the lifting door with paired insertion of the pulley, 70kg
- Weight = 0.680 kg/piece

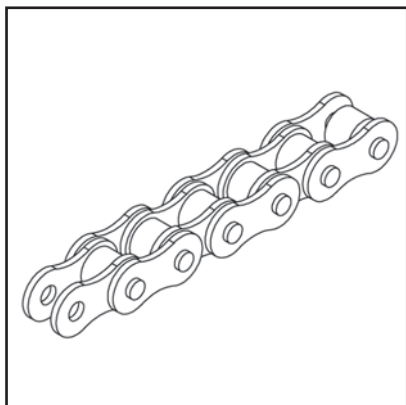
- Chain reverse unit of counterweights on lifting doors, for internal balancing weight in profile 90 x 90 L

- Attachment to the stand profile with 4 terminal strips 90 **part no. 21.1029/0**
- Use of chain 04 **part no. 21.1713/0** with chain clamp door **part no. 21.1712/0** and chain clamping weight **part no. 21.1711/0**
- Chain runs outside center on profile surface, if necessary with hand protection **part no. 21.1780/0** cover

CHAIN 04

Part no.

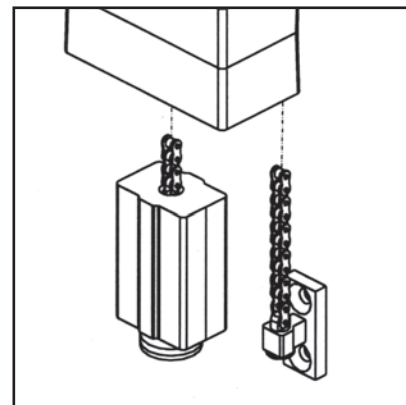
21.1713/0

**TECHN. DATA / ITEMS SUPPLIED**

- Steel
- Size 4
- **Please indicate desired length**
- Breaking force min. 3000N
- Weight = 0.150 kg/m

**APPLICATIONS**

- Use in conjunction with balancing weight 45 or 90 and chain reverse unit.
- Use in conjunction with chain clamping door **part no. 21.1712/0** for attaching the chain to the door side
- Use in conjunction with chain clamp weight **part no. 21.1711/0** for attaching the chain to the balance weight

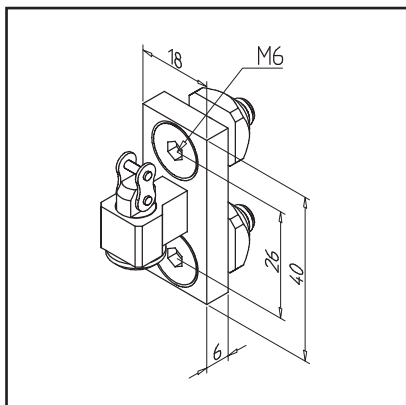
**ASSEMBLY**

- Guide the chain through the balance weight and guide the chain clamp to the weight **part no. 21.1711/0** and install the chain lock
- When mounted on door, chain by mounted chain clamp door **part no. 21.1712/0** and install bolt with chain lock

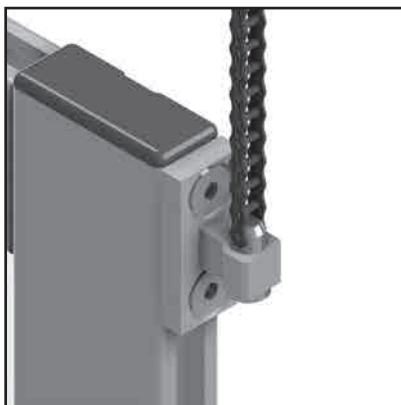
DOOR CHAIN CLAMPING DEVICE

Part no.

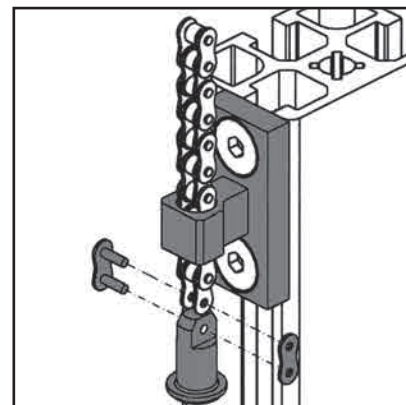
21.1712/0

**TECHN. DATA / ITEMS SUPPLIED**

- Steel, galvanized
- With fastening material steel, zinc plated
- Weight = 0.060 kg/piece

**APPLICATIONS**

- Use in conjunction with balancing weight 45 or 90 and chain reverse unit.
- Use in conjunction with chain 04 **part no. 21.1713/0** for fixing to door side

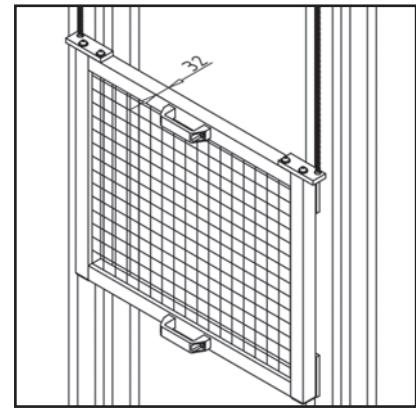
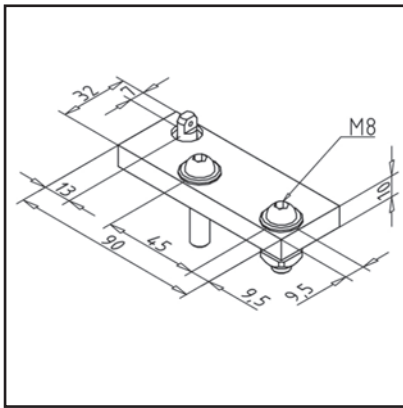
**ASSEMBLY**

- Guide the chain through the balance weight and guide the chain clamp to the weight **part no. 21.1711/0** and install the chain lock
- When mounted on door, chain by mounted chain clamp door **part no. 21.1712/0** and install bolt with chain lock
- When making lift doors, where the chain is guided in the groove, we recommend the use of our sliding roller element **part no. 21.1796/0**. Here is a door gap to the post of 8 mm provided.

DOOR CHAIN CLAMPING DEVICE KV-32

Part no.

21.1980/0



TECHN. DATA / ITEMS SUPPLIED

- Steel, galvanized
- With fastening material and chain lock
- Weight = 0.247 kg/piece

APPLICATIONS

- Use in connection with chain pulley 90 and chain 04
- Lifting plate made of profile 45x32 with sliding roller mounted in front of the posts

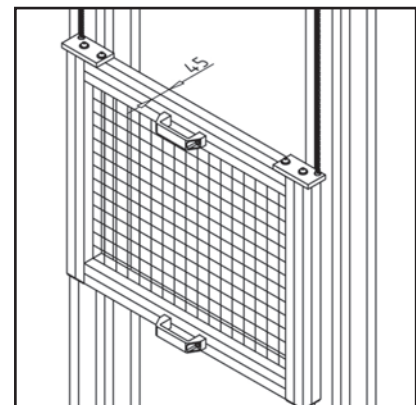
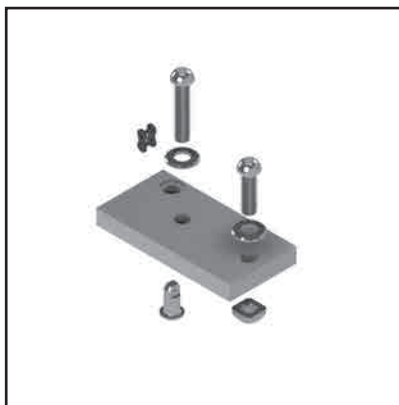
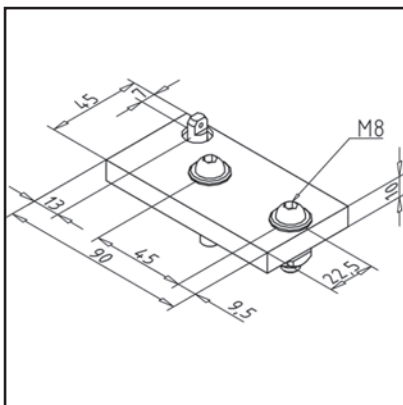
ASSEMBLY

- Mount plate on lifting plate and secure the roller chain 04 using the supplied chain lock
- Two chain clamps are required for each lifting field

DOOR CHAIN CLAMPING DEVICE KV-45

Part no.

21.1981/0



TECHN. DATA / ITEMS SUPPLIED

- Steel, galvanized
- With fastening material and chain lock
- Weight = 0.345 kg/piece

APPLICATIONS

- Use in connection with chain pulley 90 and chain 04
- Lifting plate made of profile 45x45 with sliding roller mounted in front of the posts

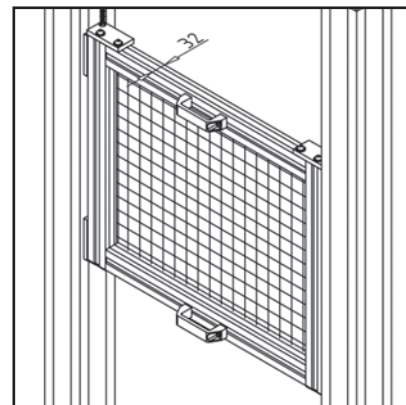
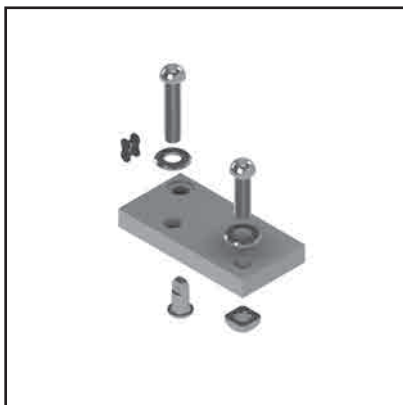
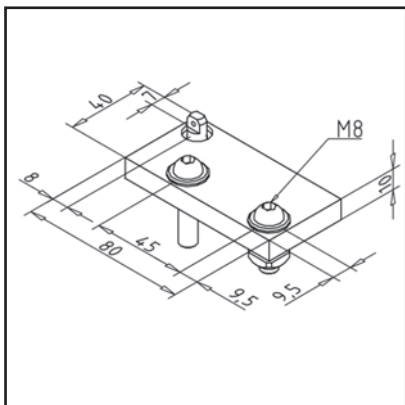
ASSEMBLY

- Mount plate on lifting plate and secure the roller chain 04 using the supplied chain lock
- Two chain clamps are required for each lifting field

DOOR CHAIN CLAMPING DEVICE KI-32

Part no.

21.1982/0



TECHN. DATA / ITEMS SUPPLIED

- Steel, galvanized
- With fastening material and chain lock
- Weight = 0.278 kg/piece

APPLICATIONS

- Use in connection with chain pulley 90 and chain 04
- Lifting plate made of profile 45x32 with sliding roller mounted between the posts

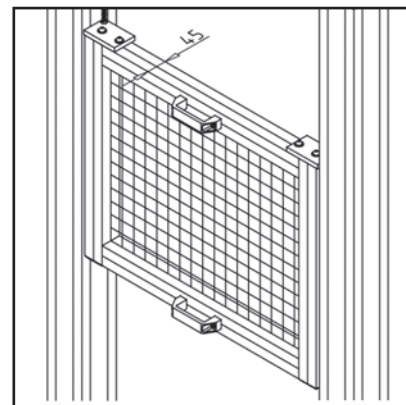
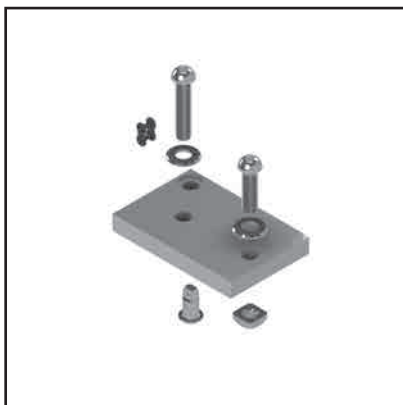
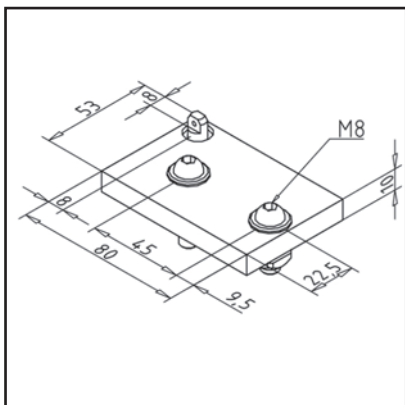
ASSEMBLY

- Mount plate on lifting plate and secure the roller chain 04 using the supplied chain lock
- Two chain clamps are required for each lifting field

DOOR CHAIN CLAMPING DEVICE KI-45

Part no.

21.1983/0



TECHN. DATA / ITEMS SUPPLIED

- Steel, galvanized
- With fastening material and chain lock
- Weight = 0.360 kg/piece

APPLICATIONS

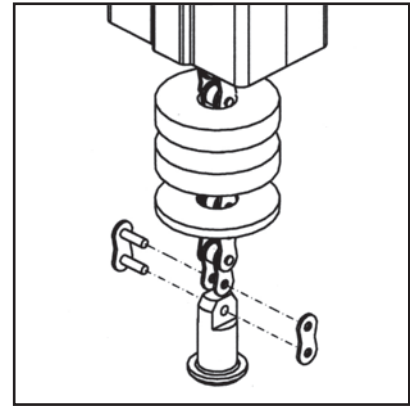
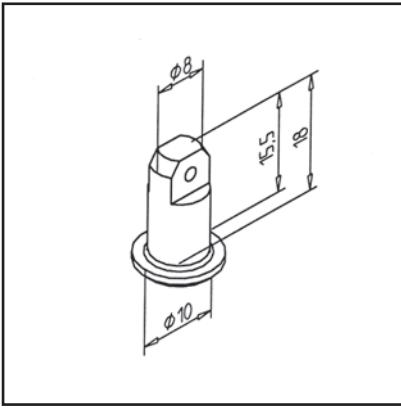
- Use in connection with chain pulley 90 and chain 04
- Lifting plate made of profile 45x45 with sliding roller mounted between the posts

ASSEMBLY

- Mount plate on lifting plate and secure the roller chain 04 using the supplied chain lock
- Two chain clamps are required for each lifting field

CHAIN CLAMPING WEIGHT

Part no. 21.1711/0



TECHN. DATA / ITEMS SUPPLIED

- Steel, galvanized
- Rubber-ring
- chain lock
- Weight = 0.015 kg/piece

APPLICATIONS

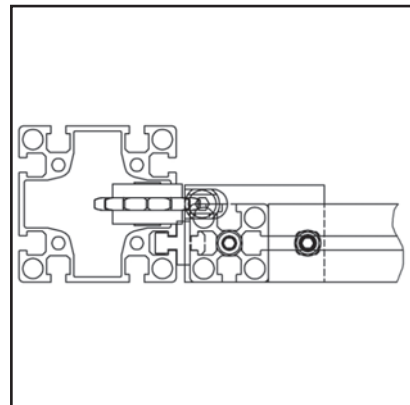
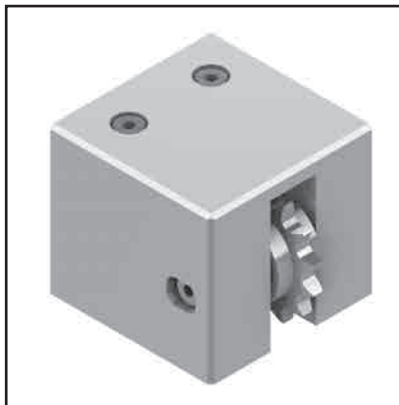
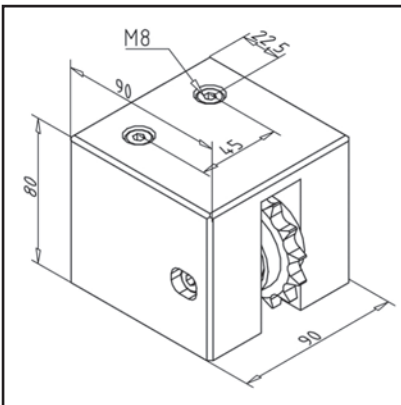
- Use in conjunction with balancing weight 45 or 90 and chain reverse unit.
- Use in conjunction with chain 04 **part no. 21.1713/0** for attaching the chain to the balance weight

ASSEMBLY

- Guide the chain through the balance weight and guide the chain clamp to the weight **part no. 21.1711/0** and install the chain lock
- When mounted on door, chain by mounted chain clamp door **part no. 21.1712/0** and install bolt with chain lock

CHAIN PULLEY 90 S

Part no. 21.0920/0



TECHN. DATA / ITEMS SUPPLIED

- Aluminium, anodized E6/EV1
- With fastening material steel, zinc plated
- maximum weight of the lifting door with paired insertion of the pulley, 150kg
- Weight = 1.748 kg/piece

APPLICATIONS

- Chain reverse unit of counterweights on lifting doors, for internal balancing weight in profile 90 x 90 L

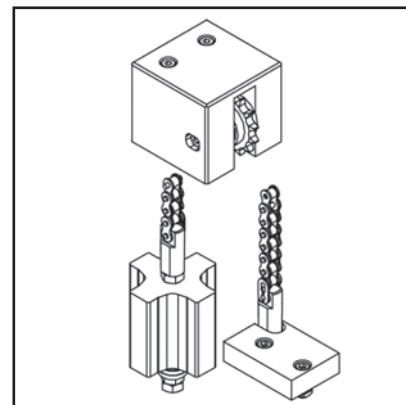
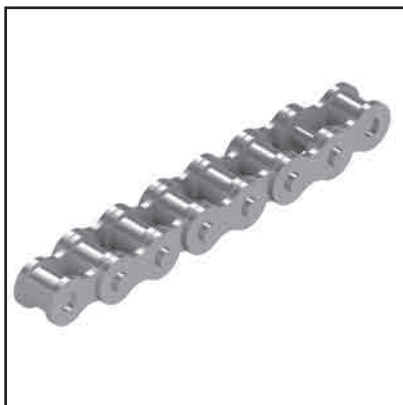
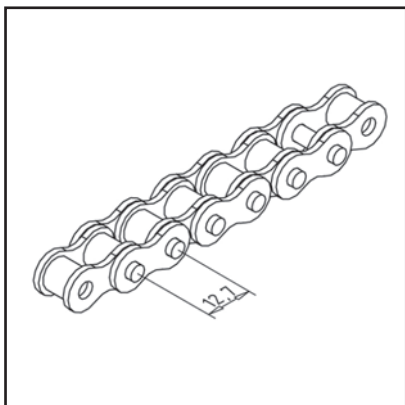
ASSEMBLY

- Use fastening kit
- Use of chain 08 **part no. 29.0307/0**, chain clamping weight S **part no. 21.0925/0**

CHAIN 08

Part no.

29.0307/0



TECHN. DATA / ITEMS SUPPLIED

- Steel
- Size 8
- Breaking force min. 18,000 N
- **Please indicate desired length**
- Weight = 0.700 kg/m

APPLICATIONS

- Use in conjunction with balancing weight 45 or 90 and chain clamping 90 S
- For this chain clamping weight S **part no. 21.0925/0** use

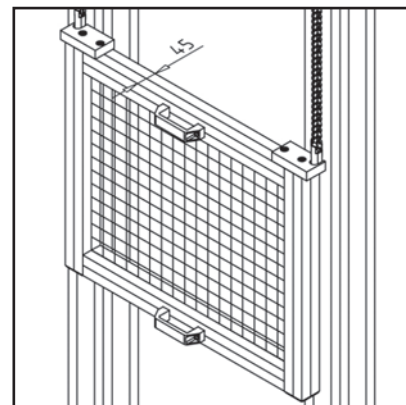
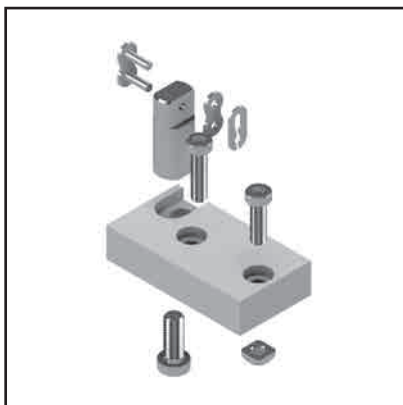
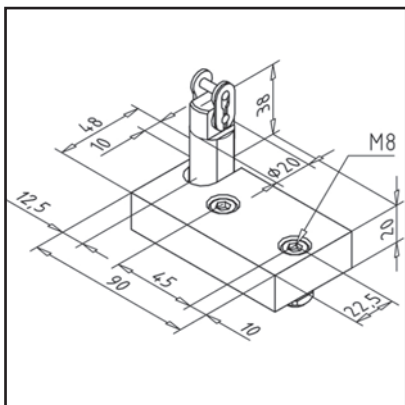
ASSEMBLY

- Attachment to the stand profile with 4 terminal strips Fixing with chain clamp weight S **part no. 21.0925/0** on threaded rod M10 **part no. 21.1667/0** for receiving the balance weights

DOOR CHAIN CLAMPING 90 S, AT THE FRONT

Part no.

21.0927/0



TECHN. DATA / ITEMS SUPPLIED

- Aluminium, anodized E6/EV1
- With fastening material and chain lock
- Weight = 0.381 kg/piece

APPLICATIONS

- Use in conjunction with chain reverse 90 S and chain 08
- Add a lifting plate from Profile 45x45 with sliding roller in front of the posts

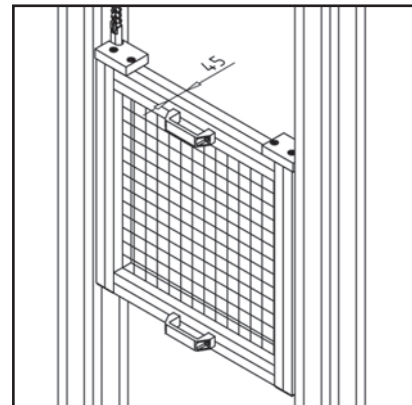
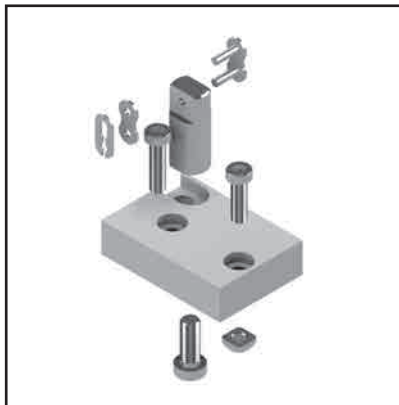
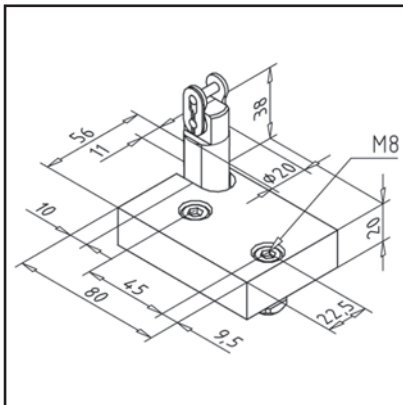
ASSEMBLY

- Mount plate on lifting plate and secure the roller chain 08 using the supplied chain lock
- Each lifting plate requires 2 chain reversing unit

DOOR CHAIN CLAMPING 90 S, ON THE SIDE

Part no.

21.0928/0



TECHN. DATA / ITEMS SUPPLIED

- Aluminium, anodized E6/EV1
- With fastening material and chain lock
- Weight = 0.368 kg/piece

APPLICATIONS

- Use in conjunction with chain reverse 90 S and chain 08
- Add a lifting plate from Profile 45x45 with sliding roller between the posts

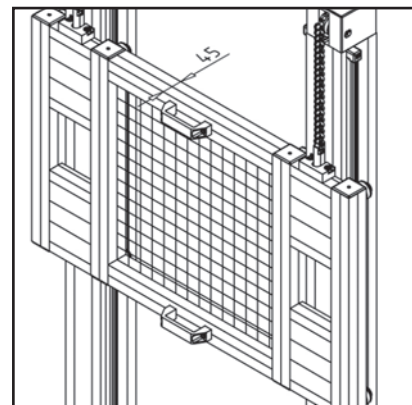
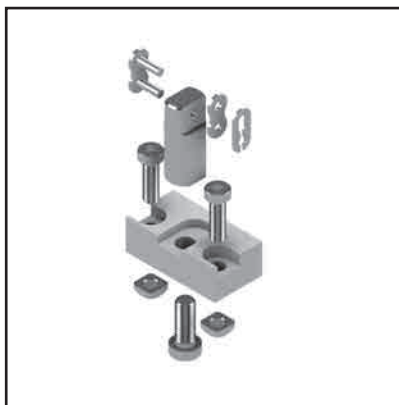
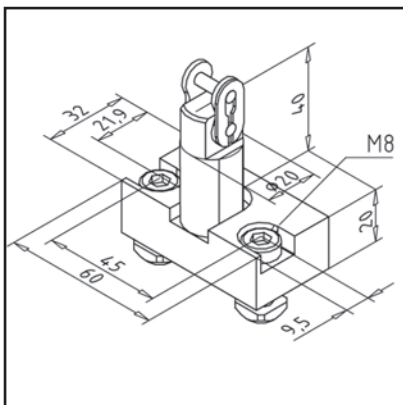
ASSEMBLY

- Mount plate on lifting plate and secure the roller chain 08 using the supplied chain lock
- Each lifting plate requires 2 chain reversing unit

CHAIN CLAMPING 90 S CARRIAGE

Part no.

21.0929/0



TECHN. DATA / ITEMS SUPPLIED

- Aluminium, anodized E6/EV1
- With fastening material and chain lock
- Weight = 0.375 kg/piece

APPLICATIONS

- Use in conjunction with chain reverse 90 S and chain 08
- For mounting on slide LW 45 or LW 90

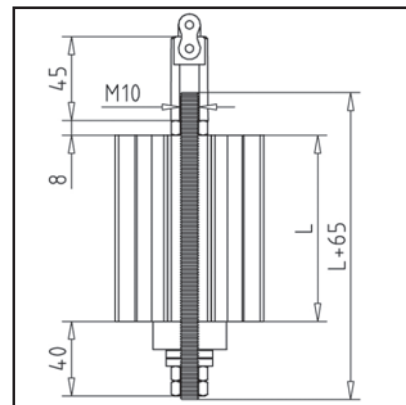
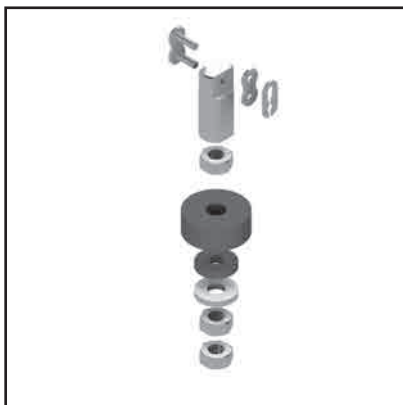
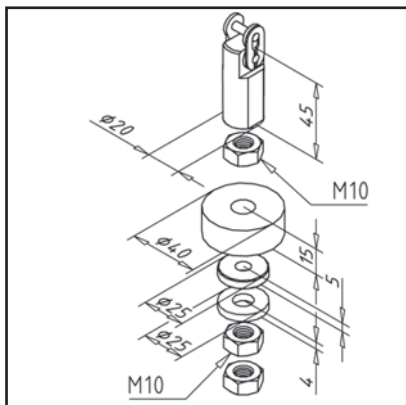
ASSEMBLY

- Mount plate on carriage and secure the roller chain 08 using the supplied chain lock

CHAIN CLAMPING WEIGHT S

Part no.

21.0925/0



TECHN. DATA / ITEMS SUPPLIED

- Steel, galvanized
- Rubber-ring
- chain lock
- Please threaded rod M10 **part no. 21.1667/0** order additionally in the desired length
- Weight = 0.145 kg/piece

APPLICATIONS

- Use in connection with roller chain 08 and balancing weight 45 or 90
- Length of the threaded rod = length of the weight +65mm

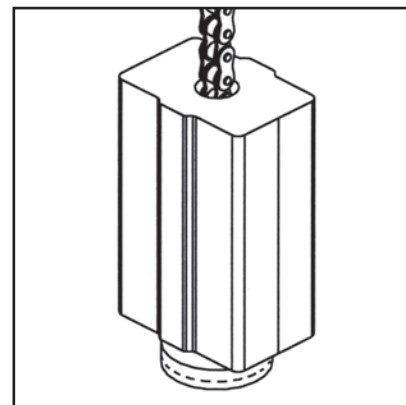
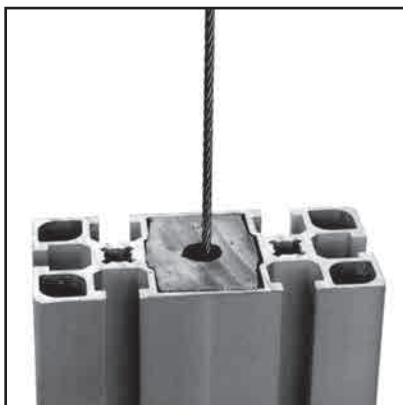
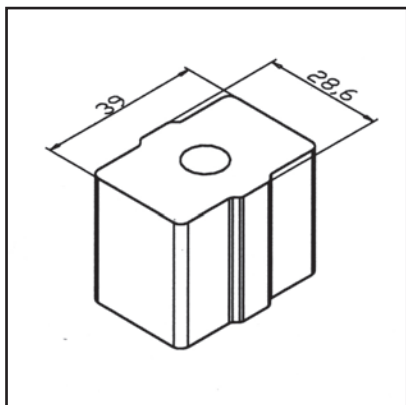
ASSEMBLY

- Guide the threaded rod through the weight
- Attach the components included at both ends
- Connect threaded rod with enclosed chain lock chain

COUNTERWEIGHT 45

Part no.

21.1772/0



TECHN. DATA / ITEMS SUPPLIED

- Lead
- Fitting for profile 45 x 90 F or 45 x 90 G
- Length 0,330m
- Weight = 10.000 kg/m

APPLICATIONS

- Weight compensation for lightweight lifting doors
- Suitable for cable or roller chain 04 or roller chain 08

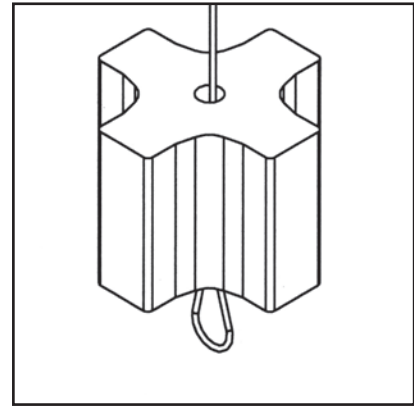
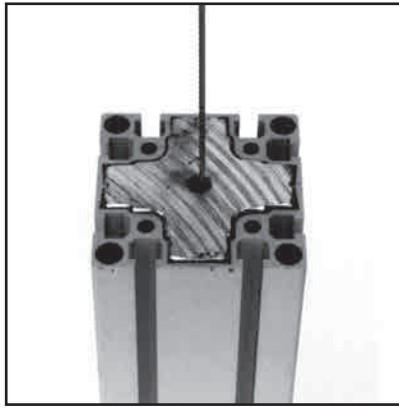
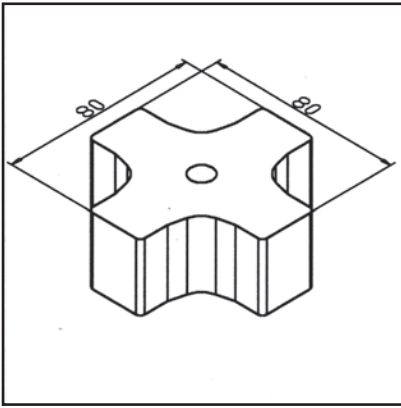
ASSEMBLY

- Set it into profile with pre-assembled cable or pre-assembled chain

COUNTERWEIGHT 90

Part no.

21.1778/0



TECHN. DATA / ITEMS SUPPLIED

- Lead
- For profiles 90 x 90
- Length 0,260m
- Weight = 38.500 kg/m

APPLICATIONS

- Weight compensation for lightweight lifting doors
- Suitable for cable or roller chain 04 or roller chain 08

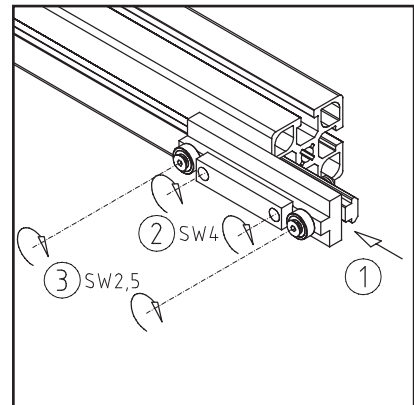
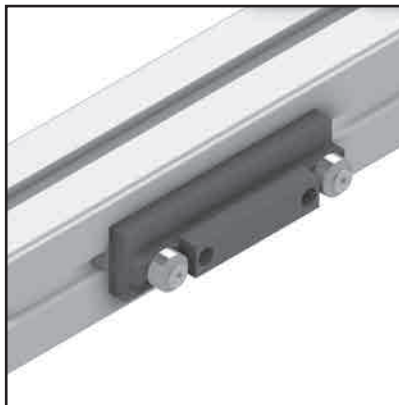
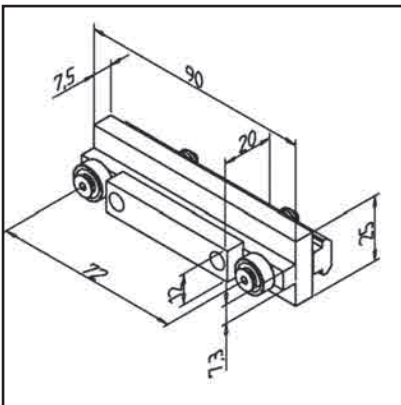
ASSEMBLY

- Set it into profile with pre-assembled cable or pre-assembled chain

SLIDE-ROLL ELEMENT

Part no.

21.1796/0



TECHN. DATA / ITEMS SUPPLIED

- PE-UHMW, black
- 1 T-slot bar, steel, zinc plated
- 2 ball bearings, pre-assembled
- Fmax. 200 N
- Weight = 0.094 kg/piece

APPLICATIONS

- Guide for lifting doors in the groove of the vertical profile
- Moving parts
- Bearing of workpieces, slides, brackets

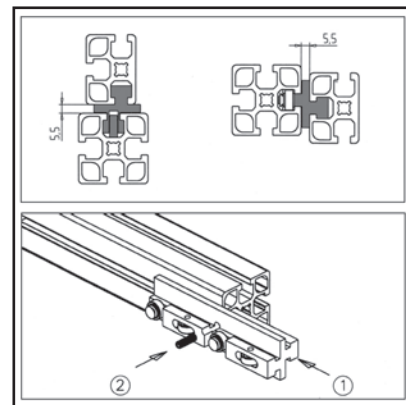
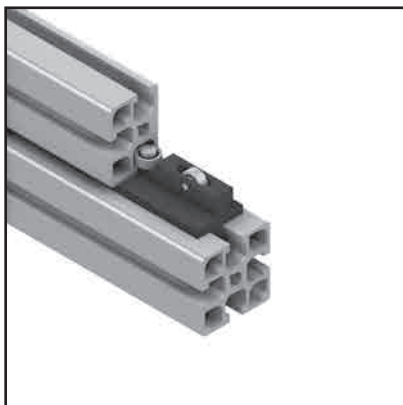
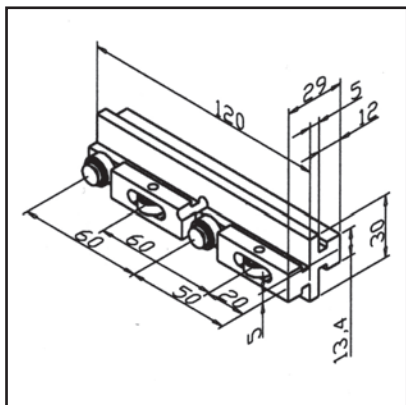
ASSEMBLY

1. Insert pre-assembled slide roller element in profile groove
2. Fasten in the desired position with Allen wrench SW4
3. Tighten self-locking screws with Allen wrench SW2.5

GLIDE ROLL ELEMENT

Part no.

21.1799/0



TECHN. DATA / ITEMS SUPPLIED

- PE-UHMW, black
- 1 clamping screw, steel, zinc plated
- 4 built-in ball-bearings
- Fmax. 300 N
- Weight = 0.061 kg/piece

APPLICATIONS

- Guide for sliding doors, lifting-doors, work-piece-slides, light linear guides
- Both groove holders are arranged in parallel, for simplify the design of flush sliding doors

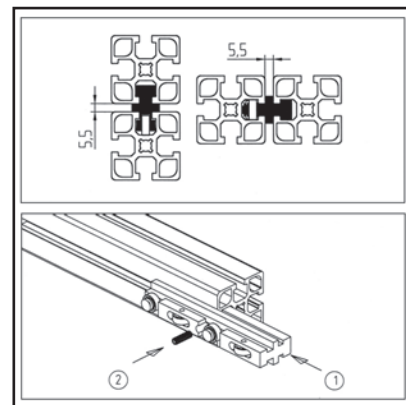
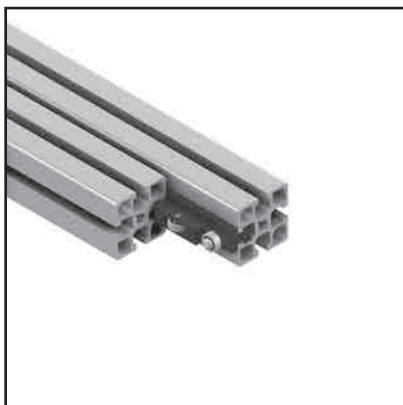
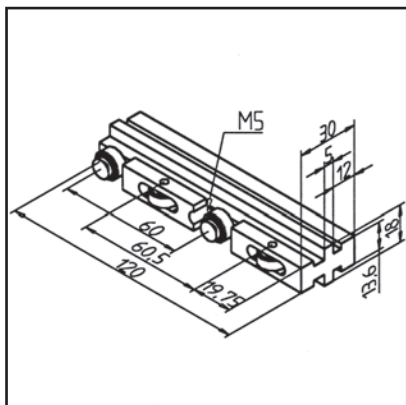
ASSEMBLY

- 1: Insert the element with screw side into profile groove of movable construction part
- 2: secure with threaded pin
- 3: Slide the completely mounted movable part into the grooves of the guiding profiles. Secure the movable part against falling out with screws at both ends

GLIDE ROLL ELEMENT PARALLEL

Part no.

21.1714/0



TECHN. DATA / ITEMS SUPPLIED

- PE-UHMW, black
- 1 clamping screw, steel, zinc plated
- 4 built-in ball-bearings
- Fmax. 300 N
- Weight = 0.055 kg/piece

APPLICATIONS

- Guide for sliding doors, lifting-doors, work-piece-slides, light linear guides
- Both groove holders are arranged in parallel, for simplify the design of flush sliding doors

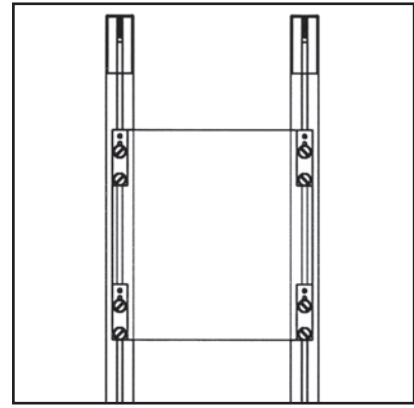
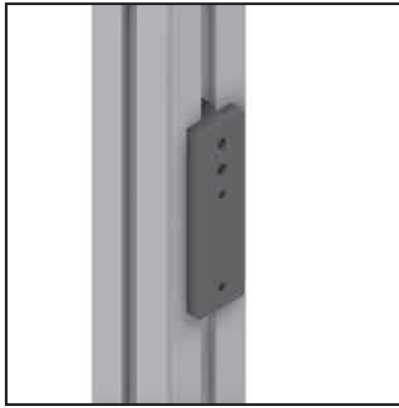
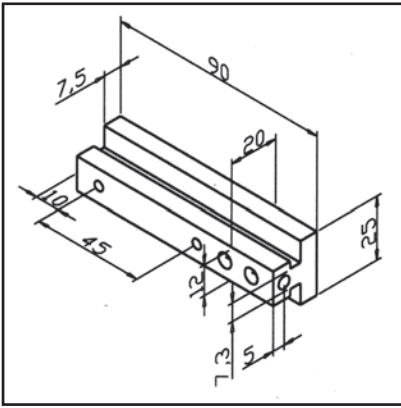
ASSEMBLY

- 1: Insert the element with screw side into profile groove of movable construction part
- 2: secure with threaded pin
- 3: Slide the completely mounted movable part into the grooves of the guiding profiles. Secure the movable part against falling out with screws at both ends

SLIDE ELEMENT

Part no.

21.1795/0



TECHN. DATA / ITEMS SUPPLIED

- PE-UHMW, black
- With fastening material steel, zinc plated
- Ready to install with cable ducting and clamping
- Weight = 0.029 kg/piece

APPLICATIONS

- Guide for lightweight lifting doors and simultaneous connection of door element and balancing weight
- Especially suitable for direct attachment on surface elements without frame

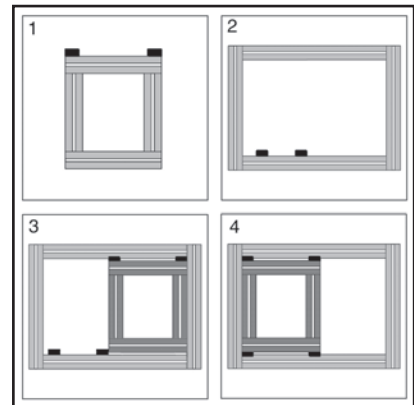
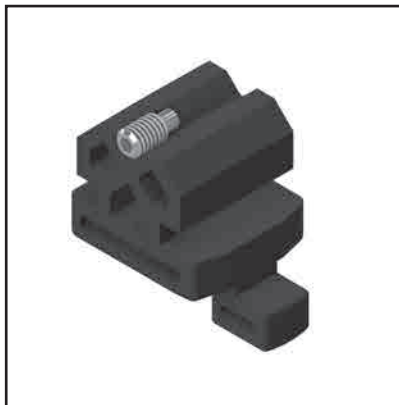
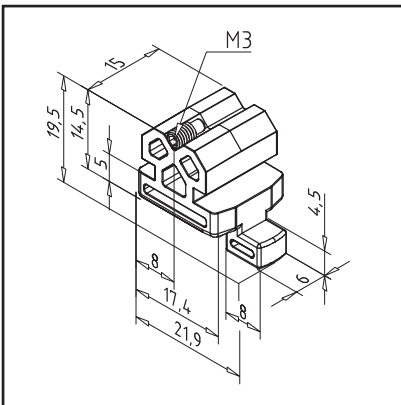
ASSEMBLY

- Connect rope of counterweight with slide tensioning element
- Secure cable end with clamp
- Screw into the groove of the vertical profile
- Screw panel element

GUIDE FOR SLIDING DOOR 30 V

Part no.

22.1184/0



TECHN. DATA / ITEMS SUPPLIED

- PA, black
- 1 locking screw
- For 1 door element 4 guides are necessary
- Weight = 0.004 kg/piece

APPLICATIONS

- Sliding doors
- sliding elements
- For a simultaneous guidance of 2 elements in 1 profile groove
- It is possible to retrofit sliding doors in existing constructions
- For use with door elements of profile series 30
- The outer frame construction can consist of profiles of series 45 as well as of series 30

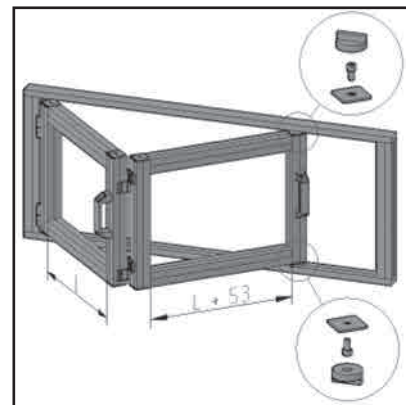
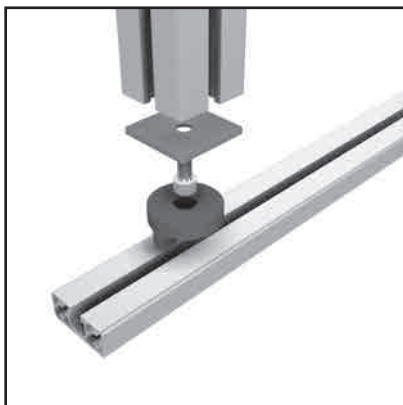
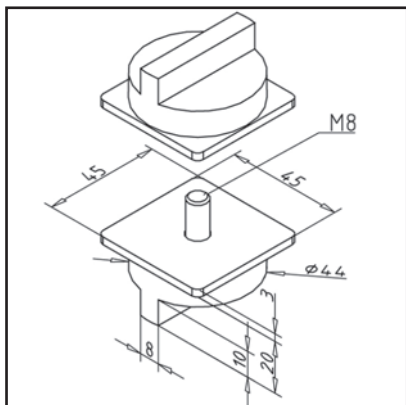
ASSEMBLY

- 1: Fasten the upper guide to the frame of the door element
 - 2: Insert the lower guide into the frame construction
 - 3: Rotate the door element
 - 4: Slide it into the lower guide and secure at desired position
- Replace the second door element
 - **Height of door elements:**
lichte Höhe der Einbauöffnung -11 mm
 - **Door element width (for 2 elements):**
(inside + 24 mm) : 2

FOLDING DOORWAY SET

Part no.

22.1148/0



TECHN. DATA / ITEMS SUPPLIED

- PE-UHMW, black
- Delivery: 1 pair
- With galvanized mounting screws M8 and end caps 45x45 AL
- Weight = 0.082 kg/set

APPLICATIONS

- For upper and lower guidance of folding doors made of aluminium profile
- Guiding in profile grooves

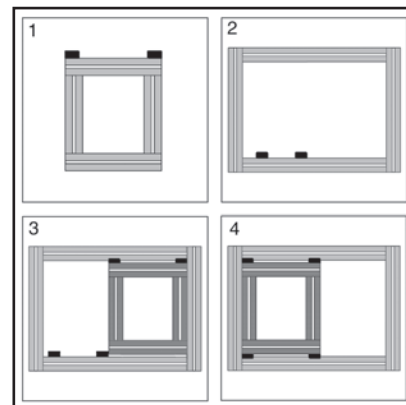
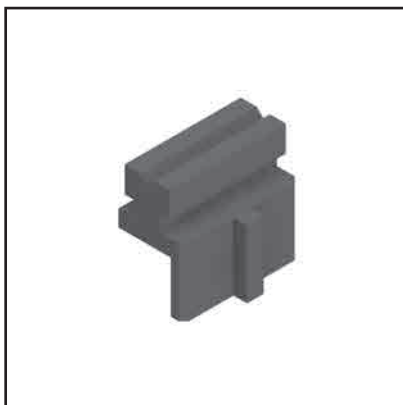
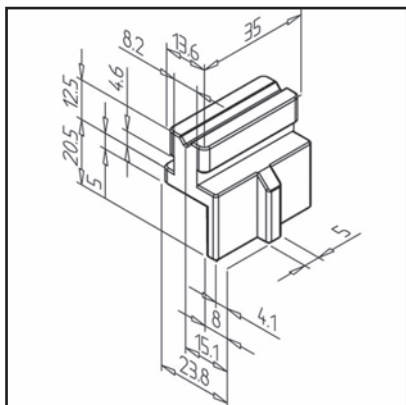
ASSEMBLY

- Mount end caps onto front door profile with screws from delivery scope
- Insert sliding piece in guide profile
- Insert mounted screws into drill hole of slide element
- Use always in pairs
- Dimensions are for profile cross section 45x45 for the door with hinge **part no. 21.1378/0**

GUIDE FOR SLIDING DOOR 45

Part no.

22.1079/0



TECHN. DATA / ITEMS SUPPLIED

- PA, black
- 1 locking screw
- For 1 door element 4 guides are necessary
- Weight = 0.014 kg/piece

APPLICATIONS

- Sliding doors
- sliding elements
- For a simultaneous guidance of 2 elements in 1 profile groove
- It is possible to retrofit sliding doors in existing constructions

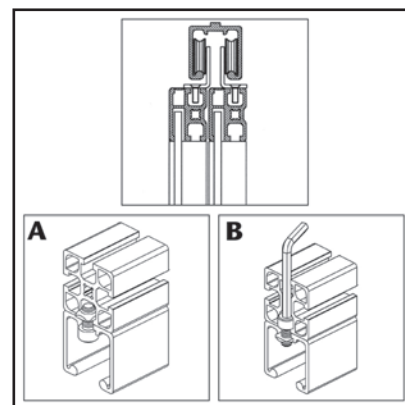
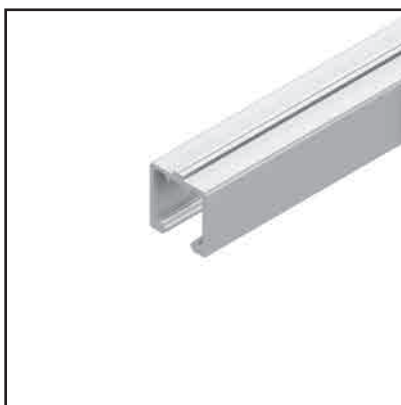
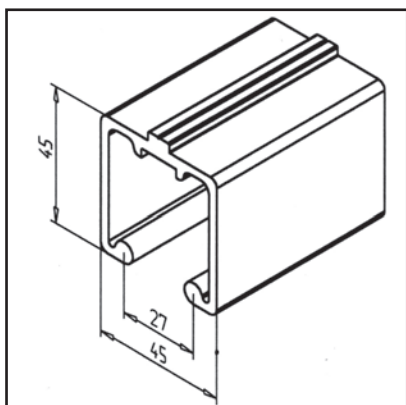
ASSEMBLY

- 1: Fasten the upper guide to the frame of the door element
- 2: Insert the lower guide into the frame construction
- 3: Rotate the door element
- 4: Slide it into the lower guide and secure at desired position
- Replace the second door element
- **Height of door elements:**
lichte Höhe der Einbauöffnung -11 mm
- **Width of door elements** (with 2 elements):
(lichte Weite + 49 mm) : 2

TRACK PROFILE

Part no.

20.1038/0



TECHN. DATA / ITEMS SUPPLIED

- Aluminium, extruded, anodized E6/EV1
- $I_x = 15.347 \text{ cm}^4$
- $I_y = 15.597 \text{ cm}^4$
- $w_x = 5.912 \text{ cm}^3$
- $w_y = 6.932 \text{ cm}^3$
- Weight = 1.470 kg/m
- Bar length = 6 m
- Packing unit = 48 m

APPLICATIONS

- Multi-leaf sliding doors
- Single-leaf sliding doors

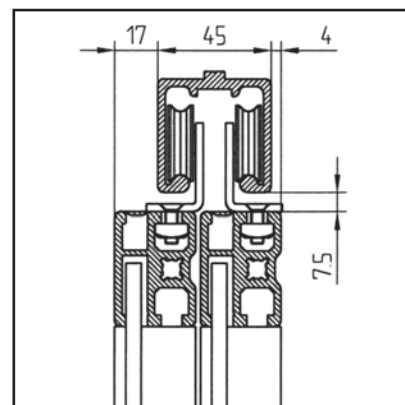
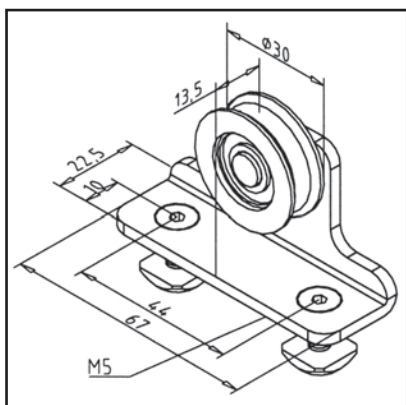
ASSEMBLY

- Drill $\varnothing 8,5$ mm holes in centering groove; bore pitch: 250 - 400 mm depending on the load
- A) Position M8 F square nuts in the supporting profile and fasten the sliding door profile with M8 x 25 hex socket cap screw
- B) Drill through or step holes into the carrier profile and insert square nut into the profile of the runner. Nuts are torsion-proof

ROLLER ELEMENT FOR SLIDING DOOR

Part no.

21.2000/0



TECHN. DATA / ITEMS SUPPLIED

- Plastic roller with ball-bearing
- Zinc plated steel support
- With fastening material steel, zinc plated
- Weight = 0.080 kg/piece

APPLICATIONS

- Easy-running, multi-wing sliding doors in guard units, exhibition stands, testing units, etc.

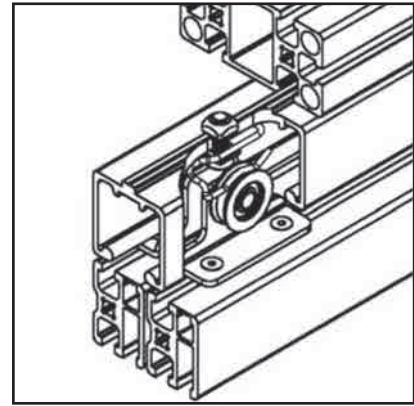
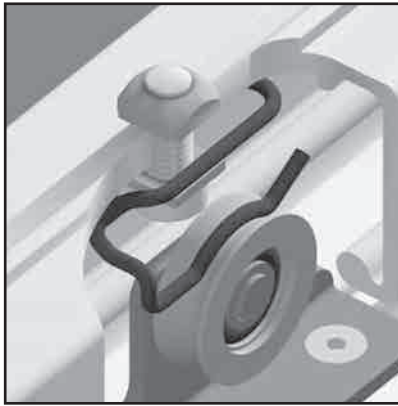
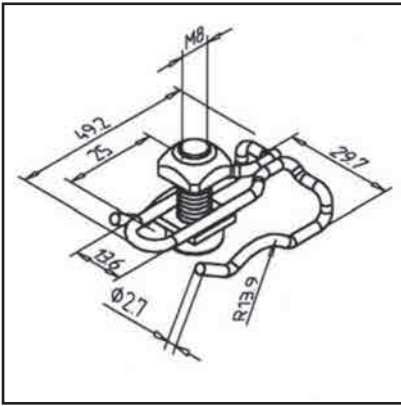
ASSEMBLY

- Attach the rollers to the profile groove using the mounting kit
- Mount the doors into the track profile, slightly swing out the doors at the bottom
- Sliding door at bottom with retaining pins, sliding bar 8N **part no. 22.1085/0** oder U-Führung Schiebetür **part no. 21.2002/1** secure against swinging away

INTERLOCK SLIDING DOOR K

Part no.

21.2019/0



TECHN. DATA / ITEMS SUPPLIED

- Stainless steel
- Spring steel wire
- With fastening material steel, zinc plated
- Weight = 0.026 kg/piece

APPLICATIONS

- Interlock sliding doors in their end positions (open / closed)

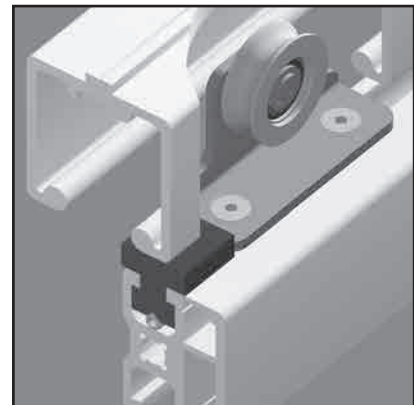
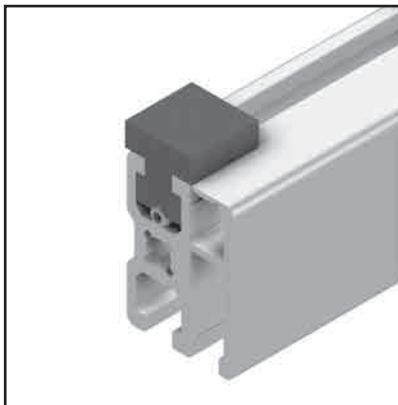
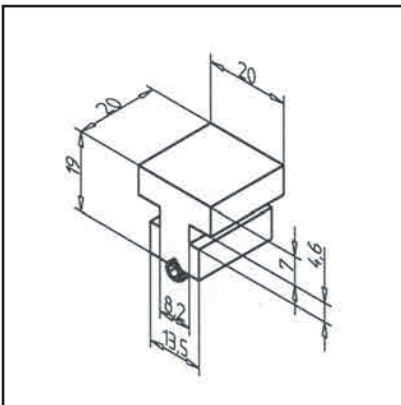
ASSEMBLY

- Mark the end position of the roll
- Bore drill Ø 8,5 in sliding door profile
- Screw into rail with carrier profile using mounting kit included

SAFETY CATCH FOR SLIDING DOOR

Part no.

21.2003/0



TECHN. DATA / ITEMS SUPPLIED

- PE-UHMW, black
- With fastening material steel, zinc plated
- Weight = 0.009 kg/piece

APPLICATIONS

- Securing of sliding doors against lift off
- Reduction of pendulum motion

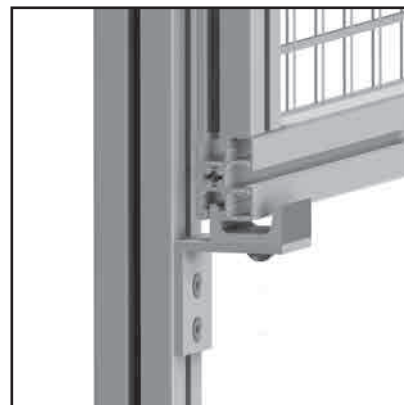
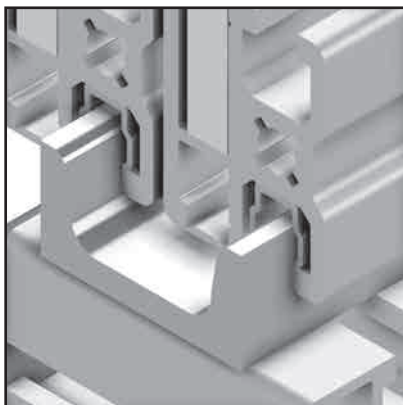
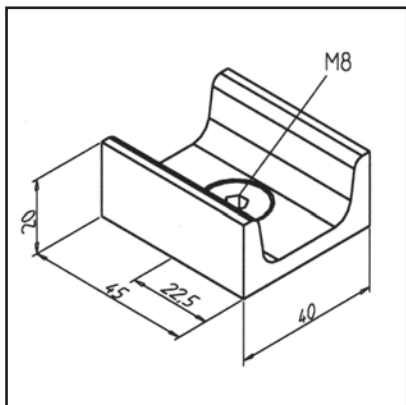
ASSEMBLY

- Insert the safety catch on the front side into the upper sliding door profile
- Fasten to the groove base through face-side screw using the threaded pin provided
- Install end cap

U-BAR FOR SLIDING DOOR

Part no.

21.2002/0



TECHN. DATA / ITEMS SUPPLIED

- Steel, galvanized
- With fastening material steel, zinc plated
- Weight = 0.150 kg/piece

APPLICATIONS

- Securing of sliding doors against lateral swinging

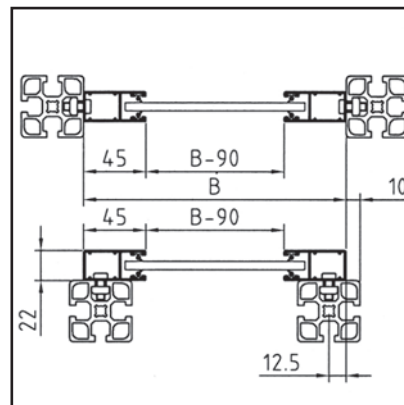
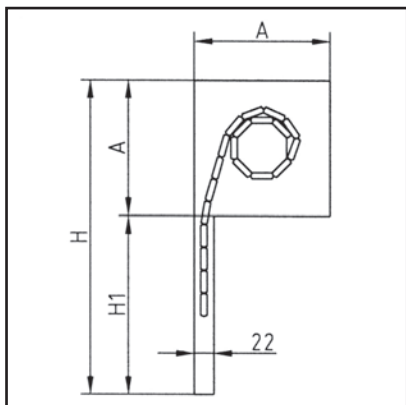
ASSEMBLY

- Hang up the doors
- Mount the U-rail on the profile piece and slide it into position
- Provide doors below with edging and cover profiles, if necessary

ROLLER SHUTTER WITH DRIVE

Part no.

29.0402/0



TECHN. DATA / ITEMS SUPPLIED

- Aluminium, powder coated, silver
- 2 sides Guide rails; roller shutter box with drive
- Electr. drive 230 V
- without switch
- Max. Width: 2,70 m
- Cable length 2 m
- **Please indicate width B and dimension H**

APPLICATIONS

- Cupboard for instruments
- Tool cabinets
- Output switch
- Computer racks
- Machine guards

ASSEMBLY

- Connect the roller shutter box to the guide rails
- Fasten the guide rails and roller shutter box to the profile frame
- Roller Shutter Case A = 152, H bis 1,70 m, **part no. 29.0402/0**
- Roller Shutter Case A = 167,5, H bis 2,20 m, **part no. 29.0403/0**
- Roller Shutter Case A = 181, H bis 2,70 m, **part no. 29.0404/0**
- Stroke H1: H-A