

FIPALIFT. Flexible lifting solutions for the movement of light to heavy loads





Customized handling solutions for ergonomic



FIPALIFT.
Our contribution to highly efficient and ergonomic moment of product

FIPA GmbH has been considered an innovative partner for the handling of the most diverse products in vacuum technology and End-of-Arm-Tooling for the past 30 years.

Based on this wealth of experience, we now offer solutions for the lifting of small and heavy loads in all areas of in-house logistics and production – from heavy cartons and bags to wooden and glass workpieces.

Our FIPALIFT tube lifters are manually guided lifting devices which can be customized to meet your own industrial requirements. This enables more efficient and faster working processes whilst relieving the physical stress on your employees at the same time.

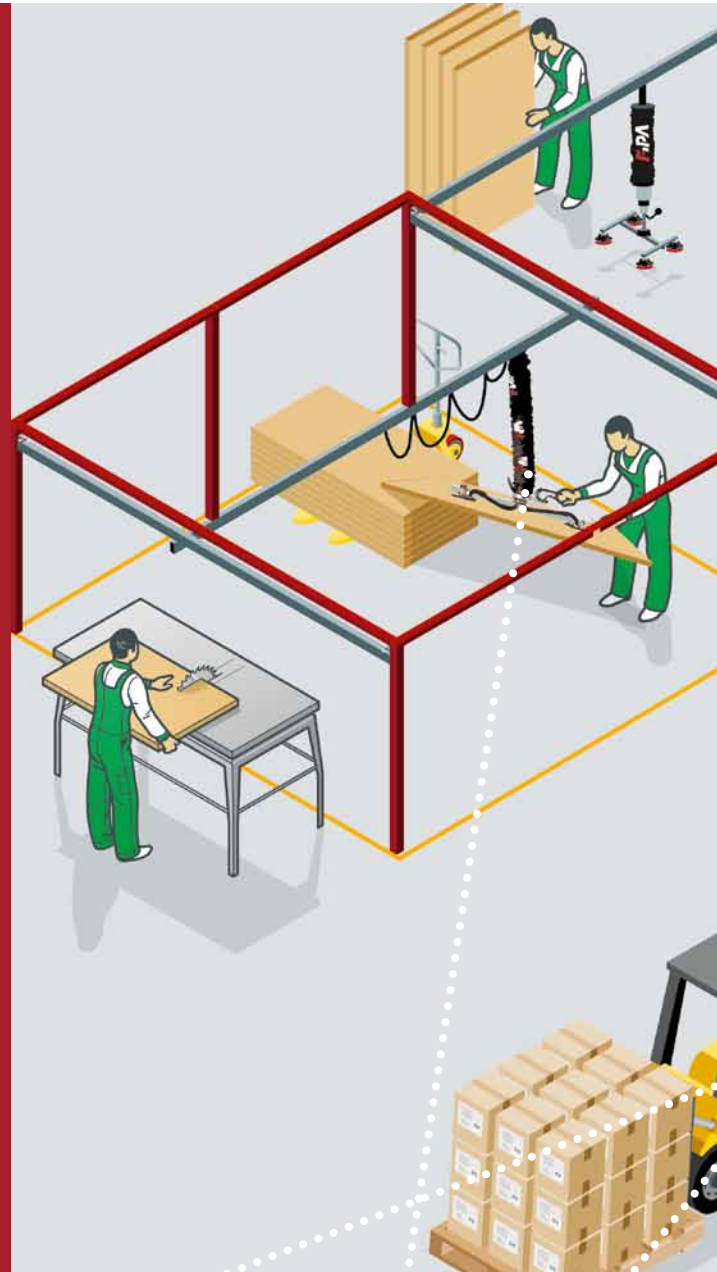
An additional aspect of the FIPALIFT tube lifters is their compatibility with components of the entire range of FIPA vacuum technology and End-of-Arm-Tooling.

Our services are also just as customized as the tube lifters themselves: Take advantage of our expertise from planning to the installation, or simply purchase the required components for installation using your own resources.

Whatever you decide to do and whatever your requirements are, FIPALIFT lets you make customized solutions a reality.

With this in mind, we look forward to providing you and your employees with the opportunity for effortless work.

Yours
Rainer Mehrer
CEO of FIPA GmbH



Tube lifter
FIPALIFT Smart



6

Tube lifter
FIPALIFT Expert



7

work flow in production and logistics



Tube lifter
FIPALIFT Basic



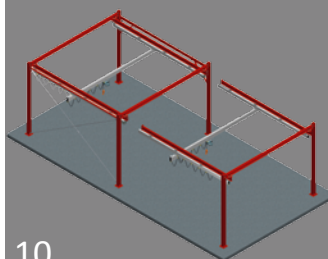
8

FIPA
Chain hoists



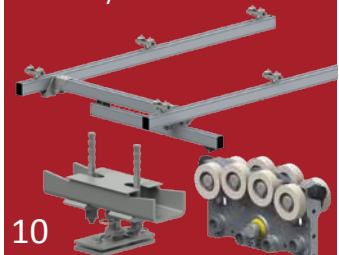
9

Complete crane systems



10

Components for crane systems
for do-it-yourself construction

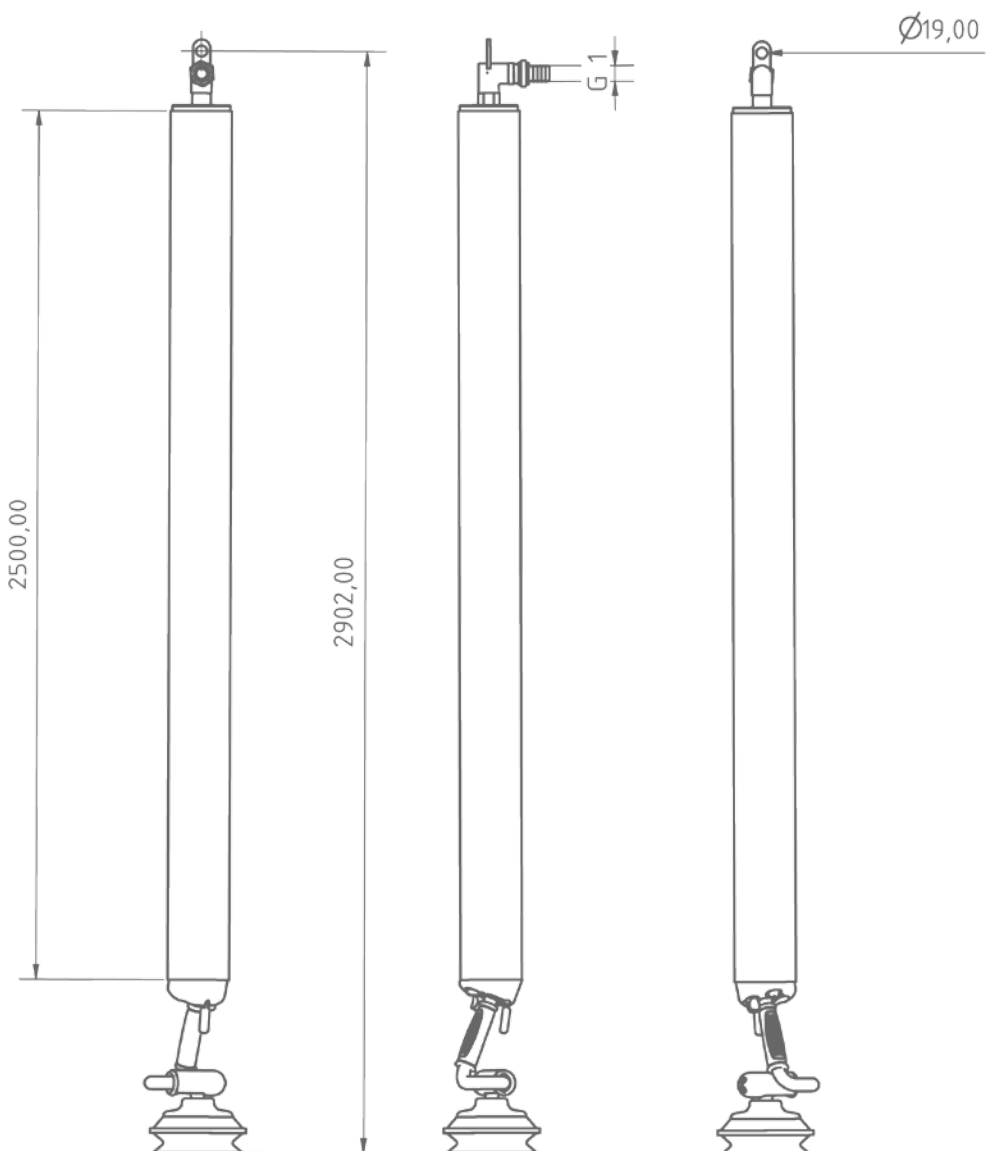


10

FIPALIFT

What is the secret here?

Each of the three tube lifters in the FIPALIFT series involves a lifting device attached to a crane which uses vacuum to enable the ergonomic and smooth lifting and moving of loads such as cartons, bags, wooden and plastic panels, sheets of steel or glass in the most diverse industries. The lifting and suction is completed in a single process, resulting in an efficient work rhythm. Our tube lifters are characterized by their ease of use and uncomplicated handling. Extensive training is not required.





Functionality of the tube lifters

Lifting and holding of the most diverse workpieces is achieved using vacuum. The lifting process is carried out using a spiral tube, referred to as the lifting tube. A load handling device is attached to the end of this tube, which primarily operates with vacuum but can also have a mechanical function. A suction cup is placed on the workpiece to be moved, the air in the suction cup and lifting tube is evacuated and the lifting tube contracts like an accordion, causing the workpiece to stick to the suction cup and be lifted. The load is lowered again when the vacuum drops. Depending on the application, the vacuum is generated either by a side channel blower, a vacuum pump, or a multi-chamber ejector (Venturi nozzle). An operating unit attached to the bottom of the tube lifter is used for manual control. This means that just one hand can control the suction, lifting, lowering and release of the load.

Your advantages:

- ✓ Fluid sequence of movements
- ✓ Suction and lifting in a single process
- ✓ Moving of heavy and awkward loads by just one person
- ✓ Ergonomic and healthy working method
- ✓ Less fatigue in the daily routine
- ✓ Prevention of back problems
- ✓ Easy operation without extensive training
- ✓ Motivation due to technology which is fun

Did you know that ...

- In 2013, one in 12 German employees was unable to work due to back disorders?
- A period of sick leave due to a back disorder lasts an average of 17.5 days - 5 days longer than the average incapacity for work?
- This has caused a drop in productivity of 9.1 billion € in the German economy?

FIPALIFT increases the productivity of your employees and ensures more efficient working processes.

Source: Techniker Krankenkasse, 2013 Study



FIPALIFT Smart.

The smart solution for your in-house processes



The ergonomic FIPALIFT Smart tube lifter with a **lifting capacity of up to 65 kg** is used most frequently for the moving and picking of packages and crates. The application range covers all in-house logistic processes.

The user-friendly control unit enables rapid, fluid movement.

The Smart tube lifter is simply attached to any side of the workpiece and then lifts it up. The lifter and its load can easily be rotated through 360° for precise load placement.

You can easily adapt the device for right- or left-handed users: Remove the trigger and reinsert it on the side appropriate for the user.

A wide range of optional extras and accessories make it possible to expand the FIPALIFT Smart and adapt it to your individual requirements.

Options:

- ✓ Automatic shutoff of the vacuum supply
- ✓ Wireless remote control for shutting off the vacuum supply
- ✓ Stainless steel designs for use in the food industry and in corrosive environments
- ✓ Lift changeover pulley for use in low-headroom locations
- ✓ Silencing box for reducing the noise level at the vacuum pump
- ✓ The largest selection of suction cups worldwide for the lifting of loads



FIPALIFT Expert.

The professional choice for heavy and awkward loads

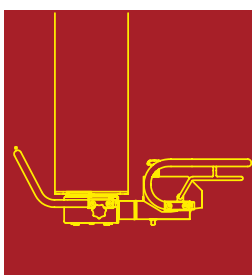
The FIPALIFT Expert tube lifter with a **lifting capacity of 30 kg to 230 kg** is primarily suited for the lifting of heavy plates, panels or steel sheets such as for the loading and unloading of machines and the transport of heavy bags or crates.

The sturdy design also permits operation in particularly harsh production environments.

Take advantage of our many years of expertise in gripper assembly and adapt the device to your individual requirements without great expenditure. An adapter can be used simply to design any conceivable load pick-up with the FIPA gripper assembly construction kit.

Options:

- ✓ Automatic shutoff of the vacuum supply
- ✓ Wireless remote control for shutting off the vacuum supply
- ✓ Stainless steel designs for use in the food industry and in corrosive environments
- ✓ Silencing box for reducing the noise level at the vacuum pump
- ✓ Elongated control units and crossbeams for handling large plates



FIPALIFT Basic.

The versatile choice of tube lifters



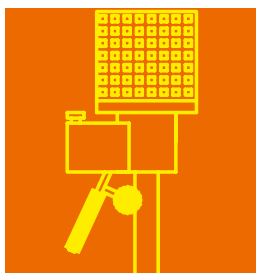
The FIPALIFT Basic tube lifter with a **lifting capacity of up to 55 kg** is characterized by its high modularity with low investment costs.

Its special safety valve also enables the use of a mechanical load handling device, so that even those loads not having any suitable surfaces for applying suction can also be lifted. These include, for example, open storage boxes or beverage crates.

An adapter for using the FIPA gripper assembly kit is available for the Basic tube lifter, allowing customized solutions to be realized in the easiest possible manner.

Options:

- ✓ Wireless remote vacuum control
- ✓ Stainless steel designs for use in the food industry and corrosive environments
- ✓ Silencing box for reducing the noise level of the vacuum pump
- ✓ The largest selection of suction cups worldwide for the lifting of loads
- ✓ Elongated control units for handling awkward goods



FIPA Chain hoists.

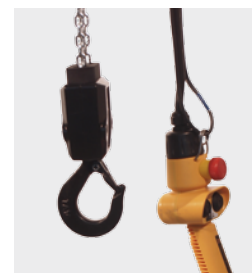
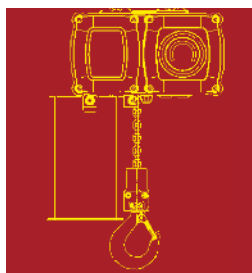
The classic

The advantages of FIPA chain hoists with a **lifting capacity of 250 kg to 500 kg**, compared to other lifting devices, are the high positional accuracy and the long-term retention of the height level. Both of these features are particularly important during assembly work. An additional argument for the purchase of a chain hoist is the price-performance ratio in comparison with other lifting devices.

Their durability and ease of maintenance will make the chain hoists a constant companion on your shop floor. Whether as a shop crane or installation aid for heavy components, for the equipping of machines or the occasional transport of loads: FIPA chain hoists are designed with two lifting speeds and have a lifting height of 3 m.

Options:

- ✓ Meter-by-meter extension of the lifting height
- ✓ Wireless remote control
- ✓ Load chain made from stainless and acid-resistant steel
- ✓ Hour counter
- ✓ Synchronization for operation with multiple chain hoists
- ✓ Suspension hooks instead of suspension brackets

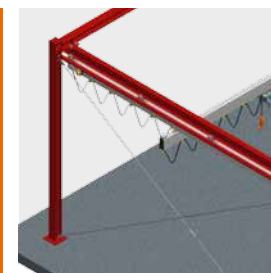
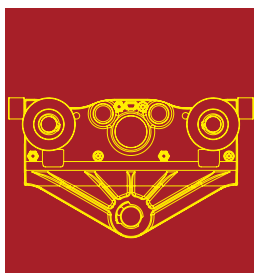
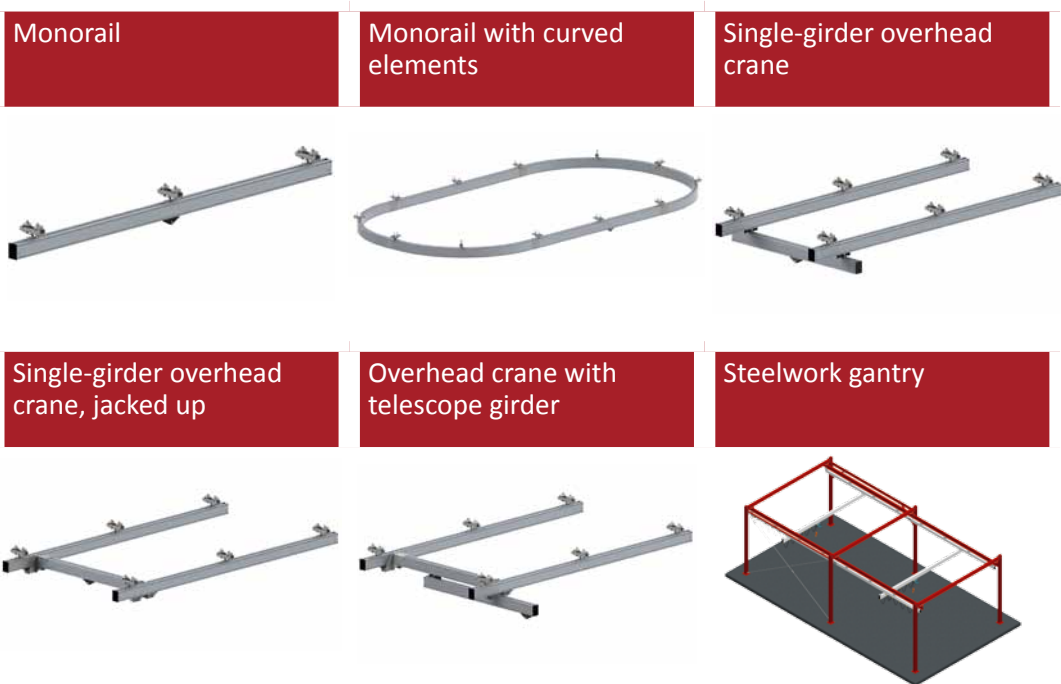


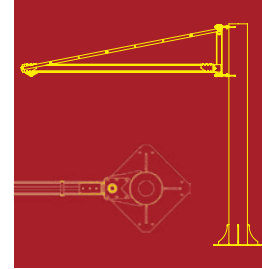
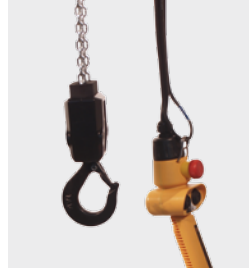


Customized crane technology

FIPA can also provide you with complete crane systems, from onsite consultation, planning, design and professional assembly. A competent and experienced design team make it possible to develop a broad range of custom solutions to meet the specific requirements of your manufacturing environment.

Our crane systems are characterized by particularly smooth running which is essential for ergonomic operation with low physical force. Heavy loads can be gently lifted in this manner with just one hand and transported from A to B without any startup resistance. FIPA crane technology represents the logical supplement to the FIPALIFT tube lifters.





In addition to this, we have a complete range of easy to install, wall and column-mounted slewing cranes with **load capacities of 125 kg to 500 kg** and outrigger lengths of **2 m to 6 m**.



The modularity of our components enables us to prepare a quote quickly, followed by an efficient and professional project development. This makes it possible to achieve custom solutions from our standard program.

Low resistance crane rails



Gape trolley



Pendular suspension concrete ceiling



Energy trolleys with belt



You can also purchase the individual components from FIPA such as low resistance crane rails, suspensions, trolleys and numerous accessories to supplement your installation and energy supply in order to build your own crane system.

www.fipalift.com

Keep well informed about all issues of material flow with our free FIPA newsletter. Subscribe now at www.fipa.com!

- > Do you have any technical questions about our products?
- > Would you like to request a quote?
- > Or are you interested in CAD data and data sheets for our products?



We would be happy to advise you personally or on the phone using **+49 (0) 89/96 24 89-0**. We would also be glad to receive your email at info@fipa.com! Or visit us directly at our homepage www.fipa.com!



FIPA worldwide

FIPA GmbH
Freisinger Strasse 30
85737 Ismaning / Germany
Phone +49 (0)89/96 24 89 – 0
Fax +49 (0)89/96 24 89 – 11
info@fipa.com | www.fipa.com

FIPA Inc.
1855 Evans Road
Cary, NC 27513 / USA
Phone +1(919) 6519888
Fax +1(919) 5730871
sales.us@fipa.com | www.fipa.com

FIPA Ltd.
The Trendy Plaza, 10/30 1A Floor
Sukhumvit 13 Klong Toey Nua, Wattana
10110 Bangkok / Thailand
Phone +66(0) 2168 7036
Fax +66(0) 2168 7037
sales.th@fipa.com | www.fipa.com

FIPA
Material in Motion