

	3.1	WORKSTATIONS	362
	3.2	HEIGHT ADJUSTABLE WORKSTATIONS	364
	3.3	TABLETOPS	373
	3.4	COUNTER CABINETS	377
	3.5	LIGHTING	385
	3.6	ENERGY SUPPLY	389
	3.7	EQUIPMENT	391
	3.8	FOOT RESTS	389
	3.9	PNEUMATICS	436
	3.10	KANBAN-SYSTEMS	439
	3.11	LIFTER	451
	3.12	ASSEMBLY DEVICES	456
	3.13	ESD-ACCESSORIES	459

WORKPLACE DESIGN



The MiniTec profile system and the MiniTec iCADassembler have been setting standards for many years in the design of production flow, workstations, factory automation and machine protection.

Tailor-made workplaces avoid disadvantageous compromises. The MiniTec modular system with the corresponding software are the basis for economical and fast realization of the optimal problem solution. All system components are compatible and can be combined into production systems. Flexibility and economy do not have to be competing goals. Manual workstations allow a highly flexible reaction to changing requirements or are ideal for individual production. In combination with the many linking possibilities from the MiniTec range, even complex manufacturing systems can be designed economically. Manual components - such as roller conveyors, roller tracks for KanBan solutions or material trolleys - are available for linking the workstations. Automatic linking is produced with linear axes, belt

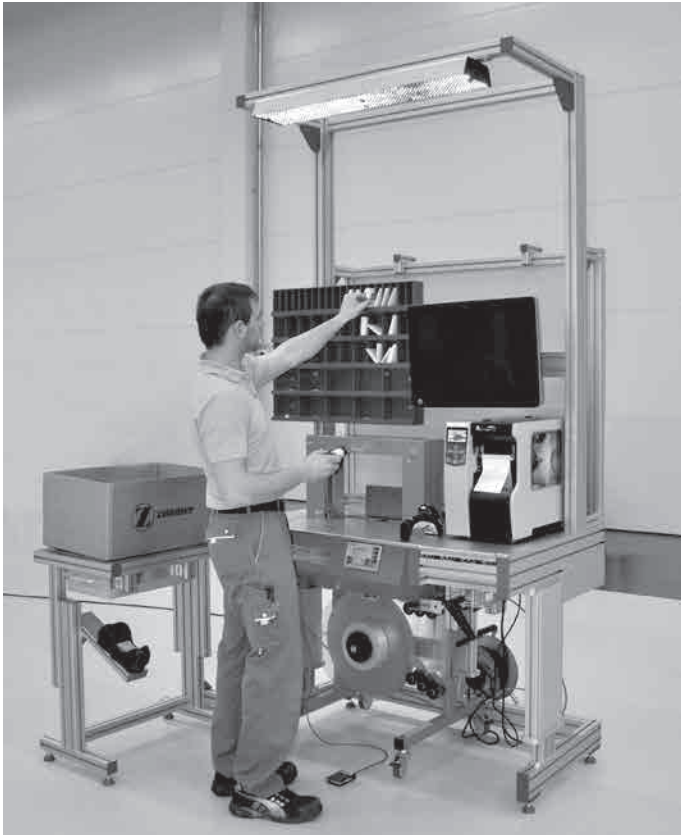


conveyors or the flexible transfer system TSG.

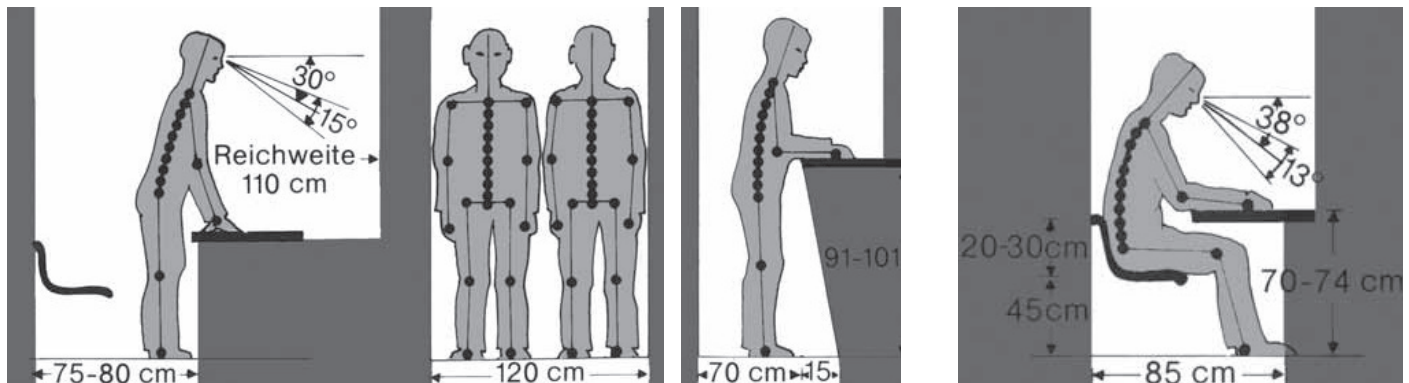
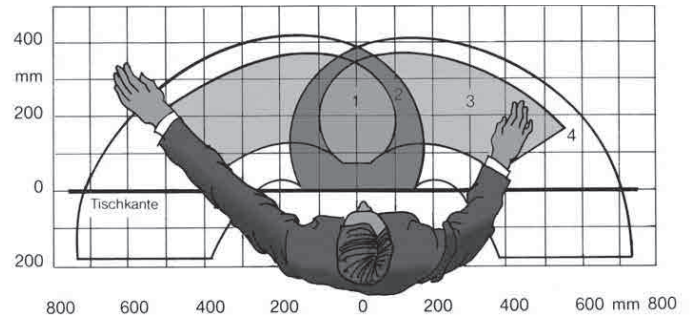
Our design software MiniTec iCADassembler is freely available for designing the workstations. Workstations in a wide variety of designs are designed individually by the software in the shortest possible time. The system automatically creates the bill of materials and, if required, an assembly plan. Automatic design modules for linear technology, protective devices and conveyor systems are also available.

Our electronic catalogue also contains all components of the MiniTec modular system with interfaces to all common CAD systems.

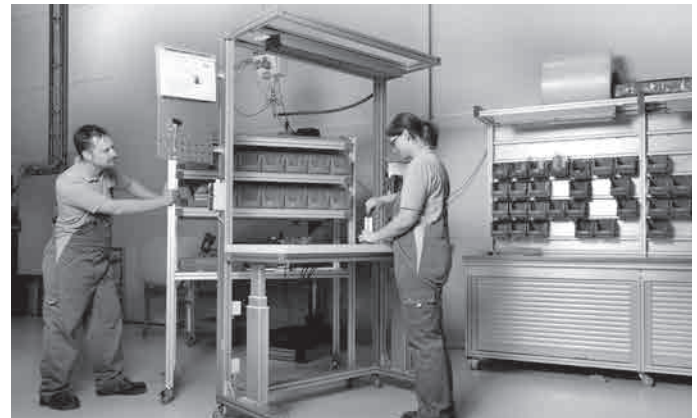
WORKPLACE DESIGN



The design of the workstations is described according to ergonomic findings in DIN EN ISO 6385. The task of ergonomic design is, among other things, to adapt the workplace, work area, environment and lighting to the characteristics and abilities of the human being. The modular system for designing individual workstations enables optimum adaptation to the respective task and the individual employee.



EXAMPLE PICTURES



WORKSTATIONS

The workstation belongs to the standard equipment in the productive areas of many companies. Due to its flexible, ergonomic and goal-oriented Design is the basis for extremely economical flexible workstation systems. On the next pages we introduce the different worktable models.



BASIC WORKSTATIONS

Individual. The MiniTec workstations from the modular system.

MiniTec offers you different base frames with or without portal construction. You can either define the dimensions yourself or use standard variants with given dimensions.

Workstation



Workstation L with portal



Workstation S with reinforced portal construction

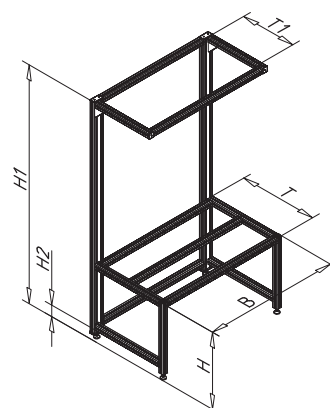
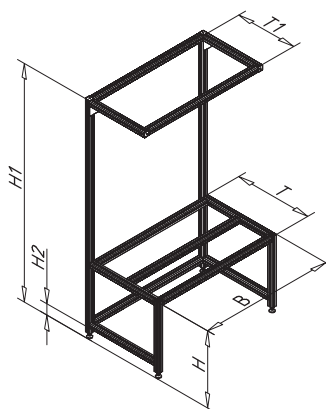
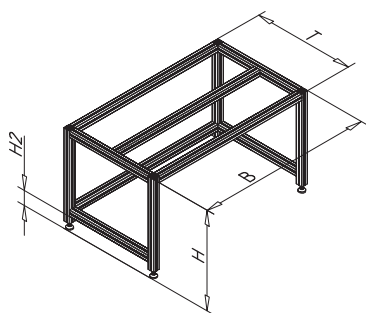


Sample application

Sample application

Sample application

		Workstations			
		Preferred dimensions			
Width (B)	variable	1000	1200	1500	2000
Depth (T)	variable	700			
Depth (T1)	variable	555			
Height (H)	variable	678			
Height (H1)	variable	2100			
Height (H2)	variable	100			
max. load capacity [N] Type L/S	variable	1500	1000	800	800/1200
Workstation	32.0111/0	32.0111/1	32.0111/2	32.0111/3	32.0111/4
Workstation L with portal	32.0112/0	32.0112/1	32.0112/2	32.0112/3	32.0112/4
Container table S with portal	32.0113/0	32.0113/1	32.0113/2	32.0113/3	32.0113/3



- Our basic workstations are available without a portal, with portal or reinforced portal
- The base frame of our workstations consists of the profile 45 x 45 F, anodised E6 /EV1.
- The frame is mounted electrically conductive with the MiniTec power-lock fastener.
- To compensate for uneven floors, the bases are equipped with articulated feet PA, spindle M10 plate Ø45mm.
- The racks are supplied without Tabletops and the necessary mounting brackets for tabletops.
- The workstation S with portal has a reinforced portal structure and can be loaded more heavily with a table width of 2000mm

HEIGHT ADJUSTABLE WORKSTATIONS

Always at the right height.

Ergonomic design represents a particular challenge in workplace design, as it significantly influences the health, performance, endurance, concentration and not least the motivation of the workers.

The height-adjustable MiniTec workstations are also available hydraulic and electric height adjustment. In addition to a se-

lection of standard tables with fixed dimensions, the tables can also be freely configured and easily supplemented with portal structures if required.

HYDRAULICALLY ADJUSTABLE
WORKSTATIONS

Example application - stroke 300 (hydraulic)

ELECTRICALLY HEIGHT ADJUSTABLE
WORKSTATIONS

Example application - stroke 400 (electrical)

- The base frame of the hydraulically height-adjustable tables consists of the profile 45x90 F and 45x45 F, anodised E6/EV1.
- To compensate for uneven floors (+/- 10 mm), the base frames are equipped with PA articulated feet, M10 spindle Ø80mm disc.
- A large selection of Tabletops can be found page373
- The height adjustment is available with either 300 or 400 mm stroke. Lifting speed: 5 mm / crank rotation.

PORTAL CONSTRUCTIONS



Portal construction

Electr. height adjustable workstation
with portal

- Thanks to the modular principle, both hydraulically and electrically height-adjustable worktables can be quickly and easily supplemented with portal structures if required.

HEIGHT ADJUSTABLE WORKSTATIONS

Hydraulically height adjustable workstations

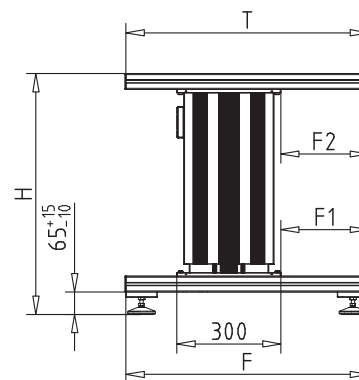
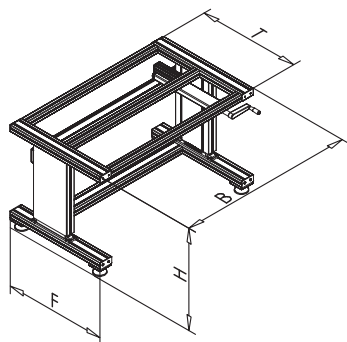


Table - stroke 300



Sample application

Hydraulically height adjustable tables					
		Preferred dimensions in mm			
Width (B)	variable	1000	1200	1500 U/min	2000
Depth (T)	variable	700			
Height (H)		695 (stroke 300) / 795 (stroke 400)			
F	variable	700			
F1	variable	253			
F2	variable	253			
max. Load [N]	variable	1500	1000	800	1200
Hydraulically height adjustable table - stroke 300	32.0170/0	32.0170/1	32.0170/2	32.0170/3	32.0170/4
Hydraulically height adjustable table - stroke 400	32.0171/0	32.0171/1	32.0171/2	32.0171/3	32.0171/4



- The base frame of the hydraulically height adjustable tables consists of the profile 45x90 F and 45x45 F, anodised E6/EV1.
- To compensate for uneven floors (+/- 10 mm), the base frames are equipped with PA articulated feet, M10 spindle Ø80mm disc.
- The racks are supplied without tabletops and the necessary mounting brackets for tabletops.
- A large selection of Tabletops can be found page 373
- The height adjustment is available with either 300 or 400 mm stroke. Lifting speed: 5 mm / crank rotation.
- The hand pump with retractable hand crank is mounted under the Tabletop.

HEIGHT ADJUSTABLE WORKSTATIONS

Electrically height adjustable workstations

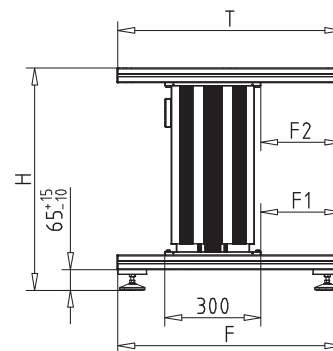
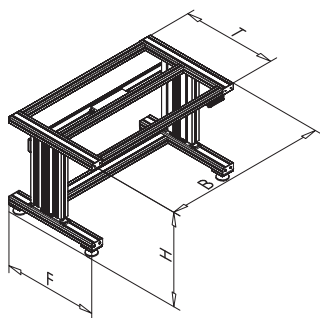


Stroke 300 mm



Sample application

Electrically height-adjustable tables					
		Preferred dimensions in mm			
Width (B)	variable	1000	1200	1500	2000
Depth (T)	variable	700			
Height (H)		695 (stroke 300) / 795 (stroke 400)			
F	variable	700			
F1	variable	253			
F2	variable	253			
max. Load [N]	variable	1500	1000	800	1200
Electrically height-adjustable table - stroke 300	32.0172/0	32.0172/1	32.0172/2	32.0172/3	32.0172/4
Electrically height-adjustable table - stroke 400	32.0173/0	32.0173/1	32.0173/2	32.0173/3	32.0173/4



- The base frame of the electrically height-adjustable tables consists of the profile 45x90 F and 45x45 F, anodized E6/EV1.
- To compensate for uneven floors (+/- 10 mm), the base frames are equipped with PA articulated feet, M10 spindle Ø80mm disc.
- The racks are supplied without Tabletops and the necessary mounting brackets for Tabletops.
- A large selection of Tabletops can be found page373
- The height adjustment is available with either 300 or 400 mm stroke. The max. Lifting speed is 9 mm/s.
- Operation is via a manual switch with 3-digit display, two buttons for up / down function and four storable positions.

Portal constructions

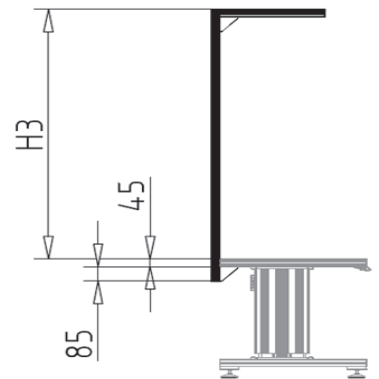
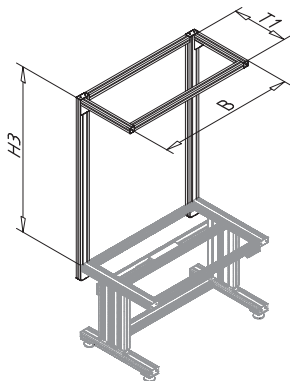


Portal construction



Sample application

Portal constructions					
Width (B)	variable	Preferred dimensions in mm			
		1000	1200	1500	2000
Depth (T1)	variable	500			
Height (H3)	variable	1455			
Portal constructions	320174/0	320174/1	320174/2	320174/3	320174/4



- Thanks to the modular design principle, both the hydraulically and electrically height-adjustable worktables can be quickly and easily supplemented with portal structures if required.
- The portal structures can either be freely configured or ordered in predefined standard dimensions.

The ergonomically optimal working height for every application

The workers expect that their desks and the tools and objects to be gripped are adapted to their individual needs and arranged at the correct height. A fatigue or even damage to the body must be avoided from the outset. In order to meet this requirement - regardless of the respective application - MiniTec offers

three different flexible lift systems made of colourless anodized aluminum profiles with different lifting and installation heights at.

Hydraulic lift system „HLS 1G“

Electric lift system „ELS 1G“

Electric lift system „ELS“



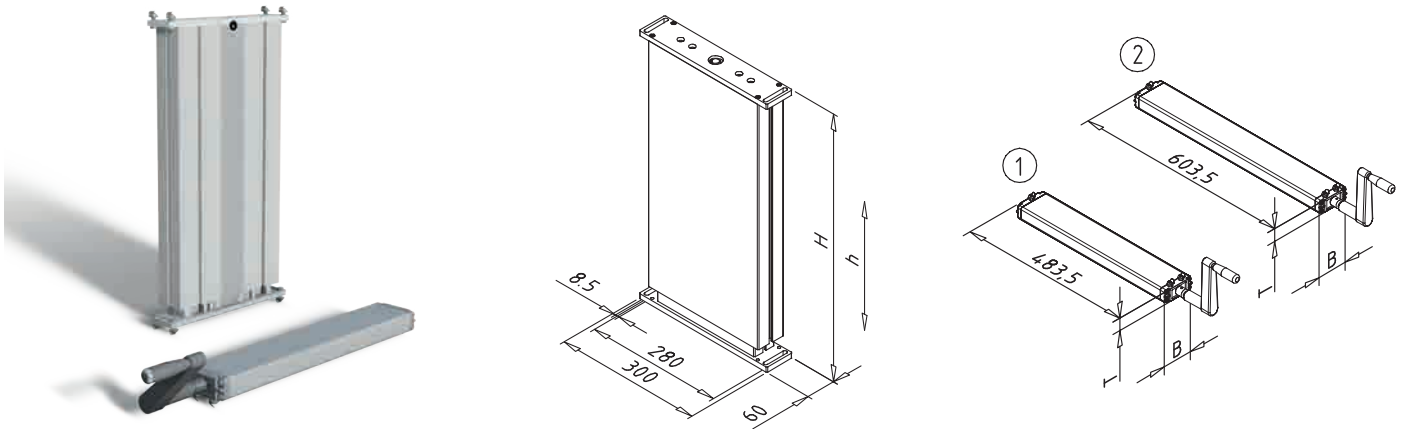
	HLS 1G		ELS 1G		ELS L		ELS S	
	Stroke 300	Stroke 400	Stroke 300	Stroke 400	Stroke 350	Stroke 400	Stroke 350	Stroke 400
Max. system load capacity [N] for 2-3 columns	3000		6000		3200		6400	
Pressure force per column [N]	1500		3000		1600		3200	
Tensile force dyn/stat [N]	0		50/500		800		1600	
Installation height	540	640	540	640	545	595	545	595
Number of fixing grooves	4		4		6		6	
Suitable for mobile solutions	yes		no		no		no	
Lifting speed	5mm per turn of the crank		9 mm/s		9 mm/s		9 mm/s	
Synchronous operation possible up to max.	10 lifting columns		12 lifting columns		12 lifting columns		12 lifting columns	
Flexible number of columns by user	no		yes*		no		no	
Number of lifting columns is automatically detected by the controller	-		yes*		no		no	

* 1 to 3 columns are automatically recognized - more than 3 columns on request

APPLICATIONS

- Height adjustment of individual workplaces & complete packaging, assembly and manufacturing equipment as well as office units & furniture in general, material supply, fixtures

Hydraulic lift system „HLS 1G“



Hydraulic lift system HLS 1G							
Type	Stroke h	Installation height H	Pump type	Number of columns			
				1	2	3	4
HLS-300S-1G	300 mm	540 mm	1	HLS-300S/540-1000-1G-1	HLS-300S/540-3000-1G-2	HLS-300S/540-3000-1G-3	HLS-300S/540-3000-1G-4
				Part no. 32.0182/1	Part no. 32.0182/2	Part no. 32.0182/3	Part no. 32.0182/4
HLS-400S-1G	400 mm	640 mm	2	HLS-400S/640-1000-1G-1	HLS-400S/640-3000-1G-2	HLS-400S/640-3000-1G-3	HLS-400S/640-3000-1G-4
				Part no. 32.0183/1	Part no. 32.0183/2	Part no. 32.0183/3	Part no. 32.0183/4
Max. system load capacity				1000 N	3000 N	3000 N	3000 N
Pump width/depth				85/35 mm		120/60 mm	
Higher loads and more than 4 lifting columns on request							

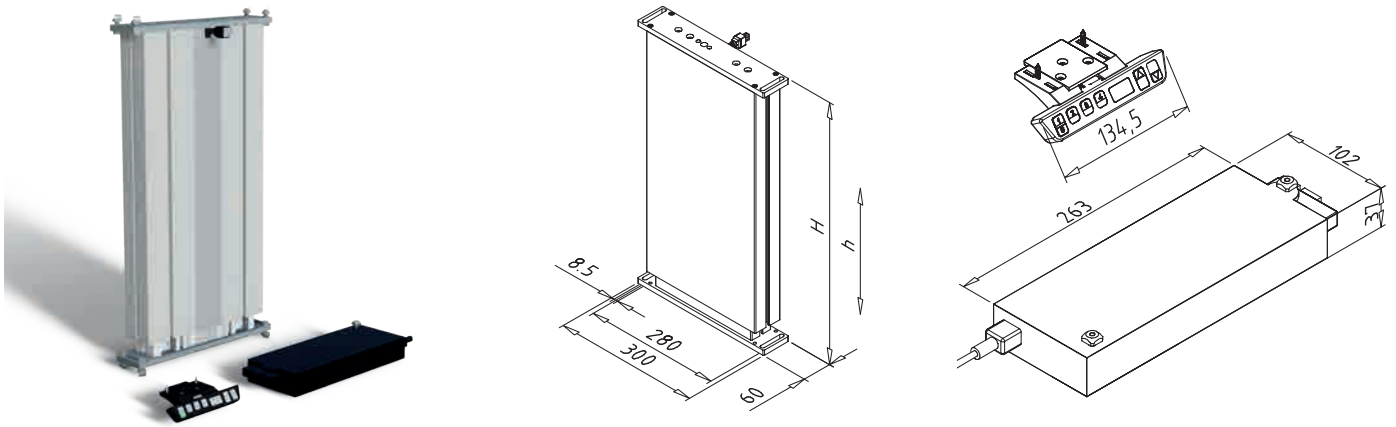
APPLICATION

- Height adjustment of individual workplaces & complete packaging, assembly and manufacturing equipment as well as office units & furniture in general, material supply, fixtures, material supply

TECHNICAL DATA

- Anodised aluminum profile E6 / EV1 with plastic glides
- 4 mounting grooves on 3 sides allow on total
- Column length attachment of trusses, clipboards as well as attachments and superstructures
- Lifting speed: 5 mm each turn of the crank
- max. static bending moment: 1500 Nm
- max. dynamic bending moment: 150 Nm Single-acting hydraulics: restoring force necessary!
- Restoring force = [(1.5kg x hose length in m) + 6kg] x number of columns
- Hose length per column: 4m
- Installation position: only pressing. The system must not be loaded with tension (if necessary, provide for transport lock)
- Synchronous operation: up to max. 10 columns possible
- Ambient temperature: + 10 ° to + 40 ° C
- IP 30

Electric lift system „ELS 1G“



Electric lift system ELS 1G					
Type	Stroke h	Installation height H	Anzahl der Säulen		
			1	2	3
ELS-300-1G	300 mm	540 mm	ELS-300/540-3000-1G-1	ELS-300/540-6000-1G-2	ELS-300/540-6000-1G-3
			Part no. 32.0180/1	Part no. 32.0180/2	Part no. 32.0180/3
ELS-400-1G	400 mm	640 mm	ELS-400/640-3000-1G-1	ELS-400/640-6000-1G-2	ELS-400/640-6000-1G-3
			Part no. 32.0181/1	Part no. 32.0181/2	Part no. 32.0181/3
Max. system load capacity			3000 N	6000 N	6000 N
Higher loads and more than 3 columns on request					

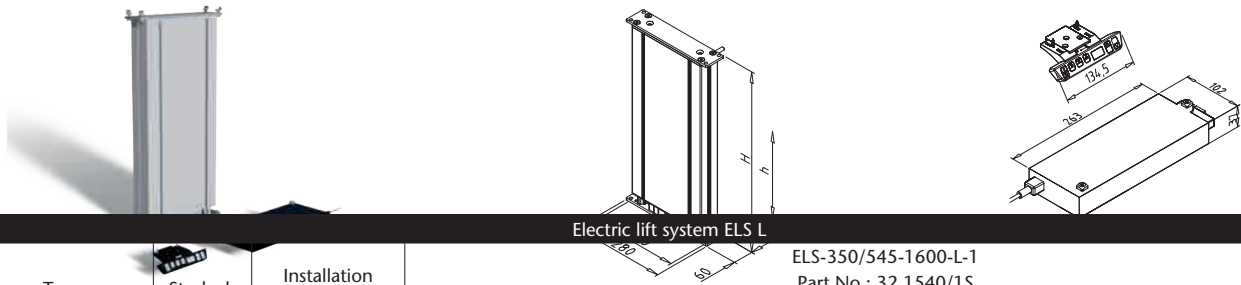
APPLICATION

- Height adjustment of individual workplaces & complete packaging, assembly and manufacturing equipment as well as office units & furniture in general

TECHNICAL DATA

- Anodised aluminum profile E6 / EV1 with plastic glides
- 4 mounting grooves on 3 sides make it possible to mount trusses, clipboards as well as attachments and superstructures over the entire leg length
- Lifting speed: 9mm/s
- Drive: Internal DC drive with built-in limit switches and 2 Hall sensors
- max. bending moments / column: in the longitudinal direction 1200 Nm static, 450 Nm dynamic; in the transverse direction 550 Nm static, 200Nm dynamic
- max. tensile load/column: 500N static, 50N dynamic
- Cable feed per column: L=1700mm
- Cable outlet on the large profile on the inside
- IP 30
- Duty cycle: 10 % (S3) during periodic operation and max. load (2 min. ON /18 min. OFF)
- Installation position: preferably pushing
- Synchronous operation: up to max. 12 columns possible
- Ambient temperature: +10° bis +40°C
- Control system: Synchronous control for controlling up to 3 columns „Plug & Play“ (bis zu 12 auf Anfrage)
- Manual switch: with display and memory function
- Items supplied: Electric lifts with mounting hardware, synchronous control and manual switch
- Accessories: motor extension cable, Part no.: 27.0109/0
Manual switch extension cable, Part no.: 27.0110/0

Electric lift system „ELS”



Electric lift system ELS L					
Type	Stroke h	Installation height H	ELS-350/545-1600-L-1 Part No.: 32.1540/1S		
			1	2	3
ELS-350 L	350 mm	545 mm	ELS-350/545-1600-L-1	ELS-350/545-3200-L-2	ELS-350/545-3200-L-3
			Part no. 32.1540/1	Part no. 32.1540/2	Part no. 32.1540/3
ELS-400 L	400 mm	595 mm	ELS-400/595-1600-L-1	ELS-400/595-3200-L-2	ELS-400/595-3200-L-3
			Part no. 32.1510/1	Part no. 32.1510/2	Part no. 32.1510/3
Max. system load capacity			1600 N	3200 N	3200 N
Higher loads and more than 3 columns on request					

Electric lift system ELS S - for higher loads					
Type	Stroke h	Installation height H	ELS-350/545-1600-L-1 Part No.: 32.1540/1S		
			1	2	3
ELS-350 S	350 mm	545 mm	ELS-350/545-3200-S-1	ELS-350/545-6400-S-2	ELS-350/545-6400-S-3
			Part no. 32.1530/1	Part no. 32.1530/2	Part no. 32.1530/3
ELS-400 S	400 mm	595 mm	ELS-400/595-3200-S-1	ELS-400/595-6400-S-2	ELS-400/595-6400-S-3
			Part no. 32.1500/1	Part no. 32.1500/2	Part no. 32.1500/3
Max. system load capacity			3200 N	6400 N	6400 N
Higher loads and more than 3 columns on request					

APPLICATION

- Height adjustment of individual workplaces & complete packaging, assembly and manufacturing equipment as well as office units & Furniture in general - for ergonomically optimal working height

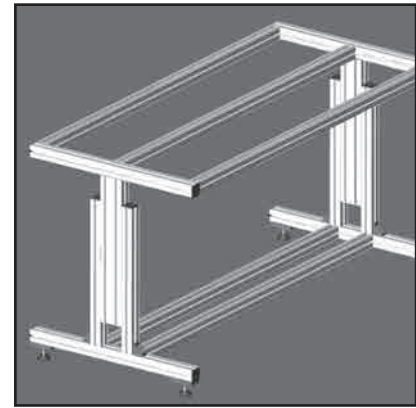
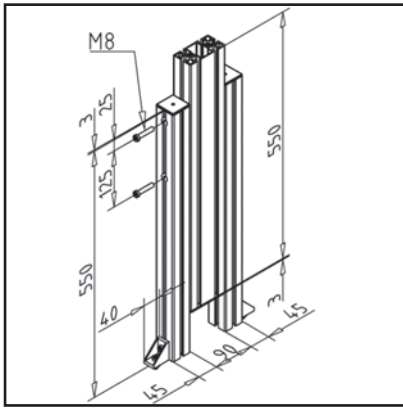
TECHNICAL DATA

- Anodised aluminum profile E6 / EV1 with plastic glides
- 4 mounting grooves on 3 sides make it possible to mount trusses, clipboards as well as attachments and superstructures over the entire leg length
- Lifting speed: 9mm/s
- Drive: Internal DC drive with built-in limit switches and 2 Hall sensors
- Max. Bending moments / column: in the longitudinal direction 1200 Nm static, 500 Nm dynamic; in the transverse direction 450 Nm static, 255Nm dynamic
- Max. tensile load/column: 500N static, 50N dynamic
- Cable supply per column: L=1200mm;
- Cable outlet on large profile on the inside
- IP 30Duty cycle: 10% (S3) for periodic operation and max. Load (2 min. ON / 18 min. OFF)
- Installation position: preferably pushing
- Synchronous operation: up to max. 12 columns possible
- Ambient temperature: + 10 ° to + 40 ° C
- Control: Synchronous control for up to 3 columns „Plug & Play” (up to 12 on request)
- Handset: Handset with display and memory function
- Scope of delivery: Electric lifts with fixing material, synchronous control and handset
- Accessories: Motor extension cable, part no.: 32.0042/0 Handset extension cable, part no.: 27.0110/0

HEIGHT SETTING FOR WORKTABLE

Part no.

32.0335/0



TECHN. DATA / ITEMS SUPPLIED

- from profile 45x45 F and 45x90 F, anodized E6/EV1
- Installation dimension: 553mm
- Adjustable range: 385mm

- ESD-compatible **part no. 32.0335/6**
- 1x height adjustment fully assembled.
- Weight = 3.192 kg/piece

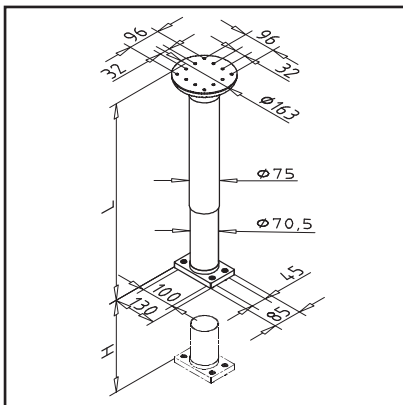
APPLICATIONS

- Simple height-adjustment through double profiles
- Adjustable through release of the screwed fastening

PNEUMATIC LIFT SYSTEM PLS - 415

Part no.

32.0360/0



TECHN. DATA / ITEMS SUPPLIED

- With adapter plate at the bottom and fastening material
- Diameter 75mm
- Lifting capacity: 120 N
- Stroke (H): 415mm
- Installation dimension (L) retracted: 640mm
- Optionally also **part no. 32.0361/0**
Stroke (H): 225 mm
Installation dimension (L): 450 mm
- Weight = 5.383 kg/piece

APPLICATIONS

- For raising and lowering the work tables and other equipment
- Activation / release: Bowden cable L=280mm

ASSEMBLY

- Install to the profile groove with supplied hardware

TABLETOPS



For the different assembly tasks, a selection of Tabletops is available.
 The maximum plate sizes can also be found on the following pages in the item description.
 Within the listed dimensions we can realize every special dimension.
 The Tabletops are fixed to the base frame with mounting bracket 25 GD-Z and chipboard screws.

	Scratch	Abrasion	Stroke	Warmth	Humidity	Oil	Chemicals	ESD, antistatic	Light reflection	Layer thickness
Melamine	●	●	●	●	●	●	●	○	●	0,2
Laminate	●	●	●	●	●	●	●	○	●	0,8
HPL	●	●	●	●	●	●	●	○	●	3
Multiplex	●	●	●	●	●	●	●	○	●	-
Melamine conductive	●	●	●	●	●	●	●	●	●	0,2
PE 500 R	●	●	●	●	●	●	●	○	○	-
HPL Compact tabletop	●	●	●	●	●	●	●	○	●	-
HPL ESD Compact tabletop	●	●	●	●	●	●	●	●	●	-

● Very suitable

● conditionally suitable

● little suitable

○ not suitable

TABLETOPS

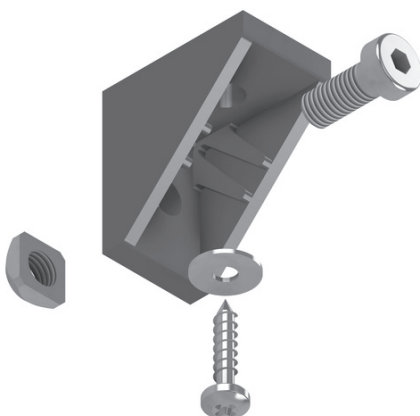
part no.	Article	Color	Thickness (mm)	Width W (mm)	Depth D (mm)
32.0410/0	Tabletop melamine	Light grey RAL 7035	22mm	B= (≤2760mm)	T= (≤2060mm)
32.4110/0	Tabletop melamine	Light grey RAL 7035	22mm	1000mm	700mm
32.4120/0	Tabletop melamine	Light grey RAL 7035	22mm	1200mm	700mm
32.4140/0	Tabletop melamine	Light grey RAL 7035	22mm	1500mm	700mm
32.4160/0	Tabletop melamine	Light grey RAL 7035	22mm	2000mm	700mm
32.4200/0	Tabletop hard laminate	Light grey RAL 7035	20mm	B= (≤2750mm)	T= (≤1250mm)
32.4210/0	Tabletop hard laminate	Light grey RAL 7035	20mm	1000mm	700mm
32.4220/0	Tabletop hard laminate	Light grey RAL 7035	20mm	1200mm	700mm
32.4240/0	Tabletop hard laminate	Light grey RAL 7035	20mm	1500mm	700mm
32.4260/0	Tabletop hard laminate	Light grey RAL 7035	20mm	2000mm	700mm
32.4700/0	Tabletop hard laminate	Light grey RAL 7035	40mm	B= (≤2750mm)	T= (≤1250mm)
32.4710/0	Tabletop hard laminate	Light grey RAL 7035	40mm	1000mm	700mm
32.4720/0	Tabletop hard laminate	Light grey RAL 7035	40mm	1200mm	700mm
32.4740/0	Tabletop hard laminate	Light grey RAL 7035	40mm	1500mm	700mm
32.4760/0	Tabletop hard laminate	Light grey RAL 7035	40mm	2000mm	700mm
32.0440/0	Tabletop multiplex beech	Polished, natural	20mm	B = (≤2460mm)	T = (≤1460mm)
32.4410/0	Tabletop multiplex beech	Polished, natural	20mm	1000mm	700mm
32.4420/0	Tabletop multiplex beech	Polished, natural	20mm	1200mm	700mm
32.4440/0	Tabletop multiplex beech	Polished, natural	20mm	1500mm	700mm
32.4460/0	Tabletop multiplex beech	Polished, natural	20mm	2000mm	700mm
32.0490/0	Tabletop multiplex beech	Polished, natural	40mm	B = (≤2460mm)	T = (≤1460mm)
32.4910/0	Tabletop multiplex beech	Polished, natural	40mm	1000mm	700mm
32.4920/0	Tabletop multiplex beech	Polished, natural	40mm	1200mm	700mm
32.4940/0	Tabletop multiplex beech	Polished, natural	40mm	1500mm	700mm
32.4960/0	Tabletop multiplex beech	Polished, natural	40mm	2000mm	700mm
Clearcoating or oiled on request					

TABLETOPS

part no.	Article	Color	Thickness (mm)	Width W (mm)	Depth D (mm)
32.0460/0	ESD-Tabletop melamine	Light grey RAL 7035	25mm	B = (≤ 2760 mm)	T = (≤ 2060 mm)
32.4610/0	ESD-Tabletop melamine	Light grey RAL 7035	25mm	1000mm	700mm
32.4620/0	ESD-Tabletop melamine	Light grey RAL 7035	25mm	1200mm	700mm
32.4640/0	ESD-Tabletop melamine	Light grey RAL 7035	25mm	1500mm	700mm
32.4660/0	ESD-Tabletop melamine	Light grey RAL 7035	25mm	2000mm	700mm
32.6100/0	Tabletop PE 500 R	Confetti	25mm	B= (≤ 3000 mm)	32.6100/0
32.6110/0	Tabletop PE 500 R	Confetti	25mm	1000mm	700mm
32.6120/0	Tabletop PE 500 R	Confetti	25mm	1200mm	700mm
32.6140/0	Tabletop PE 500 R	Confetti	25mm	1500mm	700mm
32.6160/0	Tabletop PE 500 R	Confetti	25mm	2000mm	700mm
The colour spread may vary in shape, size and colour depending on the delivery.					
32.6000/0	Tabletop PE 500 R	black	25mm	B= (≤ 3000 mm)	T= (≤ 1250 mm)
32.6010/0	Tabletop PE 500 R	black	25mm	1000mm	700mm
32.6020/0	Tabletop PE 500 R	black	25mm	1200mm	700mm
32.6040/0	Tabletop PE 500 R	black	25mm	1500mm	700mm
32.6060/0	Tabletop PE 500 R	black	25mm	2000mm	700mm
plate made of aluminium, PVC, stainless steel or requested material					
32.6204/0	HPL Compact tabletop	Light grey	20mm	B= (≤ 2520 mm)	T= (≤ 1280 mm)
32.6208/0	HPL ESD Compact tabletop	Light grey	20mm	B= (≤ 2520 mm)	T= (≤ 1280 mm)

Mounting angle for tabletops

Part no.
32.0401/0



Technical Data:

- Mounting angle 25; Chipboard screw with washer; Cylinder head screw with sliding nut
- For Tabletops from 22 mm
- Für EPA/ESD Anwendungen Part no. 32.0401/6
- Weight 0,058 kg

Application:

- Fixing Tabletops from 22 mm on the profile frame

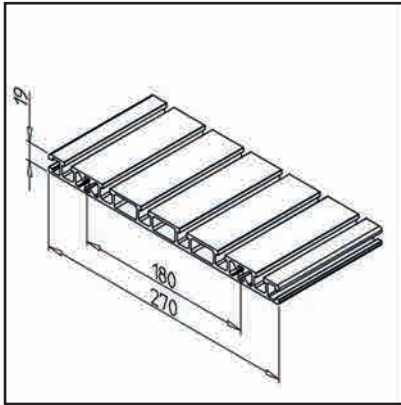
Assembly:

- Fasten with fastening material from the scope of delivery to the profile groove
- For retrofitting to a vertical groove, preferably square nut M8 with groove fixing, Part no. 21.1351/2 use
- Screw chipboard screw with washer into Tabletop, if necessary pre-drill

PROFILE 270 X 19

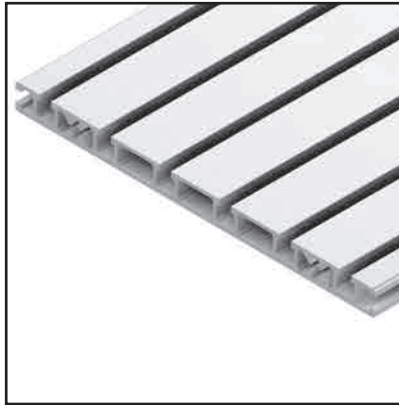
Part no.

20.1077/0



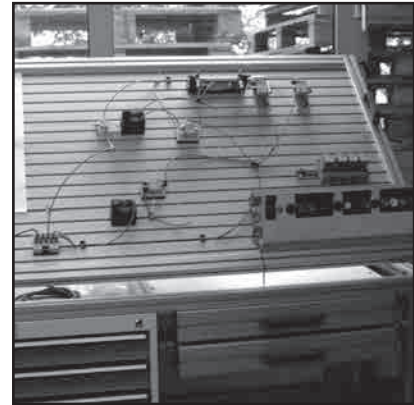
TECHN. DATA / ITEMS SUPPLIED

- Aluminium, extruded, anodized E6/EV1
- $I_x = 10.348 \text{ cm}^4$
- $I_y = 1352.197 \text{ cm}^4$
- $w_x = 10.167 \text{ cm}^3$
- $w_y = 100.162 \text{ cm}^3$
- Weight = 5.612 kg/m
- Bar length = 6 m
- Packing unit = 18 m



APPLICATIONS

- Mounting plates
- Workstations
- Training set-ups for training and further education with universal clamping base **part no. P2.0060/0**
- Demonstration units



ASSEMBLY

- MiniTec power-lock fastener
- Screw connection
- Bolt connector

DRAWER BASE CABINETS

Drawer base cabinets ensure perfect order at the workplace. There are the right ones for every need. Usable heights, subdivisions or deposits. All base cabinets are available for right or left extension.

Casing:

- Sheet steel construction
- Load-bearing capacity: to 200 kg
- Standard with central lock, single pullout lock and cylinder lock with 2 keys
- Easy construction

Drawers:

- The individual drawers can be loaded up to 35 kg, 80% extendable, perforated bottom
- Standard with large handle with label
- Standard paint:
 - Casing light grey RAL 7035
 - Drawer / Door brilliant blue RAL 5007
- Standard painting in ESD version:
 - Completely light grey RAL 7035

■ **Paintings Optional*:**

- grey green, HF 0001 (similar. RAL 6000)
- resedagreen, RAL 6011
- light grey, RAL 7035
- light blue, RAL 5012
- ruby red, RAL 3003
- water blue, RAL 5021
- anthracite, RAL 7016
- red orange, RAL 2001
- brilliant blue, RAL 5007
- alu-silver, (similar) RAL 9006

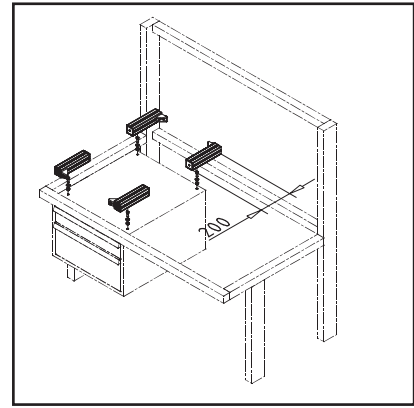
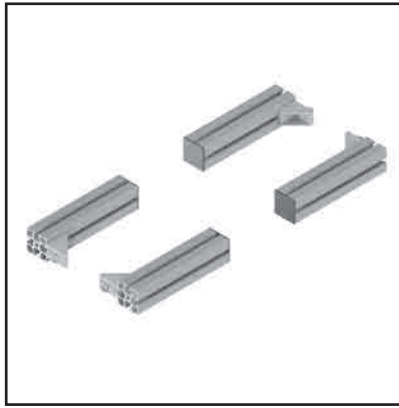
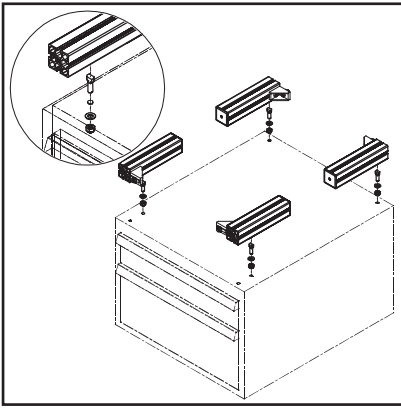
*at the same price as standard



FASTENING SET FLOOR CABINET

Part no.

32.0806/0



TECHN. DATA / ITEMS SUPPLIED

- Aluminium, anodized E6/EV1
- Composed of:
 - 4x Profile 45x45 - L=200 mm
 - 4x Mounting bracket 25 S
 - 4x Hammer head screw M8 with nut
- Suitable for ESD-designs
- Weight = 1.951 kg/piece

APPLICATIONS

- For the attachment of floor cabinets on table frame

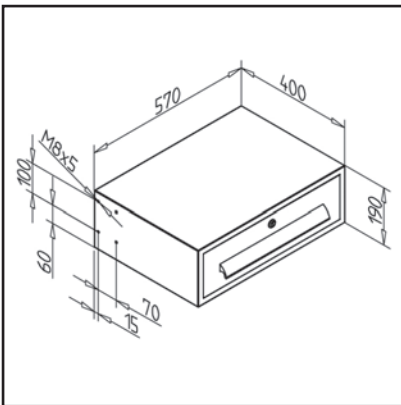
ASSEMBLY

- With fastening material included
- Screw fastening set on base frame
- Remove drawers from counter cabinet
- Place the hammer screws on the cabinet
- Swing in the cabinet with the hammer screws in the profile groove, tighten the nuts

DRAWER BASE CABINET 200

Part no.

32.0809/0



TECHN. DATA / ITEMS SUPPLIED

- Steel, lacquered
- Without fastening kit
- Color:
 - Corpus light grey RAL 7035
 - Drawer brilliant blue RAL 5007

- Cylinder lock with 2 keys
- Max. load capacity: 35kg
- Large handle bar with label adapter
- Can be pulled out up to 80 %
- Weight = 10.410 kg/piece

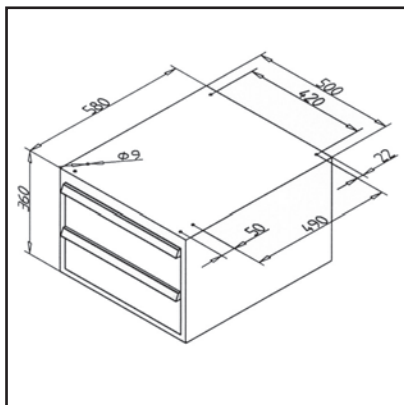
ASSEMBLY

- Use side threads or drill your own holes
- Alternatively with mounting set for under counter cabinet **part no. 32.0806/0** Insert 4 x 8.5 holes at the appropriate location

DRAWER BASE CABINET 150/150

Part no.

32.0810/0

**TECHN. DATA / ITEMS SUPPLIED**

- Steel, lacquered
- With fastening material steel, zinc plated
- Color:
 - Corpus light grey RAL 7035
 - Drawer brilliant blue RAL 5007
- Cylinder lock with 2 keys, center locking for all drawers
- Individual drawer locking
- 2 drawers, H = 150 mm, with perforated bottom
- Large handle bar with label adapter
- Can be pulled out up to 80 %
- Drawer inside W = 425 mm T = 550 mm, effective height = H-10 mm
- Max. load capacity per compartment 35kg
- Max. load capacity per cabinet: 200 kg
- Weight = 22.570 kg/piece

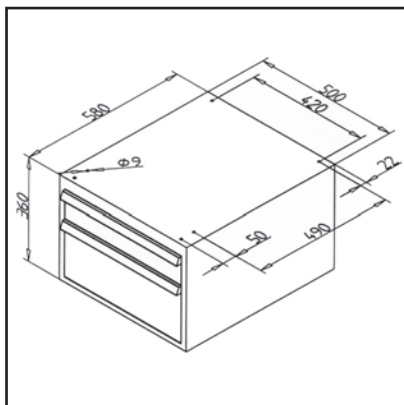
ASSEMBLY

- Use fastening kit to fasten to base frame
- Alternatively attach with mounting set **part no. 32.0806/0** to strut profiles of the base frame
- Also in ESD version **part no. 32.0810/6**
- Optionally available in different colors **part no. 32.0810/2**

DRAWER BASE CABINET 100/200

Part no.

32.0811/0

**TECHN. DATA / ITEMS SUPPLIED**

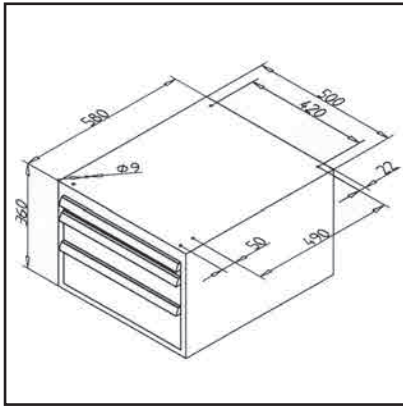
- Steel, lacquered
- With fastening material steel, zinc plated
- Color:
 - Corpus light grey RAL 7035
 - Drawer brilliant blue RAL 5007
- Cylinder lock with 2 keys, center locking for all drawers
- Individual drawer locking
- 1 drawer H = 100 mm, 1 drawer H = 200 mm, with perforated bottom
- Large handle bar with label adapter
- Can be pulled out up to 80 %
- Drawer inside W = 425 mm T = 550 mm, effective height = H-10 mm
- Max. load capacity per compartment 35kg
- Max. load capacity per cabinet: 200 kg
- Weight = 22.570 kg/piece

ASSEMBLY

- Use fastening kit to fasten to base frame
- Alternatively attach with mounting set **part no. 32.0806/0** to strut profiles of the base frame
- Also available in ESD version **part no. 32.0811/6**
- Optionally available in different colors **part no. 32.0811/2**

DRAWER BASE CABINET 50/100/150

Part no. 32.0812/0



TECHN. DATA / ITEMS SUPPLIED

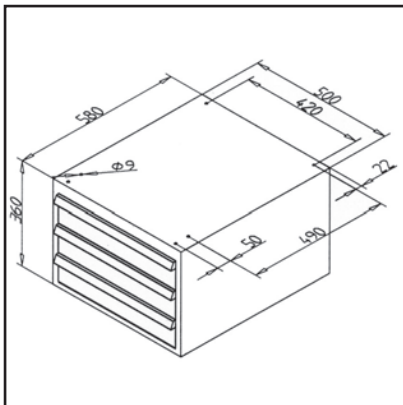
- Steel, lacquered
- With fastening material steel, zinc plated
- Color:
 - Corpus light grey RAL 7035
 - Drawer brilliant blue RAL 5007
- Cylinder lock with 2 keys, center locking for all drawers
- Individual drawer locking
- 1 drawer H = 50 mm, 1 drawer H = 100 mm
- mm, 1 drawer H = 150 mm, with perforated bottom
- Large handle bar with label adapter
- Can be pulled out up to 80 %
- Drawer inside W = 425 mm T = 550 mm, effective height = H-10 mm
- Max. load capacity per compartment 35kg
- Max. load capacity per cabinet: 200 kg
- Weight = 33.000 kg/piece

ASSEMBLY

- Use fastening kit to fasten to base frame
- Alternatively attach with mounting set **part no. 32.0806/0** to strut profiles of the base frame
- Also in ESD version **part no. 32.0812/6**
- Optionally available in different colors **part no. 32.0812/2**

DRAWER CABINET 100/100/100

Part no. 32.0813/0



TECHN. DATA / ITEMS SUPPLIED

- Steel, lacquered
- With fastening material steel, zinc plated
- Color:
 - Corpus light grey RAL 7035
 - Drawer brilliant blue RAL 5007
- Cylinder lock with 2 keys, center locking for all drawers
- Individual drawer locking
- 3 drawers H = 100 mm, with perforated bottom
- Large handle bar with label adapter
- Can be pulled out up to 80 %
- Drawer inside W = 425 mm T = 550 mm, effective height = H-10 mm
- Max. load capacity per compartment 35kg
- Max. load capacity per cabinet: 200 kg
- Weight = 33.000 kg/piece

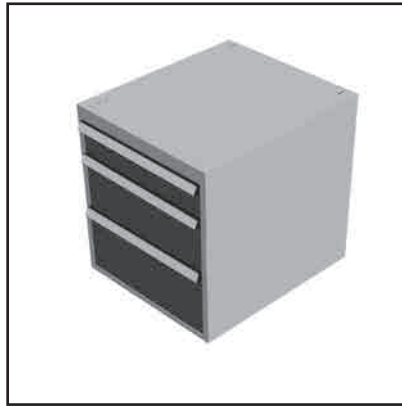
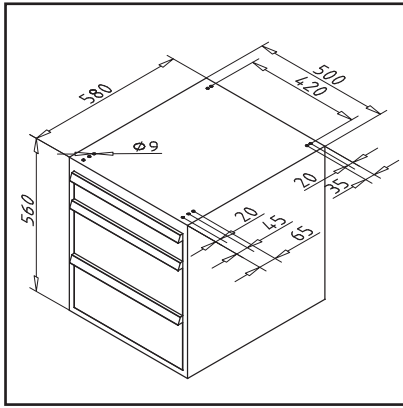
ASSEMBLY

- Use fastening kit to fasten to base frame
- Alternatively attach with mounting set **part no. 32.0806/0** to strut profiles of the base frame
- Also in ESD version **part no. 32.0813/6**
- Optionally available in different colors **part no. 32.0813/2**

DRAWER BASE CABINET 100/200/200

Part no.

32.0819/0

**TECHN. DATA / ITEMS SUPPLIED**

- Steel, lacquered
- With fastening material steel, zinc plated
- Color:
 - Corpus light grey RAL 7035
 - Drawer brilliant blue RAL 5007
- Cylinder lock with 2 keys, center locking for all drawers
- Individual drawer locking
- 1 drawer H = 100 mm, 2 drawers H = 200 mm, with perforated bottom
- Large handle bar with label adapter
- Can be pulled out up to 80 %
- Drawer inside W = 425 mm T = 550 mm, effective height = H-10 mm
- Max. load capacity per compartment 35kg
- Max. load capacity per cabinet: 200 kg
- Weight = 34.220 kg/piece

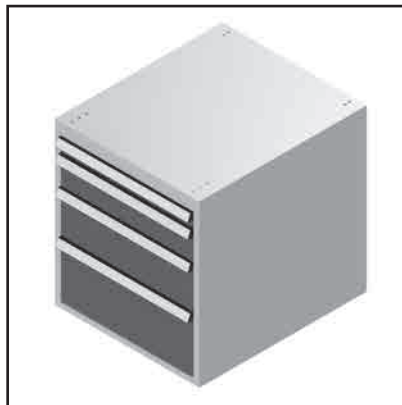
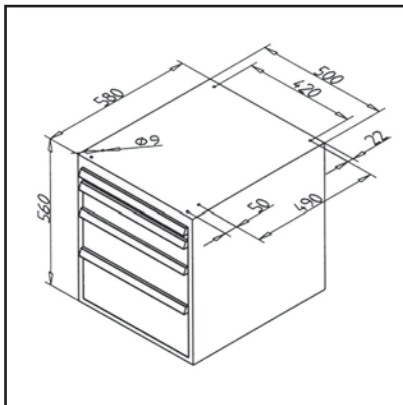
ASSEMBLY

- Use fastening kit to fasten to base frame
- Alternatively attach with mounting set **part no. 32.0806/0** to strut profiles of the base frame
- Also in ESD version **part no. 32.0819/6**
- Optionally available in different colors **part no. 32.0819/2**

DRAWER BASE CABINET 50/100/150/200

Part no.

32.0814/0

**TECHN. DATA / ITEMS SUPPLIED**

- Steel, lacquered
- With fastening material steel, zinc plated
- Color:
 - Corpus light grey RAL 7035
 - Drawer brilliant blue RAL 5007
- Cylinder lock with 2 keys, center locking for all drawers
- Individual drawer locking
- 1 drawer H = 50 mm, 1 drawer H = 100 mm, 1 drawer H = 150 mm, 1 drawer H = 200 mm, with perforated bottom
- Large handle bar with label adapter
- Can be pulled out up to 80 %
- Drawer inside W = 425 mm T = 550 mm, effective height = H-10 mm
- Max. load capacity per compartment 35kg
- Max. load capacity per cabinet: 200 kg
- Weight = 35.330 kg/piece

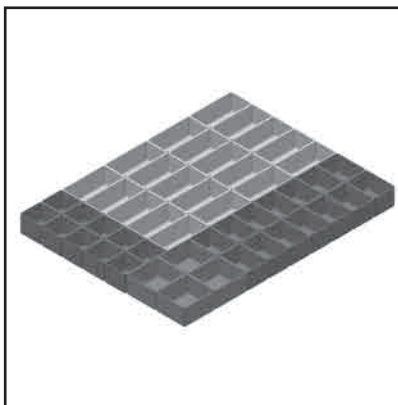
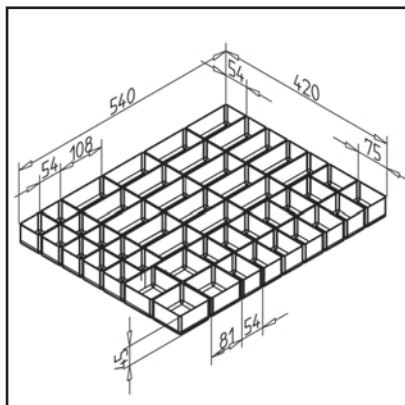
ASSEMBLY

- Use fastening kit to fasten to base frame
- Alternatively attach with mounting set **part no. 32.0806/0** to strut profiles of the base frame
- Also in ESD version **part no. 32.0814/6**
- Optionally available in different colors **part no. 32.0814/2**

DRAWER CONTAINER SET 1

Part no.

32.0807/0



TECHN. DATA / ITEMS SUPPLIED

- B x T 425 x 550 mm
- For panel height 100-300 mm
- 20 x Container yellow 54 x 108 x 45 mm
- 14 x Container red 54 x 75 x 45 mm
- 10 x Container red 54 x 54 x 45 mm

- 4 x Container green 75 x 81 x 45 mm
- Other arrangements on request
- High impact polystyrene
- Weight = 1.060 kg/piece

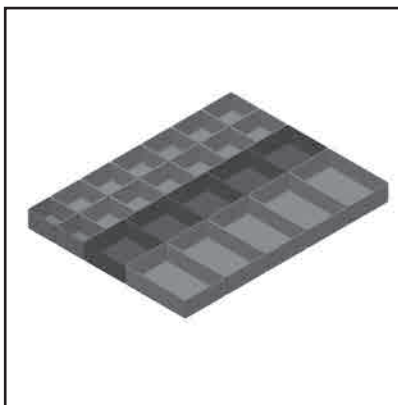
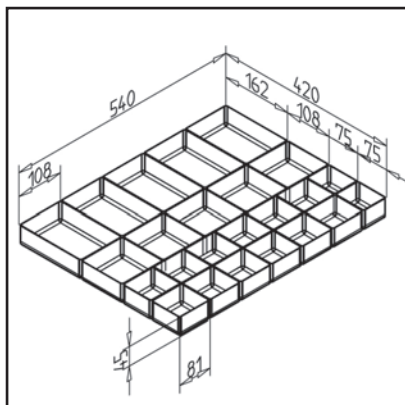
ASSEMBLY

- Easy to remove and reinstall

DRAWER CONTAINER SET 2

Part no.

32.0808/0



TECHN. DATA / ITEMS SUPPLIED

- B x T 425 x 550 mm
- For panel height 100-300 mm
- 12 x Container green 75 x 81 x 45 mm
- 5 x case 108 x 108 x 45 mm
- 5 x Container green 108 x 162 x 45 mm

- 2 x Container red 54 x 75 x 45 mm
- Other arrangements on request
- High impact polystyrene
- Weight = 0.965 kg/piece

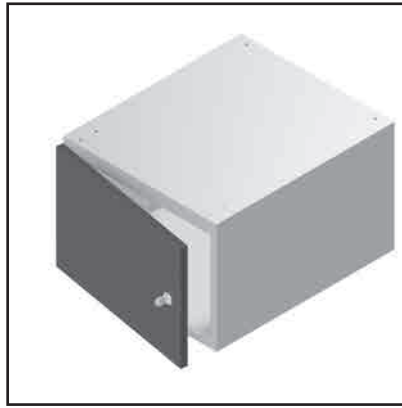
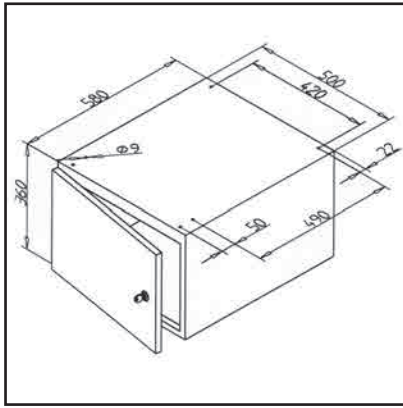
ASSEMBLY

- Easy to remove and reinstall

DOORS BASE CABINET SMALL

Part no.

--...../-

**TECHN. DATA / ITEMS SUPPLIED**

- Steel, lacquered
 - With fastening material steel, zinc plated
 - Color:
 - body light grey RAL 7035
 - door brilliant blue RAL 5007
 - Cylinder lock with 2 keys, 1 shelf
 - Max.load capacity per cabinet: 200 kg
- Left version (as shown) **part no. 32.0815/0**
 - Right version **part no. 32.0815/1**
 - Other colors:
 - left version under **part no. 32.0815/2**
 - Right version at **part no. 32.0815/3**
 - Weight = 34.000 kg/piece

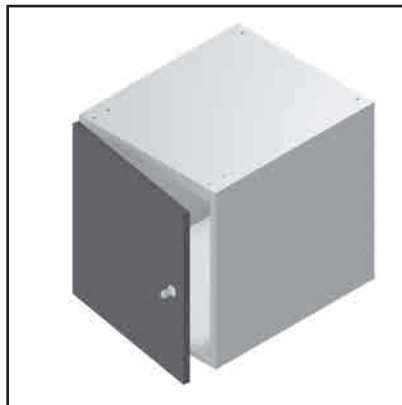
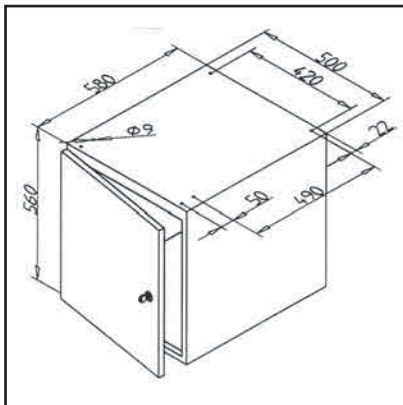
ASSEMBLY

- Use fastening kit to fasten to base frame
- Alternatively attach with mounting set **part no. 32.0806/0** to strut profiles of the base frame

DOORS BASE CABINET LARGE

Part no.

--...../-

**TECHN. DATA / ITEMS SUPPLIED**

- Steel, lacquered
 - With fastening material steel, zinc plated
 - Color:
 - body light grey RAL 7035
 - door brilliant blue RAL 5007
 - Cylinder lock with 2 keys, 1 shelf
 - Max.load capacity per cabinet: 200 kg
- Left version (as shown) **part no. 32.0816/0**
 - Right version **part no. 32.0816/1**
 - Other colors:
 - left version under **part no. 32.0816/2**
 - Right-hand version at **part no. 32.0816/3**
 - Weight = 43.500 kg/piece

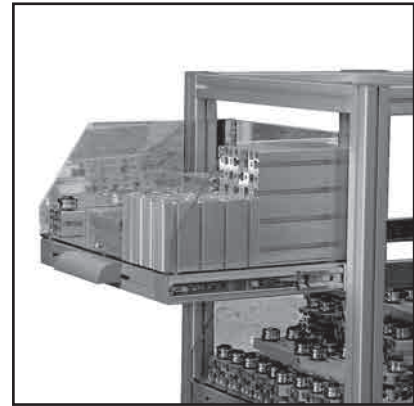
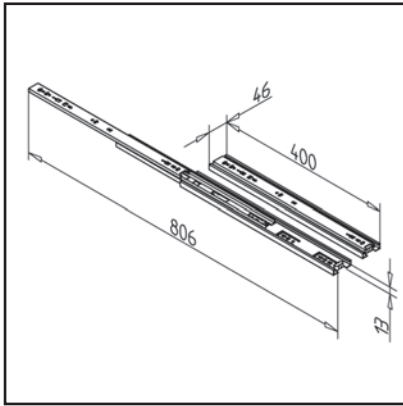
ASSEMBLY

- Use fastening kit to fasten to base frame
- Alternatively attach with mounting set **part no. 32.0806/0** to strut profiles of the base frame

TELESCOPIC GUIDE FULL EXTENSION 400

Part no.

32.0801/0



TECHN. DATA / ITEMS SUPPLIED

- Steel, galvanized
- with a self-closing feature
- Max. load capacity per compartment 35kg
- Mounting length 400 mm, pull-out length

406 mm

- **Other lengths on request**
- Items supplied: 2 pieces
- Weight = 1.225 kg/pair

ASSEMBLY

- Fasten to the side of drawers and profile

SYSTEM WORKPLACE LUMINAIRE LED-S | LED-M | LED-L

LED-S: Part no. **32.1160/0**LED-M: Part no. **32.1161/0**LED-L: Part no. **32.1162/0****PRODUCT DESCRIPTION**

- Compact and robust luminaire housing made of self-supporting aluminium profile, natural anodised
- Integrated mounting groove 30 (8 mm)
- Mains connection via 3 m supply cable with Schuko plug
- Integrated ON / OFF switch
- Very good glare protection thanks to micro prism screen plus additional diffuser foil. By turning the film, the reflected glare on high-gloss surfaces can be significantly reduced. The light distribution is softer, but the illuminance is reduced by about 14%.
- Profile end caps made of sheet steel grey, RAL 7012
- Absolutely flicker-free due to DC operation of the LEDs, extremely low-loss integrated electronic LED converter
- Complete with LED light-engine, neutral white (840) of the latest generation
- High luminous efficacy thanks to high-gloss anodised reflectors

PRODUCT ADVANTAGES

- Durable, virtually maintenance-free luminaire: LED life up to 50,000h
- High energy efficiency, approx. 25% more light with half energy consumption
- Smooth, easy to clean, closed construction
- Ready for mains voltage, no separate power supply

Technical Data LED**LED-S**

- Dimensions: 302 x 61 x 80 mm
- Protection: IP 20
- Protection class: I
- Supply voltage: 220-240V, 0/50...60 Hz
- Rated input current at 230 V: 0,045 A
- Lamp: 1 x LED light-engine à 8 W
- Total luminous flux (typical): 1400 lm, or 1000 LUX at 750 mm distance
- Light colour: 5000 K
- colour rendering (CRI): 1B (Ra >80)

LED-M

- Dimensions: 587 x 61 x 80 mm
- Protection: IP 20
- Protection class: I
- Supply voltage: 220-240 V, 0/50...60 Hz
- Rated input current at 230 V: 0,08 A
- Lamp: 1 x LED light-engine à 13,6 W
- Total luminous flux (typical): 2500 lm, or 1000 LUX at 1000 mmdistance
- light colour: 5000 K
- colour rendering (CRI): 1B (Ra >80)

LED-L

- Dimensions: 872 x 61 x 80 mm
- Protection: IP 20
- Protection class: I
- Supply voltage: 220-240 V, 0/50...60 Hz
- Rated input current at 230 V: 0,1 A
- Lamp: 2 x LED light-engine à 20,4 W gesamt
- Total luminous flux (typical): 3800 lm, or 1350 LUX at 1000 mm distance
- light colour: 5000 K
- colour rendering (CRI): 1B (Ra >80)

STANDARDS AND GUIDELINES

The product complies with the European standards for electrical luminaires, DIN EN 60598 (VDE 0711) and the European standards for electromagnetic compatibility EN 55015, EN 61547, EN 61000-3-2 and thus the EU low-voltage and EU EMC Directive.

INSTALLATION AND OPERATING INSTRUCTIONS

LED-S / M: max.28 lights on a circuit breaker C13.

LED-L: max.22 lights on a circuit breaker C13

ITEMS SUPPLIED

- Luminaire with 3m supply cable and Schuko plug
- Without fastening kit



System workplace luminaire available in different lengths

SYSTEM WORKPLACE LUMINAIRE LED-M / LED-L - DIMMABLE

Dimmable via lamp switch
 LED-M: Part no. **32.1163/0**
 LED-L: Part no. **32.1165/0**

PRODUCT ADVANTAGES

- Durable, virtually maintenance-free luminaire:
- LED-Lifespan up to 50.000 h
- Smooth, easy to clean, closed construction
- Ready for mains voltage, no separate power supply
- SwitchDIM-Function: infinitely dimmable by integrated or external button, the dimming process adapted to the eye sensitivity
- Memory function: Lamp starts after switching back on in last dimming position

SYSTEM WORKPLACE LUMINAIRE LED-M DIMMABLE

- Dimensions: 587 x 61 x 80 mm
- Protection class: IP 20
- Protection class: I
- Supply voltage: 220-240 V, 0/50...60 Hz
- Nominal input current at 230 V: approx.. 0,1 A
- Bulb: 1 x LED light-engine à 16 W
- Total luminous flux (typical): 2800 lm, resp. 1100 LUX at 1000 mm distance
- Light color: neutral white 5000 K (840)
- Color rendering (CRI): 1B (Ra >80)
- Dimming: 1 - 100%

Dimmable via external push-button LED-M:
 Part no. **32.1164/0**
 LED-L: Part no. **32.1166/0**

INSTALLATION AND OPERATING INSTRUCTIONS

- Operate max. 20 lights on one circuit breaker C13 (max 10 pcs / B13).

ITEMS SUPPLIED

- Luminaire with 3m supply cable and Schuko plug with internal
- Luminaire with 4m supply cable without plug with external
- Without fastening material

SYSTEM WORKPLACE LUMINAIRE LED-L DIMMABLE

- Dimensions: 872 x 61 x 80 mm
- Protection class: IP 20
- Protection class: I
- Supply voltage: 220-240 V, 0/50...60 Hz
- Nominal input current at 230 V: approx. 0,13 A
- Bulb: 2 x LED light-engine à 24 W
- Total luminous flux (typical): 4250 lm, resp. 1500 LUX at 1000 mm distance
- Light color: neutral white 5000 K (840)
- Color rendering: (CRI): 1B (Ra >80)
- Dimming: 1 - 100%

FASTENING OPTIONS



Fastening kit
 system workplace luminaire PA
 Part no. 32.1130/0



Fastening kit system work-
 place luminaire angle adjust-
 able
 Part no. 32.1131/0



Fastening kit
 system workplace luminaire steel
 part no. 32.1132/0

PROFILE LUMINAIRE LUCIDUS

Profile luminaire S Part no. **32.1169/0**

Profile luminaire M Part no. **32.1170/0**

Profile luminaire L Part no. **32.1171/0**



– Luminaire embedded in the profile

Product description

- The profile luminaire Lucidus optimally illuminates the work area. At the workbench, at machines, at home, in the office and in many other places.
- Profile light dimensions suitable for MiniTec profile 45 x 45
- Can be integrated into MiniTec frame constructions
- Load capacity according to MiniTec profile
- Standard lengths 446 mm, 646 mm and 1016 mm, also special lengths available
- High luminosity
- Built-in power supply unit, electrical connection on site via terminals
- The luminaire can also be dimmed via a separate 0-10V control line
- IP68 waterproof design (outdoor) possible
- Flicker-free light without UV / IR component
- Colour rendering index RA (CRI): 83
- Suitable for manual workplaces, exhibition stands, machines, milling machines, lathes, designer lamps, advertising lighting, trade fair technology

PRODUCT ADVANTAGES

- Can be used directly as a profile
- Fastening possible with all fastening elements from the MiniTec modular profile system
- Durable, virtually maintenance-free luminaire: LED service life up to 50000 hours
- High energy efficiency
- Slightly dimmable
- Special lengths available

Specifications

EN55015:2006, EN61000 and EN61547:2009

Items supplied

- Luminaires in respective length, with attached power supply.
- The luminaires can also be supplied dimmable on request

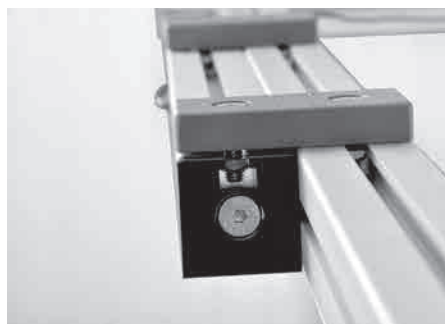
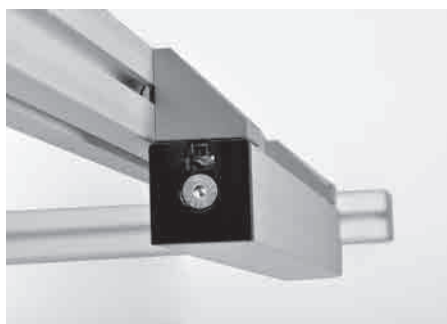
PROFILE LUMINAIRE LUCIDUS

Profile plate for profile luminaire,
Fastening possible with all fastening elements from the MiniTec profile construction kit.

FASTENING OPTIONS



Lateral bracket
height adjustable/rotatable



Upper bracket
adjustable/rotatable

TECHNICAL DATA

TYPE	Profilleuchte S L=446mm	Profilleuchte M L=646mm	Profilleuchte L L=1016mm
Part no.	32.1169/0	32.1170/0	32.1171/0
Total length in mm	446	646	1016
Illuminated length in mm	430	630	1000
Illuminated width in mm	40	40	40
Luminaire profile width in mm	45	45	45
Luminaire profile height in mm	45	45	45
Mounting groove (top side) in mm	8	8	8
Lamp	SMD LED	SMD LED	SMD LED
Supply voltage	240 V	240 V	240 V
Power in W	30	40	60
Illuminance in lx (at 1000 mm distance)	3200	4600	7300
colour temperature SMD LED in K	approx. 6000 (daylight white)	approx. 6000 (daylight white)	approx. 6000 (daylight white)
Expected life in hours	> 50000	> 50000	> 50000

ENERGY SUPPLY



The MiniTec power supply duct for electrics and compressed air for the individual arrangement of the installation elements of the power supply: Exactly equipped according to your needs and completely wired cable ducts simplify the installation of your workplace considerably. Our experienced specialists take over the assembly for you. The cable channel with 4 m supply line is equipped for immediate connection with Schuko or CEE plug. The installation by certified electricians in your house will be eliminated.

With the cable channel we have equipped and installed, you will receive a meaningful test certificate. The cable duct and the cover are made of aluminum, natural anodised. Only high-quality

branded products are used as built-in elements. The following overview simplifies the definition of the equipment you require. Subsequent installation of other elements is possible at any time by an authorized electrician.

CABLE DUCT 130 AL**Part no. 32.0715/0**

Manufacturing length 6m, power supply of sockets, switches, telecommunication connections, circuit breakers etc.

COVER FOR CABLE DUCT 130**Part no. 32.0716/0**

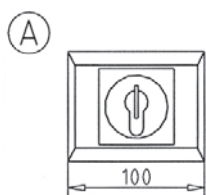
Manufacturing length 6m, Press cover on cable duct

END CAP FOR CABLE DUCT 130**Part no. 32.0717/0**

Plastic molding, painted aluminum color

ASSEMBLY ENERGY SUPPLY DUCT

KEY SWITCH Part no. 32.0720/0



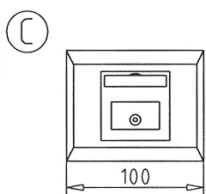
- 16 A, 2-pole

SWITCH Part no. 32.0725/0



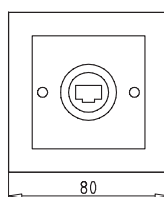
- 16 A, 1 -pin

OVERVOLTAGE PROTECTION Part no. 32.0721/0



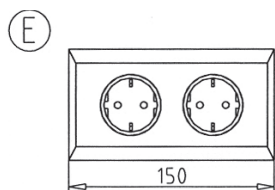
- UN = 230V AC

DATA PORT CAT6 Part no. 32.0729/0



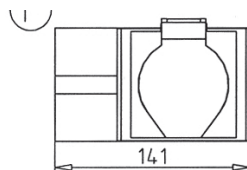
- RJ 45. link E, up to 250 MHz
- Complete junction box with output socket and frame for installation in cable duct

CHANNEL SOCKET Part no. 32.0723/0



- With earthing contact according to DIN

SOCKET CEE 16A Part no. 32.0724/0



- for plug DIN, 5-pin, 16 A
- Machine installation unit with 3 PLE
- Complete with mounting plate
- Can be equipped with automatic circuit breaker C10 with 1 PLE
- Automatic circuit breaker C 13 with 1 PLE
- Residual current device 1-pole 16A / 30mA with 2 PLE

INSTALLATION DISTRIBUTION Part no. 32.0730/0



PNEUMATICS SIMPLE Part no. 32.0740/0



PNEUMATICS DOUBLE Part no. 32.0741/0

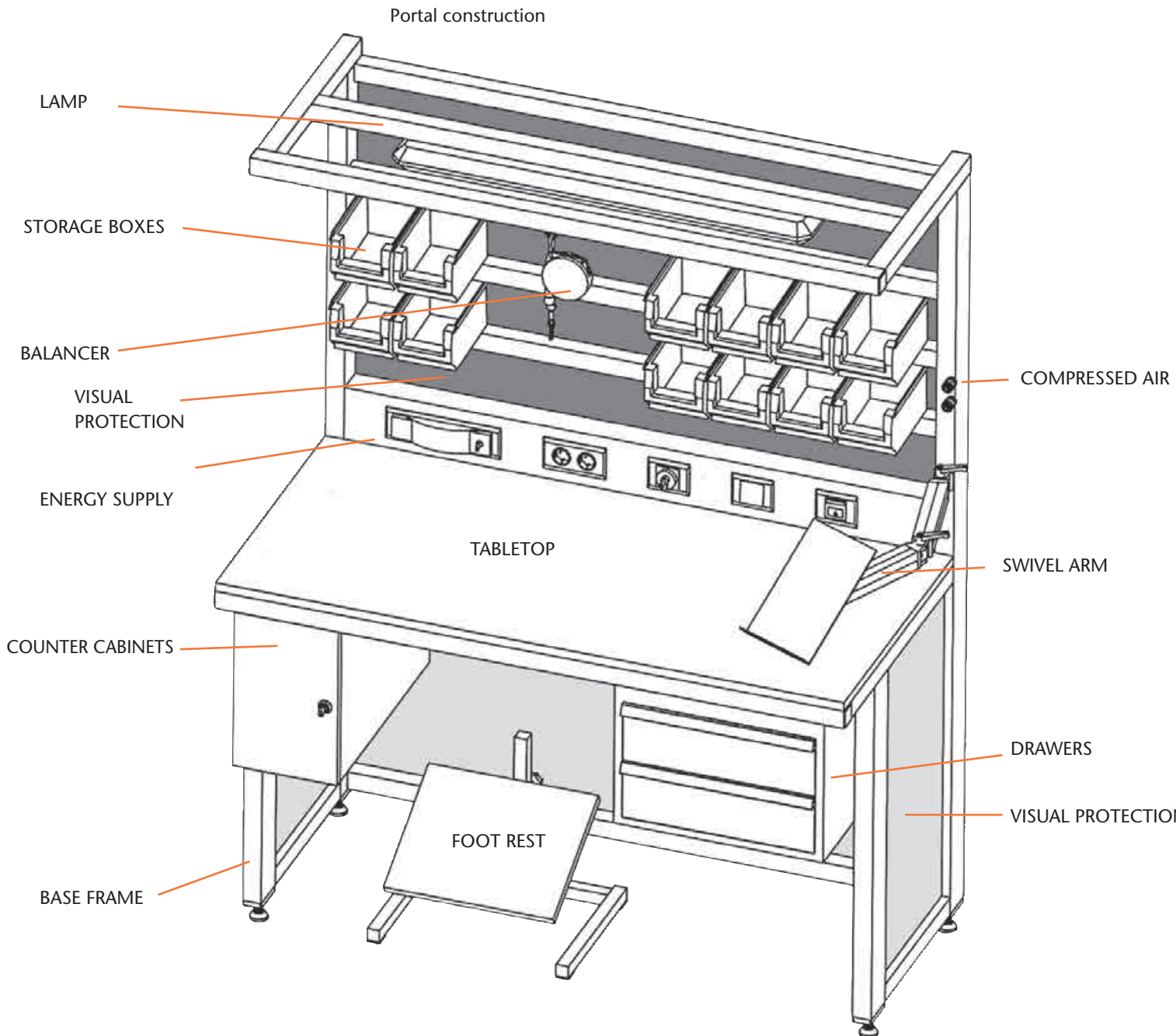


EQUIPMENT

In the day-to-day life it is the small things that matter. Practical accessories are the necessary supplement to the perfect design of an optimal workplace. Everything must have its place, instructions or information must be clean and visible. Additional

devices that avoid stress and provide an overview in the workplace help to noticeably increase efficiency while reducing the workload of employees.

SYSTEM WORKSTATION COMPONENTS


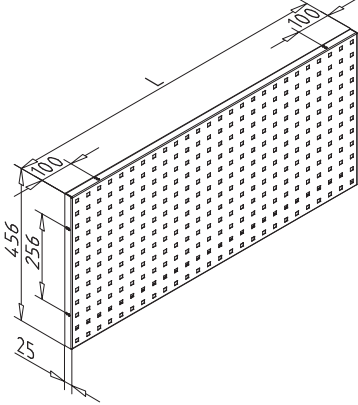


EQUIPMENT

■ For overview and order in the workplace

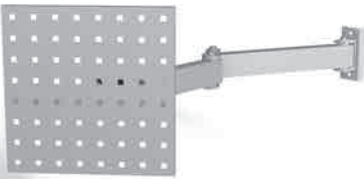
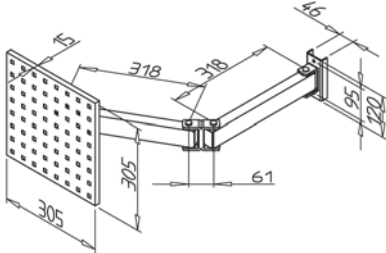
With the MiniTec assortment of tool holder plates, tool carriers and various tool holders, you can create an overview and order at your workplace. With this program, the operator has the right holder for every tool.

Tool holder plates

		Tool holder plates	
		Size 500:	L = 494 mm
		Part No.	32.0660/0
		Size 1000:	L = 988 mm
		Part No.	32.0665/0
		Size 1200:	L = 1178 mm
		Part No.	32.0670/0
		Size 1500:	L = 1482 mm
		Part No.	32.0675/0
		Size 2000:	L = 1976 mm
		Part No.	32.0680/0

- Steel, powder coated, grey, RAL 7035
- ESD capability
- Is simply attached to the portal structure
- Square perforation 10 x 10mm in grid 38mm


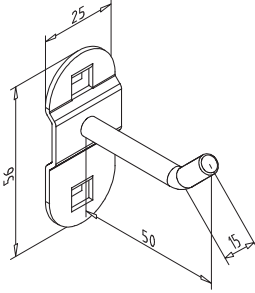
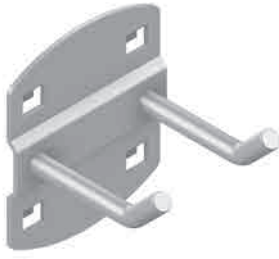
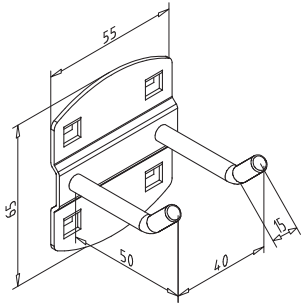
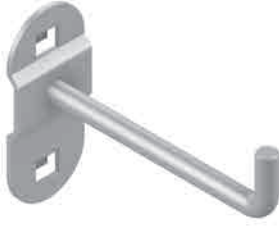
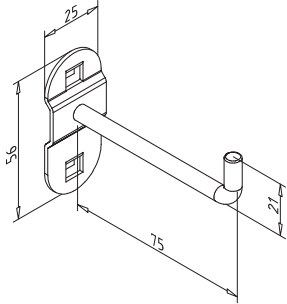

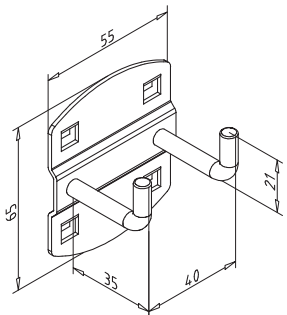

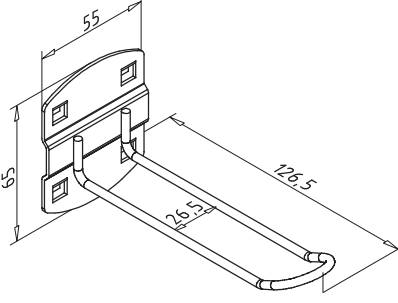
Tool carrier with double-joint swivel arm

		Tool carrier with double joint swivel arm Part no. 32.0510/0	
		ESD tool carrier with double joint swivel arm Part no. 32.0510/6	


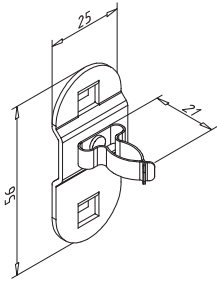

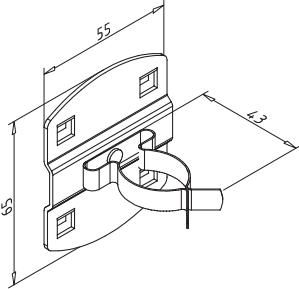

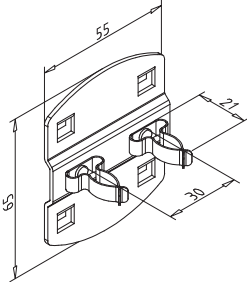

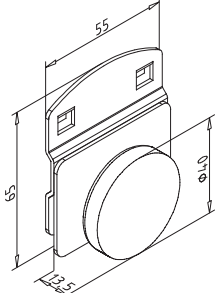

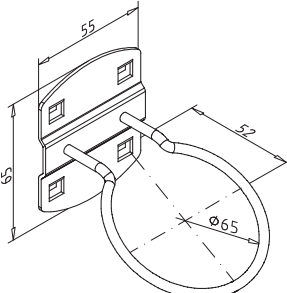
- Steel, painted light grey, RAL 7035
- Capacity 150 N
- Is simply attached to the portal structure
- Square perforation 10 x 10mm in grid 38mm

EQUIPMENT


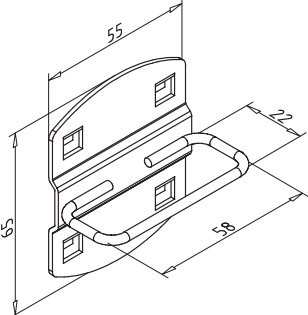

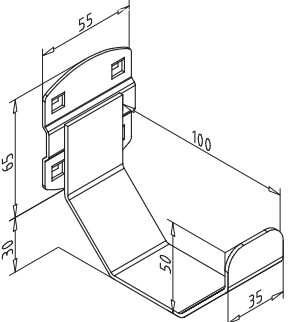

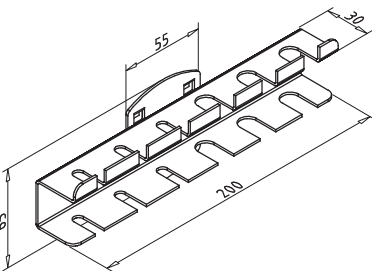

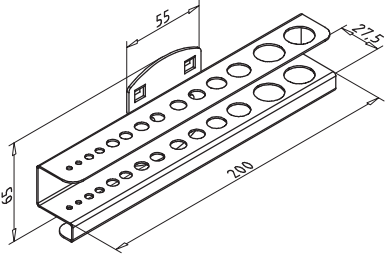

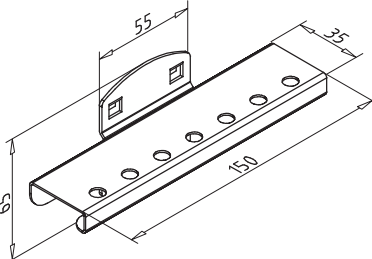
The aluminum-colored tool holders have a shock- and scratch-resistant plastic coating and a 1.5mm thick, embossed base plate. The holders are matched to the tool holder plates and the tool carrier. All products are also available in ESD version on request.

		<p>Tool holder with angled hook end</p> <p>Hook Ø 6,3 mm</p> <p>L= 50mm Part No. 32.0527/0</p> <p>L=100mm Part No. 32.0651/0</p>
		<p>Double tool holder with inclined hook end</p> <p>Hook Ø 6,3 mm</p> <p>L= 50mm Part No. 32.0653/0</p> <p>L= 75mm Part No. 32.0654/0</p>
		<p>Tool holder with vertical hook end</p> <p>Hook Ø 6,3 mm</p> <p>L= 75mm Part No. 32.0652/0</p>
		<p>Double tool holder with vertical hook end</p> <p>Hook Ø 6,3 mm</p> <p>L= 35mm Part No. 32.0508/0</p> <p>L= 50mm Part No. 32.0655/0</p> <p>L= 75mm Part No. 32.0656/0</p>
		<p>Tool holder for self-service packaging</p> <p>Hanger Ø 3,7 mm</p> <p>L= 125mm, W= 30mm Part No. 32.0658/0</p>

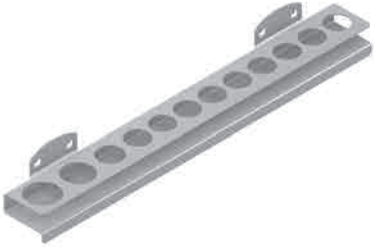
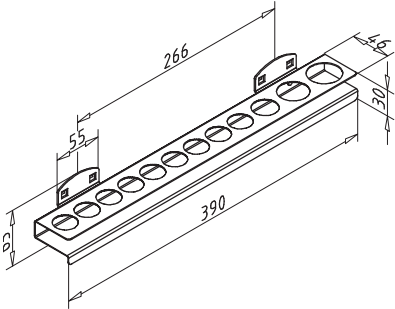

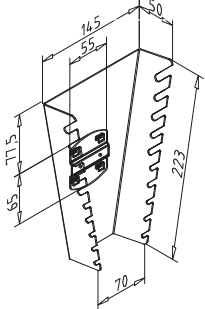

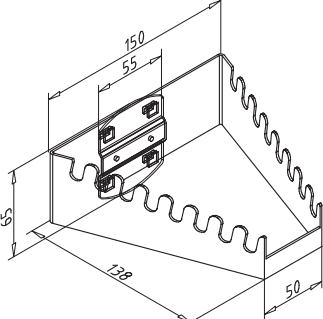

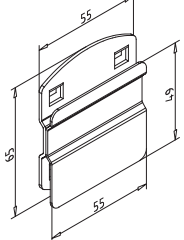

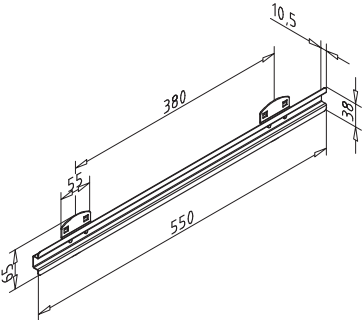
EQUIPMENT

		<p>Tool clamp simple, small base plate</p> <p>For clamping tools with \varnothing 7-10 mm</p> <p>Part No. 32.0529/0</p>
		<p>Tool clamp simple, large base plate</p> <p>For clamping tools with \varnothing 20-25 mm</p> <p>Part No. 32.0528/0</p>
		<p>Double tool clamp</p> <p>For clamping tools with \varnothing 7-10 mm</p> <p>Part No. 32.0506/0</p>
		<p>Magnetic holder</p> <p>Holding force approx. 5 kg</p> <p>Part No. 32.0515/0</p>
		<p>Machine holder</p> <p>For tools up to \varnothing 60 mm</p> <p>Part No. 32.0657/0</p>


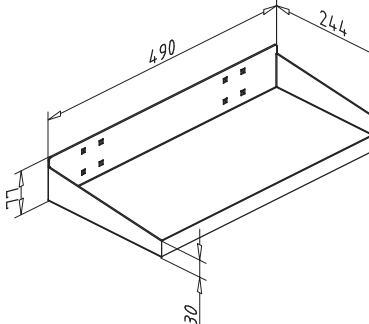

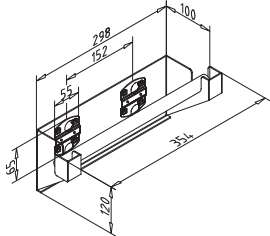
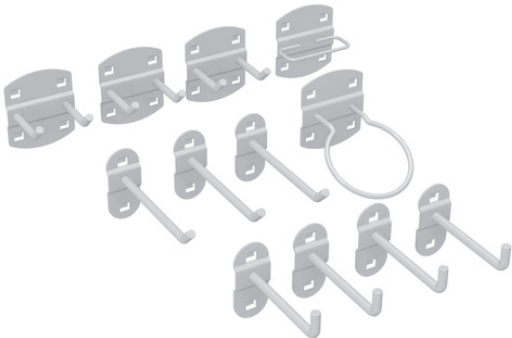
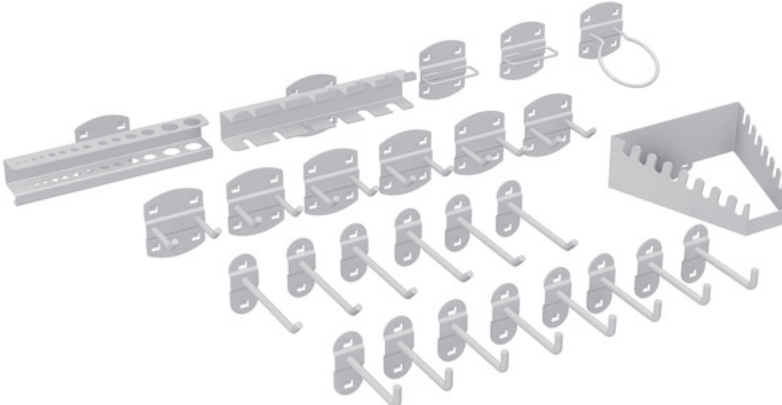
EQUIPMENT

		<p>Chuck holder</p> <p>For tools with a cross section of up to 54 x 19 mm</p> <p>Part No. 32.0531/0</p>
		<p>Pipe holder, also for hoses, cables etc.</p> <p>For hoses and cables up to 100 mm in diameter</p> <p>Part No. 32.0564/0</p>
		<p>Screwdriver holder for 6 parts</p> <p>3 receiving slots 6.5 mm wide and 23 mm deep 3 receiving slots 12.5 mm wide and 23 mm deep</p> <p>Part No. 32.0649/0</p>
		<p>Drill / hex socket holder, for 14 parts</p> <p>Mounting holes</p> <p>2 x Ø 3,2 mm 2 x Ø 4,7 mm 2 x Ø 6,7 mm 2 x Ø 7,7 mm 2 x Ø 8,7 mm 1 x Ø 10,7 mm 1 x Ø 12,7 mm 2 x Ø 16,7 mm</p> <p>Part No. 32.0504/0</p>
		<p>Bit holder for 7 bits</p> <p>Mounting holes 7x Ø 7,2 mm</p> <p>Part No. 32.0503/0</p>

EQUIPMENT

		<p>Nut holder for 12 nuts</p> <p>Mounting holes</p> <p>9 x Ø 24,7 mm 1 x Ø 27,3 mm 1 x Ø 31,7 mm 1 x Ø 34,7 mm</p> <p>Part No. 32.0519/0</p>
		<p>Wrench holder vertical for 10 keys</p> <p>Receiving slots</p> <p>1 x 7,5 x 30 mm 2 x 6,5 x 23 mm 2 x 5,5 x 20 mm 2 x 4,5 x 15 mm 3 x 4,0 x 10 mm</p> <p>Part No. 32.0521/0</p>
		<p>Wrench holder horizontally for 8 keys</p> <p>8 receiving slots 6.5 x 15 mm</p> <p>Part No. 32.0523/0</p>
		<p>View storage boxes for 1 box size 7 and 8</p> <p>Max. material thickness for hanging 4 mm</p> <p>B= 55mm Part No. 32.0509/0</p>
		<p>View storage boxes for 5 boxes up to size 8</p> <p>L= 550mm, H= 38mm Part No. 32.0532/0</p>

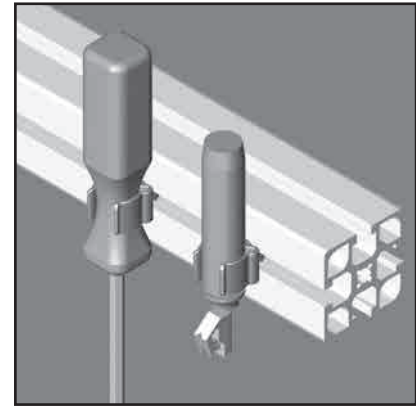
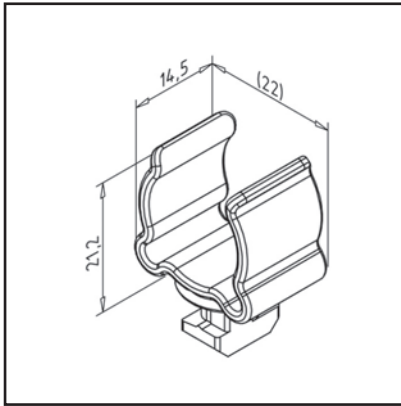
EQUIPMENT

		<p>Steel floor with roll-off edge</p> <p>W= 490mm, D= 243mm Part No. 32.0659/0</p>
		<p>Dispensers</p> <p>Roller axis Ø 22 mm Distance between roller axis and rear wall approx. 50 mm</p> <p>Part No. 32.0611/0</p>
	<p>Tool holder assortment, 12 pieces Part no. 32.0607/0 consisting of:</p> <p>4 x Toolholder Part No. 32.0652/0</p> <p>3 x Toolholder Part No. 32.0651/0</p> <p>3 x Double tool holder Part No. 32.0653/0</p> <p>1 x Machine holder Part No. 32.0657/0</p> <p>1 x Chuck holder Part No. 32.0531/0</p>	
	<p>Tool holder assortment, 26 pieces Part no. 32.0606/0 consisting of:</p> <p>8 x Toolholder Part No. 32.0652/0</p> <p>6 x Toolholder Part No. 32.0651/0</p> <p>6 x Double tool holder Part No. 32.0653/0</p> <p>1 x Machine holder Part No. 32.0657/0</p> <p>2 x Chuck holder Part No. 32.0531/0</p> <p>1 x Screwdriver holders Part No. 32.0523/0</p> <p>1 x Drill / hex socket holder Part No. 32.0504/0</p> <p>1 x Screwdriver holders Part No. 32.0649/0</p>	

UNIVERSAL HOLDER

Part no.

22.1175/0

**TECHN. DATA / ITEMS SUPPLIED**

- PA, grey
- Polyamide, grey
- Weight = 0.003 kg/piece

APPLICATIONS

- Holding for all kinds of worktools
- Tools with a diameter of ca. 15 - 21 mm
- Max. weight 160 g

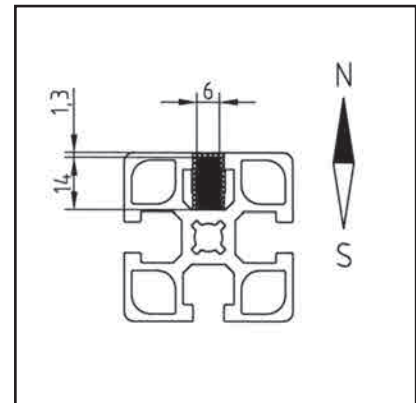
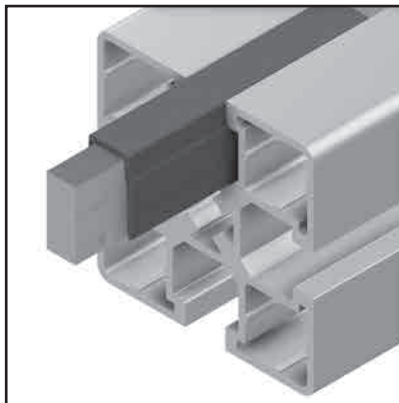
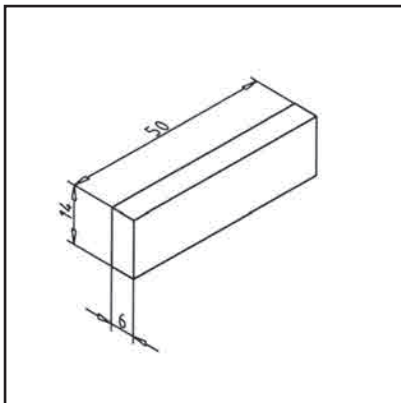
ASSEMBLY

- Insert in profile groove and turn 90°

MAGNET 6 X 14 X 50

Part no.

21.0032/0

**TECHN. DATA / ITEMS SUPPLIED**

- NeFeB N35, nickel-plated
- Without fastening kit
- Attention: Electric- and memory devices can be faulted by the magnet
- Power density, $BH_{mx} = 263 \text{ kJ/m}^3$
- Remanence, $B_r = 1170 \text{ mT}$
- coercive field strength $H_{cj} = 955 \text{ kA/m}$
- max. service temperature $+80 \text{ }^\circ\text{C}$
- Weight = 0.030 kg/piece

APPLICATIONS

- Adhesive magnet for tools
- Use under conveyor belts as tracking, for magnetizable conveying products or at higher conveying speeds
- Fitting for all profiles of profile series 45

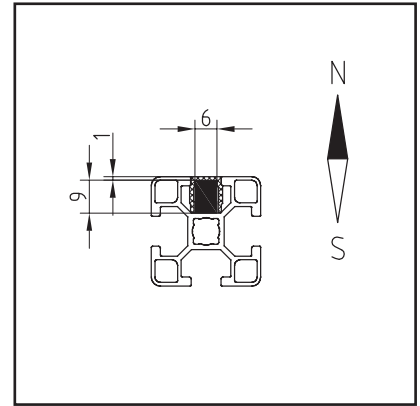
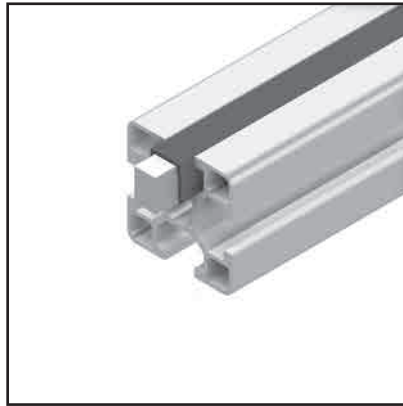
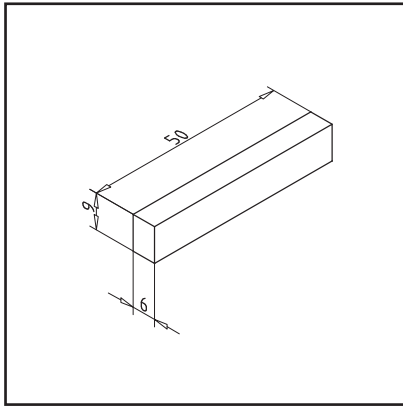
ASSEMBLY

- Snap or slip the cover profile into profile groove
- Insert magnet into t-slot
- For fastening: (mighty recommended) Use end cap AL, set screw with square nut or t-slot bar

MAGNET 6 X 9 X 50 MM

Part no.

21.0040/0

**TECHN. DATA / ITEMS SUPPLIED**

- NeFeB N45, nickel-plated
- Without fastening kit
- Attention: Electric- and memory devices can be faulted by the magnet
- Power density, $BH_{mx} = 342 \text{ kJ/m}^3$
- Remanence, $B_r = 1320 \text{ mT}$
- coercive field strength $H_{cj} = 955 \text{ kA/m}$
- max. service temperature $+80 \text{ }^\circ\text{C}$
- Weight = 0.023 kg/piece

APPLICATIONS

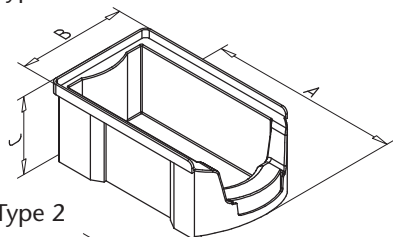
- Adhesive magnet for tools
- Use under conveyor belts as tracking, for magnetizable conveying products or at higher conveying speeds
- Fitting for all profiles of profile series 30

ASSEMBLY

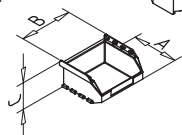
- Snap or slip the cover profile into profile groove
- Insert magnet into t-slot
- For fastening: (might recommended) Use end cap AL, set screw with square nut or t-slot bar

STORAGE BOXES

Type 1



Type 2



TECHNICAL DATA

- Optimal overview and convenient access to the content
- Large handles on the front and back for easy handling
- Dimensionally stable
- Resistant to most acids and oils
- temperature resistance (-20° to +80°C)

APPLICATION

- Provision of small parts, screws, nuts etc. at assembly workstations
- Ergonomic workplace systems

ASSEMBLY

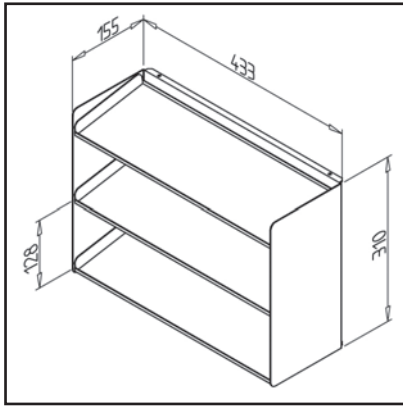
- Mount storage boxes with storage box holder, 1-fold part no. 32.0509/0 or with multiple storage box holder part no. 32.0532/0 on tool holder plate or carrier

Type	Part no.	Measure A	Measure B	Dimension C	Color
1	32.0540/0	360	210	147	blue
	32.0540/5	350	200	145	black ESD
1	32.0541/0	229	148	122	blue
	32.0541/5	235	145	125	black ESD
1	32.0542/0	167	104	76	blue
	32.0542/5	175	100	75	black ESD
2	32.0543/0	85	100	50	blue
	32.0543/5	95	100	50	black ESD

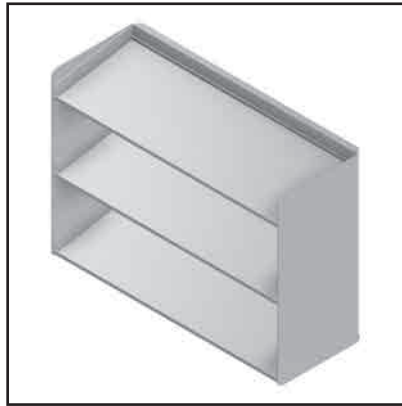
STORAGE BOX SHELF

Part no.

32.0514/0

**TECHN. DATA / ITEMS SUPPLIED**

- Steel, powder-coated, grey
- 3 levels
- Weight = 3.800 kg/piece

**APPLICATIONS**

- For semi open front containers and small hardware
- For max. 12 semi open front containers, L= 165 mm, W= 105 mm, H= 75 mm

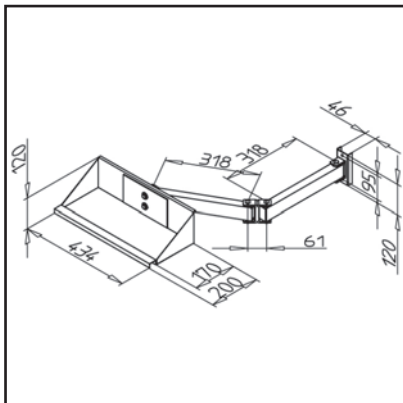
**ASSEMBLY**

- Fasten to the portal structure
- Freestanding or in combination with box holder **part no. 32.0516/0** swiveling
- Optional: in ESD-design **part no. 32.0514/6**

STORAGE BOX HOLDER

Part no.

32.0516/0

**TECHN. DATA / ITEMS SUPPLIED**

- Steel, powder-coated, grey
- Fastening material
- Front handle bar
- With double articulated arm 700 mm long
- Load capacity 150 N
- Weight = 4.300 kg/piece

**APPLICATIONS**

- As storage area for semi open front containers and semi open front container racks

**ASSEMBLY**

- Installation on the vertical strut of the portal structure
- Optional: in ESD-design **part no. 32.0516/6**

KANTAINER

The newly developed KanTainer offers the ideal prerequisite for implementing the principles of lean production in your company using Kanban control.



In combination with the mounting solutions and the ergonomic designed working places of MiniTec, a complete, safe and economic all-round-package for your manual production is ensured. The Kantainer is designed for maximum space utilization in the warehouse with optimal material provision at the workplace. The Kantainer offers all the prerequisites to make

storage, order picking and assembly easier and safer. Thanks to the compatible system components of our extensive MiniTec modular system, we are able to optimally solve virtually every task in manual assembly.

FUNCTIONS

- For continuous kanban system: no transfer - no error-prone refilling
- Total storage rack use by retractable grip plate
- Ergonomically optimized grip plate eases the removal
- Transparent cover against soiling and mixing of parts
- Cover as protection against unintentional opening or loss of parts
- Simple content control
- Transparent dosing disc: easy recognition of residual quantities
- Dosing disc prevents uncontrolled trickling out of small parts
- Secure stacking through locating pins and eyelets
- Double-sided labelling
- Retaining device at the back of the container
- Bottom guide rails for longitudinal and transverse transport

TECHNICAL DATA

- Dimensions: 175x126x88 [mm]
- Superimposed load 50 kg
- Content load: 5 kg
- Temperature resistance: -20°C to +90°C
- Material: polypropylene, polystyrene
- Color:
 - Basalt grey (RAL 7012) [Part no.: 32.0870/0]
 - Orange (RAL 2004) [Part no.: 32.0870/1]
 - Black ESD conductive [Part no.: 32.0870/5]

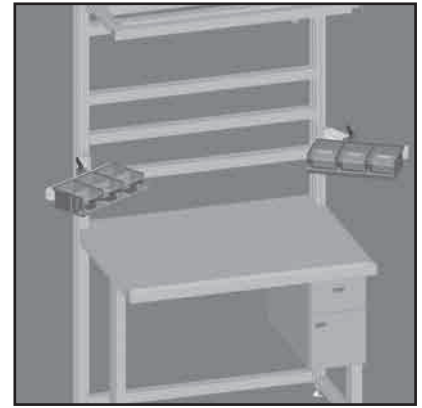
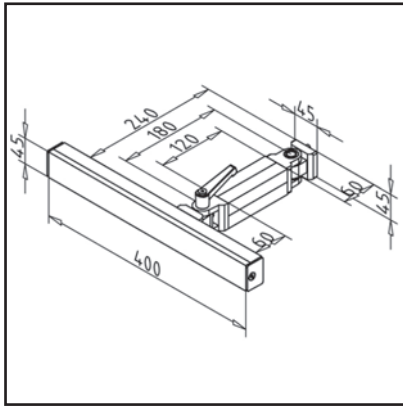
The ESD-conductive Kantainer is the optimal and logical addition to our ESD workstation systems.



KANTAINER-SWIVEL CANTILEVER, 3-FOLD

Part no.

32.0877/0

**TECHN. DATA / ITEMS SUPPLIED**

- Profile 45 x 32 F and 45 x 45 F
- heavy duty joint and swivel joint with clamping lever with supplied hardware
- Load capacity: max.= 100 N
- Weight = 1.916 kg/piece

APPLICATIONS

- Accepting 3 KanTainers

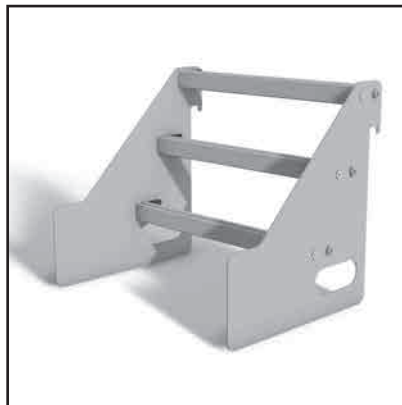
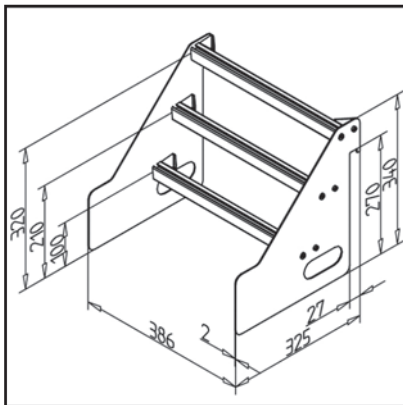
ASSEMBLY

- Mount the heavy load hinge on the table

KANTAINER - SHELF (STRAIGHT)

Part no.

32.0876/0

**TECHN. DATA / ITEMS SUPPLIED**

- Side panels steel, powder coated, grey
- Intermediate struts of profile 23 x 30
- Delivery as construction set
- Fastening kit
- Weight = 3.400 kg/piece

APPLICATIONS

- Accepting 9 KanTainers
- Adjustable inclination
- With the hooks on the back, the shelf can also be hung in our profile grooves

ASSEMBLY

- Screw profiles to side panels with supplied mounting angles and mounting hardware

MONITOR SUPPORT LX AND LX HD





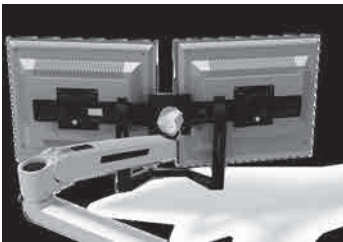


APPLICATION

The LX and LX HD monitor supports are suitable for a wide range of applications: suitable for large monitors, medium-sized televisions and all-in-one computers weighing up to 13.6 kg. The LX offers a large range of motion and is suitable for both sedentary and standing users, allows vertical adjustment of up to 51 cm and lateral adjustment of 157 cm.

ADVANTAGES

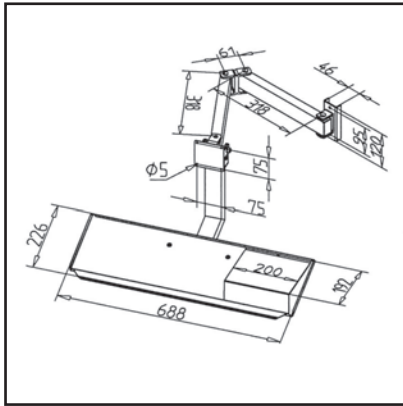
- More freedom and flexibility through maximum ergonomic comfort
- Maximum comfort when positioning the monitor
- Integrated cable management
- Up to 51 cm stepless height adjustment, meets the ergonomic principles of more than 90% of all users
- Arm can be pulled back over the base plate and fold up; suitable for storage in shelves or cupboards in confined spaces
- Outstanding viewing comfort prevents health risks in the neck and back
- LCD range up to 88 cm. Simply slide the screen to the side if you are not using it

		
	LX HD arm for wall mounting	LX arm for wall mounting
Part No.	32.0623/0	32.0622/0
Scope of delivery	LX HD sit-stand-arm, extension, wall mounting base, VESA brackets incl. mounting material	LX LCD-arm, bracket arms, wall bracket base. Direct mounting on solid vertical surfaces incl. mounting material
Maximum screen size	46"	24"
Screen size may vary. Details refer to the screen diagonal.		
Load-bearing capacity	6,3-13,6 kg	3.2-9.1 kg monitor depth can be greater than 5 cm reduce capacity
Height adjustment	51 cm	33 cm
Tilt function	80° 75° / 5°	75° 70° / 5°
Swivel function	360°	360°
Rotation	90° Rotation with portrait / landscape mode	90° Rotation with portrait / landscape mode
VESA	75x75mm/100x100mm/200x100mm/200x200mm	75x75mm/100x100mm
Depth	Foldable to 12 cm	Foldable to 13.4 cm
Reach up	84 cm	64 cm
Transport weight	9,1 kg	3,2 kg
Transport dimensions	64 x 38 x 19 cm	53 x 29 x 19 cm
ACCESSORIES		
32.0612/0	Keyboard tray	
	Keyboard shelf made of sheet steel, powder-coated matt black for mounting on monitor carrier LX / LX HD. Rear cable entry for mouse and keyboard. The distance to the monitor is adjustable. For fastening the existing VESA holes are used. When used, the arm is additionally loaded with 2.4kg.	
32.0624/0	Monitor handle Kit	
	Can be attached to many mounts using a bolt circle of 50 x 50mm, 100 x 100mm or 200 x 100mm. Robust design ensures long service life. Suitable for displays up to a size of 32 inches. When used, the arm is additionally loaded with 1.3 kg.	
39.0118/0	Dual monitor support for LX HD	
	<p>Recording for 2 monitors and a handle</p> <ul style="list-style-type: none"> - Integrated cable management - Load capacity: 6.3 - 10.5 kg - Height adjustment: 510 mm - Extension: up to 840 mm - Tilt function: 80° - Rotation: 90° - VESA mounting standard: 75 x 75 mm 100 x 100 mm - Maximum display size: 46 " <p>- When used the arm is additionally loaded with 2.7 kg.</p>	

MONITOR SUPPORT WITH KEYBOARD TRAY TFT

Part no.

32.0517/0



TECHN. DATA / ITEMS SUPPLIED

- Steel, powder-coated, grey
- Monitor and keyboard carrier with mouse rack
- With double-articulated swing boom
- Delivery as construction set
- ESD on request
- Load capacity 150 N
- Weight = 7.400 kg/piece

APPLICATIONS

- The mouse rack is shiftable and therefore suitable for right and left-handers

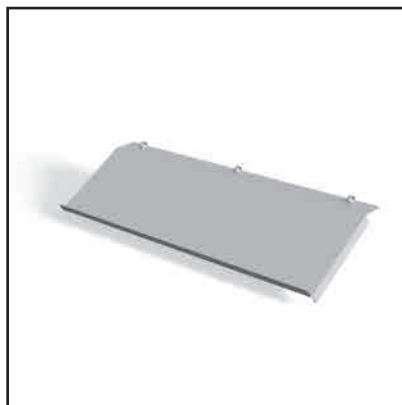
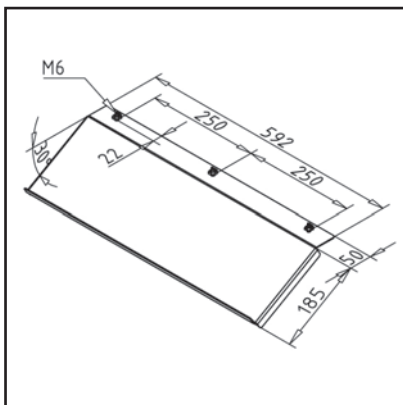
OTHER VERSIONS

- Support with keyboard shelf with VESA connection adapter 75 mm **part no. 32.0517/0**
- Support with keyboard shelf with VESA connection adapter 100 mm **part no. 32.0517/1**
- Support without keyboard shelf with VESA connection adapter 75 mm **part no. 32.0525/0**
- Support without keyboard shelf with VESA connection adapter 100 mm **part no. 32.0526/0**

KEYBOARD STORAGE

Part no.

32.0518/0



TECHN. DATA / ITEMS SUPPLIED

- Stainless steel
- Stainless steel 2mm, grounded
- Rustproof
- For standard keyboards
- With slide nuts M6Z, ESD-compatible
- Fastening material
- Load capacity 150 N
- Weight = 2.477 kg/piece

APPLICATIONS

- For setting the keyboard on the workplace

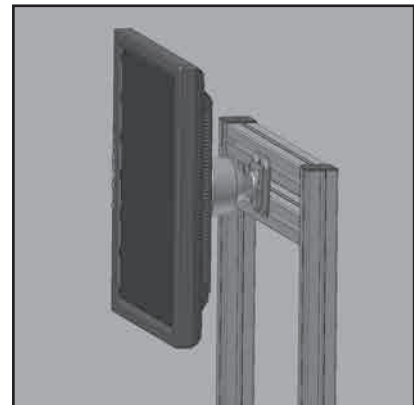
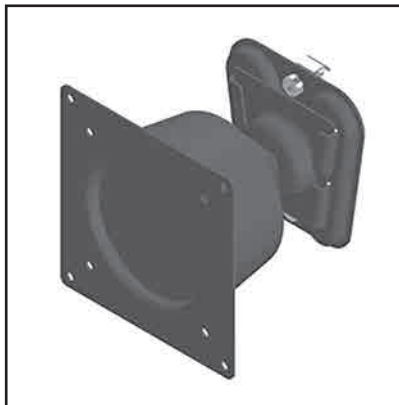
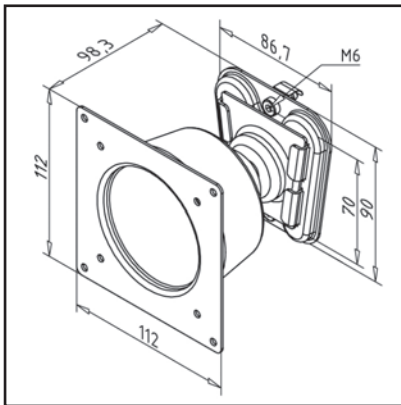
ASSEMBLY

- Fasten to profile groove with supplied hardware

MONITOR CARRIER V 100

Part no.

32.0053/0

**TECHN. DATA / ITEMS SUPPLIED**

- Steel, powder coated black
- Fastening kit
- Load capacity 150 N
- Weight = 0.568 kg/piece

APPLICATIONS

- Swiveling with ball joint
- Monitor can be rotated through 180°
- For VESA standard 75 x 75 mm / 100 x 100 mm

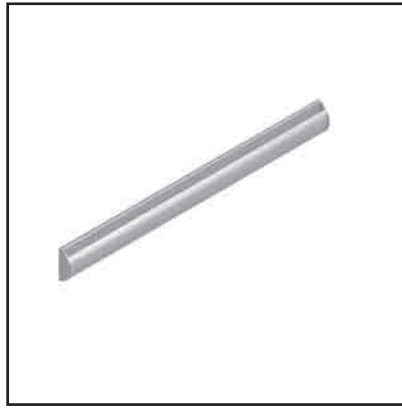
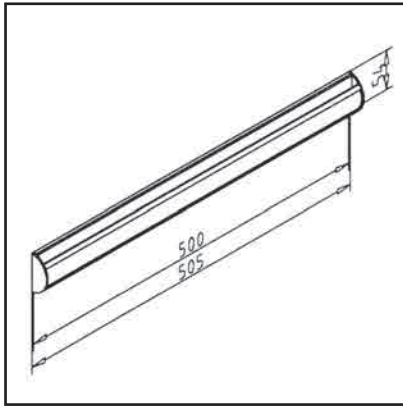
ASSEMBLY

- Fasten to profile groove with supplied hardware.

DOCUMENT BAR

Part no.

32.0610/0



TECHN. DATA / ITEMS SUPPLIED

- Aluminium anodized
- With clamping balls made of special glass
- Length: 505 mm
- Other dimensions upon request
- Weight = 0.300 kg/piece

APPLICATIONS

- Safe attachment of large drawings, instructions, plans
- Simply slip-in papers from below
- Attach to portal construction by screwing or gluing with double-faced adhesive tape

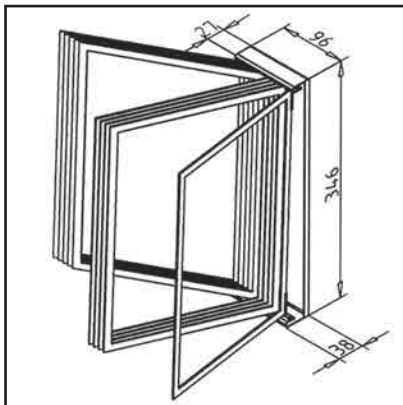
ASSEMBLY

- Use the screws of fastening kit or fasten with adhesive tape on the back

DOCUMENT SUPPORT

Part no.

32.0605/0



TECHN. DATA / ITEMS SUPPLIED

- Steel bracket, powder coated light grey
- 10 DIN A4 boards, transparent
- Border per 5 in blue and red
- 5 Slip-on tabs
- Weight = 1.240 kg/piece

APPLICATIONS

- Provision of job instructions, maintenance notes
- Control boards, general information
- Screw tight onto portal construction

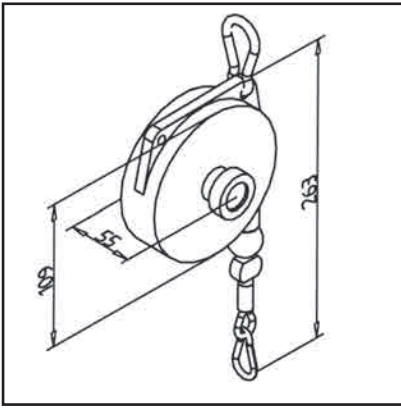
ASSEMBLY

- Fastening with 2 hex socket cap screws M 06 x 16, 2 square nut M6 into profile groove
- ESD-design **part no. 32.0605/6**

BALANCER

Part no.

29.0111/0



TECHN. DATA / ITEMS SUPPLIED

- For tool weights 2-3 kg
- For higher weights upon request
- Weight = 0.753 kg/piece

APPLICATIONS

- Grab-supportive tool suspensions

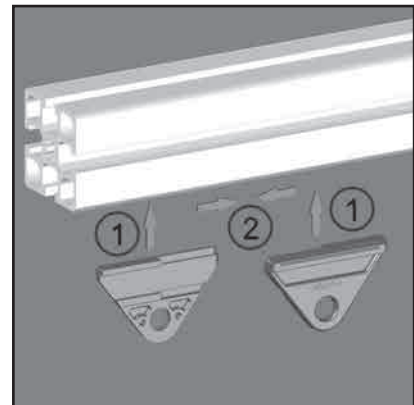
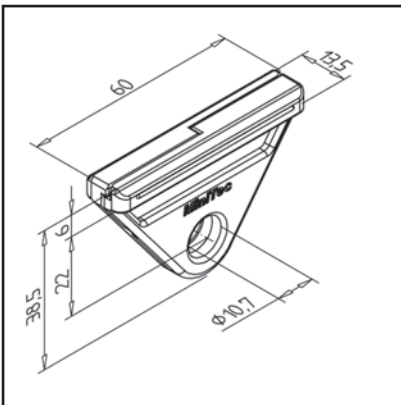
ASSEMBLY

- With snap hook from scope of delivery in tool glider **part no. 22.1213/0**

TOOL SLIDER H

Part no.

22.1213/0



TECHN. DATA / ITEMS SUPPLIED

- ABS, Injection Mould, grey
- load capacity up to 600 N
- Weight = 0.010 kg/piece

APPLICATIONS

- Grab-supportive tool suspensions
- Suitable for all 45er profiles

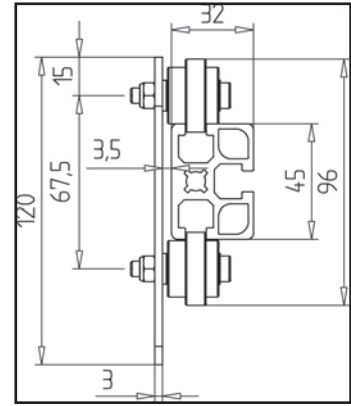
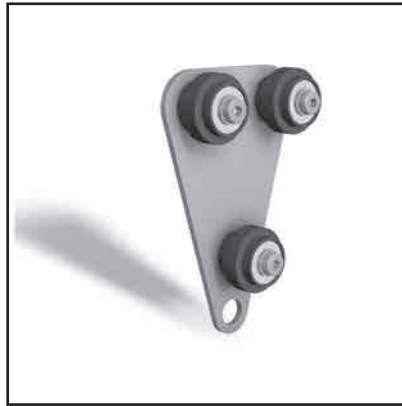
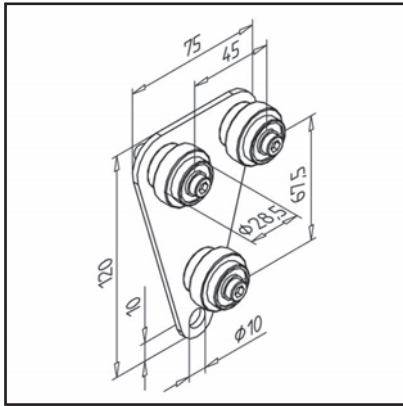
ASSEMBLY

- insert both halves in profile groove and press together
- Optional: spring clip 60x6 **part no. 21.1699/0**

TOOL SLIDE

Part no.

32.0545/0

**TECHN. DATA / ITEMS SUPPLIED**

- Stainless steel
- Caster wheel ABS grey
- Load capacity F: 400 N
- Weight = 0.263 kg/piece

APPLICATIONS

- For guiding of tools on working tables

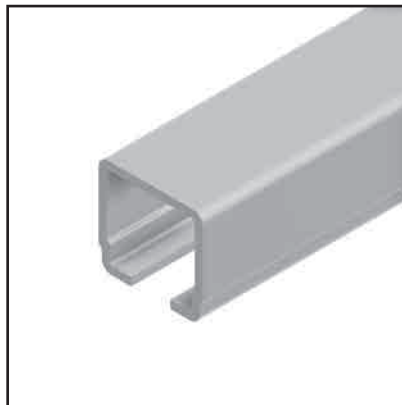
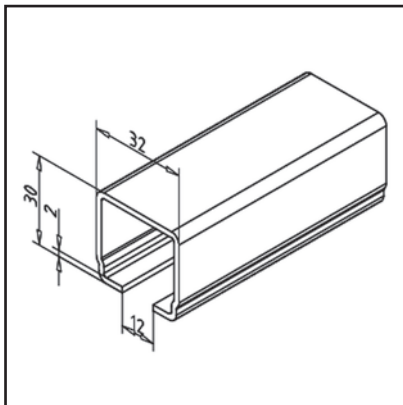
ASSEMBLY

- Slide into profile end
- Possibly before disassembly of the lower roller
- Can be used in connection with balancer, **part no. 29.0111/0**

C-SECTION RAIL 30

Part no.

32.0220/0

**TECHN. DATA / ITEMS SUPPLIED**

- Steel, galvanized
- $I_x = 2.42 \text{ cm}^4$
- $I_y = 1.45 \text{ cm}^4$
- ESD-compatible
- Weight = 1.560 kg/m
- Bar length = 6 m

APPLICATIONS

- Reception and guide of cable trolleys
- Reception and guide of tool trolleys to provide heavy tools

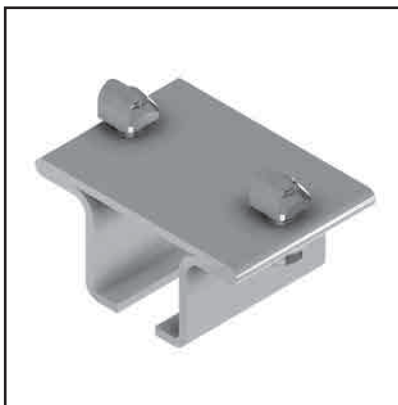
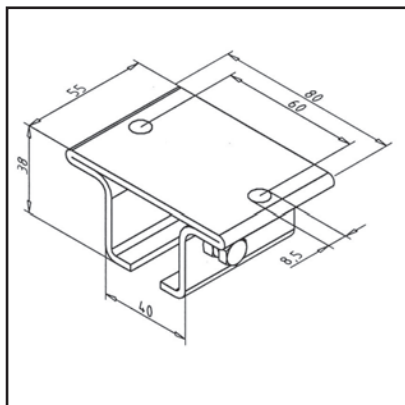
ASSEMBLY

- Attach to portal structure with rail holder **part no. 32.0222/0**

RAIL HOLDER

Part no.

32.0222/0



TECHN. DATA / ITEMS SUPPLIED

- Steel, galvanized
- Square nut Z, ESD capable
- Weight = 0.250 kg/piece

APPLICATIONS

- Fastening the C-section rail onto the portal structure
- Fixation for C-rail 30 **part no. 32.0220/0**

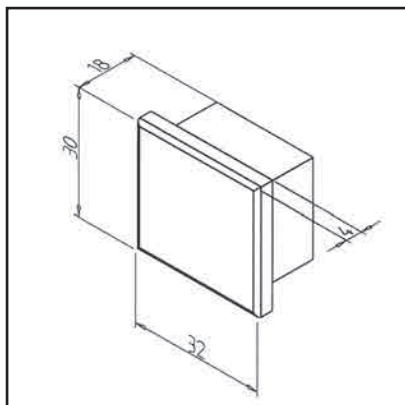
ASSEMBLY

- Fasten to the portal construction with supplied hardware

CLOSURE CAP FOR C-RAIL

Part no.

32.0223/0



TECHN. DATA / ITEMS SUPPLIED

- Plastic, black
- Weight = 0.006 kg/piece

APPLICATIONS

- Closing of both rail ends

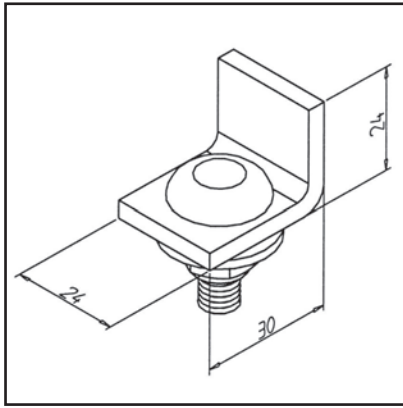
ASSEMBLY

- Press onto C-profile rail

END STOP C-RAIL

Part no.

32.0226/0

**TECHN. DATA / ITEMS SUPPLIED**

- Steel, galvanized
- Fastening material
- ESD-compatible
- Weight = 0.060 kg/piece

**APPLICATIONS**

- Fasten the cable trolley **part no. 32.0225/0** and tool trolley **part no. 32.0224/0** at the end of the rail

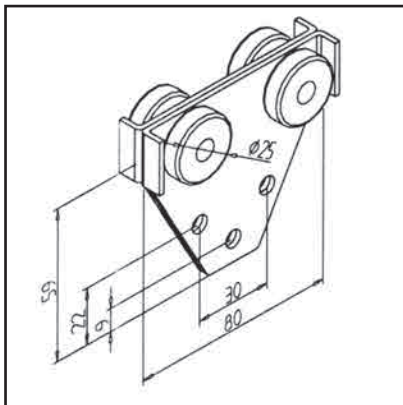
**ASSEMBLY**

- Screw into end of C-section rail

TOOL TROLLEY

Part no.

32.0224/0

**TECHN. DATA / ITEMS SUPPLIED**

- Steel, galvanized
- 4 rollers, zinc plated, ball bearings sealed on both sides
- ESD-compatible
- Load capacity: 16 kg
- Weight = 0.210 kg/piece

**APPLICATIONS**

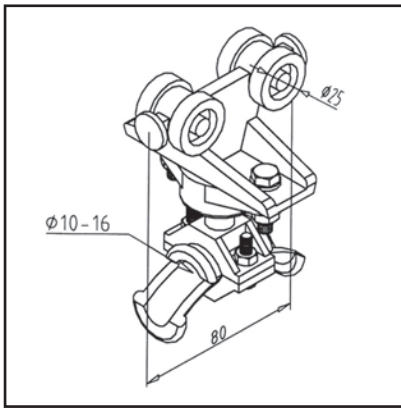
- Suspension of tools in the work area

**ASSEMBLY**

- Push into C-section rail, secure ends with limit stop

CABLE TROLLEYS FOR ROUND CABLES

Part no. 32.0225/0



TECHN. DATA / ITEMS SUPPLIED

- Plastic, yellow
- Supporting body: plastic, yellow
- 4 plastic rollers
- Load capacity: 8 kg
- Weight = 0.135 kg/piece

APPLICATIONS

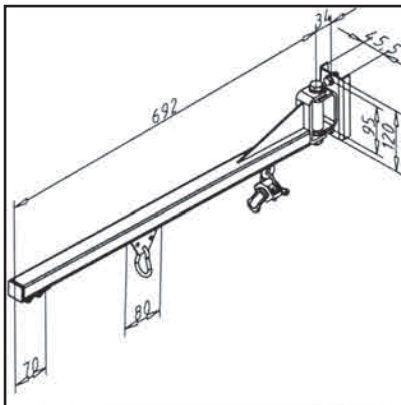
- Smooth running guidance of lines
- Suspension of hoses and pipes

ASSEMBLY

- Push into C-section rail, secure ends with limit stop

SWIVEL CANTILEVER C-RAIL 30

Part no. 32.0230/0



TECHN. DATA / ITEMS SUPPLIED

- Steel, powder-coated, grey
- 180° swiveling
- Fastening material
- Length: 692 mm
- Load capacity: 200 N
- Weight = 2.310 kg/piece

APPLICATIONS

- For compressed air and power tools

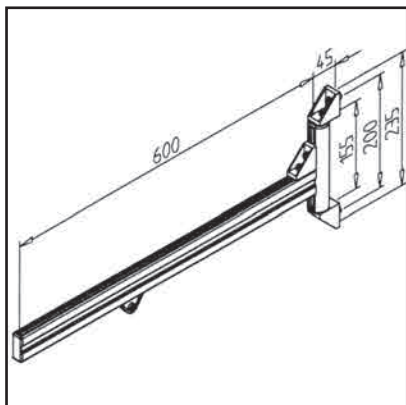
ASSEMBLY

- Slight slope to the rear, so that unused tool slides automatically from work area
- Fasten to the portal construction with supplied hardware
- Optional: as ESD design **part no. 32.0230/6**

SWIVEL ARM ECO

Part no.

32.0201/0

**TECHN. DATA / ITEMS SUPPLIED**

- Aluminium
- 200° swiveling
- Fastening material
- plain bearing
- Length: 600 mm
- Load capacity: max.= 100 N
- Weight = 1.100 kg/piece

APPLICATIONS

- For compressed air and power tools

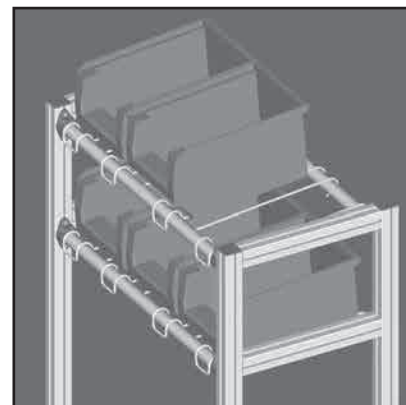
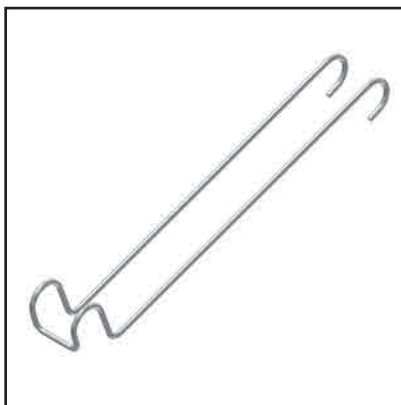
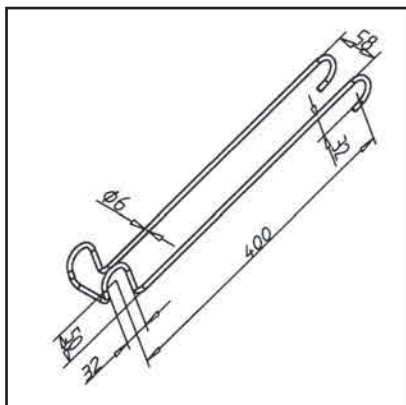
ASSEMBLY

- Fixing to portal with angle
- Fasten to the portal construction with supplied hardware

CONTAINER HOLDER 32-400

Part no.

32.0306/0

**TECHN. DATA / ITEMS SUPPLIED**

- Steel, galvanized
- Without fastening kit
- Weight = 0.268 kg/piece

APPLICATIONS

- as depositing rack for semi-open front containers and storage containers

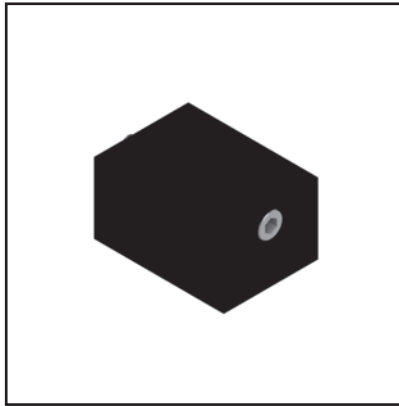
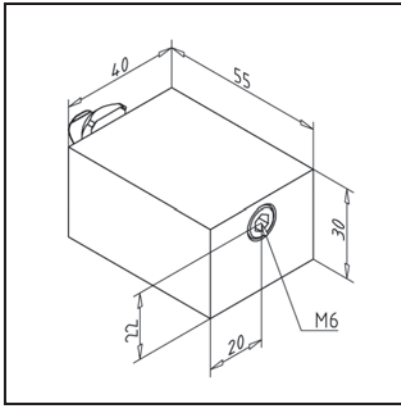
ASSEMBLY

- simply hooked into handle profile 32 from both sides
- Recommended: If required, secure laterally against sliding of snap bolt 25 **part no. 21.1758/0**

MOUNTING BLOCK

Part no.

32.0539/0



TECHN. DATA / ITEMS SUPPLIED

- Plastic
- Color: black
- Fastening kit
- Square nut Z, ESD capable
- Weight = 0.078 kg/piece

APPLICATION

- For self drilling of individual hole patterns
- To provide tools etc.

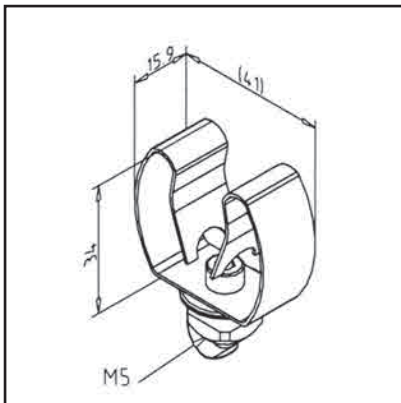
ASSEMBLY

- Fasten into profile groove with fastening kit

ATTACHMENT CLIP 16

Part no.

32.0538/0



TECHN. DATA / ITEMS SUPPLIED

- Steel
- Stainless steel 1.4319
- Attachment clip with fastening kit
- Square nut Z, ESD capable
- Weight = 0.028 kg/piece

APPLICATIONS

- Holder for various tools with \varnothing 16 - 25 mm

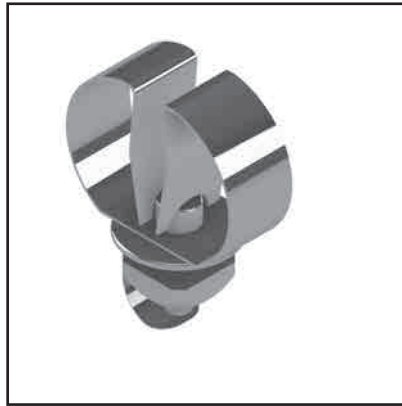
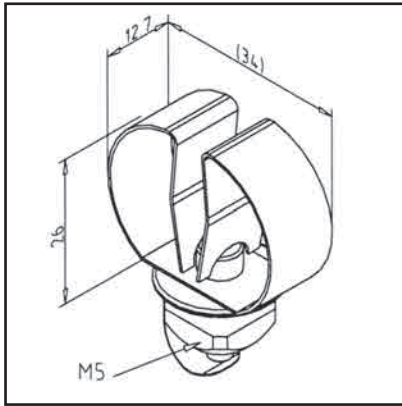
ASSEMBLY

- Fasten into the profile groove with supplied hardware and tighten the fastening screw

ATTACHMENT CLIP 8

Part no.

32.0537/0

**TECHN. DATA / ITEMS SUPPLIED**

- Steel
- Stainless steel 1.4319
- Attachment clip with fastening kit
- Square nut Z, ESD capable
- Weight = 0.017 kg/piece

APPLICATIONS

- Holder for various tools with \varnothing 8 - 12 mm

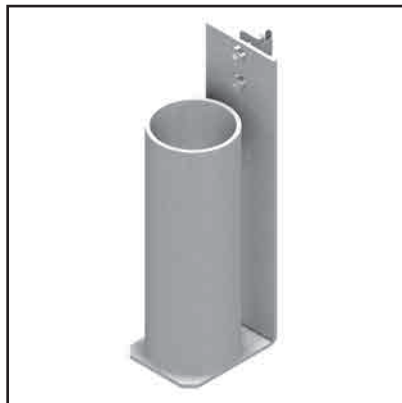
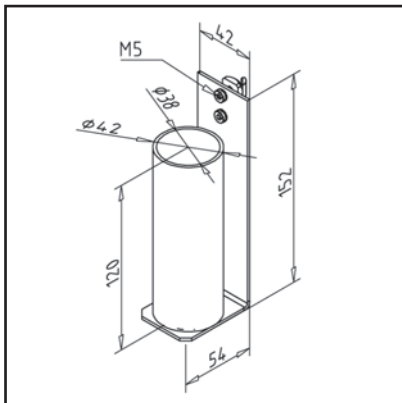
ASSEMBLY

- Fasten into the profile groove with supplied hardware and tighten the fastening screw

ROUND TOOL HOLDER 38 - 120

Part no.

32.0536/0

**TECHN. DATA / ITEMS SUPPLIED**

- Stainless steel
- Material V2A, polished
- Fastening kit
- Square nut Z, ESD capable
- Weight = 0.402 kg/piece

APPLICATIONS

- Tool holder for storage of tools, pins, etc.
- Adjustable angle

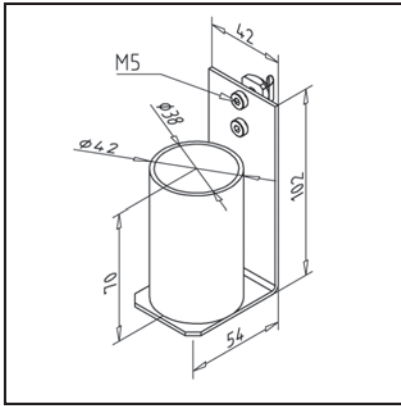
ASSEMBLY

- Attach with fastening kit from items supplied to profile strut

ROUND TOOL HOLDER 38-70

Part no.

32.0535/0



TECHN. DATA / ITEMS SUPPLIED

- Stainless steel
- Material V2A, polished
- Fastening kit
- Square nut Z, ESD capable
- Weight = 0.263 kg/piece

APPLICATIONS

- Tool holder for storage of tools (files, marking tools, sharpening stones, etc.)
- Adjustable angle

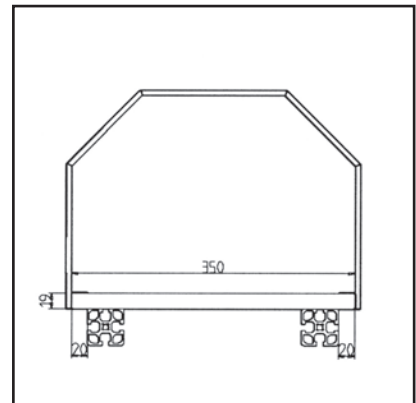
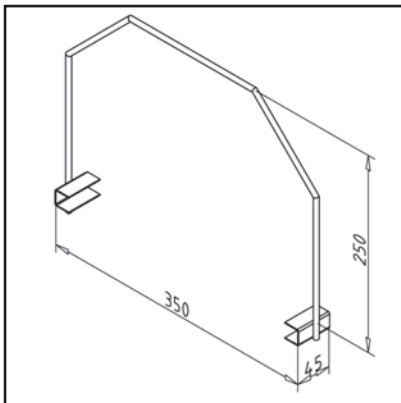
ASSEMBLY

- Attach with fastening kit from items supplied to profile strut

STEEL BRACKET 250

Part no.

32.0533/0



TECHN. DATA / ITEMS SUPPLIED

- Steel, powder-coated, grey
- With welded-on clamps for setting on a 19 mm chipboard, for example
- Clamped using pretensioning and can be secured additionally with wood screws
- Weight = 0.214 kg/piece

APPLICATIONS

- As separating web for cartons
- Magazine for flat parts

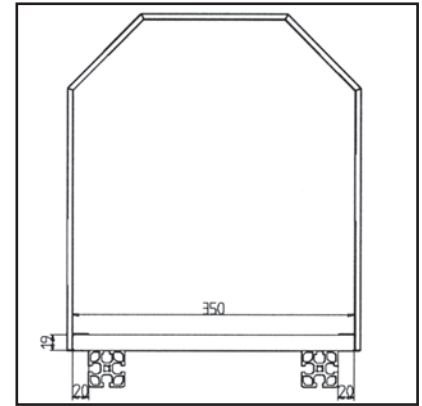
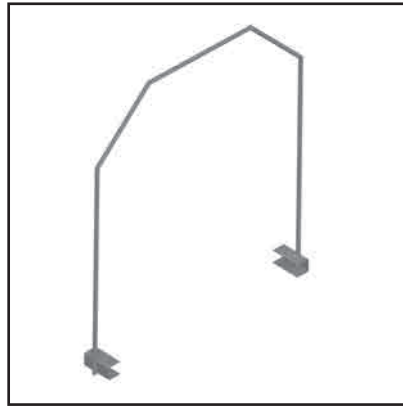
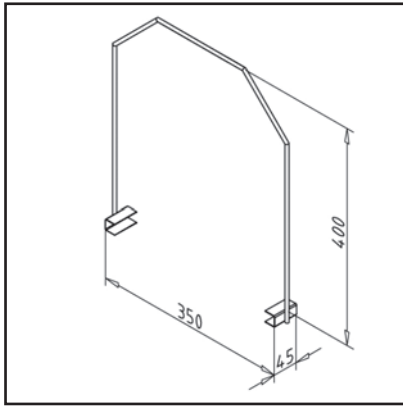
ASSEMBLY

- Pull apart gently, stick on at the correct position and secure with suitable screw

STEEL BRACKET 400

Part no.

32.0534/0

**TECHN. DATA / ITEMS SUPPLIED**

- Steel, powder-coated, grey
- With welded-on clamps for setting on a 19 mm chipboard, for example
- Clamped using pretensioning and can be secured additionally with wood screws
- Weight = 0.278 kg/piece

APPLICATIONS

- As separating web for cartons
- Magazine for flat parts

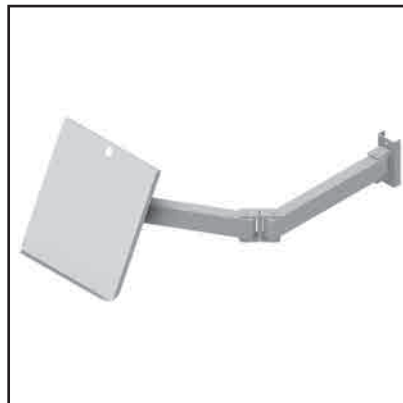
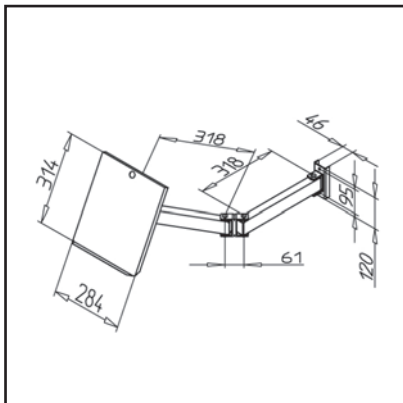
ASSEMBLY

- Pull apart gently, stick on at the correct position and secure with suitable screw

DRAWING HOLDER

Part no.

32.0608/0

**TECHN. DATA / ITEMS SUPPLIED**

- Steel light grey, powder coated
- With double-articulated swing boom
- For DIN A4 format
- Load capacity 150 N
- Delivery as construction set
- ESD on request
- Weight = 4.000 kg/piece

APPLICATIONS

- For documents, control charts and drawings

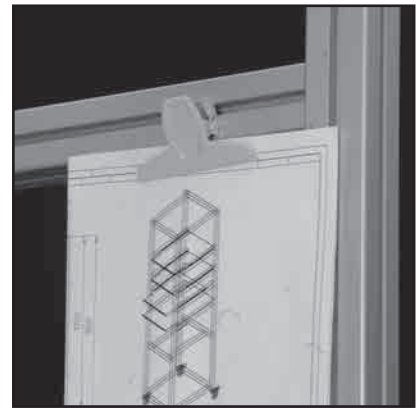
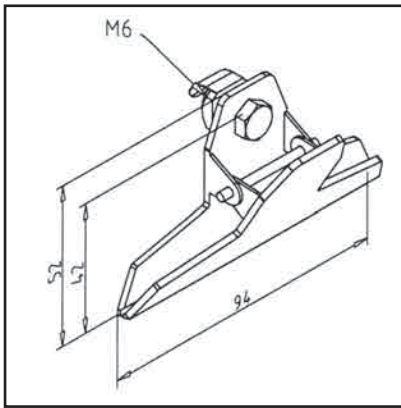
ASSEMBLY

- Fasten to the portal structure

DOCUMENT CLIP

Part no.

32.0609/0



TECHN. DATA / ITEMS SUPPLIED

- Steel light grey, powder coated
- With fastening bore \varnothing 6mm
- Width x height 94 x 52 mm
- Weight = 0.048 kg/piece

APPLICATIONS

- To fastening work instructions, work plans or the like to workbenches or other profile constructions

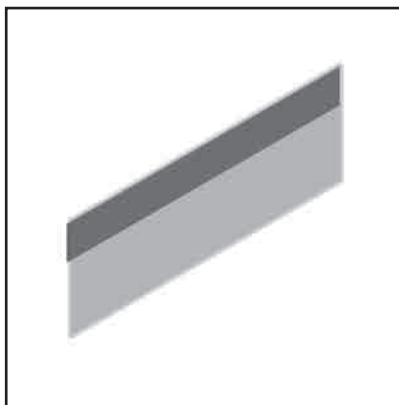
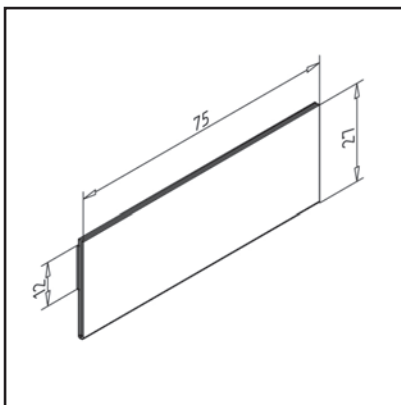
ASSEMBLY

- Insert square nut M6 into profile groove and fasten with the screw

QUICK LABEL 27 X 75

Part no.

32.0601/0



TECHN. DATA / ITEMS SUPPLIED

- Front, transparent
- Back, self-adhesive
- Open at the sides and on top
- Weight = 0.003 kg/piece

APPLICATIONS

- Storage compartment identification
- Error-free scanning of barcodes
- For profile width 32

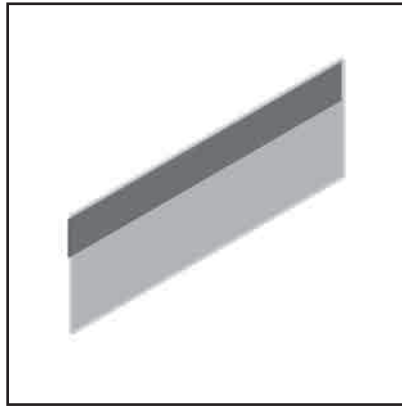
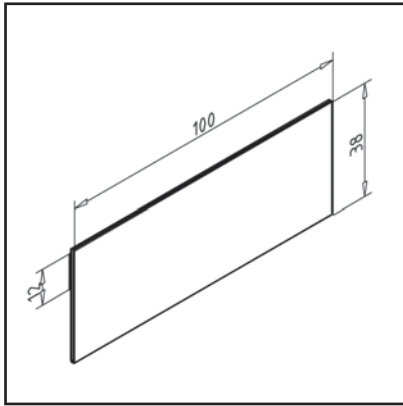
ASSEMBLY

- Attach with self-adhesive back
- Push in carton insert
- Cardboard insert not included in delivery scope, bows 20 pieces **part no. 32.0601/1** please order separately

QUICK LABEL 38 X 100

Part no.

32.0602/0

**TECHN. DATA / ITEMS SUPPLIED**

- Front, transparent
- Back, self-adhesive
- Open at the sides and on top
- Weight = 0.007 kg/piece

APPLICATIONS

- Storage compartment identification
- Error-free scanning of barcodes
- For profile width 45

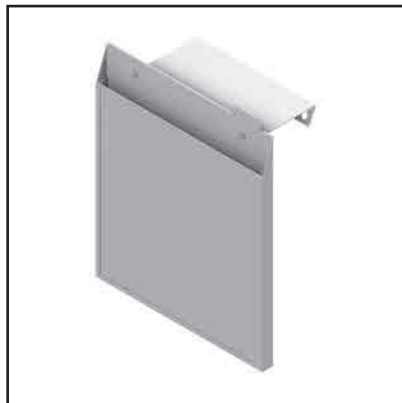
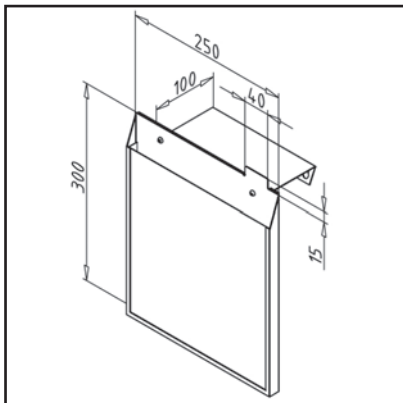
ASSEMBLY

- Attach with self-adhesive back
- Push in carton insert
- Cardboard insert not included in delivery scope, bows 14 pieces **part no. 32.0602/1** please order separately

SEMI-OPEN COMPARTMENT BASE ELEMENT

Part no.

32.0615/0

**TECHN. DATA / ITEMS SUPPLIED**

- Steel light grey, powder coated
- With fastening bores $\varnothing 9$, spacing 160 mm
- Optical edge 45 mm for optimum overview
- Filling capacity = 15 mm, sufficient for approx. 120 sheets of paper
- With grey closing plate
- clear semi-open compartment (front plate)
- Weight = 0.634 kg/piece

APPLICATIONS

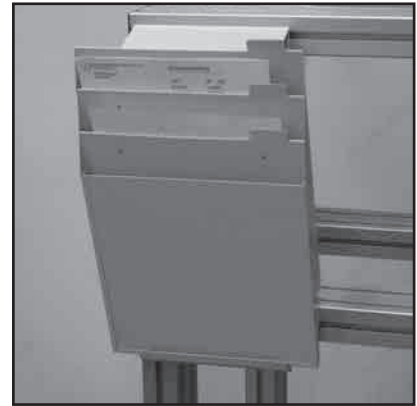
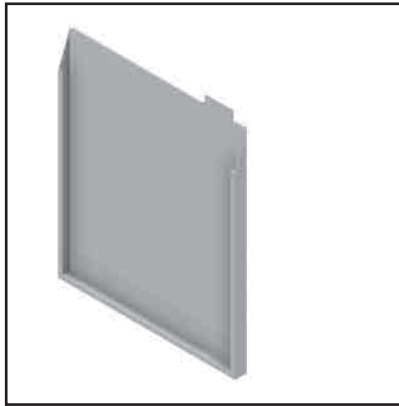
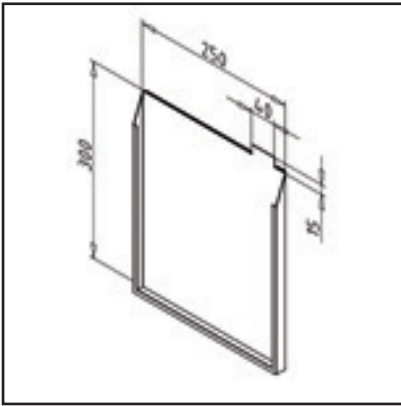
- For size DIN A4 documents

ASSEMBLY

- Fasten to the portal structure
- Any time expandable with **part no. 32.0616/0**
- Extract the front panel during extension and attach it to the last extension element again

SEMI-OPEN COMPARTMENT EXTENSION ELEMENT

Part no. 32.0616/0



TECHN. DATA / ITEMS SUPPLIED

- Steel, powder coated, light grey
- Filling capacity = 15 mm, sufficient for approx. 120 sheets of paper
- Weight = 0.392 kg/piece

APPLICATIONS

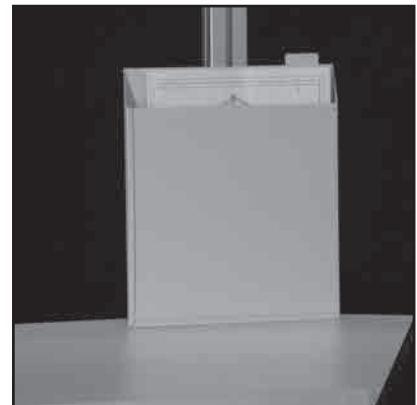
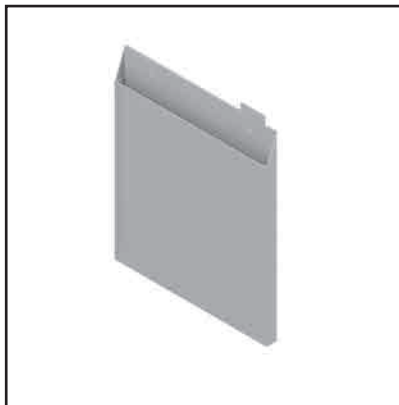
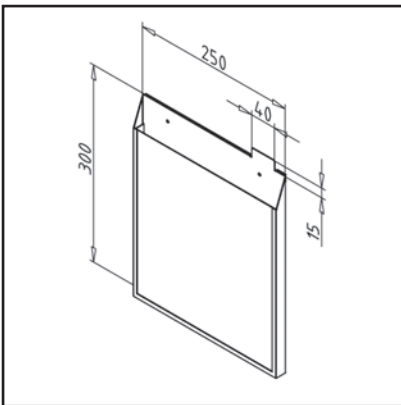
- For size DIN A4 documents

ASSEMBLY

- Place base element on compartment **part no. 32.0615/0**

SEMI-OPEN COMPARTMENT, SINGLE

Part no. 32.0617/0



TECHN. DATA / ITEMS SUPPLIED

- Steel, powder coated, light grey
- With fastening bores \varnothing 4 mm, spacing approx. 16 mm
- With grey closing plate
- Weight = 0.500 kg/piece

APPLICATIONS

- For size DIN A4 documents
- Optional: compartment single element DIN A4 portrait format with transparent locking plate **part no. 32.0619/0**

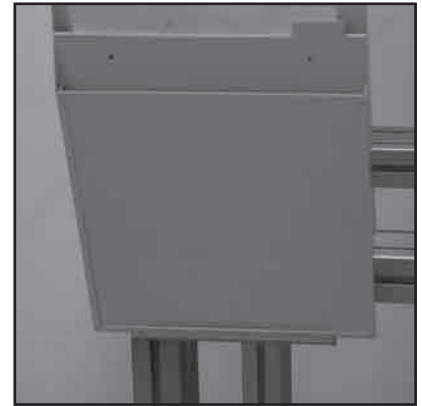
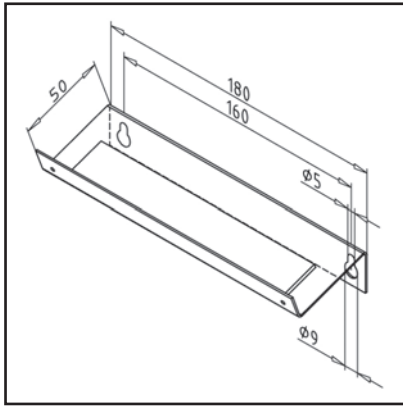
ASSEMBLY

- Attach to the portal structure or use as an extension element for the base element

ADDITIONAL ANGLE FOR VIEWING COMPARTMENT

Part no.

32.0618/0

**TECHN. DATA / ITEMS SUPPLIED**

- Steel light grey, powder coated
- With magnet strips
- Weight = 0.123 kg/piece

APPLICATIONS

- For additional stabilisation on the bottom edge of the semi-open compartments

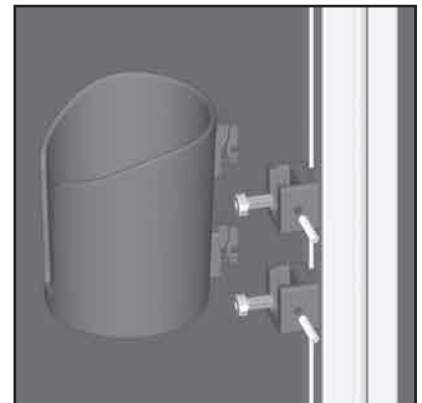
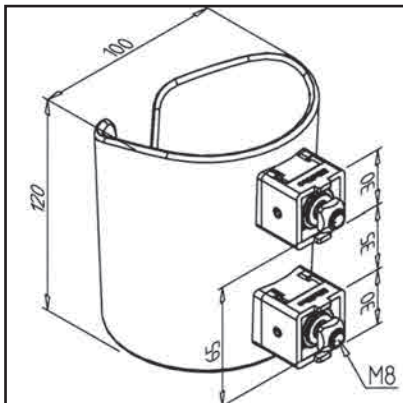
ASSEMBLY

- Fasten to the portal structure

CUP HOLDER

Part no.

32.0547/0

**TECHN. DATA / ITEMS SUPPLIED**

- PA, grey
- Cup with MiniTec company logo
- Fastening kit
- Weight = 0.388 kg/piece

APPLICATIONS

- Cup or bottle holder for workplace systems
- With cut-out for cup handle

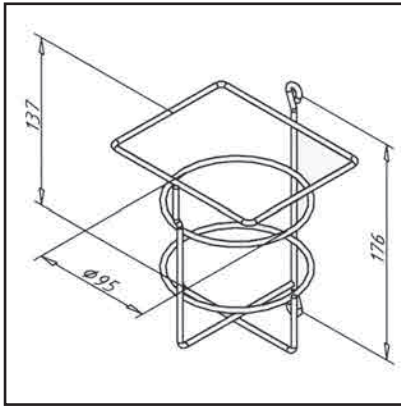
ASSEMBLY

- Fasten rectangular connectors to post profile with supplied hardware at a distance of 35 mm
- Insert cup holder in t-slot
- For adjustment use set screw M5

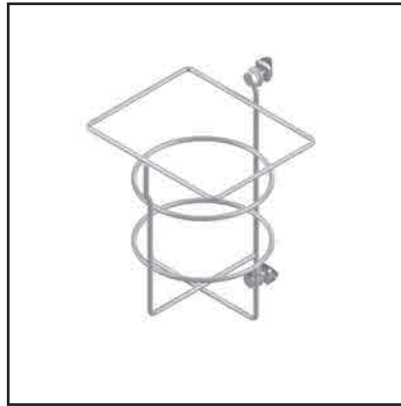
BOTTLES/DRINK CARTON HOLDER

Part no.

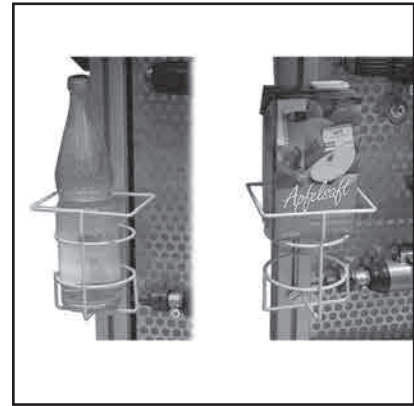
32.0507/0

**TECHN. DATA / ITEMS SUPPLIED**

- Steel wire, coated light grey
- Inside Ø 95 mm
- 2 screws M6 x 16
- 2 square nuts M6 with spring plate
- Weight = 0.195 kg/piece

**APPLICATIONS**

- Commercially available beverage bottles and beverage bags

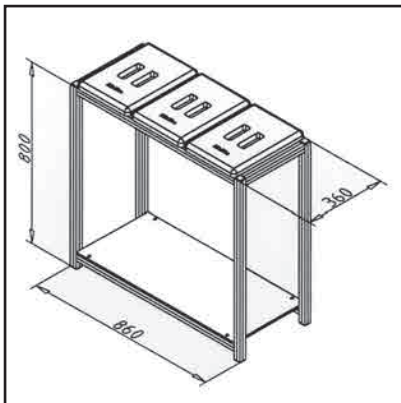
**ASSEMBLY**

- Screw down with fastening material

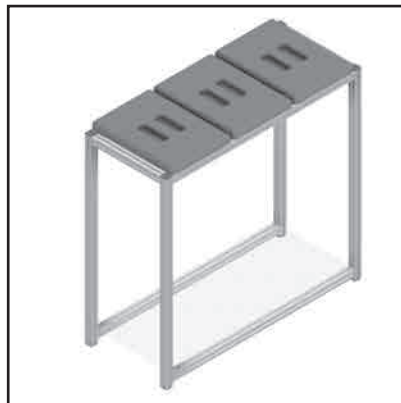
WASTE SEPARATION

Part no.

29.0022/0

**TECHN. DATA / ITEMS SUPPLIED**

- Sturdy frame of profile 30 x 30, anodized E6 / EV1
- Delivery as construction set
- With shelf
- 3 covers ABS, grey
- Weight = 7.023 kg/piece

**APPLICATIONS**

- For separate collection of 3 kinds of recyclable materials
- Just put plastic bags over the screw heads
- Also suitable for outdoor deployment

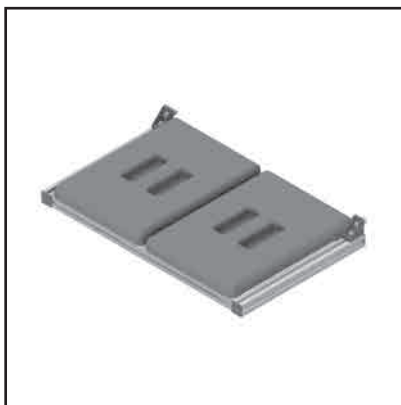
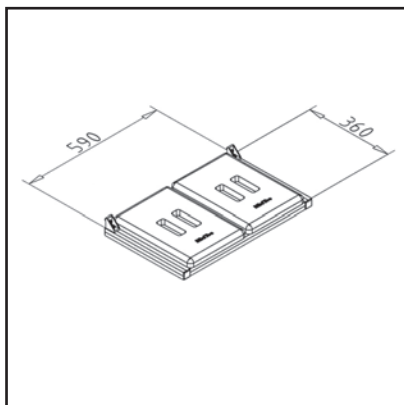
**ASSEMBLY**

- According to enclosed installation instructions

RECYCLABLE MATERIAL COLLECTOR FOR ATTACHMENT

Part no.

32.0024/0



TECHN. DATA / ITEMS SUPPLIED

- Frame made of profile 30 x 30, anodized E6 / EV1
- 2 covers ABS, grey
- 2 mounting angles 25
- Weight = 1.915 kg/piece

APPLICATIONS

- For separate collection of 2 kinds of recyclable materials
- Just put plastic bags over the screw heads

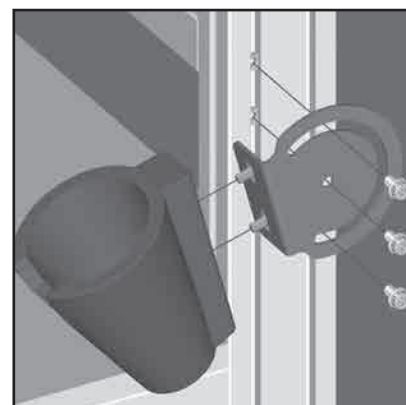
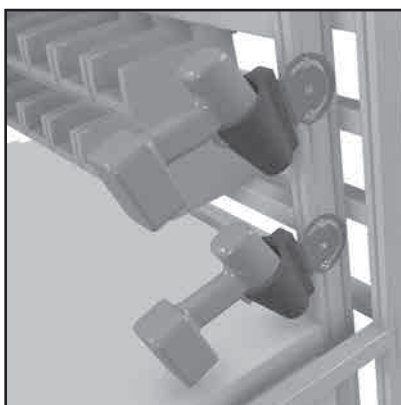
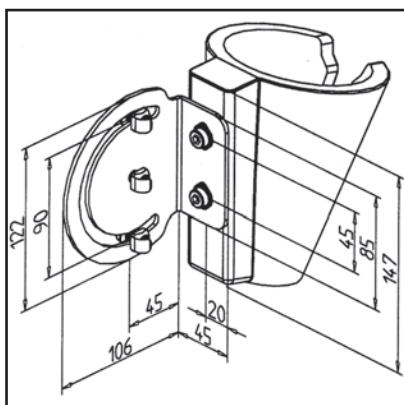
ASSEMBLY

- Attach to profile frame with fastening materials included

TOOL CASE S AS SET

Part no.

26.3001/0



TECHN. DATA / ITEMS SUPPLIED

- Tool quiver, rubber, black
- Swivel bracket, steel, grey, powder-coated
- With fastening material steel, zinc plated
- Weight = 0.830 kg/piece

APPLICATIONS

- For secure storage of drills, battery-operated screwdrivers and other tools
- Adjustable angle

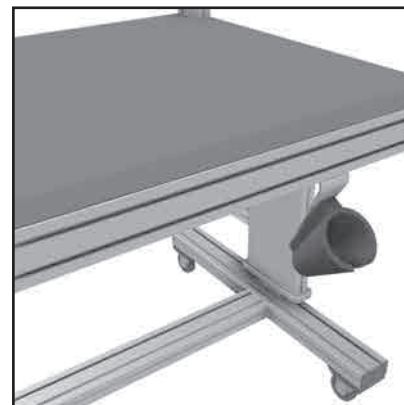
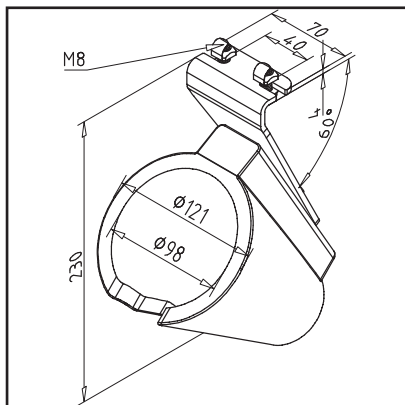
ASSEMBLY

- Fasten to the profile brace with supplied hardware

BASE SET TOOL CASE

Part no.

26.3004/0



TECHN. DATA / ITEMS SUPPLIED

- Tool quiver, rubber, black
- Holder, stainless steel
- With fastening material steel, zinc plated
- Weight = 0.885 kg/piece

APPLICATIONS

- For secure storage of drills, battery-operated screwdrivers and other tools
- For ergonomic provision of tools below the work surface

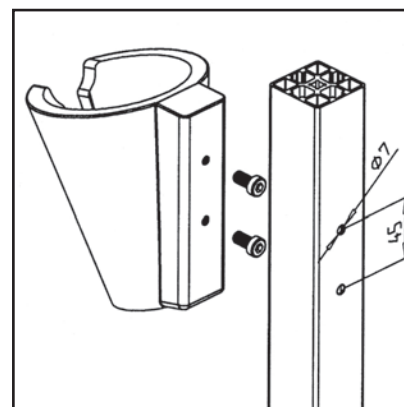
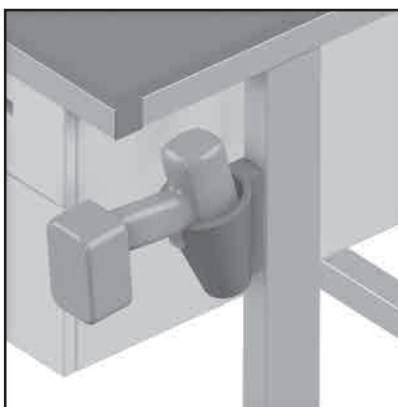
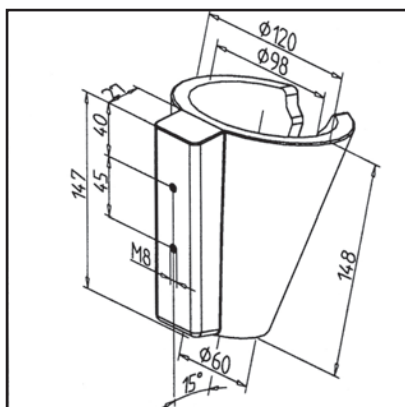
ASSEMBLY

- Fasten to the profile brace with supplied hardware

TOOL CASE S

Part no.

26.3001/1



TECHN. DATA / ITEMS SUPPLIED

- Rubber, black
- Weight = 0.492 kg/piece

APPLICATIONS

- For secure storage of drills, battery-operated screwdrivers and other tools

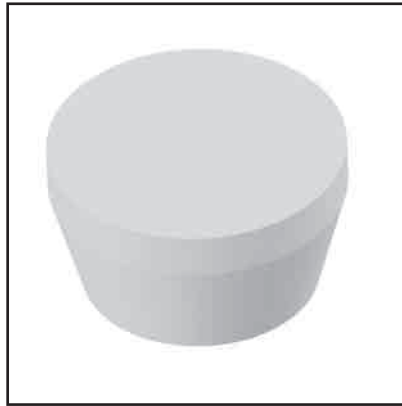
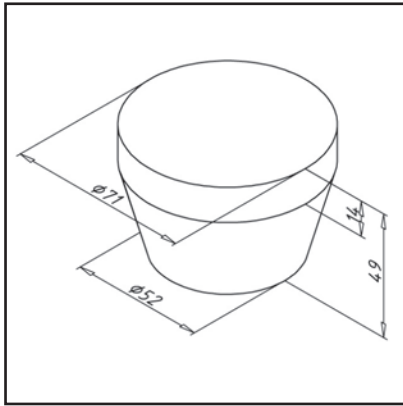
ASSEMBLY

- Drill 2 bores $\varnothing 7$ mm, distance of 45 into profile
- Fasten with screws M8 x 16

ADAPTER FOR TOOL CASE

Part no.

26.3002/0

**TECHN. DATA / ITEMS SUPPLIED**

- POM, white
- Standard: without machining
Optional: with machining eg. aptly drilled or milled for special tools
- Weight = 0.225 kg/piece

APPLICATIONS

- Adapter for rod screwdrivers, special screwdrivers, pneumatic screwdrivers and smaller hand tools

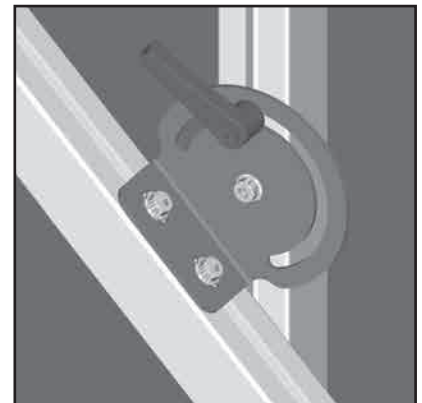
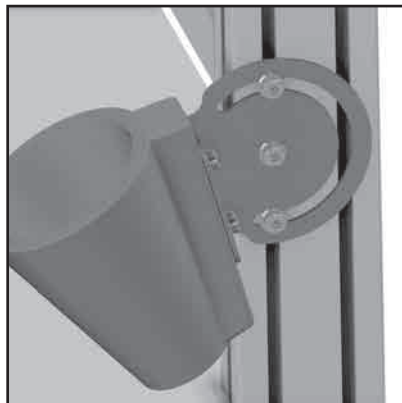
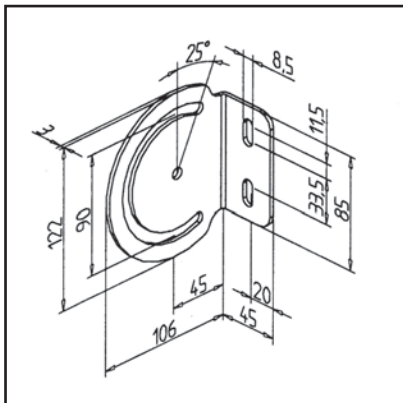
ASSEMBLY

- Press into tool quiver

SWIVEL HOLDER

Part no.

26.3001/2

**TECHN. DATA / ITEMS SUPPLIED**

- Steel, powder-coated, grey
- Powder coated RAL 7012
- Weight = 0.283 kg/piece

APPLICATIONS

- For swiveling attachment of toolboxes, profiles or shelves

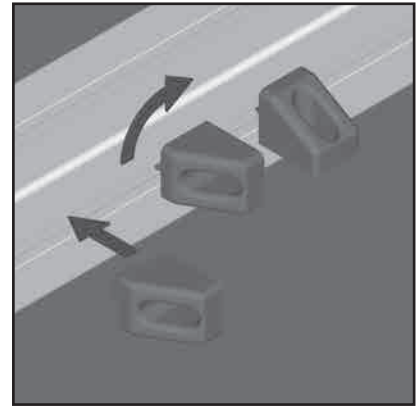
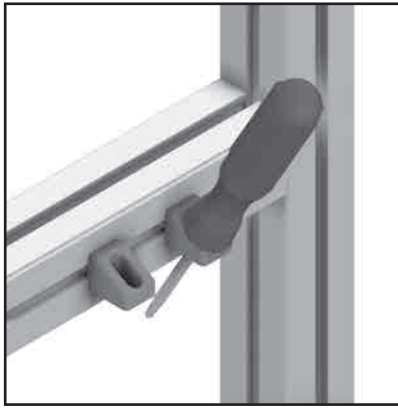
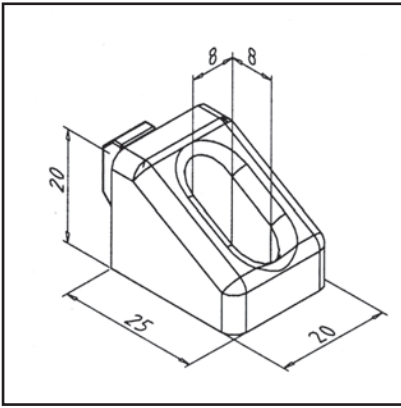
ASSEMBLY

- With screws M8 x 16 or clamping lever and M8 sliding nut

SCREWDRIVER HOLDER

Part no.

32.0502/0



TECHN. DATA / ITEMS SUPPLIED

- PA, Injection Mould, grey
- Weight = 0.006 kg/piece

APPLICATIONS

- Ergonomic storage of screwdrivers at the workbench

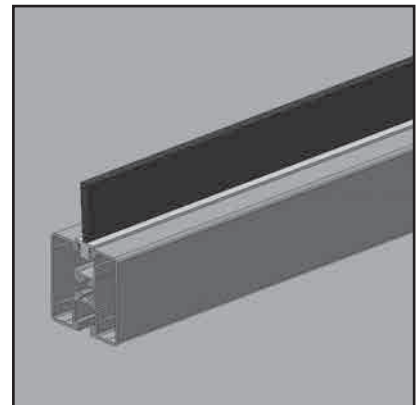
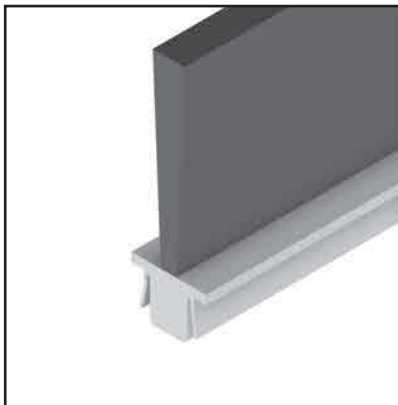
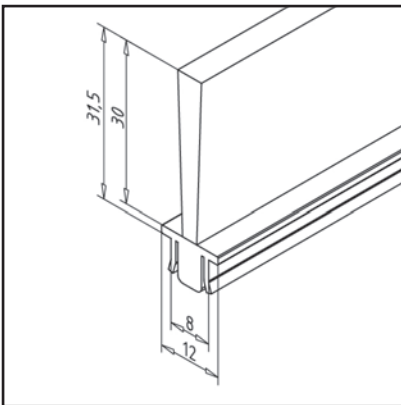
ASSEMBLY

- Push into the groove and then turn 90°

BRUSH STRIP 30

Part no.

22.1150/0



TECHN. DATA / ITEMS SUPPLIED

- PVC strip with brush
- Manufacturing length: 1000 mm
- Weight = 0.128 kg/m

APPLICATIONS

- Sealing of doors, lids
- Static strap cleaning in case of minor soiling
- Guiding and carrying in conveyor technology

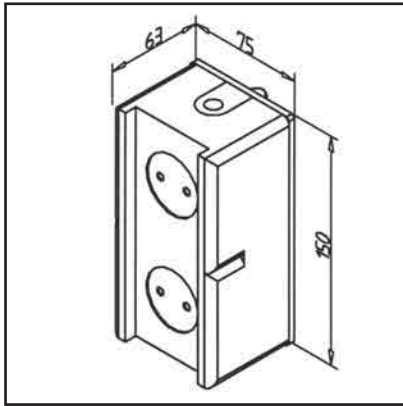
ASSEMBLY

- Insert or clip into profile groove

VERTICAL DOUBLE OUTLET

Part no.

32.0773/0

**TECHN. DATA / ITEMS SUPPLIED**

- Schuko 10 / 16 A 250 V
- IP 44 shatter-proof
- Housing 75 x 75 x 58 mm
- Fastening material
- With adapter plate and screws
- Weight = 0.389 kg/piece

APPLICATIONS

- For power supply at the workplace

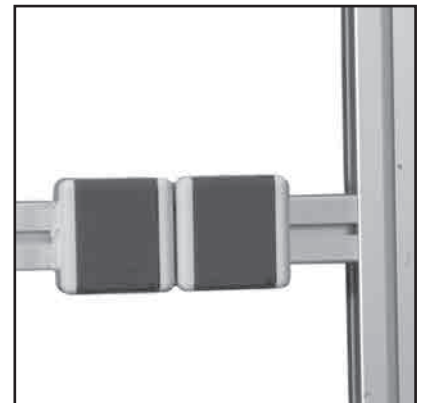
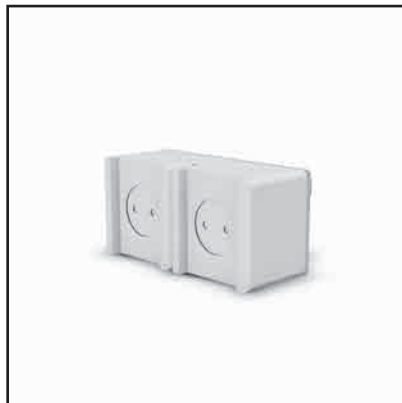
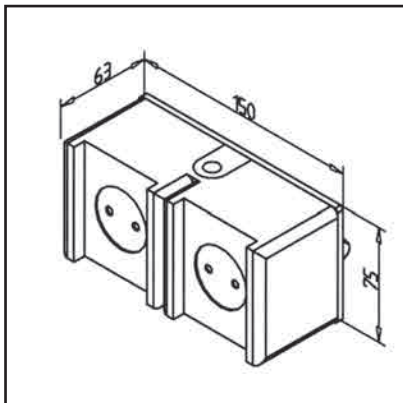
ASSEMBLY

- Attach the adapter plate to the profile
- Fasten double outlet to the adapter plate

HORIZONTAL DOUBLE OUTLET

Part no.

32.0774/0

**TECHN. DATA / ITEMS SUPPLIED**

- Schuko 10 / 16 A 250 V
- IP 44 shatter-proof
- Housing 75 x 75 x 58 mm
- Fastening material
- With adapter plate and screws
- Weight = 0.389 kg/piece

APPLICATIONS

- For power supply at the workplace

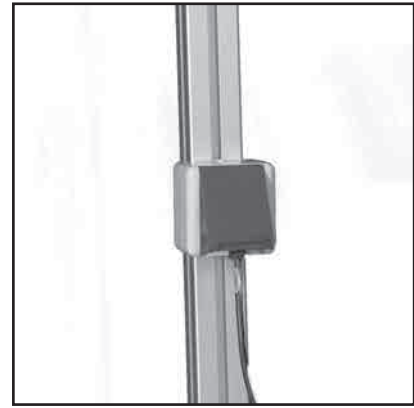
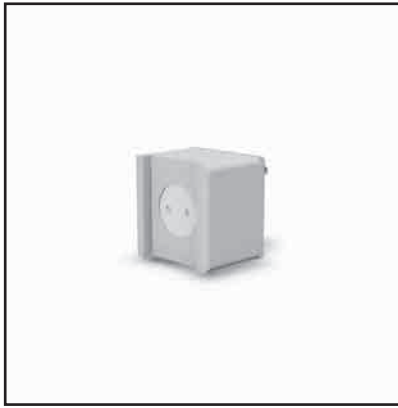
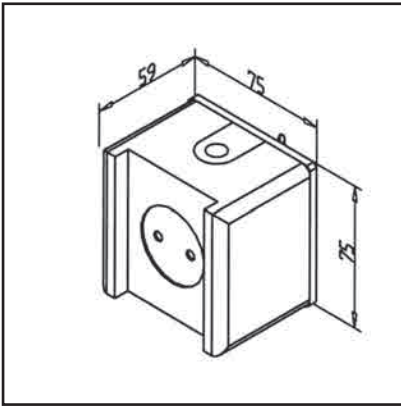
ASSEMBLY

- Attach the adapter plate to the profile
- Fasten double outlet to the adapter plate

POWER OUTLET

Part no.

32.0771/0



TECHN. DATA / ITEMS SUPPLIED

- Schuko 10 / 16 A 250 V
- IP 44 shatter-proof
- Housing 75 x 75 x 58 mm
- With adapter plate and screws
- Weight = 0.211 kg/piece

APPLICATIONS

- For power supply at the workplace

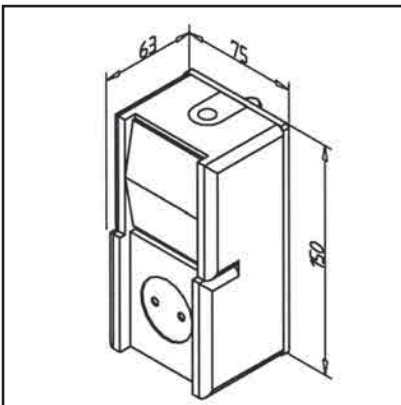
ASSEMBLY

- Attach the adapter plate to the profile
- Fasten double outlet to the adapter plate

TOGGLE SWITCH/POWER OUTLET

Part no.

32.0772/0



TECHN. DATA / ITEMS SUPPLIED

- OFF switch, 10A x 250V
- Schuko 10 / 16 A 250 V, IP 44 shatter-proofed
- Housing 75 x 75 x 58 mm
- Fastening material
- With adapter plate
- Weight = 0.389 kg/piece

APPLICATIONS

- For switching lights on and off

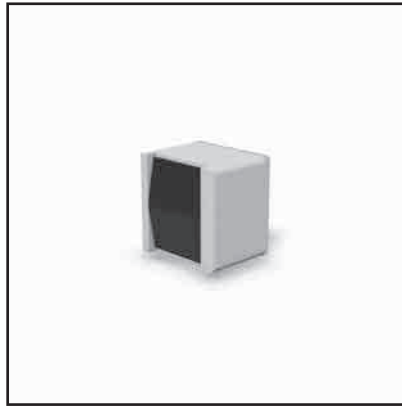
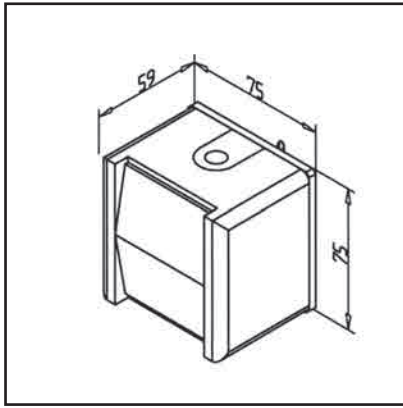
ASSEMBLY

- Attach the adapter plate to the profile
- Fasten the switch on the adapter plate

TOGGLE SWITCH

Part no.

32.0770/0

**TECHN. DATA / ITEMS SUPPLIED**

- OFF switch
- 10A x 250V
- Housing 75 x 75 x 58 mm
- Fastening material
- With adapter plate

- Weight = 0.211 kg/piece

APPLICATIONS

- For switching lights on and off

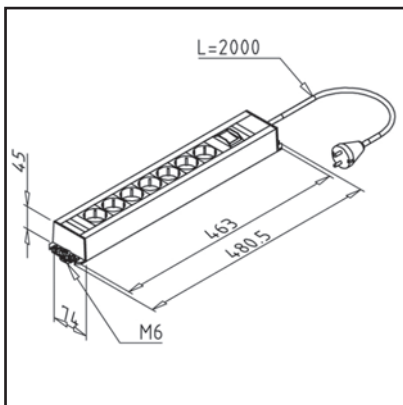
ASSEMBLY

- Attach the adapter plate to the profile
- Fasten the switch on the adapter plate

SOCKET STRIPS 7-FOLD

Part no.

32.0703/0

**TECHN. DATA / ITEMS SUPPLIED**

- 7-fold with additional switch
- Rocker switch, illuminated
- Cable length 2 m
- Max. 3500W / 16A / 230V
- Weight = 0.858 kg/piece

APPLICATIONS

- Oblique socket arrangement

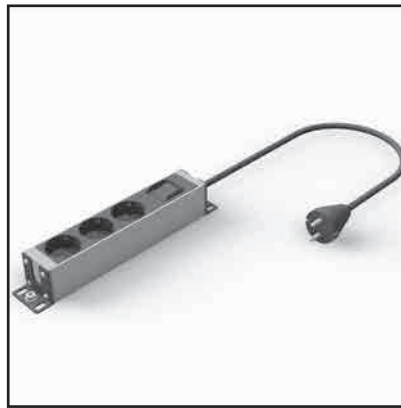
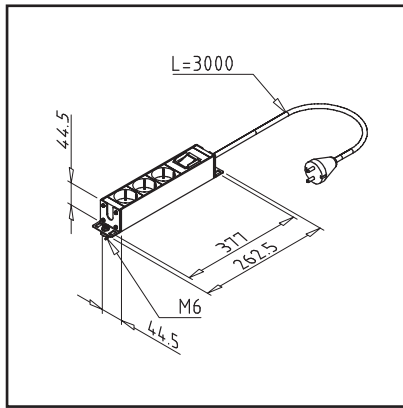
ASSEMBLY

- Fasten to profile groove with supplied hardware

SOCKET STRIP ALU 3-FOLD

Part no.

32.0704/0



TECHN. DATA / ITEMS SUPPLIED

- Rocker switch, illuminated
- Max. 3500W / 16A / 230V
- Cable length 3 m
- Housing Aluminum natural anodized
- Weight = 0.718 kg/piece

APPLICATIONS

- Oblique socket arrangement

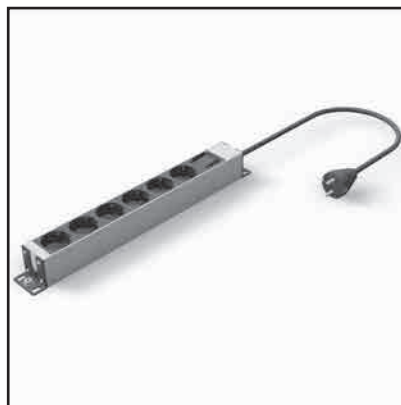
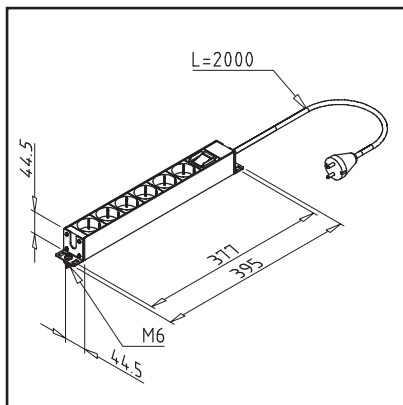
ASSEMBLY

- Fasten to profile groove with supplied hardware

SOCKET STRIP ALU 6-FOLD

Part no.

32.0705/0



TECHN. DATA / ITEMS SUPPLIED

- Housing Aluminum natural anodized
- Rocker switch, illuminated
- Max. 3500W / 16A / 230V
- Cable length 2 m
- Weight = 0.848 kg/piece

APPLICATIONS

- Oblique socket arrangement

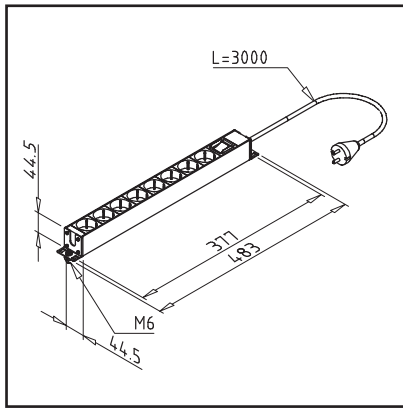
ASSEMBLY

- Fasten with fastening material to profile groove

SOCKET STRIP ALU 8-FOLD

Part no.

32.0706/0

**TECHN. DATA / ITEMS SUPPLIED**

- Rocker switch, illuminated
- Max. 3500W / 16A / 230V
- Cable length 3 m
- Housing Aluminum natural anodized
- Weight = 0.848 kg/piece

APPLICATIONS

- Oblique socket arrangement

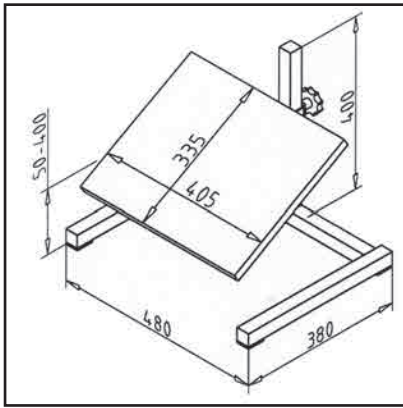
ASSEMBLY

- Fasten to profile groove with supplied hardware

FOOT REST ECO

Part no.

32.0155/0



TECHN. DATA / ITEMS SUPPLIED

- Stable tubular steel frame made of 30 mm square tube
- Fully assembled
- Foot rest: Grooved anti skid rubber
- W x L x H= 400 x 330 x 410 mm
- ESD on request
- Height-adjustable and inclinable
- Inclination adjustable by foot
- Free-standing
- Weight = 5.700 kg/piece

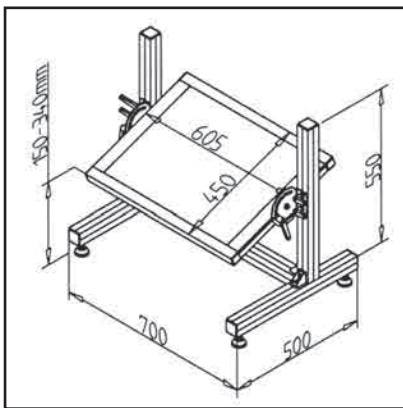
APPLICATIONS

- Facilitates proper sitting at the table

FOOT REST STANDARD

Part no.

32.0160/0



TECHN. DATA / ITEMS SUPPLIED

- Base construction profile 45x45 under tables, workstations
- Fully assembled
- Footrest: chipboard, coated, basalt grey, oil resistant
- ESD on request
- Height and inclination manually adjustable
- Free-standing
- Weight = 9.475 kg/piece

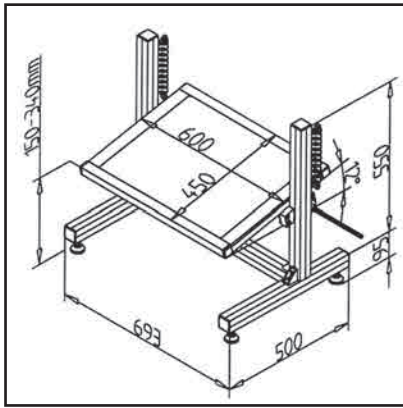
APPLICATIONS

- Facilitates proper sitting at the table

FOOT REST COMFORT

Part no.

32.0165/0

**TECHN. DATA / ITEMS SUPPLIED**

- Base construction profile 45x45 under tables, workstations
- Fully assembled
- Footrest: chipboard, coated, basalt grey, oil resistant
- ESD on request
- Spring-tensioned height adjustment, height adjustable from seating position
- Free-standing
- Weight = 10.200 kg/piece

APPLICATIONS

- Facilitates proper sitting at the table

PNEUMATICS



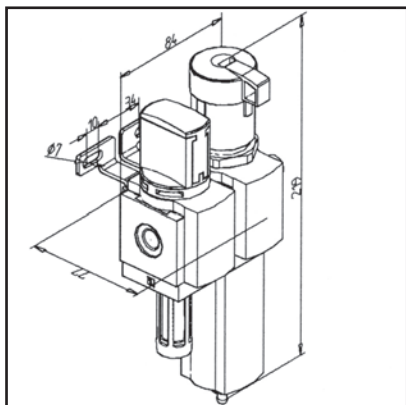
Compressed air is often used in the workplace systems for the operation of pneumatic cylinders in mounting devices or for the drive of compressed air tools. In order to minimize contamination at the workplace and to keep the health burden on employees as low as possible, one should always try to work with clean and dry compressed air.



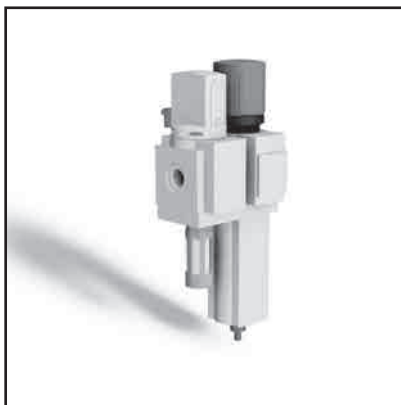
FILTER REGULATOR AND MANUAL START-UP VALVE

Part no.

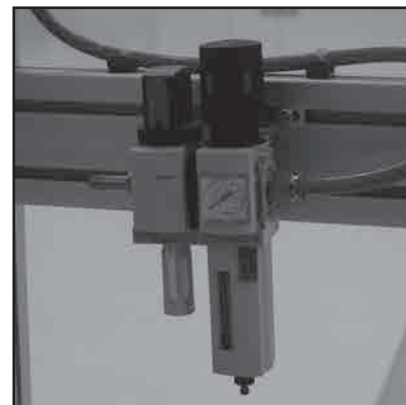
32.0580/0

**TECHN. DATA / ITEMS SUPPLIED**

- The compressed air service module consists of: Manual start-up valve with ventilation via filter, filter regulator, rotary knob with integrated lock and manometer
- Filter mesh 40 µm
- Condensate drain
- Pressure control range: 1-12 bar
- Connection inlet 1/4" thread
- Connection outlet connector system hose D=10 mm
- Standard nominal flow 800 - 1.400 l/min
- Weight = 0.575 kg/piece

**APPLICATIONS**

- Compressed air provision on the work table

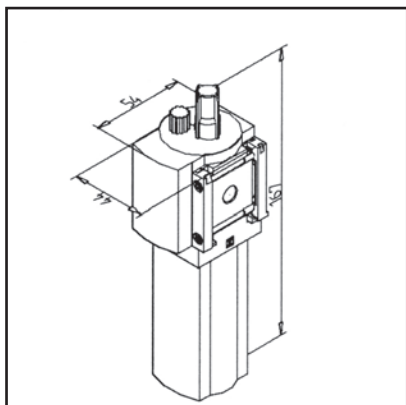
**ASSEMBLY**

- 2x Cyl. Screw M6 x 12 **part no. 21.1143/0**
- 2x square nuts M6 x 13 with retaining plate **part no. 21.1330/2**

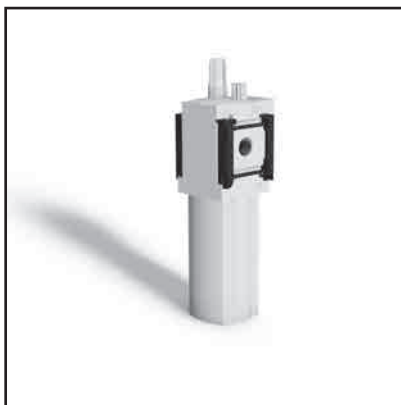
LUBRICATOR

Part no.

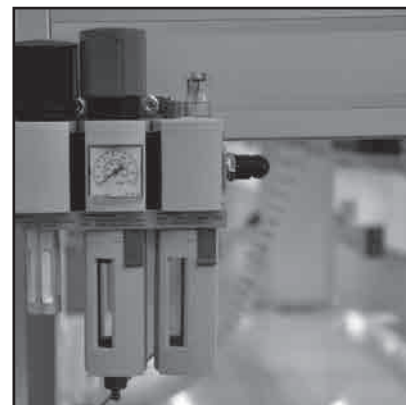
32.0581/0

**TECHN. DATA / ITEMS SUPPLIED**

- Proportional lubricator with precise oil dosing
- Easy and fast to refill
- Weight = 0.225 kg/piece

**APPLICATIONS**

- Micro-mist oil for compressed air

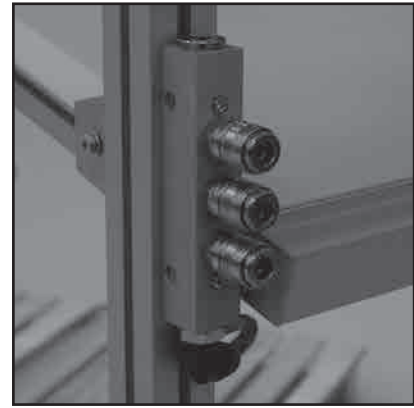
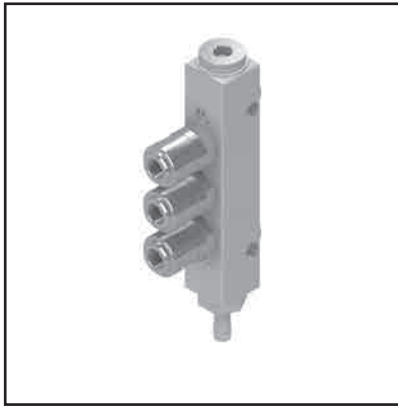
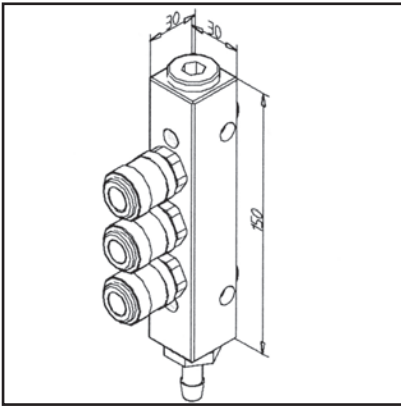
**ASSEMBLY**

- Attach to the filter regulator with the enclosed coupling package

PNEUMATIC 3-WAY DISTRIBUTOR

Part no.

32.0901/0



TECHN. DATA / ITEMS SUPPLIED

- Aluminium housing
- 1x connection hose nozzle for hose NW 9
- 3x quick-connect NW 7
- Operating range 0-10 bar
- Temperature range -10 to +70°C
- Connection with push-on fitting on request
- Weight = 0.665 kg/piece

APPLICATIONS

- Compressed air distribution at the workplace
- Fast connection and disconnection of pressurized compressed air lines
- Plug nipple rotatable in the coupling

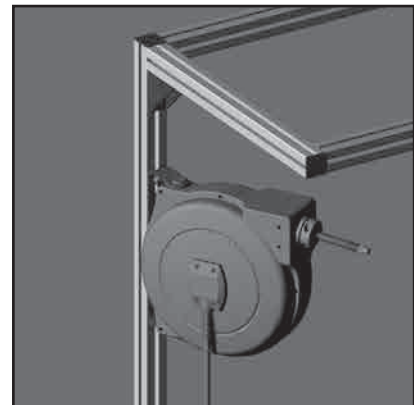
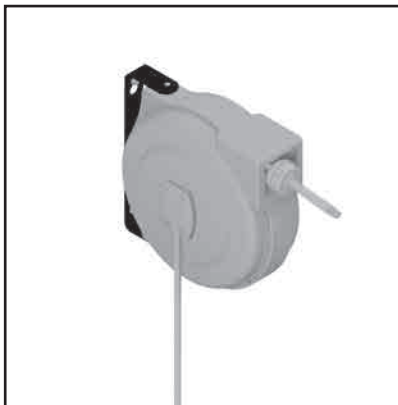
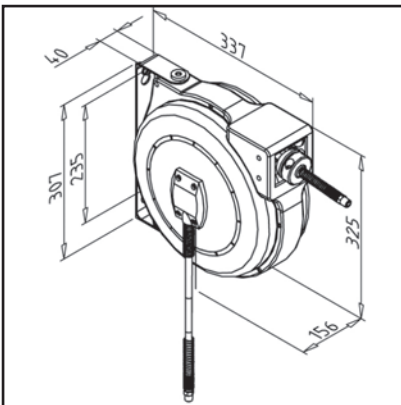
ASSEMBLY

- Fasten to profile with supplied hardware
- Push on hose and secure with suitable hose clamp

AUTOM. HOSE REEL

Part no.

32.0583/0



TECHN. DATA / ITEMS SUPPLIED

- Plastic, blue/ black
- 1x hose recoiler with PU-hose and stopper incl. 1m connecting hose
- Dimensions (LxWxH) 325 x 275 x 185 mm
- Hose length 8 m
- Connection In/outlet 1/4"
- max. pressure 10 bar
- Weight = 3.433 kg/piece

APPLICATIONS

- Automatic hose reel made of plastic
- Multiple arrester per turn
- disengageable locking

ASSEMBLY

- Fasten to profile with supplied hardware

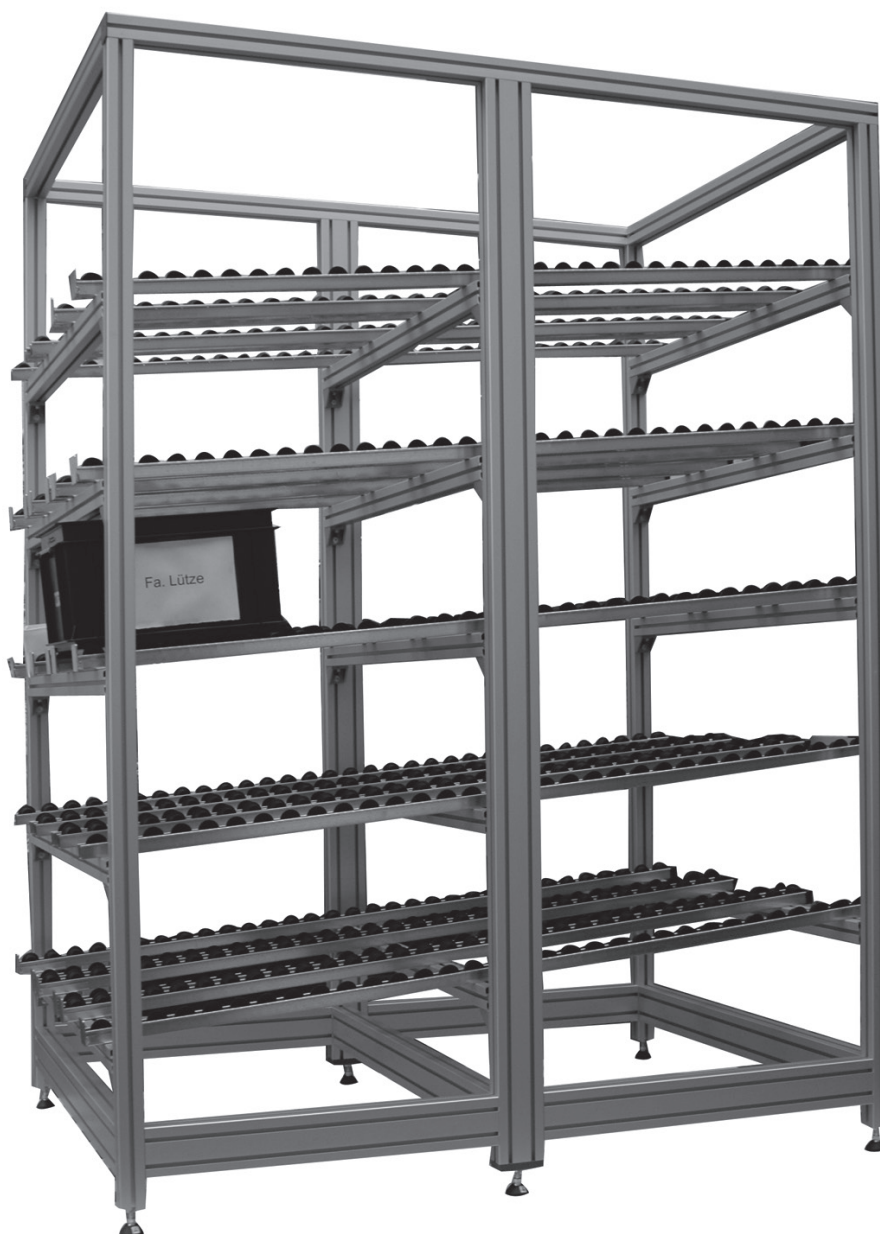
KANBAN-SYSTEM

Low stock levels and avoidance of waste are constant challenges in mass production. With consumption-based disposition procedures according to the kanban principle, these goals can be achieved with simple means. The required parts in production are requested by the consuming point in the production process with a simple kanban card from the upstream stage. The card is usually located on the material and triggers a production order when the minimum stock is reached. In order to ensure the consumption-controlled production and thus the minimization of stocks, no order may be started without this kanban card. The products are provided directly at the point of consumption in so-called kanban shelves. These shelves are equipped with inclined roller conveyors, which transport by gravity the containers or products to the collection point. The shelves are loaded from the back. The size of the shelves depends on the stock at the workplace determined according to kanban rules. So that the containers are transported safely and

gently on the shelf, the inclination of the roller tracks is easily adjustable. To avoid damage caused by impacts, brake plates or brake rollers are available which are easy to assemble. Especially with higher weights, the use of these brake plates may be required. All components required to build customized kanban shelves are available in our product range.

Especially suitable for the management of small parts according to the kanban principle is our Kantainer.

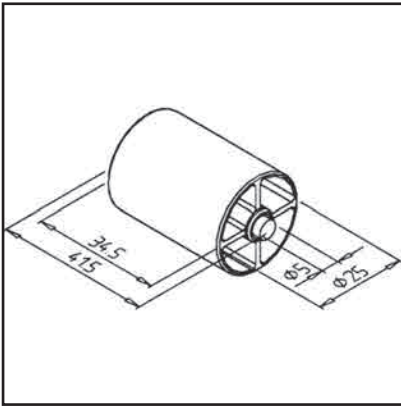
(Part no. 32.0870/0)



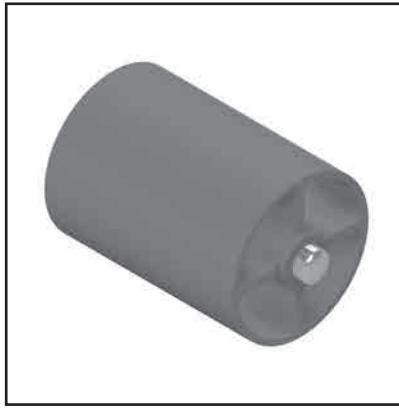
CONVEYOR ROLLER D 25

Part no.

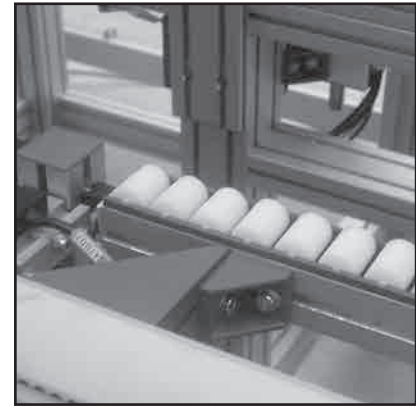
21.1701/0

**TECHN. DATA / ITEMS SUPPLIED**

- ABS, blue
- Axle $\varnothing 5$, stainless steel
- Bearing capacity per roller 20 N
- For higher loads use Pulley D 25 compact **part no. 21.1703/0**
- Weight = 0.008 kg/piece

**APPLICATIONS**

- Production of small roller conveyors in connection with profile 45 x 45 R, **part no. 20.1046/0**

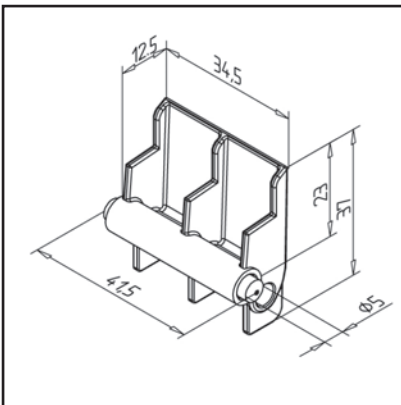
**ASSEMBLY**

- Press rollers in desired number and pitch into roller carrier
- Roller carrier 45 x 45 R with cover **part no. 22.1151/0**
- Roller carrier 45 x 45 R with SF cover **part no. 22.1152/0**

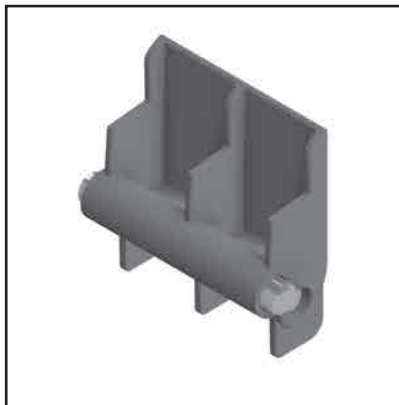
RETURN STOP

Part no.

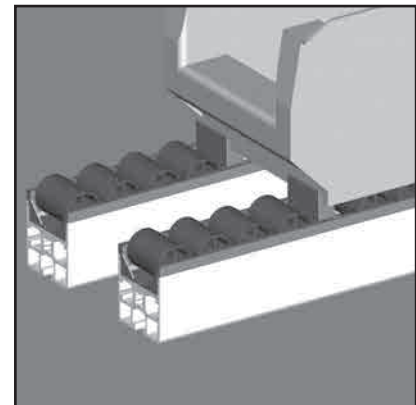
32.0586/0

**TECHN. DATA / ITEMS SUPPLIED**

- ABS, grey
- Weight = 0.015 kg/piece

**APPLICATIONS**

- used for decline-roller conveyors to prevent transported material from running back
- in combination with pulley carrier 45x45R

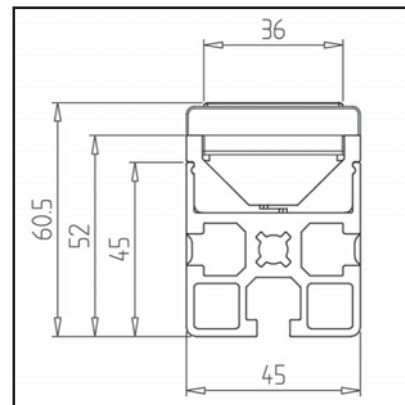
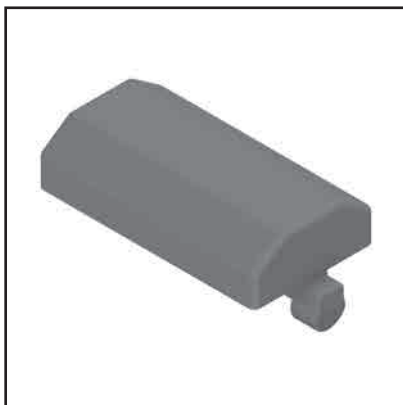
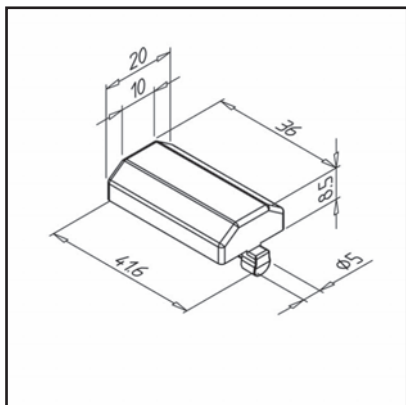
**ASSEMBLY**

- Clip into the roller carrier instead of a roller

ROLLER CARRIER BACKING PADS

Part no.

21.0940/0

**TECHN. DATA / ITEMS SUPPLIED**

- POM, grey RAL 7012
- Suitable for roller carrier
- Weight = 0.004 kg/piece

APPLICATIONS

- For use in roller carriers instead of D25 roller for braking transport material
- To prevent a roll away on the installation site

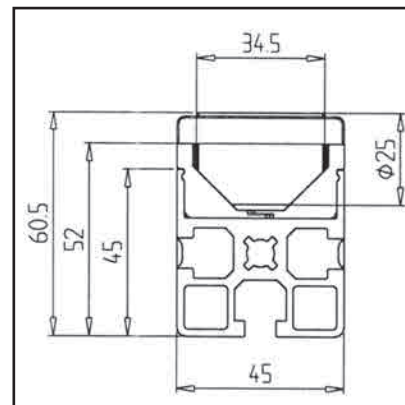
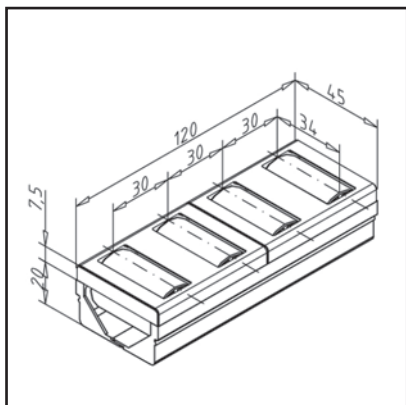
ASSEMBLY

- Clip into the roller carrier instead of a roller

ROLLER CARRIER 45 X 45 R WITH COVER

Part no.

22.1151/0

**TECHN. DATA / ITEMS SUPPLIED**

- POM, grey
- 2 x pulley carriers base part POM-RAL 7012, **part no. 22.1126/0**
- 1 x Cover POM-RAL 7012 - **part no. 22.1127/0**
- 4 x pulley carriers ABS blue, **part no. 21.1701/0**
- Length: 120 mm
- Weight = 0.076 kg/piece

APPLICATIONS

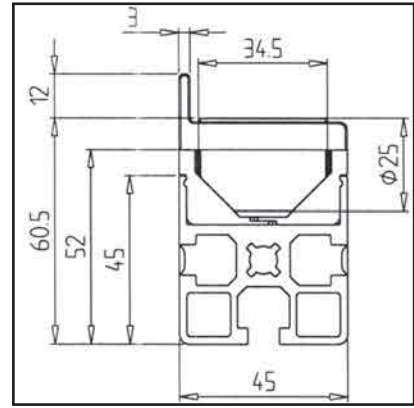
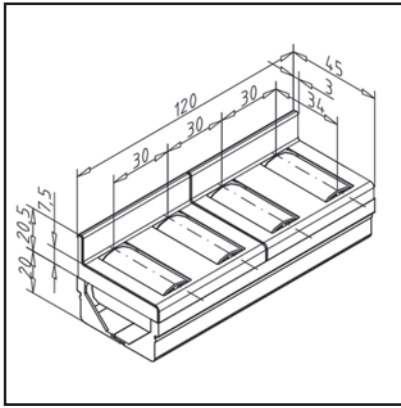
- Production of small roller conveyors in connection with profile 45 x 45 R, **part no. 20.1046/0**

ASSEMBLY

- Insert roller carrier in profile
- Insert conveyor rollers
- Clipoff cap

ROLLER CARRIER 45 X 45 R WITH SF COVER

Part no. 22.1152/0



TECHN. DATA / ITEMS SUPPLIED

- POM, grey
- 2 x pulley carriers base part POM-RAL 7012, **part no. 22.1126/0**
- 1 x cover POM-RAL 7012, **part no. 22.1128/0**
- 4 x pulley carriers ABS blue, **part no. 21.1701/0**
- Length: 120 mm
- Weight = 0.083 kg/piece

APPLICATIONS

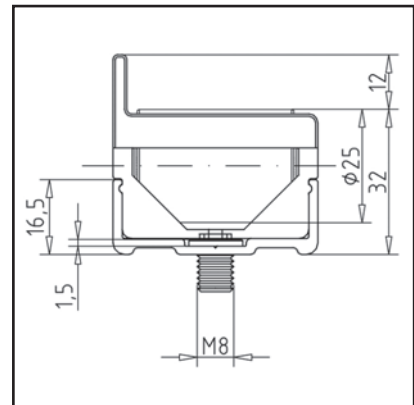
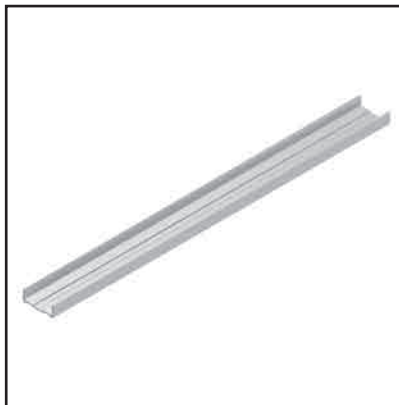
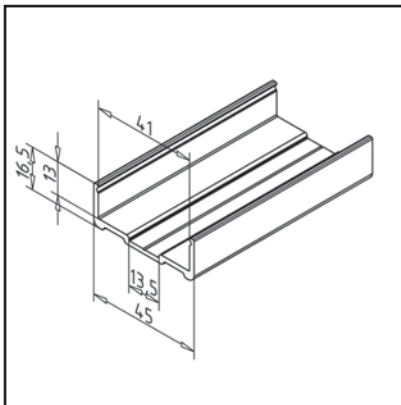
- Production of small roller conveyors in connection with profile 45 x 45 R, **part no. 20.1046/0**

ASSEMBLY

- Insert roller carrier in profile
- Insert conveyor rollers
- Clipoff cap

CARRIER PROFILE 45 R

Part no. 20.1133/0



TECHN. DATA / ITEMS SUPPLIED

- Aluminium, anodized E6/EV1
- $I_x = 0.289 \text{ cm}^4$
- $I_y = 0.428 \text{ cm}^4$
- $w_x = 0.128 \text{ cm}^3$
- $w_y = 0.966 \text{ cm}^3$
- Weight = 0.414 kg/m
- Bar length = 6 m

APPLICATIONS

- For the manufacture of miniature roller tracks
- For use with the following roll carriers:
roll carrier 45 x 45R with cover **part no. 22.1151/0**
Roller carrier 45 x 45R with SF cover **part no. 22.1152/0**

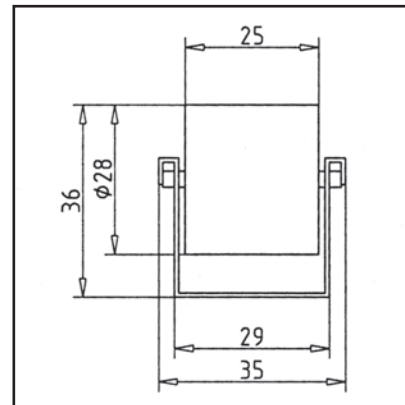
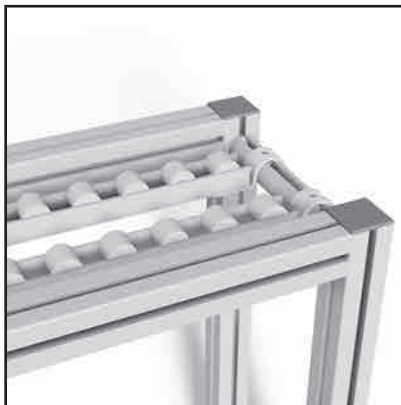
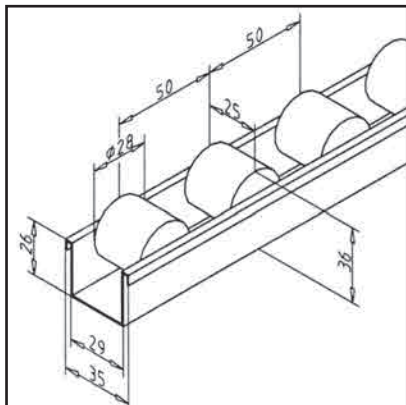
ASSEMBLY

- Bore $\varnothing 8,5$ bring in desired positions
- Assemble with pan head screw **part no. 21.1666/0** and sliding nut 08 with spring sheet **part no. 21.1351/2**
- Put in desired roller carrier

MINIATURE ROLLER STRIP WITH CYL. MINIATURE ROLLER

Part no.

32.0550/0



TECHN. DATA / ITEMS SUPPLIED

- Length according to costumers specification
- max. length 6 m
- Division 50 mm
- Supporting profile: Steel, zinc plated
- Roller colour: yellow
- Weight = 0.595 kg/m

APPLICATIONS

- The rollers can be used over a temperature range from -30°C up to +100°C
- **part no. 32.0555/0** highly conductive roller to avoid electrostatic charge. Roller colour: black

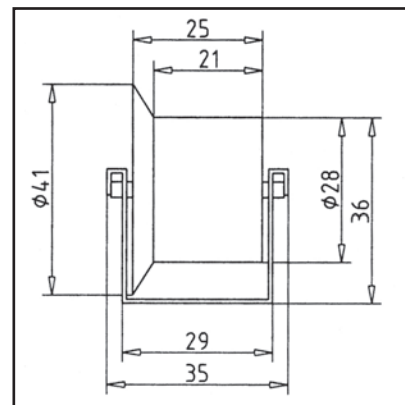
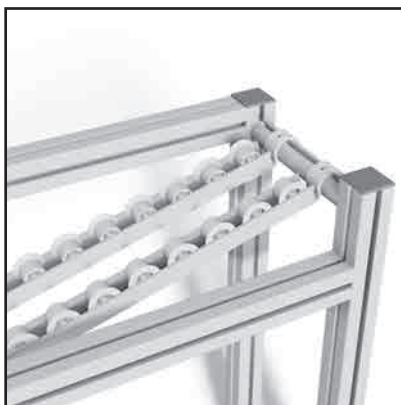
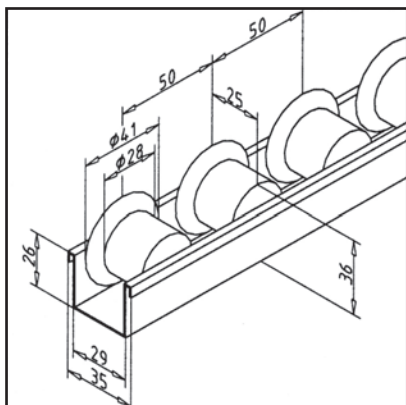
ASSEMBLY

- Fasten with fastening **part no. 32.0574/0** and end stop **part no. 32.0569/0** onto profile
- With screws directly on the carrier profile

MINIATURE ROLLER STRIP WITH MINIATURE FLANGE ROLLERS

Part no.

32.0560/0



TECHN. DATA / ITEMS SUPPLIED

- Length according to costumers specification
- max. length 6 m
- Division 50 mm
- Supporting profile: Steel, zinc plated
- Roller colour: yellow
- Weight = 0.615 kg/m

APPLICATIONS

- The rollers can be used over a temperature range from -30°C up to +100°C
- **Part no. 32.0565/0** Highly conductive wheels to prevent static charges. Roller colour: black

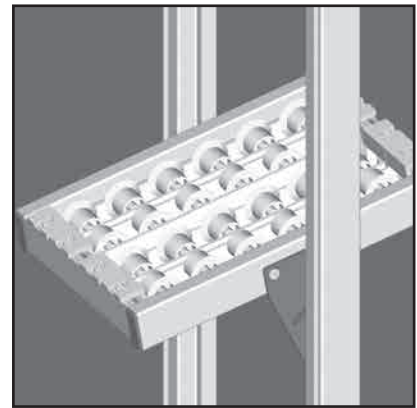
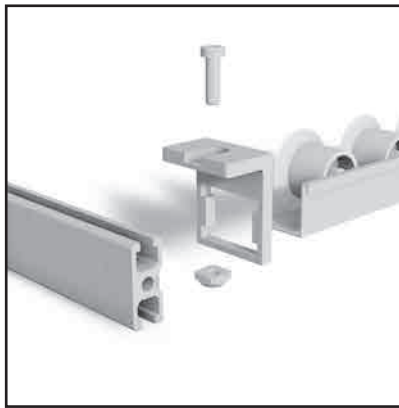
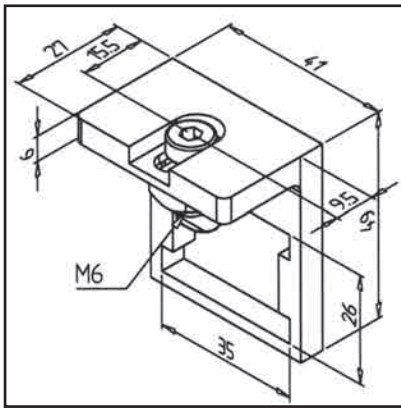
ASSEMBLY

- Fasten with fastening **part no. 32.0574/0** and end stop **part no. 32.0569/0** onto profile
- With screws directly on the carrier profile

BRACKET FOR MINIATURE ROLLER STRIP 19

Part no.

32.0575/0



TECHN. DATA / ITEMS SUPPLIED

- Steel, galvanized
- Fastening kit
- Thickness 6 mm
- Weight = 0.095 kg/piece

APPLICATIONS

- For attaching miniature roller strip to profiles 19 and 32
- Holder also serves as bedstop
- also available for profile 30 serie (see **part nr. 32.0575/1**)
- Fitting for all profiles of profile series 45

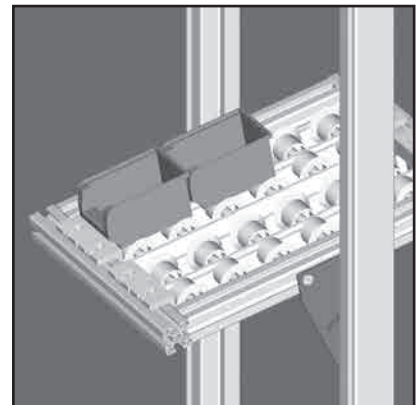
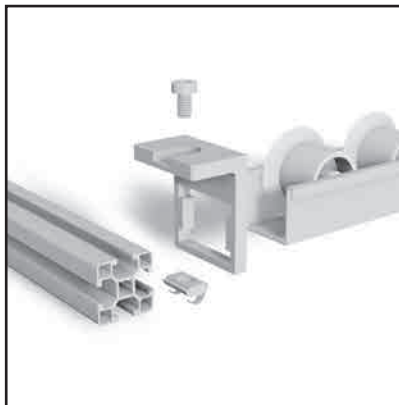
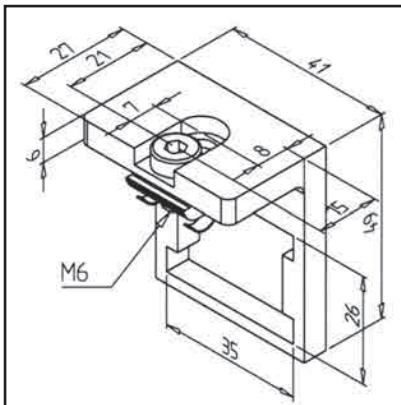
ASSEMBLY

- Cut out the miniature roller strip
- Insert the miniature roller strip into the holder and screw it to the profile using the fastening material included

BRACKET FOR MINIATURE ROLLER STRIP 30

Part no.

32.0575/1



TECHN. DATA / ITEMS SUPPLIED

- Steel, galvanized
- Fastening kit
- Thickness 6 mm
- Weight = 0.092 kg/piece

APPLICATIONS

- For fastening roller bars
- Fitting for all profiles of profile series 30

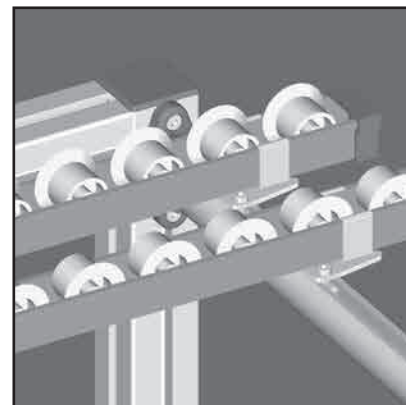
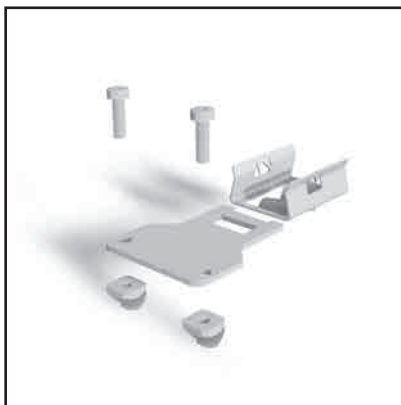
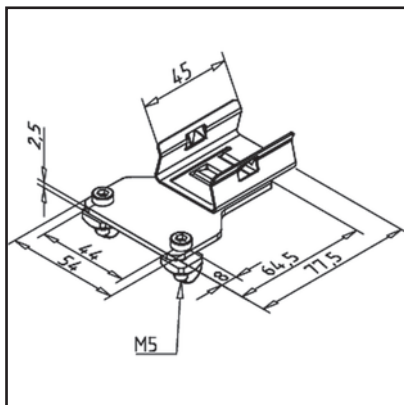
ASSEMBLY

- Cut out the miniature roller strip
- Insert the miniature roller strip into the bracket; screw it to the profile using the fastening material included

ROLLER STRIP FASTENING

Part no.

32.0574/0



TECHN. DATA / ITEMS SUPPLIED

- Stainless steel
- Thickness 3 mm
- With fastening material and spring clip for miniature roller strip
- Weight = 0.091 kg/piece

APPLICATIONS

- For attaching miniature roller strip without machining
- Fitting for all profiles of profile series 45

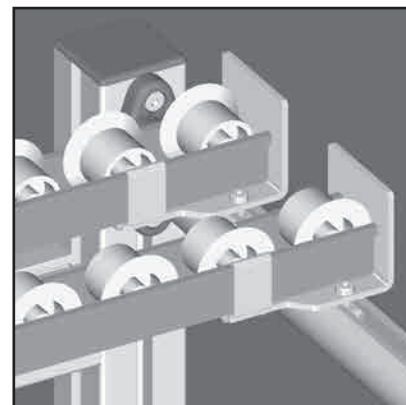
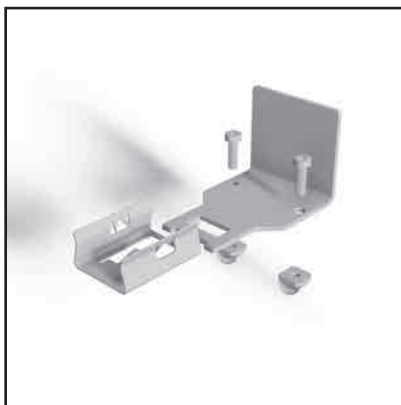
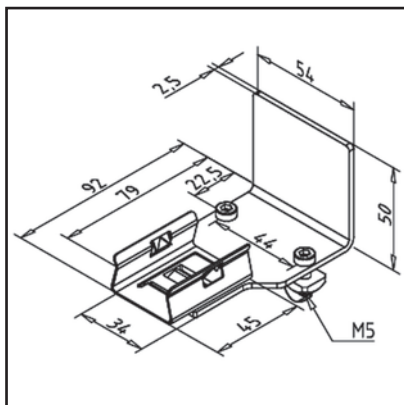
ASSEMBLY

- For roller conveyors use handle profile **part no. 20.1088/0** in connection with flange bearing 32 **part no. 22.1016/0** or clip 32 **part no. 22.1022/0**

END STOP MINIATURE ROLLER STRIP

Part no.

32.0569/0



TECHN. DATA / ITEMS SUPPLIED

- Steel
- Stainless steel end stop
- Thickness 3 mm
- With fastening material and spring clip for miniature roller strip
- Weight = 0.166 kg/piece

APPLICATIONS

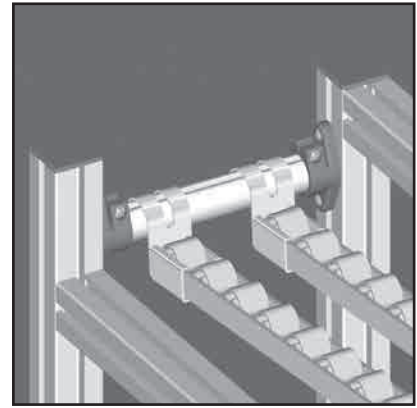
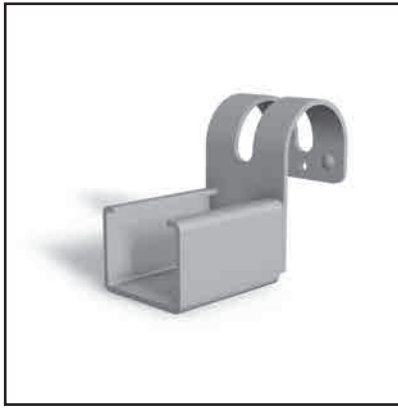
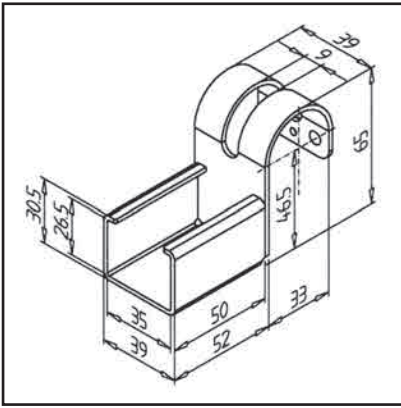
- Use as end stop for miniature roller strip
- Install without drilling
- Fitting for all profiles of profile series 45

ASSEMBLY

- Fasten to any profile groove with the fastening material provided
- For roller conveyors use handle profile **part no. 20.1088/0** in connection with flange bearing 32 **part no. 22.1016/0** or clip 32 **part no. 22.1022/0**

MINIATURE ROLLER STRIP BRACKET H

Part no. 32.0553/0



TECHN. DATA / ITEMS SUPPLIED

- Steel, galvanized
- Thickness: 2 mm
- Weight = 0.141 kg/piece

APPLICATIONS

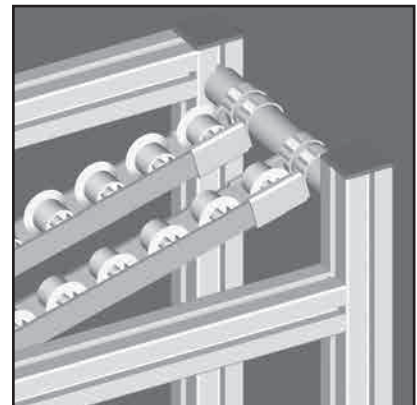
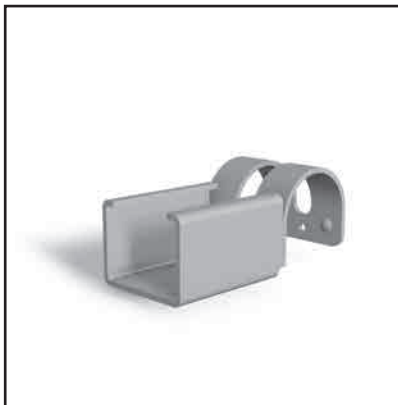
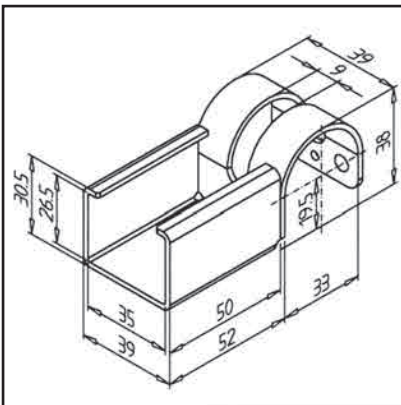
- For attaching roller tracks to grip profile 32
part no.: 20.1088/0
- used as end stop for e.g. containers

ASSEMBLY

- Cut out the miniature roller strip
- Attach bracket to the miniature roller strip
- Hang over handle profile 32
- If necessary, the bracket can be secured with a setscrew

MINIATURE ROLLER STRIP BRACKET F

Part no. 32.0554/0



TECHN. DATA / ITEMS SUPPLIED

- Steel, galvanized
- Thickness: 2 mm
- Weight = 0.124 kg/piece

APPLICATIONS

- For attaching roller tracks to grip profile 32
part no.: 20.1088/0
- Height of edges on the bracket corresponds the travelling height of rollers

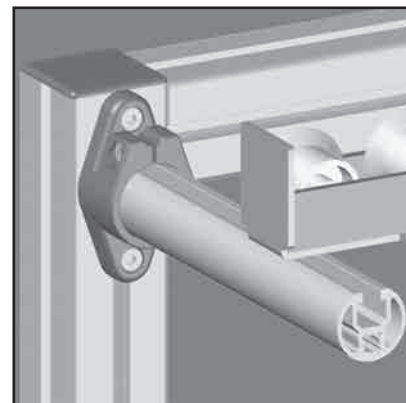
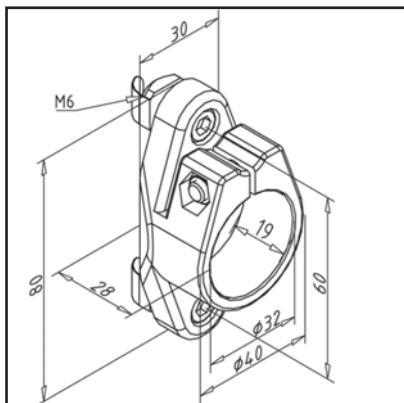
ASSEMBLY

- Cut out the miniature roller strip
- Attach bracket to the miniature roller strip
- Hang over handle profile 32
- If necessary, the bracket can be secured with a setscrew

FLANGE BEARING 32

Part no.

22.1016/0

**TECHN. DATA / ITEMS SUPPLIED**

- ABS, grey
- Fastening kit
- Weight = 0.050 kg/piece

APPLICATIONS

- For angle-adjustable assembly of handle profile 32 for roller track **part no. 20.1088/0**

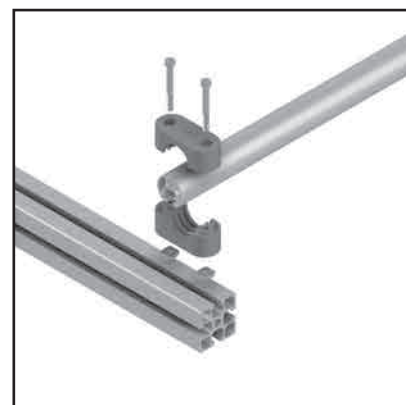
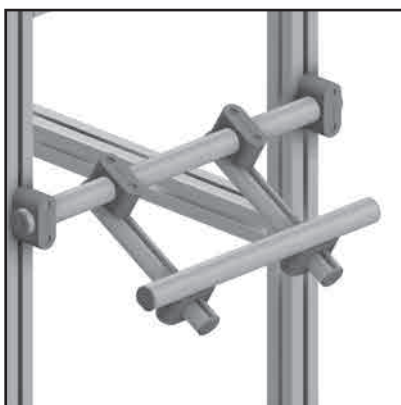
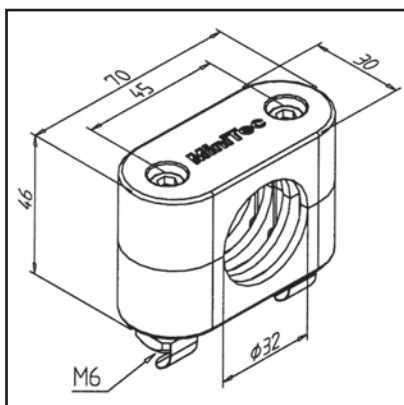
ASSEMBLY

- Use fastening kit to fasten to base frame
- Push in handle profile 32 and clamp using screws

GRIP PROFILE CLAMP 32

Part no.

22.1022/0

**TECHN. DATA / ITEMS SUPPLIED**

- ABS, grey
- Fastening kit
- Weight = 0.036 kg/piece

APPLICATIONS

- For handle profile 32 **part no. 20.1088/0**
- Handle with adjustable angle
- Simple equipment and frames

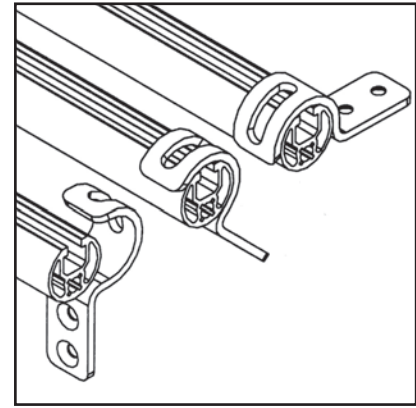
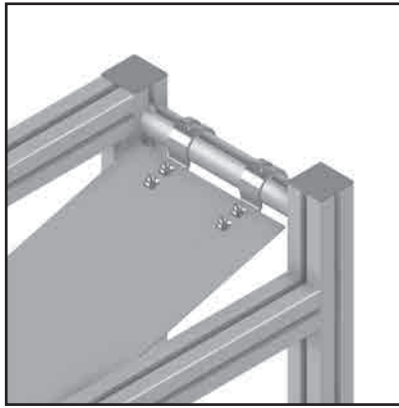
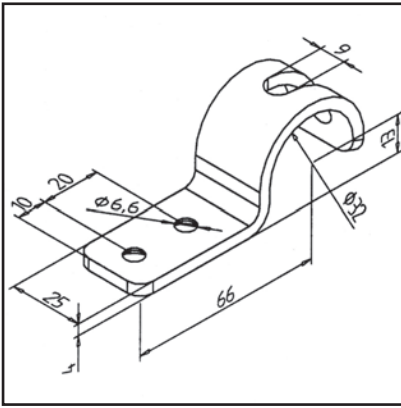
ASSEMBLY

- Swivel the sliding nuts
- Insert handle profile into the 2 half-shells
- Fasten with screws

CATCH 32 FOR HANDLE PROFILE

Part no.

21.0005/0



TECHN. DATA / ITEMS SUPPLIED

- Steel, galvanized
- Countersunk screw M6 x 16
- With sliding nut M6
- Weight = 0.100 kg/piece

APPLICATIONS

- Angle-independent attachment of roller conveyors, plates, shelves, etc. on the handle profile 32nd **part no. 20.1088/0**

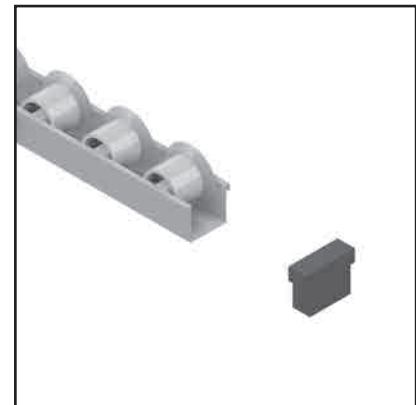
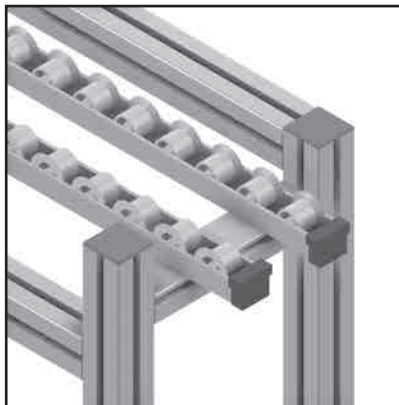
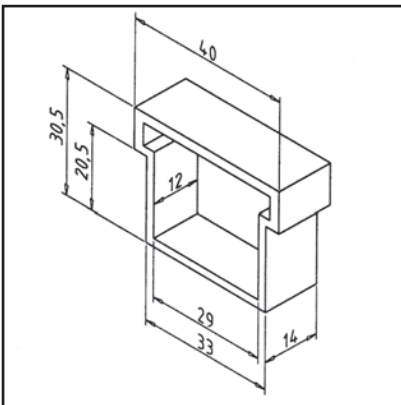
ASSEMBLY

- Attach plates or similar with M6 countersunk screw
- Hang over handle profile 32
- If necessary, secure against dislocation with set screw M8 x 20 and sliding nut M8

EDGE PROTECTION

Part no.

32.0572/0



TECHN. DATA / ITEMS SUPPLIED

- Plastic, black
- ESD-compatible
- Weight = 0.004 kg/piece

APPLICATIONS

- Protection against injury

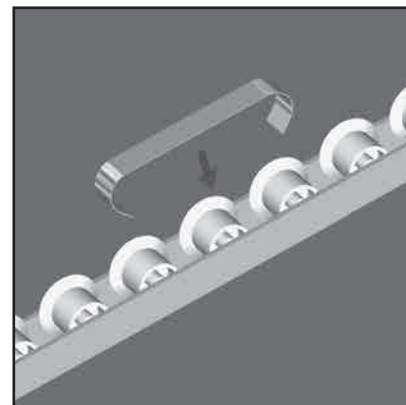
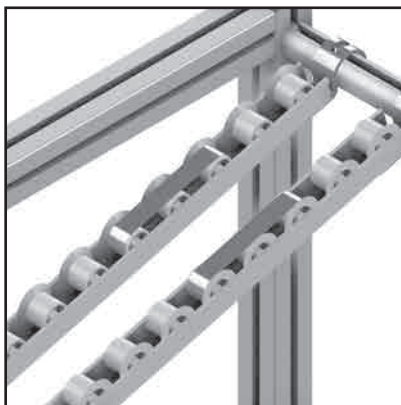
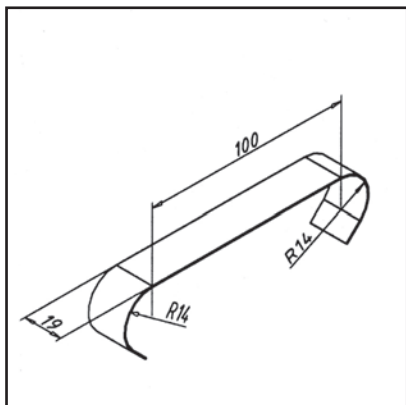
ASSEMBLY

- Attach to the miniature roller strip

BRAKE PLATE

Part no.

32.0571/0

**TECHN. DATA / ITEMS SUPPLIED**

- Steel
- Brake plate on spring steel for 50 mm division
- In connection with conductive roller ESD conductive
- Weight = 0.017 kg/piece

APPLICATIONS

- The brake plate can be fastened at any desired location

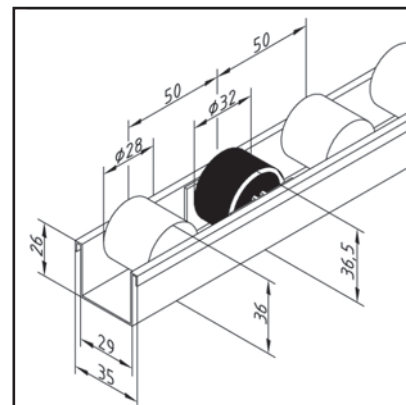
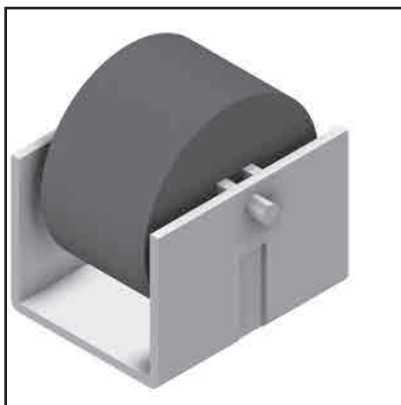
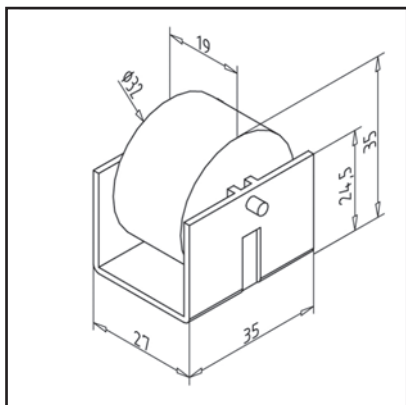
ASSEMBLY

- Attach to the miniature roller strip

MINIATURE ROLLER BRAKE

Part no.

32.0562/0

**TECHN. DATA / ITEMS SUPPLIED**

- Plastic, black
- Weight = 0.022 kg/set

APPLICATIONS

- For use with roller rails with a slope, for braking the conveyed material

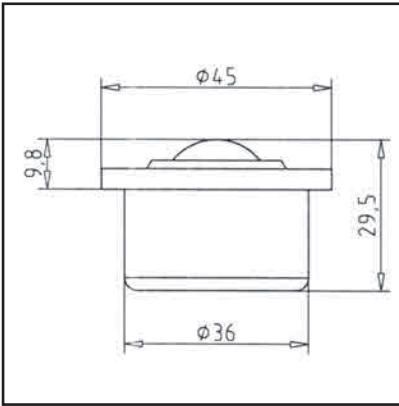
ASSEMBLY

- Remove the existing miniature rollers from the roller strip
- insert support at the same place and clip brake-roller in
- When installing, pay attention to the direction of the bracket and the miniature rollers

BALL ROLLER

Part no.

35.0041/0

**TECHN. DATA / ITEMS SUPPLIED**

- Housing made of steel sheet, galvanized, steel balls
- DW 22,2 mm
- Load factor C 1200 N
- Weight = 0.130 kg/piece

APPLICATIONS

- Ball rollers for conveyor systems and automation systems
- Enable a simultaneous longitudinal and transverse movement
- Installation in work tables or roller tracks
- Ball roller also as suspension for boxes, devices, furniture and appliances

ASSEMBLY

- Insert into prepared bore
- Or install with tolerance ring **part no. 35.0001/0**
- Caution: for mounting with tolerance ring of other bore diameter ($37.7 + 0.2$ mm)

The optimal working height - also with the material supply.

The lifter ensures ergonomic conditions in the workplace, because during loading and unloading the containers automatically remain in the optimum position and height for the respective worker. The working height can be adjusted continuously and remains the same even with different height

containers. This is ensured by an easily adjustable precision reflex switch. A removable control panel as well as various loading options ensure flexibility and user-friendliness.

Lifter 1000



Lifter 1400



Example application Lifter 1000 with equipment - lateral loading

Example application Lifter 1400 with equipment - frontal loading

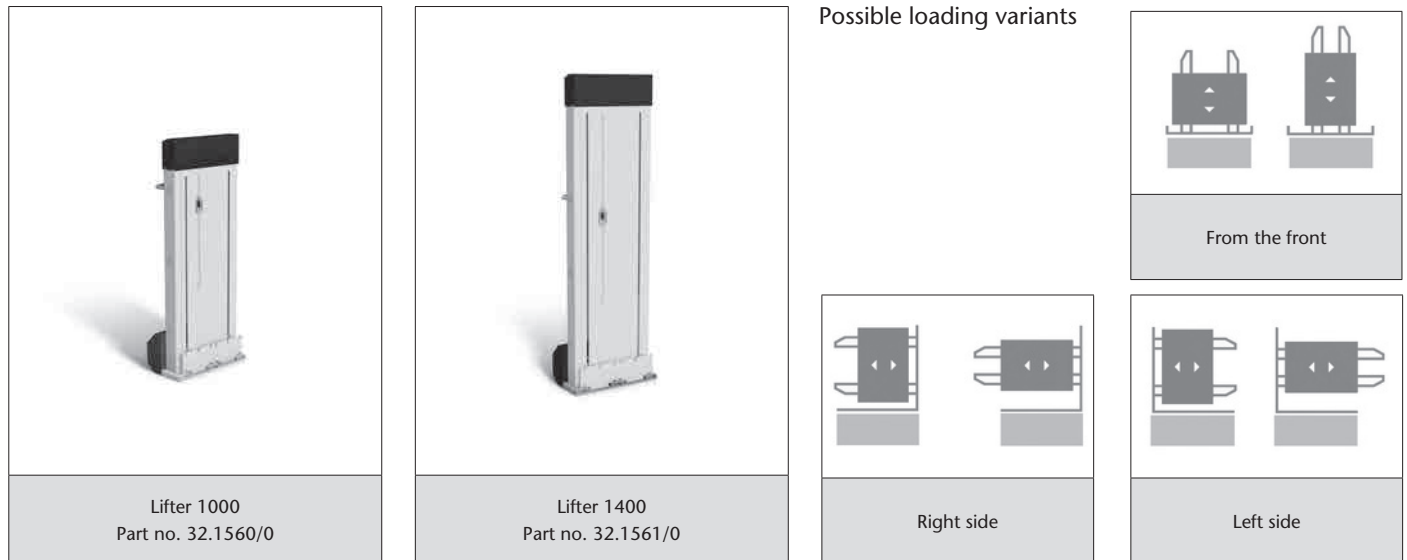
	Lifter 1000	Lifter 1400
Dimensions (without fork) W x H x D	560 x 1382 x 283 mm	560 x 1782 x 283 mm
Gabelhubhöhe	115 bis 1000 mm	115 bis 1400 mm
Max. Load capacity	200 kg	200 kg
Max. Lifting speed	< 40 mm/s	< 40 mm/s
Supply	230V / 50Hz, 10A	230V / 50Hz, 10A
Protection	IP54 IEC 529	IP54 IEC 529
Part no.	32.1560/0	32.1561/0
Lifter HD for loads up to 1,000 kg on request (also with Euro pallet holder)		

TECHNICAL DATA

- Electric geared motor with brake
- Low-maintenance ball screw
- Automatic height recognition
- Automatic loading and unloading mode
- Removable manual control panel ensures flexibility and user-friendliness
- Siemens logic module
- Surface powder-coated resp. galvanized
- Easily adjustable proximity switch ensures optimum working height
- Low space requirements
- Quick adjustment of the desired working height
- Simple connection to a 230V/50 Hz socket
- With tool-free mounting of the accessories, various loading variants can be implemented quickly and easily

Simple and flexible to the right configuration for your application.

Simply choose the lifter suitable for your needs (stroke 1000 or 1400mm) and equip it with the accessories necessary for your application.














Depending on the loading variant you need at least one pair of forks in addition to the lifter, possibly an adaptation angle and one or two support plates.

Ordering example for a Lifter 1000 with side loading left / right as shown



Loading variants with fork pair, support plate and adaptation angle combinations








	Pair of forks 400	Pair of forks 600	Adapter angle 400	Adapter angle 600	Supporting plate 400	Supporting plate 600
	Part no. 32.1562/0	Part no. 32.1563/0	Part no. 32.1565/0	Part no. 32.1564/0	Part no. 32.1567/0	Part no. 32.1566/0
						
	X				X	
		X				X
	X			X	X	X
		X	X		X	X
	X			X	X	X
		X	X		X	X

Overview accessories

Due to the additional adjustment options - lateral and longitudinal - the lifter is suitable for the use of a wide variety of floor scooters and material trolleys.

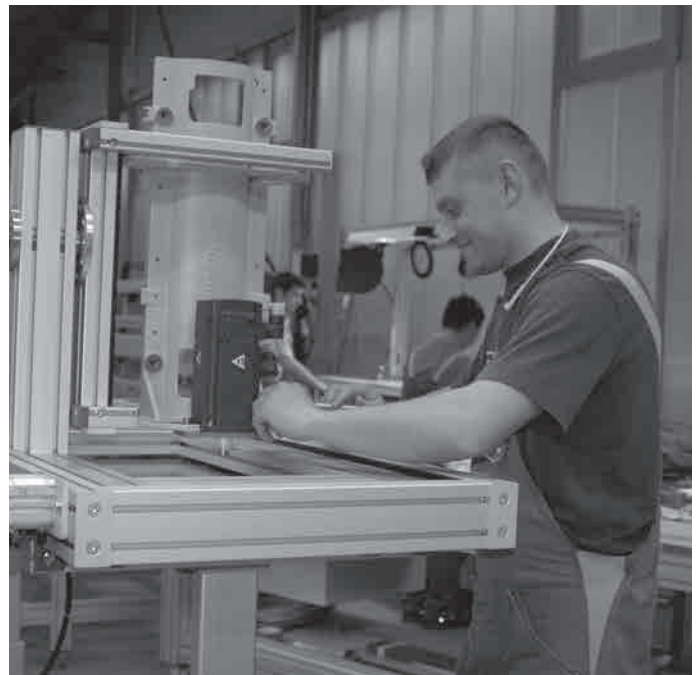
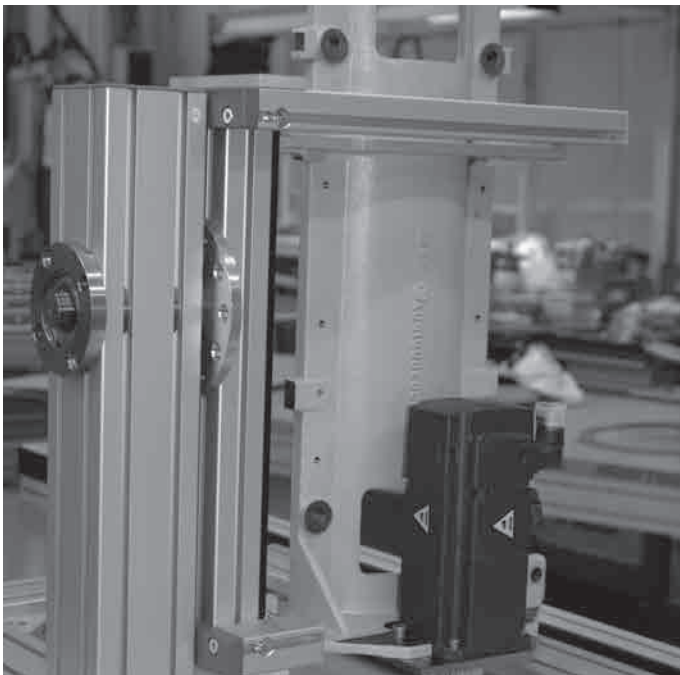
Optional equipment for the lift is available:

- Increase for proximity switch
- Different sensors for height detection
- Various adaptations for various floor rollers
- Specially adapted fork pairs / load holders

<p>Adapter angle It allows lateral loading.</p>		<p>Adapter bracket 400 Part no. 32.1565/0 Adapter angle 600 Part no. 32.1564/0</p>
<p>Fork pairs Depending on size and load variant Fork pair 400 or 600.</p>		<p>Pair of forks 400 Part no. 32.1562/0 Pair of forks 600 Part no. 32.1563/0</p>
<p>Support plates Provide the safe position of the lift even with heavy loads.</p>		<p>Supporting plate 400 Part no. 32.1567/0 Supporting plate 600 Part no. 32.1566/0</p>
<p>Floor roller The transport floor roller is made of sheet steel and has a double edge. Load capacity up to 450 kg Track width: 305 or 318</p>		<p>Trolley 400 x 600, gauge 305 Part no. 32.1569/0 Trolley 400 x 600, track width 318 Part no. 32.1570/0 ESD version: Floor roller 400 x 600, track width 305 Part no. 32.1571/0</p>
<p>Hand drawbar / drawbar cart For easy transport the floor roller. In combination with the towing eye and drawbar, a ground roller train can be formed.</p>		<p>Hand draw Part no. 32.1572/0 Pedestrian cart Part no. 32.1573/0</p>
<p>Magnetic control panel holder With magnets, it can be flexibly attached to the appropriate place of the lift cover. Above, on the side or on the back.</p>		<p>Control panel holder magnetic Part no. 32.1568/0</p>
<p>Boxes</p>		<p>Box 600 (L) x 400 (W) x 150 (H) Part no. 32.1574/0 Box 600(L) x 400(B) x 236(H) Part no. 32.1575/0 Box 600(L) x 400(B) x 420(H) Part no. 32.1576/0</p>

ASSEMBLY DEVICES

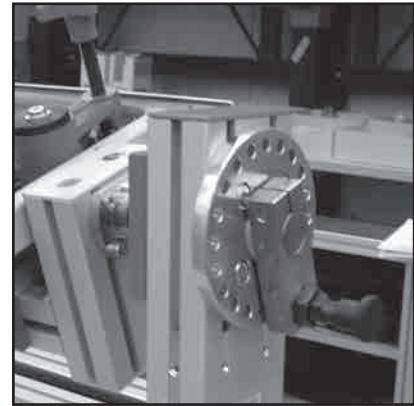
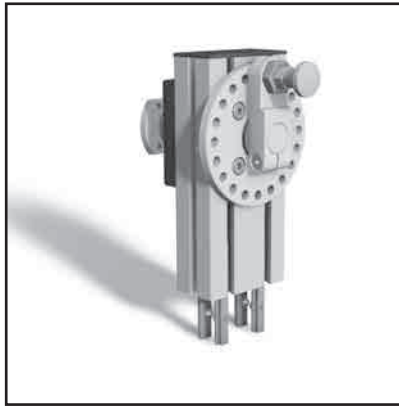
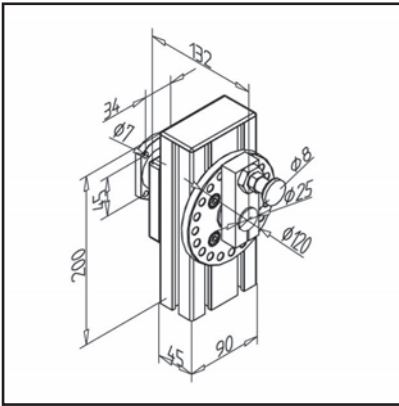
In the development of assembly devices it is important to not only reduce set-up times but also to increase reusability, i.e. flexibility. In combination with the Minitec profile system, adaptability to different workpieces is always guaranteed with minimal changeover effort and time.



TURNING DEVICE 45 X 90

Part no.

32.2011/0



TECHN. DATA / ITEMS SUPPLIED

- Fmax. 1500 N
- Mmax. 150 Nm
- Screening 18°
- Indexing bolt with lock
- Bearing over 2 sliding bushings
- Weight = 3.320 kg/piece

APPLICATIONS

- Reproducibly accurate positioning of components for assembly purposes
- Remote controlled pneumatic locking on request

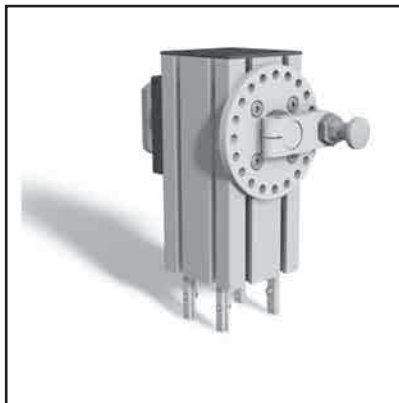
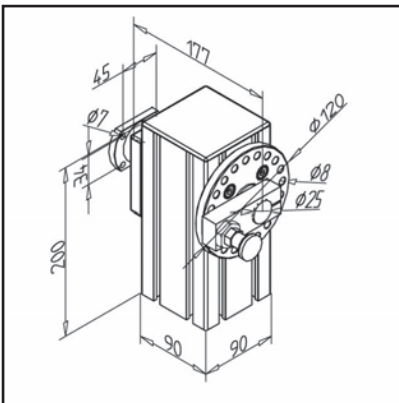
ASSEMBLY

- Fastening with clamping strip as profile extension or profile connector
- Clearance and turning position adjustable using clamp connection

TURNING DEVICE 90X90

Part no.

32.2010/0



TECHN. DATA / ITEMS SUPPLIED

- Fmax. 1500 N
- Mmax. 150 Nm
- Screening 18°
- Indexing bolt with lock
- Bearing over 2 sliding bushings
- 4 T-slot bars for installation on profile construction
- Weight = 4.374 kg/piece

APPLICATIONS

- Reproducibly accurate positioning of components for assembly purposes
- Remote controlled pneumatic locking on request

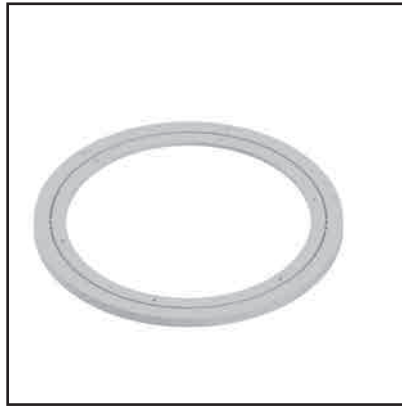
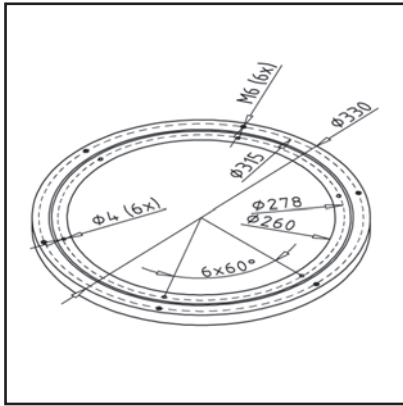
ASSEMBLY

- Fastening with clamping strip as profile extension or profile connector
- Clearance and turning position adjustable using clamp connection

SLEWING RING 330 / 260 / 14 MM

Part no.

32.2005/1

**TECHN. DATA / ITEMS SUPPLIED**

- Aluminium, Pressure die-casting, blasted
- Turntable with steel balls
- Axial load up to 300 kg
- ESD-compatible
- Ø 330 x 13.5 mm
- Low maintenance
- Circular aluminum blanks upon request
- Weight = 0.580 kg/piece

APPLICATIONS

- Used in the industry, in furniture display construction, simple turning device for mounting devices for horizontal use

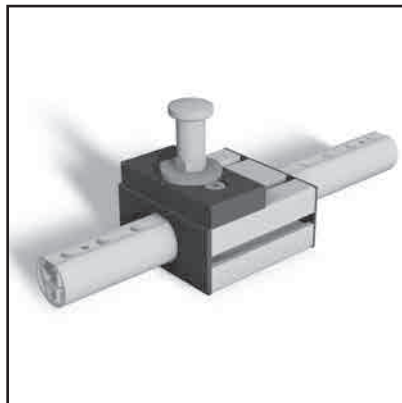
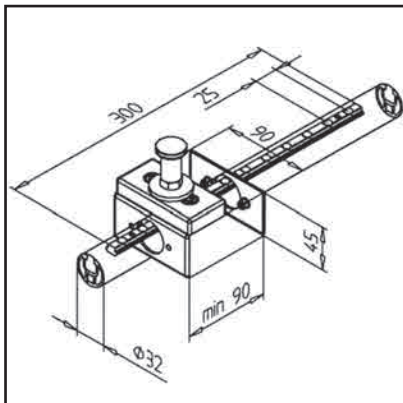
ASSEMBLY

- Screw through the holes $D = 4$ mm onto the profile frame or the table plate
- Screw turntable or similar onto the outer ring

LOCKING BOLT ADJUSTMENT F

Part no.

29.0852/0

**TECHN. DATA / ITEMS SUPPLIED**

- Locking bolt with rest position
- Drilled clamping strip for detent with step 25 mm, length 300 mm
- End caps
- Connecting plate for receiving the locking bolt
- Profile 45 x 90S machined **part no. 29.0857/0** and handle profile 32 **part no. 20.1088/0** not included in delivery scope
- Weight = 0.460 kg/piece

APPLICATIONS

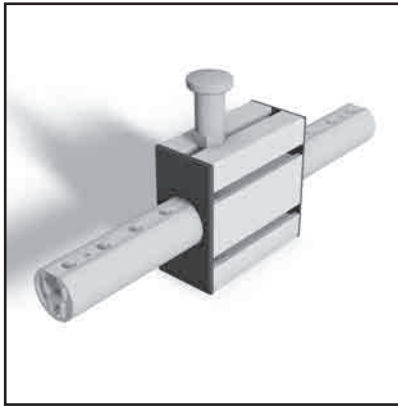
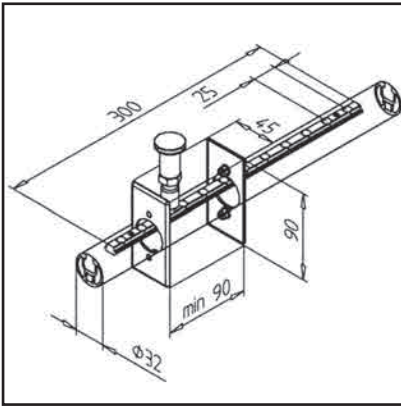
- for height-adjustable tables, conveyors etc.
- for lock in place adjustment of lateral guides
- for adjustable devices and clampings

ASSEMBLY

- fasten perforated t-slot bar onto handle profile 32
- Insert the locking bolts in the connection plate and profile 45 x 90 S
- **please indicate length of handle profile 32 (min. 300 mm) and profile 45x90S (min. 90 mm)!**

LOCKING BOLT ADJUSTMENT H

Part no. 29.0851/0



TECHN. DATA / ITEMS SUPPLIED

- Locking bolt with rest position
- Drilled clamping strip for detent with step 25 mm, length 300 mm
- End caps
- Profile 45 x 90S machined **part no. 29.0858/0** and handle profile 32 **part no. 20.1088/0** not included in delivery scope
- Weight = 0.241 kg/piece

APPLICATIONS

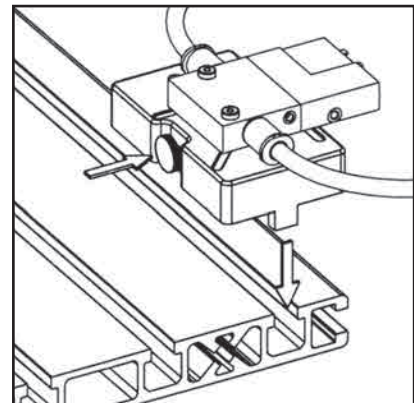
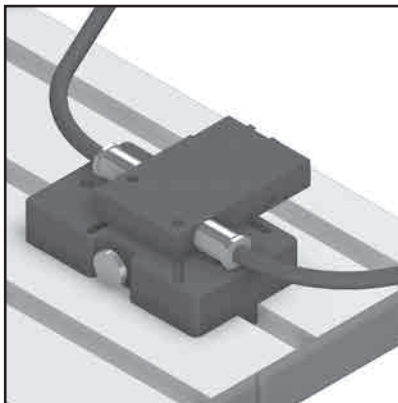
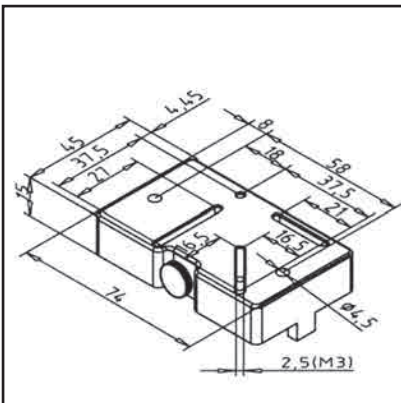
- for height-adjustable tables, conveyors etc.
- for lock in place adjustment of lateral guides
- for adjustable devices and clampings

ASSEMBLY

- fasten perforated t-slot bar onto handle profile 32
- Screw in the locking bolts in profile 45 x 90 S
- **please indicate length of handle profile 32 (min. 300 mm) and profile 45x90S (min. 90 mm)!**

UNIVERSAL CLAMPING SOCKET

Part no. P2.0060/0



TECHN. DATA / ITEMS SUPPLIED

- Housing PA 6 GF
- Actuator made of steel
- Weight = 0.037 kg/piece

APPLICATIONS

- For assembly of pneumatic switches for learning and training purposes
- To fasten diverse pneumatic switches
- Mounting of valves or similar from various manufacturers

ASSEMBLY

- Simple pneumatic accessories fastened with M3 screws (not in scope of delivery) onto the clamping socket
- By pressing the button, the clamping socket can be fit into the slot
- When released, an automatic locking takes place

ESD-ACCESSORIES

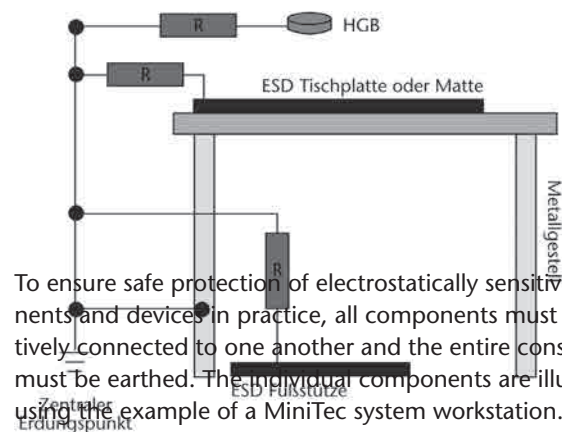


ESD (Electro Static Discharge) is the electrostatic discharge of charged objects or persons by direct contact or sparks. The cause of ESD are electrical charges which are generated by charge separations or as a result of influences in electrical fields. Sources of this charge may be people and their clothes

- workplace equipment including floors,
- packaging equipment and tools

Electrostatically sensitive devices, especially semiconductor components

Protective measures for electrostatically sensitive components

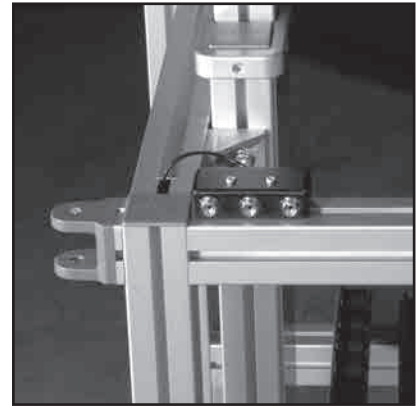
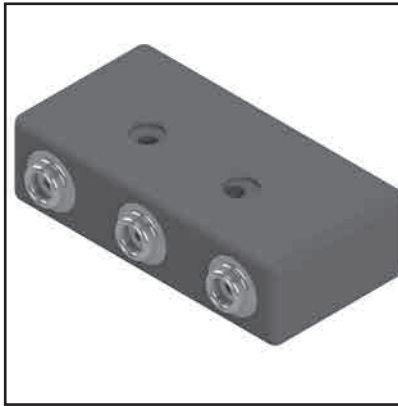
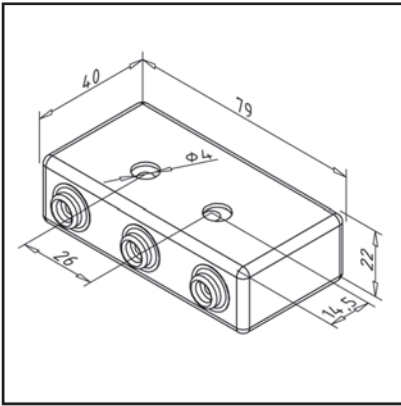


To ensure safe protection of electrostatically sensitive components and devices in practice, all components must be conductively connected to one another and the entire construction must be earthed. The individual components are illustrated using the example of a MiniTec system workstation.

EARTHING BOX ESD

Part no.

32.1002/0



TECHN. DATA / ITEMS SUPPLIED

- Earthing cable 2 m length
- Connection type: 4mm eye
- 1 MOhm safety resistor per connection
- 3x 10 mm push button connection
- Weight = 0.061 kg/piece

APPLICATIONS

- Earth connection point EBP for personnel grounding

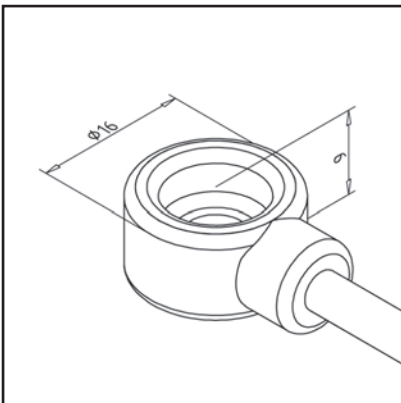
ASSEMBLY

- Tighten to table plate with chipboard screw $\varnothing 4 \times 30$
- Fix with cyl. screw M4 x 30 **part no. 21.1285/0** and 2x square nut M4 **part no. 21.1310/2** onto profile

EARTH CONDUCTOR ESD

Part no.

32.1004/0



TECHN. DATA / ITEMS SUPPLIED

- 1 MOhm safety resistance
- 10 mm push button / 4 mm eye
- Length: 3 m
- Weight = 0.019 kg/piece

APPLICATIONS

- For table and floor coverings

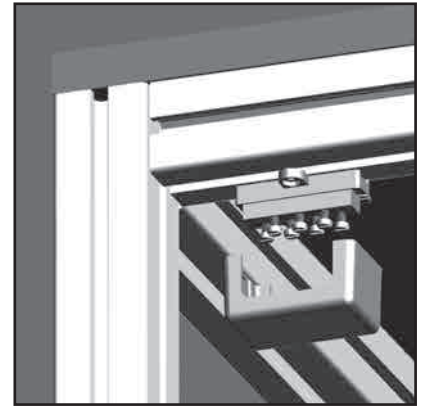
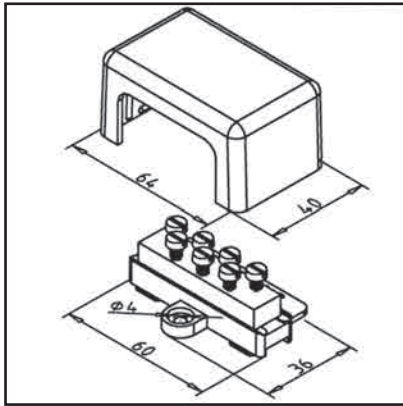
ASSEMBLY

- Connect as central grounding **part no. 32.1003/0** box ESD
- Clip onto table pad

CENTRAL EARTHING BOX ESD

Part no.

32.1003/0

**TECHN. DATA / ITEMS SUPPLIED**

- Terminal strip for connection of max. 7 earthing cables
- With screw connections for lugs with 4 mm eye
- Weight = 0.072 kg/piece

APPLICATIONS

- Suitable for contacting earthing conductors to ESD or protective ground

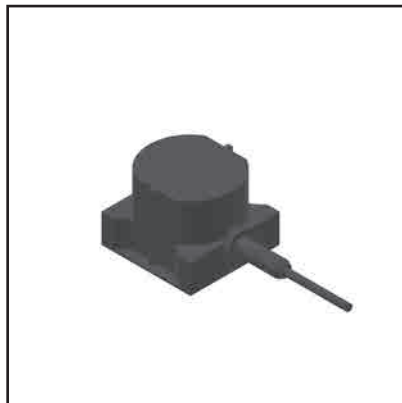
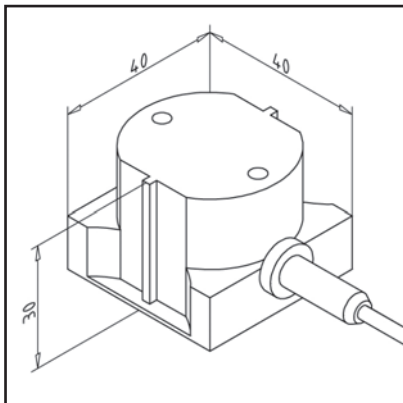
ASSEMBLY

- Attach to the tabletop with accessories from scope of supply

DUMMY PLUG WITHOUT RESISTOR

Part no.

32.1001/0

**TECHN. DATA / ITEMS SUPPLIED**

- Dummy plug for Schuko outlet
- With 2m smooth cable
- Connection type: 4mm eye
- Weight = 0.048 kg/piece

APPLICATIONS

- For direct earthing of tabletops and floor coverings or the central earthing strip

ASSEMBLY

- Connect to central grounding box **part no. 32.1003/0**
- Plug into suitable Schuko outlet

SPIRAL CABLE HIGHLY ELASTIC

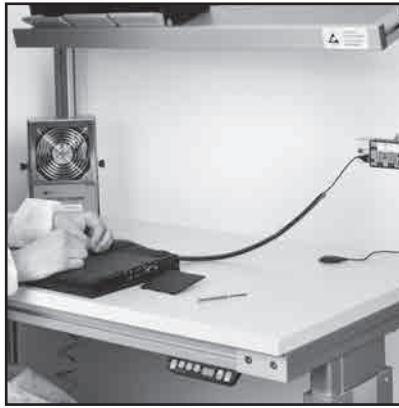
Part no.

32.1017/0



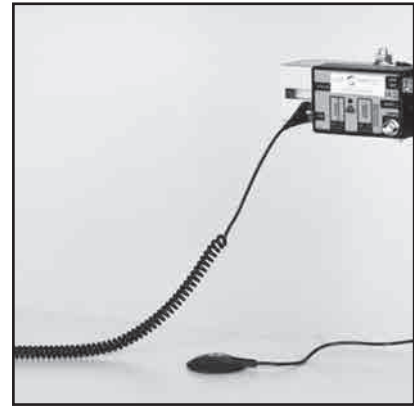
TECHN. DATA / ITEMS SUPPLIED

- Spiral cable; highly elastic, black
- 10mm / 10mm pushbutton
- 1 MOhm
- Length: 1,80 m
- Weight = 0.041 kg/piece



APPLICATIONS

- For connecting wristlets onto earthing box



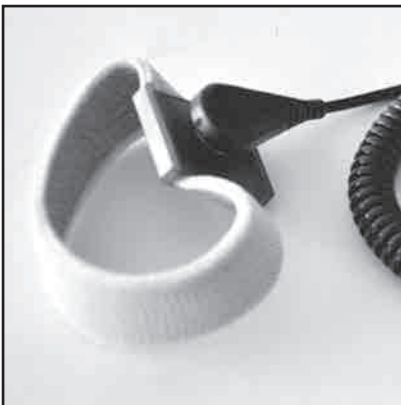
ASSEMBLY

- Fasten spircal cable with push button onto earthing box and wristlet

ELASTIC WRIST STRAP

Part no.

32.1018/0



TECHN. DATA / ITEMS SUPPLIED

- Wristlet blue
- Push-button 10mm
- Weight = 0.013 kg/piece



APPLICATIONS

- Earthing of humans



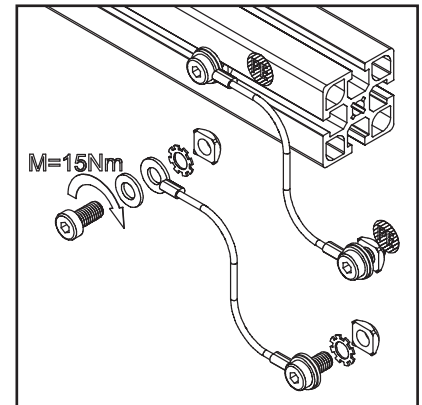
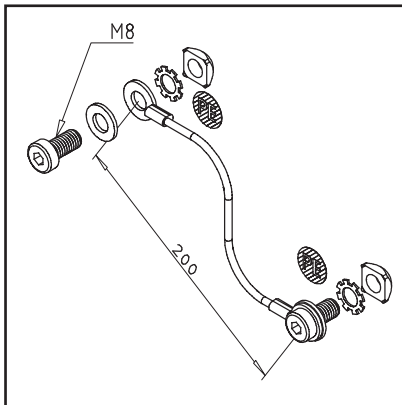
ASSEMBLY

- Attach to the wrist and connect to the grounding box via spiral cable

EARTHING CABLE ESD AREA

Part no.

32.1013/0

**TECHN. DATA / ITEMS SUPPLIED**

- Earthing cable for ESD areas
- Core H07V-K 4mm² Length: 200 mm
- Weight = 0.053 kg/piece

APPLICATIONS

- For earthing work tables and structures between profile and profile
- For earthing of work tables and constructions between profiles and panel element

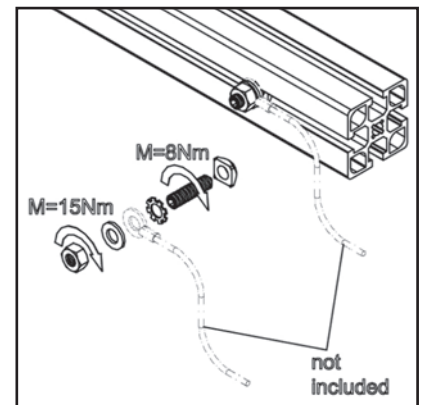
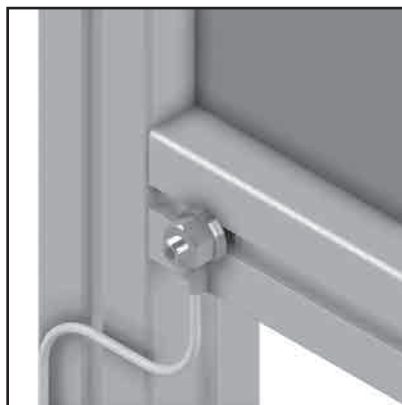
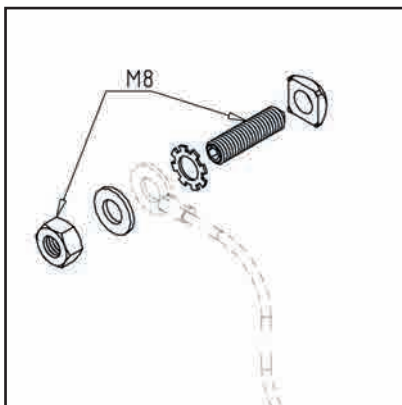
ASSEMBLY

- Fasten both sides with M8
- Fasten to profile groove with supplied hardware.

EARTHING POINT

Part no.

32.0769/0

**TECHN. DATA / ITEMS SUPPLIED**

- Threaded pin M8x30
- Sliding nut - Z M8
- Tooth lock washer
- washer
- hexagon nut
- Weight = 0.022 kg/piece

APPLICATIONS

- For earthing workstations and constructions

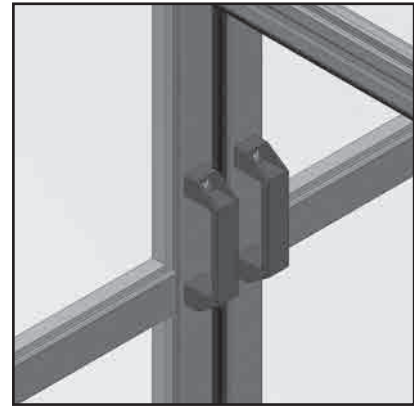
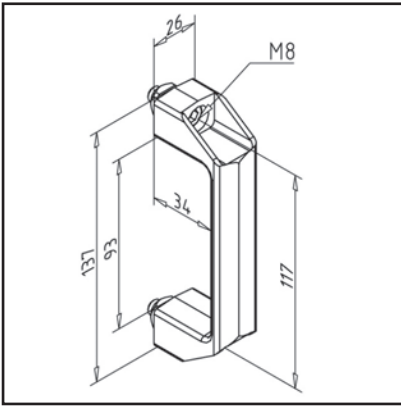
ASSEMBLY

- Mount in the profile groove according to the enclosed installation drawing

HANDLE 120 ESD, BLACK

Part no.

32.1007/0



TECHN. DATA / ITEMS SUPPLIED

- PA, black
- Fastening kit
- Weight = 0.073 kg/piece

APPLICATIONS

- Doors
- Lids
- Guard units

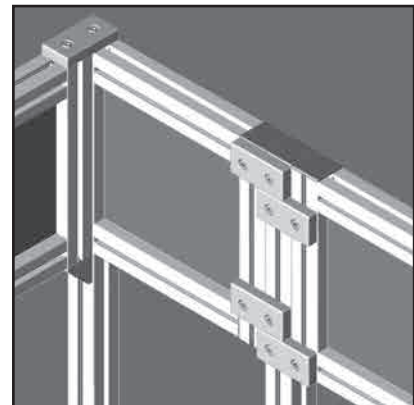
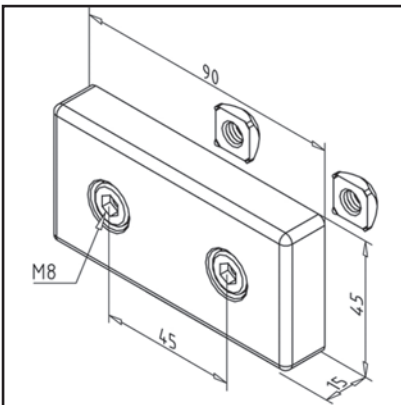
ASSEMBLY

- Fasten to profile groove with supplied hardware.
- Directly on surface element with cylinder head screw M8
- Also assembly possible from rear side

CONNECTING PLATE 45X90, CONDUCTIVE

Part no.

21.1472/6



TECHN. DATA / ITEMS SUPPLIED

- Aluminium, Pressure die-casting, bright
- With fastening material steel, zinc plated
- Weight = 0.180 kg/piece

APPLICATIONS

- Connection of two guards without gap
- Strengthening of guard units
- Connection of pre-assembled modules

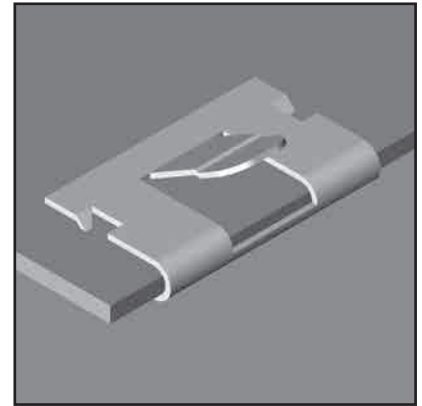
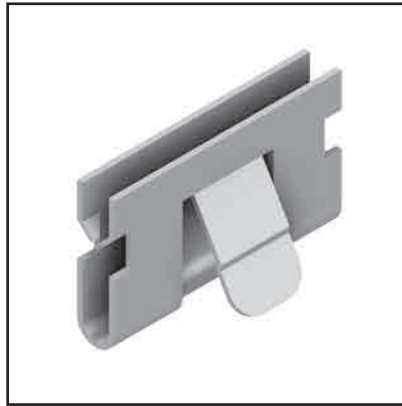
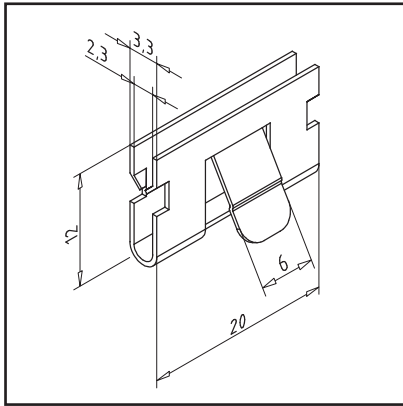
ASSEMBLY

- Install to groove of protective field and posts with supplied hardware

EARTHING CLAMP

Part no.

E9.0141/0

**TECHN. DATA / ITEMS SUPPLIED**

- Steel, Pressed, galvanized
- Weight = 0.002 kg/piece

APPLICATIONS

- For grounding sheet metal and thin-walled components with wall thickness of 0.7 - 2 mm
- Especially suitable for:
Cable duct AL **part no. 20.1051/0**
Cable duct 45 AL **part no. 20.1071/0**
Cable duct 90 AL **part no. 20.1056/0**

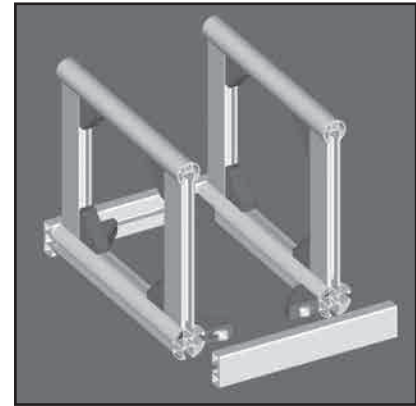
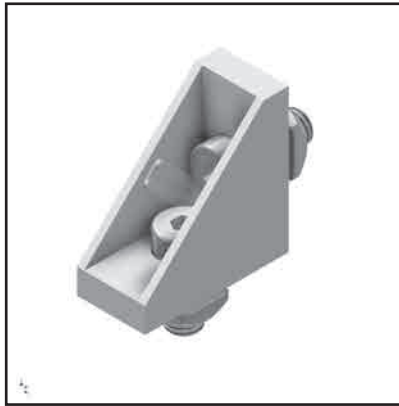
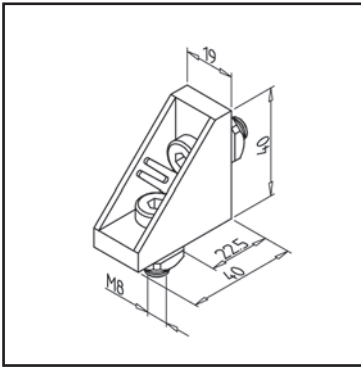
ASSEMBLY

- Attach to sheet metal edge
- Safe support and conductive connection is provided by claws
- For the connection of the earthing cable with 6 mm flat plug

MOUNTING ANGLE 19 GD-Z CONDUCTIVE

Part no.

21.2078/6



TECHN. DATA / ITEMS SUPPLIED

- Aluminium, Pressure die-casting, blasted
- With fastening material steel, zinc plated
- Aluminium GD-Z
- Weight = 0.055 kg/piece

APPLICATIONS

- Connection of profiles 19 and 32
- Subsequent insertion of profiles into existing constructions
- Attaching bearing surfaces
- Slidable in the groove direction

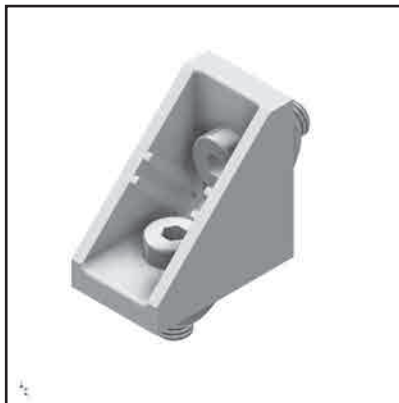
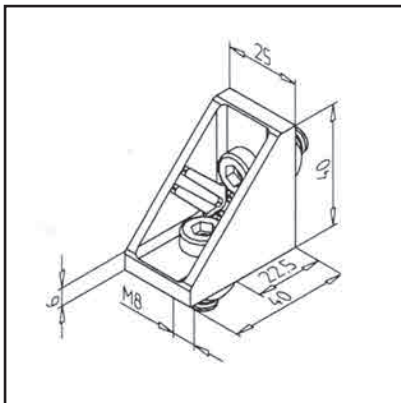
ASSEMBLY

- Fasten to profile groove with supplied hardware
- For subsequent mounting on vertical nut, a square nut M8 Z with nut fixation, **part no. 21.1390/2** is preferred
- Recommended locking torque: 20 Nm

MOUNTING ANGLE 25 GD-Z CONDUCTIVE

Part no.

21.0969/6



TECHN. DATA / ITEMS SUPPLIED

- Aluminium, Pressure die-casting, blasted
- With fastening material steel, zinc plated
- Removable centering tabs
- Weight = 0.066 kg/piece

APPLICATIONS

- General constructions, particularly for subsequent insertion of profiles into existing constructions
- Fastening of surface elements, table tops
- Strengthening of profile constructions

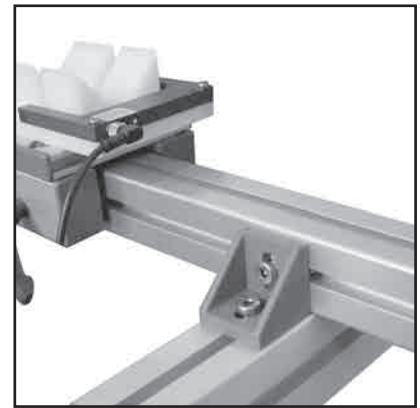
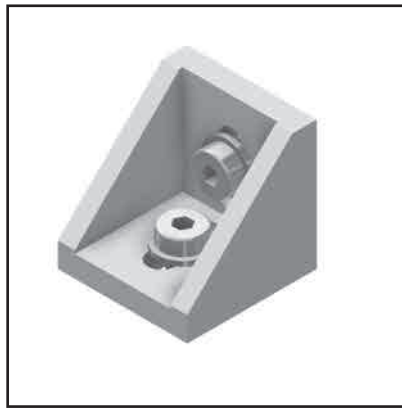
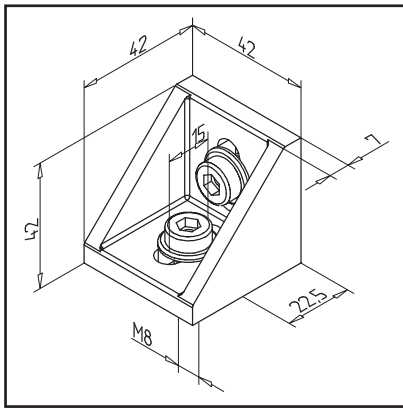
ASSEMBLY

- Fasten to profile groove with supplied hardware
- For subsequent mounting on vertical nut, a square nut M8 Z with nut fixation, **part no. 21.1390/2** is preferred
- Recommended locking torque: 20 Nm

MOUNTING ANGLE 45 GD-Z, CONDUCTIVE

Part no.

21.1133/6

**TECHN. DATA / ITEMS SUPPLIED**

- Aluminium, Pressure die-casting, blasted
- With fastening material steel, zinc plated
- Mounting angle bracket with sliding nut Z with spring panel: **part no. 21.1133/8**
- Weight = 0.101 kg/piece

APPLICATIONS

- General constructions, particularly for subsequent insertion of profiles into existing constructions
- Fastening of surface elements, table tops
- Strengthening of profile constructions

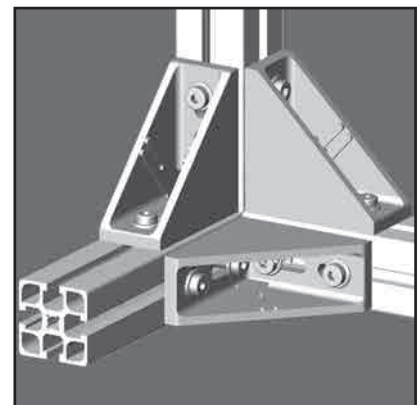
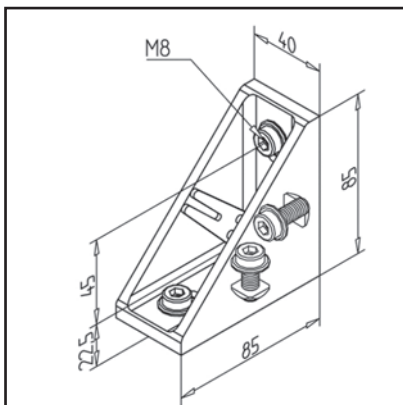
ASSEMBLY

- Fasten to profile groove with supplied hardware
- For subsequent mounting on vertical nut, a square nut M8 Z with nut fixation, **part no. 21.1390/2** is preferred
- Hammer head screw **part no. 21.1370/0** can be used
- Recommended locking torque: 20 Nm

MOUNTING ANGLE 45 X 90 GD-Z, CONDUCTIVE

Part no.

21.1397/6

**TECHN. DATA / ITEMS SUPPLIED**

- Aluminium, Pressure die-casting, blasted
- With fastening material steel, zinc plated
- Angle with slide nut Z with spring steel sheet: **part no. 21.1397/8**
- Weight = 0.281 kg/piece

APPLICATIONS

- General constructions, particularly for subsequent insertion of profiles into existing constructions
- Fastening of surface elements, table tops
- Strengthening of profile constructions

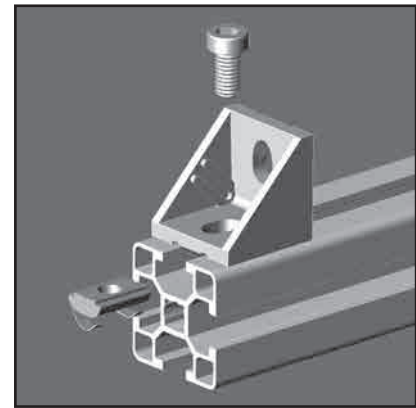
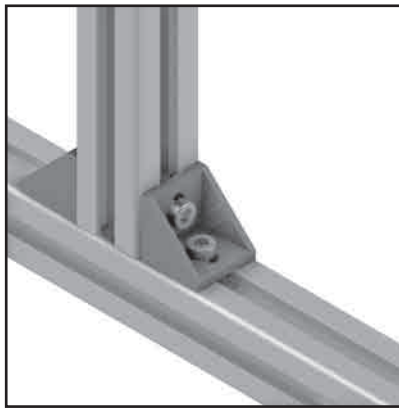
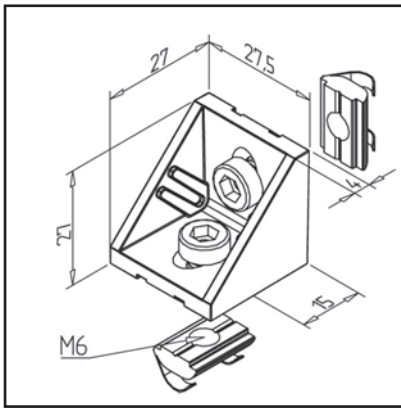
ASSEMBLY

- Fasten to profile groove with supplied hardware
- For subsequent mounting on vertical nut, a square nut M8 Z with nut fixation, **part no. 21.1390/2** is preferred
- Recommended locking torque: 20 Nm

MOUNTING ANGLE 30 GD-Z CONDUCTIVE

Part no.

21.0905/6



TECHN. DATA / ITEMS SUPPLIED

- Aluminium, Pressure die-casting, blasted
- With fastening material steel, zinc plated
- Removable centering tabs
- Weight = 0.029 kg/piece

APPLICATIONS

- Fastening of surface elements, table tops
- All types of constructions; specifically suited for the subsequent mounting of elements in existing constructions

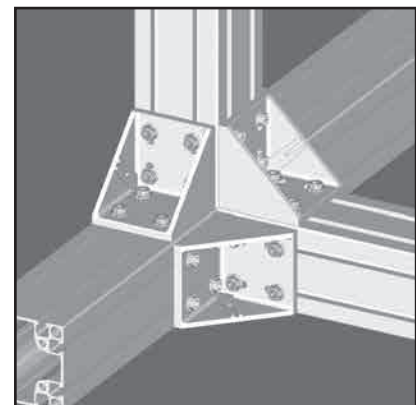
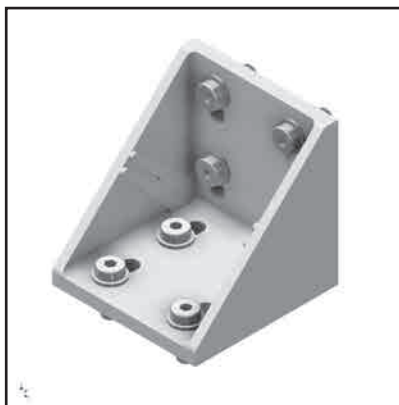
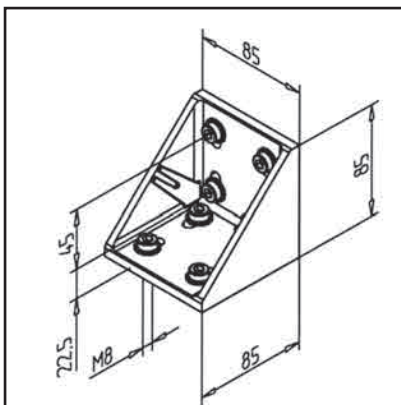
ASSEMBLY

- Strengthening of profile constructions
- Recommended locking torque: 20 Nm
- For subsequent mounting on vertical nut, a square nut M8 Z with nut fixation, **part no. 21.1390/2** is preferred
- Fasten to the profile with supplied hardware

MOUNTING ANGLE 90 GD-Z CONDUCTIVE

Part no.

21.0978/6



TECHN. DATA / ITEMS SUPPLIED

- Aluminium, Pressure die-casting, blasted
- With fastening material steel, zinc plated
- Locking device against rotation
- Angle with slide nut Z with spring steel sheet: **part no. 21.0978/8**
- Weight = 0.497 kg/piece

APPLICATIONS

- For profiles 90 and 180
- General constructions, particularly for subsequent insertion of profiles into existing constructions
- Fastening of surface elements, table tops
- Strengthening of profile constructions

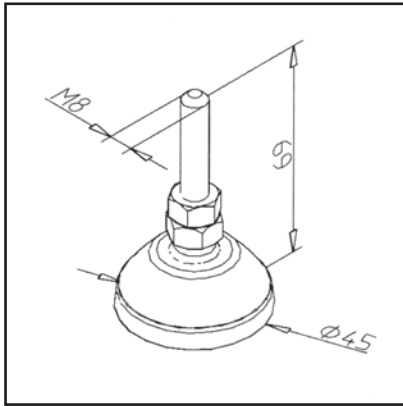
ASSEMBLY

- Fasten to profile groove with supplied hardware
- For subsequent mounting on vertical nut, a square nut M8 Z with nut fixation, **part no. 21.1390/2** is preferred
- Recommended locking torque: 20 Nm

FOOT D45 CONDUCTIVE

Part no.

32.1011/0

**TECHN. DATA / ITEMS SUPPLIED**

- Plate PA, black
- Anti-slip insert
- Spindle steel, galvanized M8
- Counter nut, steel, zinc plated
- All spindles fit all plates
- Conductive
- Hinged foot ESD D=45 m with spindle M10
part no. 32.1012/0
- Weight = 0.062 kg/piece

**APPLICATIONS**

- Height adjustable heavy constructions of all types
- Guards, tables, show cases, Conveying systems, workstations
- Height adjustable constructions of all kinds
- Protective equipment, tables, showcases
- Conveyors, system workstations

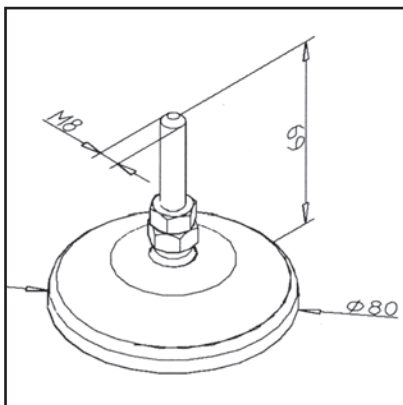
**ASSEMBLY**

- Directly in the central bore of the profile (can be drilled with thread up to M12)
- Larger threads in connection with connection plate
- Direct in central drilling of the profiles
- For threads larger than M12, the hinged feet must be mounted in conjunction with the connection plate
- For profiles 45 x 90 und 90 x 90 a base and transport plate is required, if the feet are to be positioned centrally.

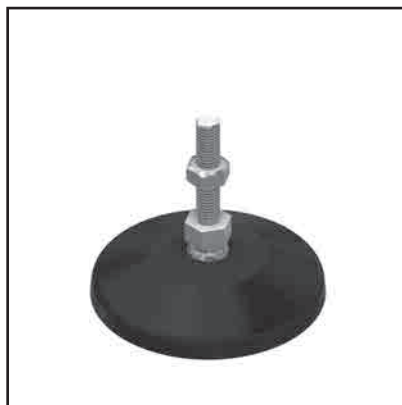
FOOT D80 CONDUCTIVE

Part no.

32.1021/0

**TECHN. DATA / ITEMS SUPPLIED**

- Plate PA, black
- Anti-slip insert
- Spindle steel, galvanized M8
- Counter nut, steel, zinc plated
- All spindles fit all plates
- Conductive
- Hinged foot ESD D=80 m with spindle M10
part no. 32.1012/0
- Weight = 0.108 kg/piece

**APPLICATIONS**

- Height adjustable heavy constructions of all types
- Guards, tables, show cases, Conveying systems, workstations
- Height adjustable constructions of all kinds
- Protective equipment, tables, showcases
- Conveyors, system workstations

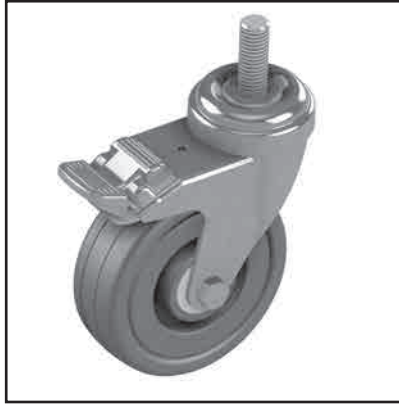
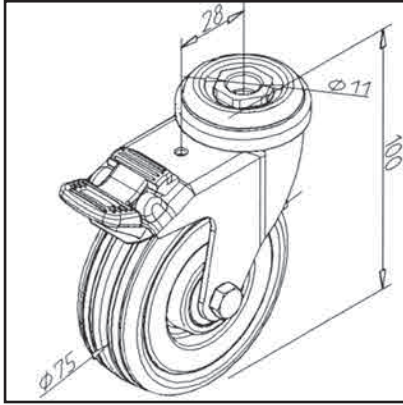
**ASSEMBLY**

- Directly in the central bore of the profile (can be drilled with thread up to M12)
- Larger threads in connection with connection plate
- Direct in central drilling of the profiles
- For threads larger than M12, the hinged feet must be mounted in conjunction with the connection plate
- For profiles 45 x 90 und 90 x 90 a base and transport plate is required, if the feet are to be positioned centrally.

SWIVEL CASTER WITH WHEEL LOCK D75 X 100, CONDUCTIVE

Part no.

32.1030/0



TECHN. DATA / ITEMS SUPPLIED

- With fastening material steel, zinc plated
- Housing steel, galvanized
- Conductive
- Load capacity 50 kg
- **Other versions upon request**
- Weight = 0.322 kg/piece

APPLICATIONS

- Movable tables
- Work stands
- display windows, showcases

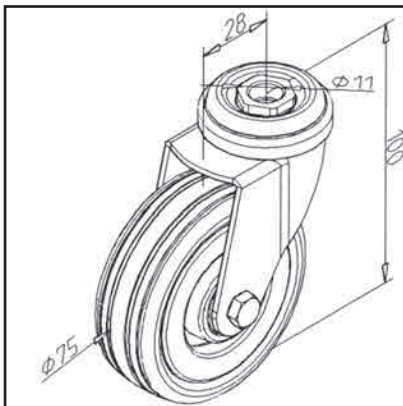
ASSEMBLY

- Attach directly to the central bore of the vertical profile with fastening material, then drill and introduce thread M10
- If the roller is to be centrally positioned for profile cross sections greater than 45 x 45, a connection plate is required

SWIVEL CASTER WITHOUT WHEEL LOCK D75 X 100, CONDUCTIVE

Part no.

32.1031/0



TECHN. DATA / ITEMS SUPPLIED

- With fastening material steel, zinc plated
- Housing steel, galvanized
- Conductive
- Load capacity 50 kg
- **Other versions upon request**
- Weight = 0.292 kg/piece

APPLICATIONS

- Movable tables
- Work stands
- display windows, showcases

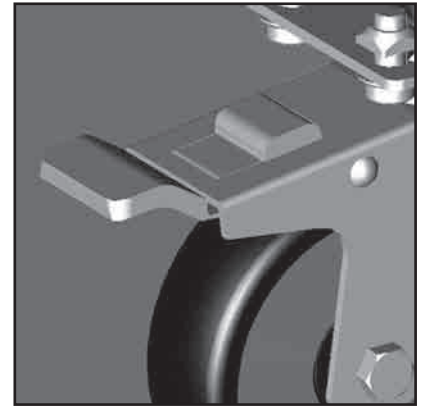
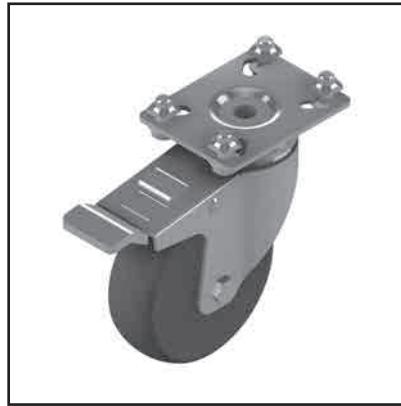
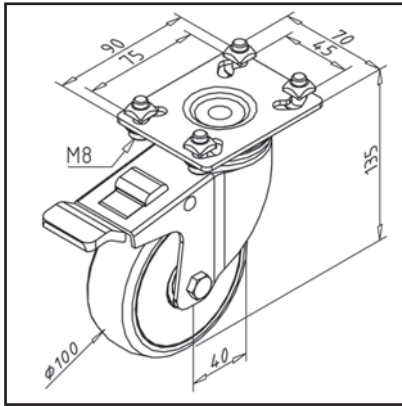
ASSEMBLY

- Attach directly to the central bore of the vertical profile with fastening material, then drill and introduce thread M10
- If the roller is to be centrally positioned for profile cross sections greater than 45 x 45, a connection plate is required

SWIVEL CASTOR WITH BRAKE D100 X 135, ESD

Part no.

32.1034/0

**TECHN. DATA / ITEMS SUPPLIED**

- With fastening material steel, zinc plated
- Housing steel, galvanized
- Conductive
- Load capacity 90 kg
- Weight = 0.881 kg/piece

APPLICATIONS

- Movable tables
- Work stands
- display windows, showcases

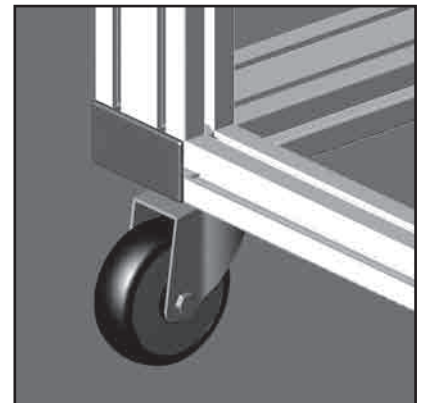
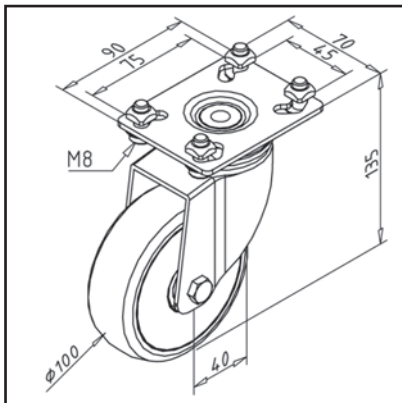
ASSEMBLY

- Fasten mounting plate in the profile groove with supplied hardware

SWIVEL CASTOR WITHOUT BRAKE D100 X 135, ESD

Part no.

32.1035/0

**TECHN. DATA / ITEMS SUPPLIED**

- With fastening material steel, zinc plated
- Housing steel, galvanized
- Conductive
- Load capacity 90 kg
- Weight = 0.765 kg/piece

APPLICATIONS

- Movable tables
- Work stands
- display windows, showcases

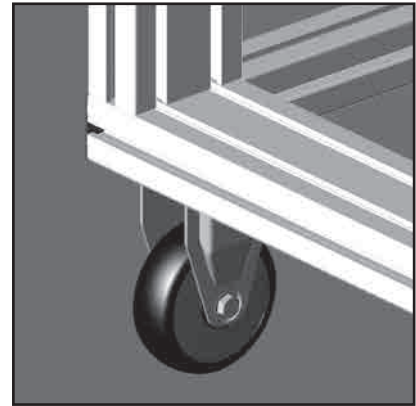
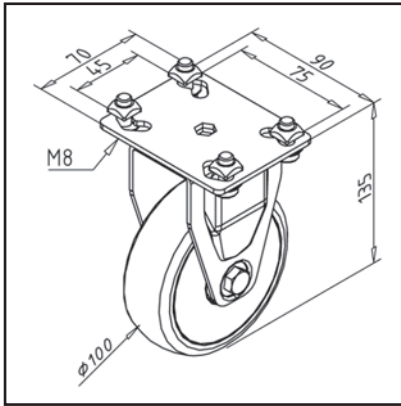
ASSEMBLY

- Fasten mounting plate in the profile groove with supplied hardware

FIXED CASTOR D100 X 135, ESD

Part no.

32.1036/0



TECHN. DATA / ITEMS SUPPLIED

- With fastening material steel, zinc plated
- Housing steel, galvanized
- Conductive
- Load capacity 90 kg
- Weight = 0.695 kg/piece

APPLICATIONS

- Movable tables
- Work stands
- display windows, showcases

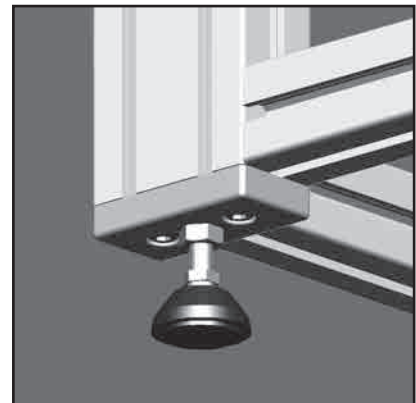
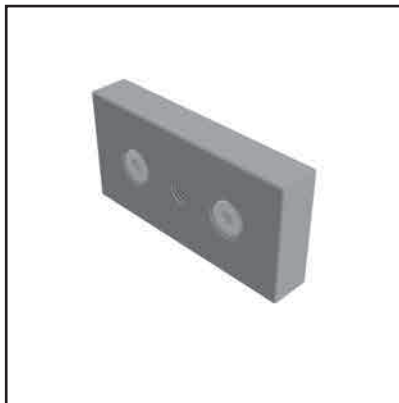
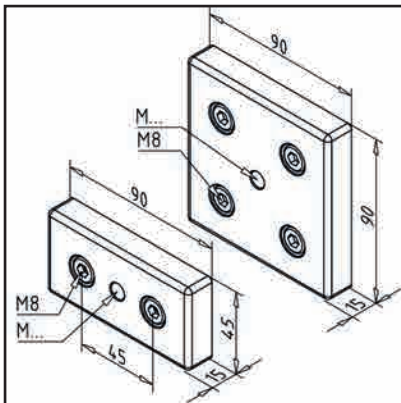
ASSEMBLY

- Fasten mounting plate in the profile groove with supplied hardware

CONNECTION PLATE 45X90 M10 CONDUCTIVE

Part no.

21.1038/6



TECHN. DATA / ITEMS SUPPLIED

- Aluminium, Pressure die-casting, blasted
- With fastening material steel, zinc plated
- Fastening kit
- Weight = 0.172 kg/piece

APPLICATIONS

- Central fixation of support feet on profiles 45 x 90 or 90 x 90
- Fixation of guide rollers
- Centric attachment of hinged feet to profiles 45 x 90

ASSEMBLY

- Fasten to the profile with supplied hardware
- Fasten to profile with fastening material from the scope of delivery