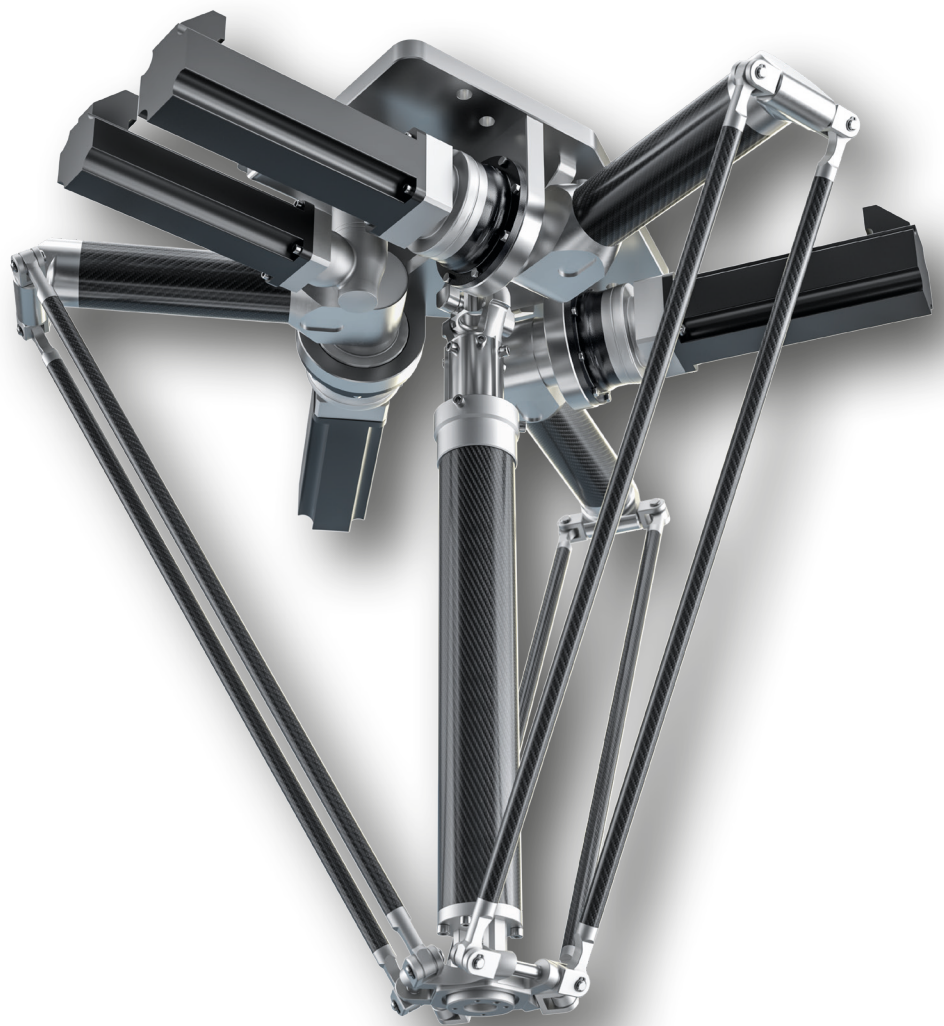




# DELTA ROBOTS DR





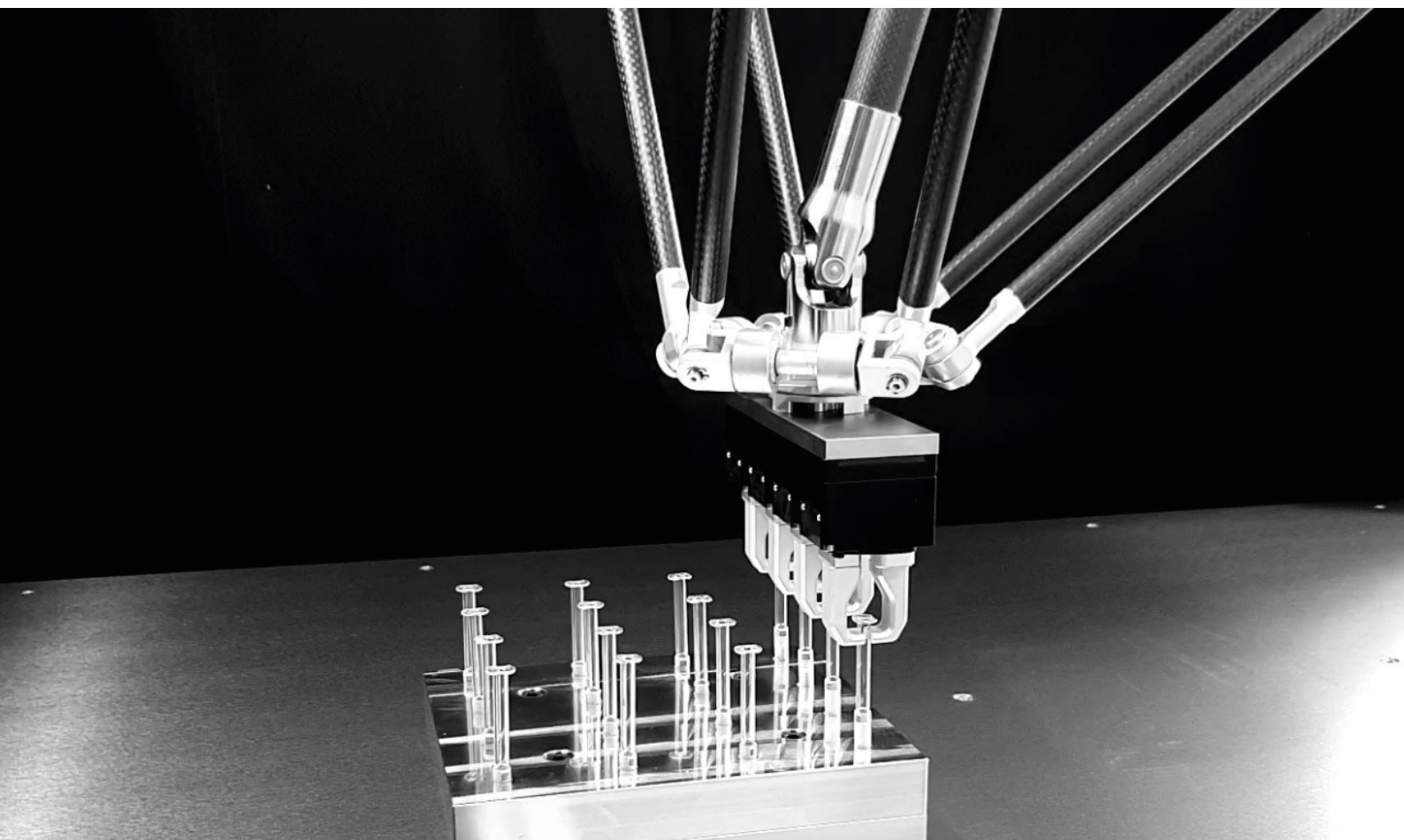
# DELTA ROBOT: EXTREM DYNAMICS, HIGHLY FLEXIBLE, EASY INTEGRATION



Our delta robots are always equipped with the **WEISS Control Package**. This turns your delta robot into a complete mechatronic system consisting of WEISS components, electronics, and software.

Not only are the cables and drive controllers preassembled and ready-to-connect, the software is also preconfigured with the most important settings. Plug in, turn on, and put into operation.





Delta robots are lightweight and fast. They are the champions of high-speed assembly and handling. The speed and precision with which they can pick and place objects are highly in demand for automated applications in the packaging and electronics industry.

WEISS Delta Robots DR are a perfect addition to the existing product range of rotary tables, linear transfer systems, linear motor axes and pick & place units. The preconfigured WEISS Control Package makes it possible to easily integrate the delta robots into any production system and to put them into operation immediately – without any in-depth programming knowledge..

---

#### **BENEFITS**

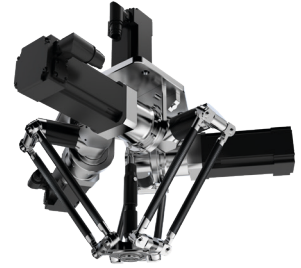
- Extremely large variety of types
- Ideal for high-speed assembly and handling
- Precise positioning
- Easy integration
- Preconfigured control
- Intuitive programming

---

#### **TECHNICAL FEATURES**

- Nominal loads from 0,5 to 50kg
- Working ranges from 200 to 2.000mm
- Specially supported arm joints
- Up to 200 ISO cycles per minute
- Can be integrated into the system control
- Web based user interface
- Very low maintenance

# DR4020C-AX0.5

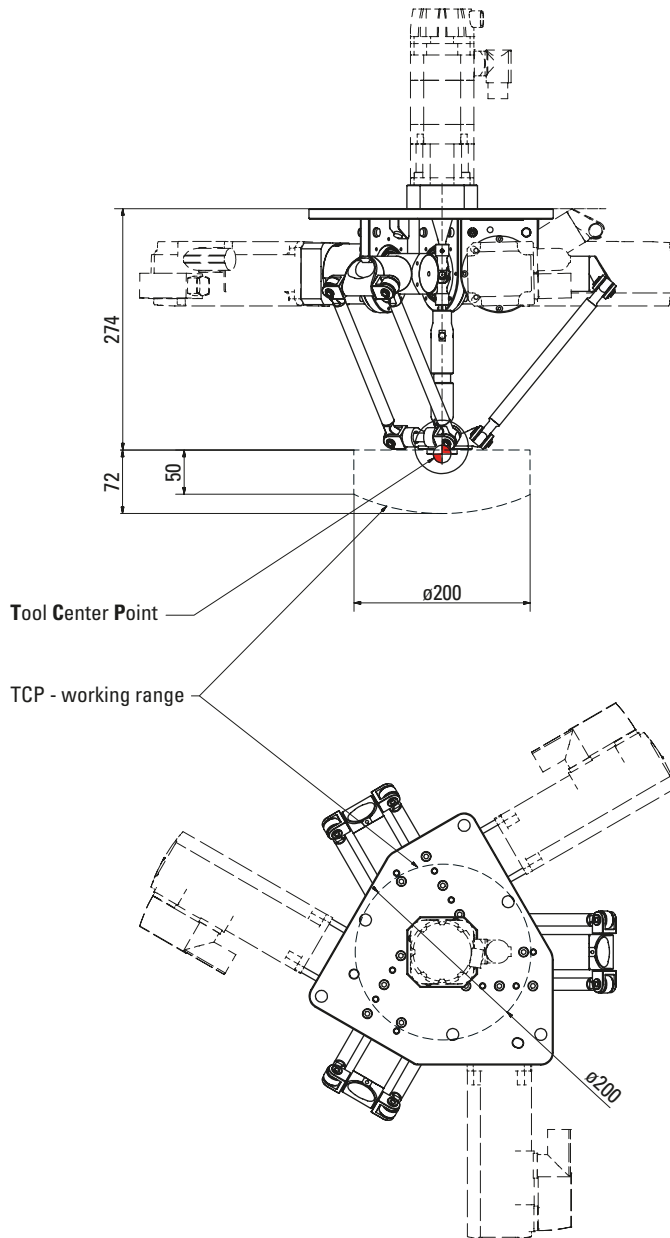


Nominal payload: **0.5 kg**



Diameter of working space: **200 mm**

## DIMENSIONS



## TECHNICAL SPECIFICATIONS

Number of translational axes	3	Repeat accuracy translatory	$\pm 0,01$ mm*
Number of rotational axes	1	Internal media supply 4th axis	No
Nominal payload	0.5 kg	Ambient temperature	0-40 °C
Diameter of working space	200 mm	Relative humidity	20-80 %
Height of working space	50 (72) mm	Weight robot	21 kg

\*depending on the application

# DR4040C-AX0.5

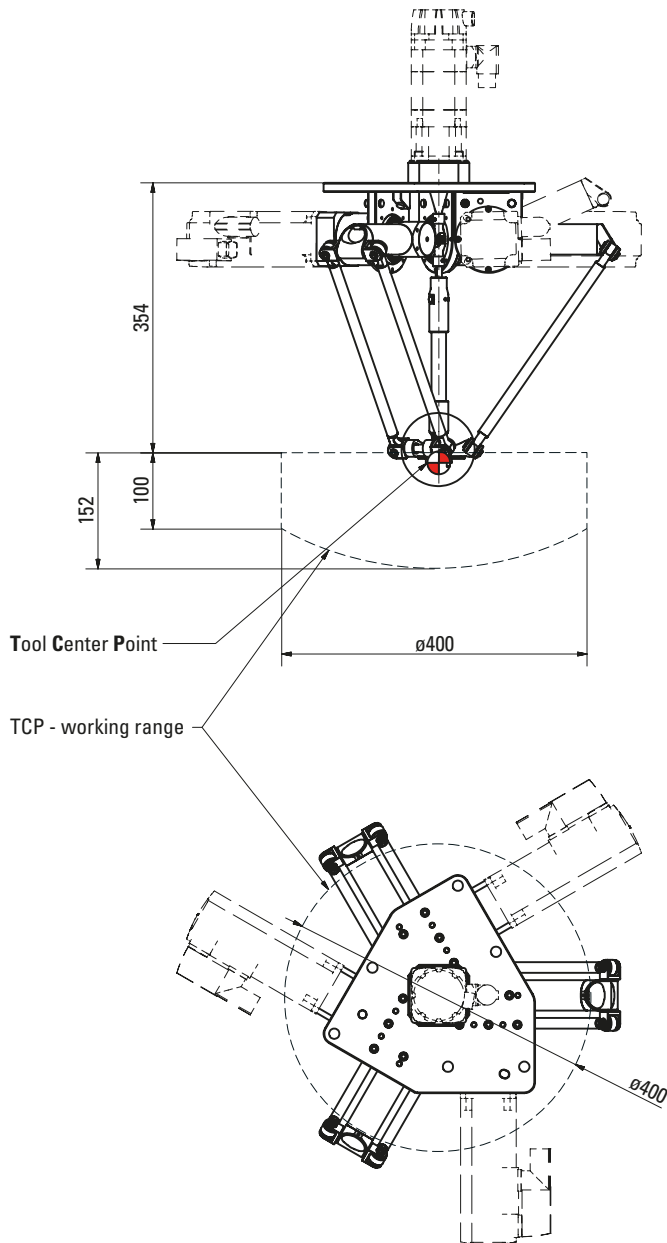


Nominal payload: **0.5 kg**



Diameter of working space: **400 mm**

## DIMENSIONS



## TECHNICAL SPECIFICATIONS

Number of translational axes	3	Repeat accuracy translatory	±0,01 mm*
Number of rotational axes	1	Internal media supply 4th axis	No
Nominal payload	0.5 kg	Ambient temperature	0-40 °C
Diameter of working space	400 mm	Relative humidity	20-80 %
Height of working space	100 (152) mm	Weight robot	21 kg

\*depending on the application

# DR4050C-AX0.5

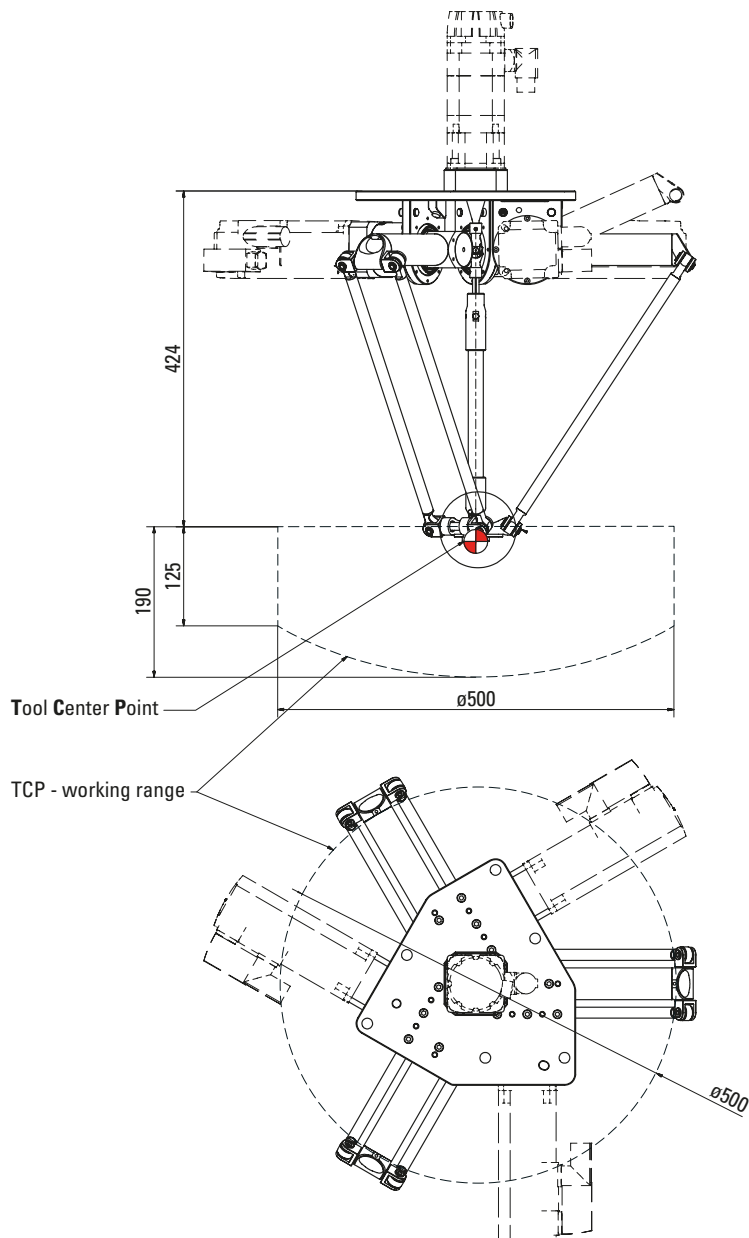


Nominal payload: **0.5 kg**



Diameter of working space: **500 mm**

## DIMENSIONS



## TECHNICAL SPECIFICATIONS

Number of translational axes	3	Repeat accuracy translatory	±0,01 mm*
Number of rotational axes	1	Internal media supply 4th axis	No
Nominal payload	0.5 kg	Ambient temperature	0-40 °C
Diameter of working space	500 mm	Relative humidity	20-80 %
Height of working space	125 (190) mm	Weight robot	22 kg

\*depending on the application

# DR4090C-AX001

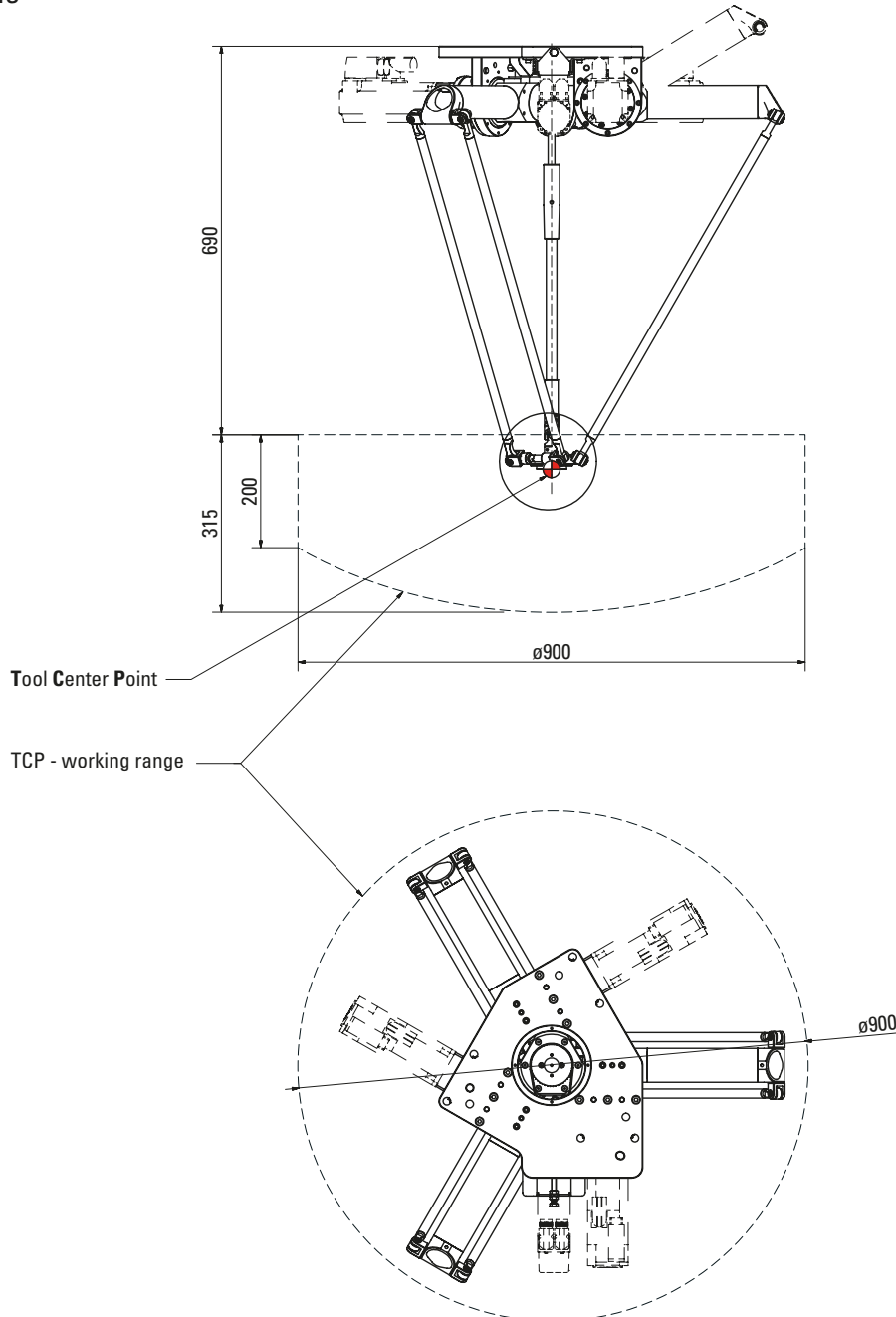


Nominal payload: **1 kg**



Diameter of working space: **900 mm**

## DIMENSIONS

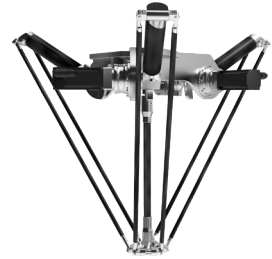


## TECHNICAL SPECIFICATIONS

Number of translational axes	3	Repeat accuracy translatory	±0,05 mm*
Number of rotational axes	1	Internal media supply 4th axis	No
Nominal payload	1 kg	Ambient temperature	0-40 °C
Diameter of working space	900 mm	Relative humidity	20-80 %
Height of working space	200 (315) mm	Weight robot	37 kg

\*depending on the application

# DR4120C-AX001

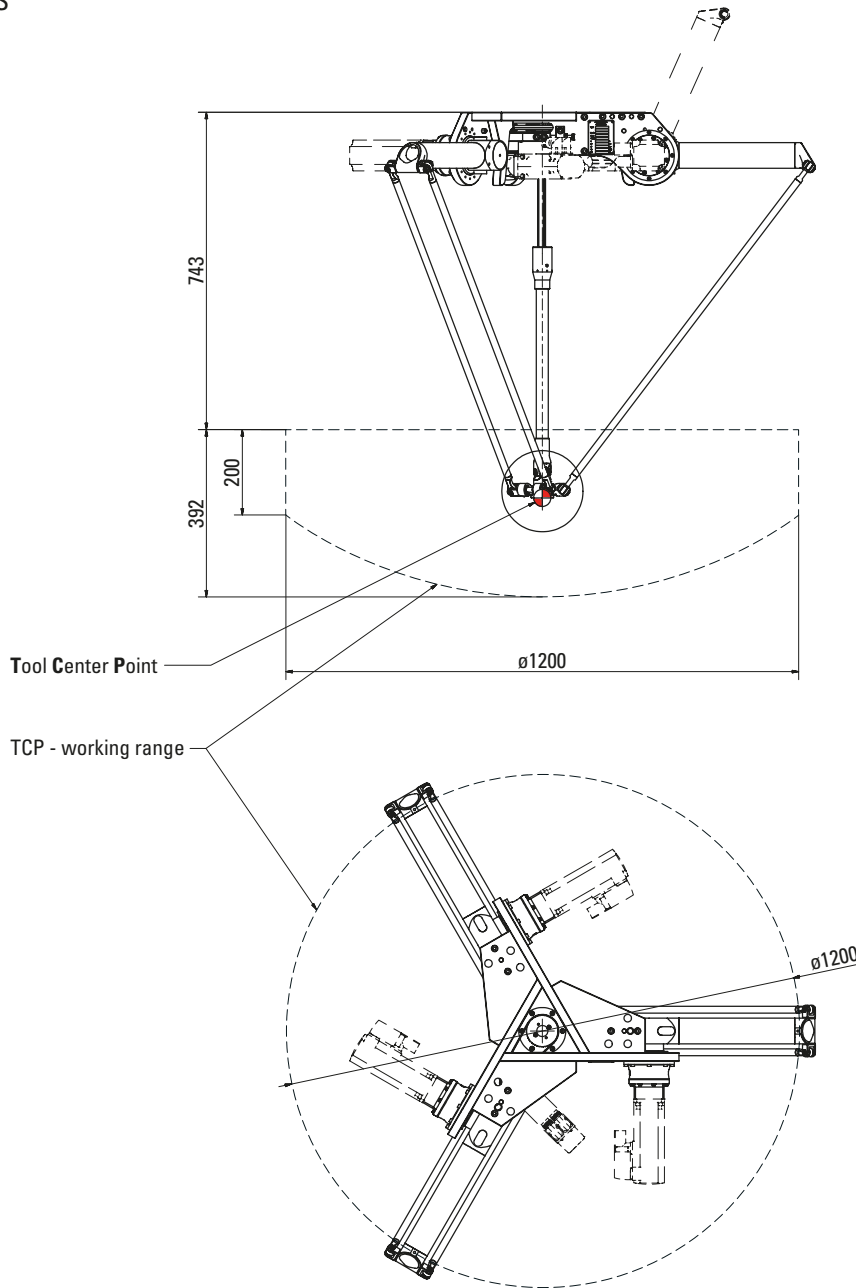


Nominal payload: **1 kg**



Diameter of working space: **1200 mm**

## DIMENSIONS



## TECHNICAL SPECIFICATIONS

Number of translational axes	3	Repeat accuracy translatory	±0,05 mm*
Number of rotational axes	1	Internal media supply 4th axis	No
Nominal payload	1 kg	Ambient temperature	0-40 °C
Diameter of working space	1200 mm	Relative humidity	20-80 %
Height of working space	200 (392) mm	Weight robot	45 kg

\*depending on the application



# DR4090C-AX003

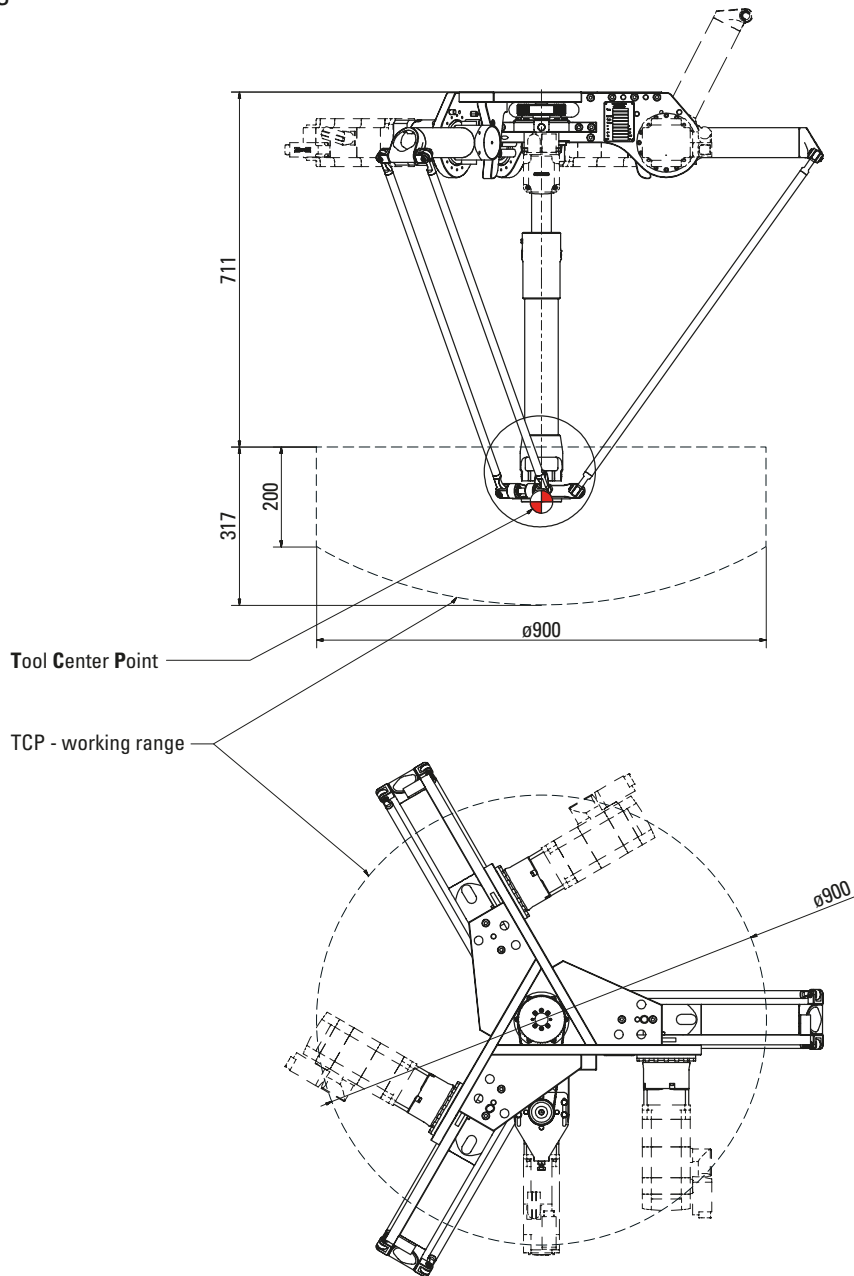


Nominal payload: **3 kg**



Diameter of working space: **900 mm**

## DIMENSIONS



## TECHNICAL SPECIFICATIONS

Number of translational axes	3	Repeat accuracy translatory	±0,05 mm*
Number of rotational axes	1	Internal media supply 4th axis	Yes
Nominal payload	3 kg	Ambient temperature	0-40 °C
Diameter of working space	900 mm	Relative humidity	20-80 %
Height of working space	200 (317) mm	Weight robot	59 kg

\*depending on the application

# DR4120C-AX003

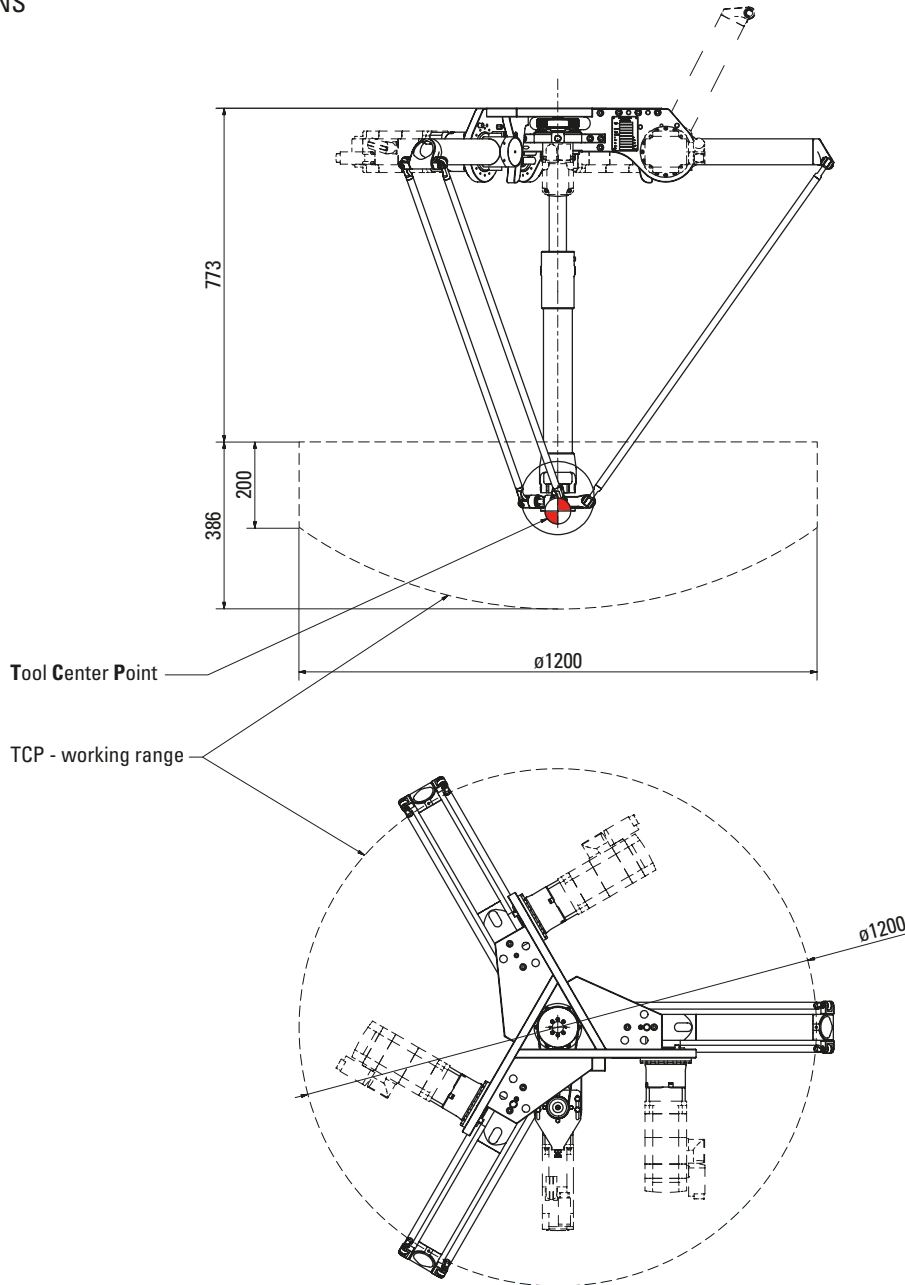


Nominal payload: **3 kg**



Diameter of working space: **1200 mm**

## DIMENSIONS



## TECHNICAL SPECIFICATIONS

Number of translational axes	3	Repeat accuracy translatory	±0,05 mm*
Number of rotational axes	1	Internal media supply 4th axis	Yes
Nominal payload	3 kg	Ambient temperature	0-40 °C
Diameter of working space	1200 mm	Relative humidity	20-80 %
Height of working space	200 (386) mm	Weight robot	61 kg

\*depending on the application

# DR4090C-AX006

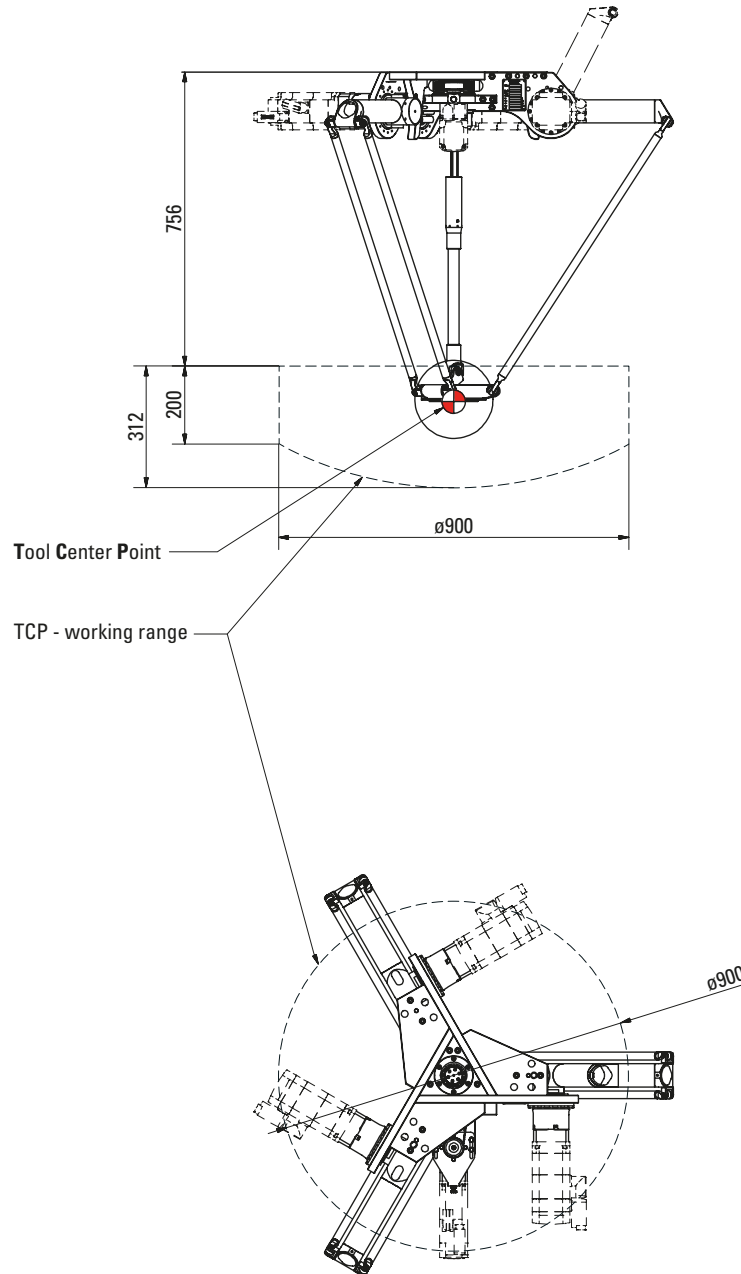


Nominal payload: **6 kg**



Diameter of working space: **900 mm**

## DIMENSIONS



## TECHNICAL SPECIFICATIONS

Number of translational axes	3	Repeat accuracy translatory	±0,05 mm*
Number of rotational axes	1	Internal media supply 4th axis	No
Nominal payload	6 kg	Ambient temperature	0-40 °C
Diameter of working space	900 mm	Relative humidity	20-80 %
Height of working space	200 (312) mm	Weight robot	61 kg

\*depending on the application

# DR4120C-AX006

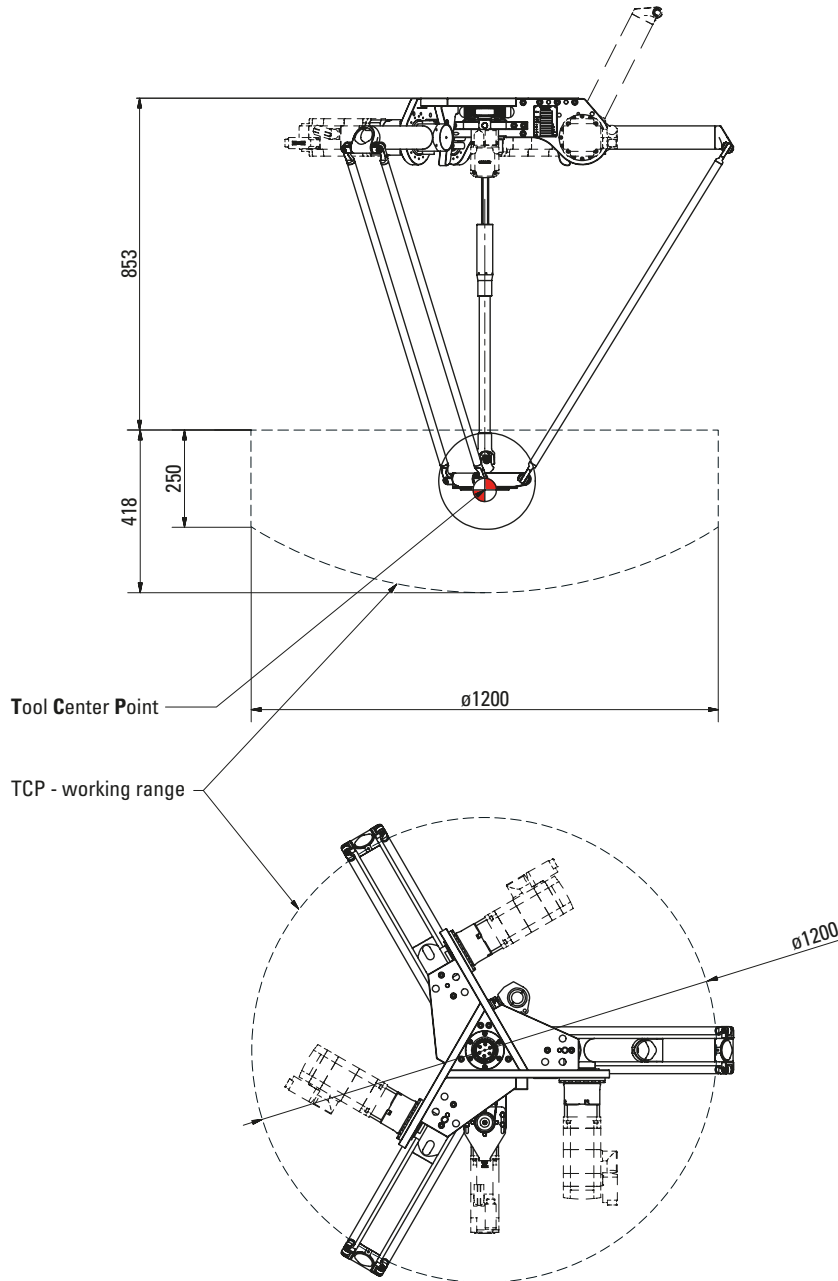


Nominal payload: **6 kg**



Diameter of working space: **1200 mm**

## DIMENSIONS



## TECHNICAL SPECIFICATIONS

Number of translational axes	3	Repeat accuracy translatory	±0,05 mm*
Number of rotational axes	1	Internal media supply 4th axis	No
Nominal payload	6 kg	Ambient temperature	0-40 °C
Diameter of working space	1200 mm	Relative humidity	20-80 %
Height of working space	250 (418) mm	Weight robot	62 kg

\*depending on the application

# DR4140C-AX006

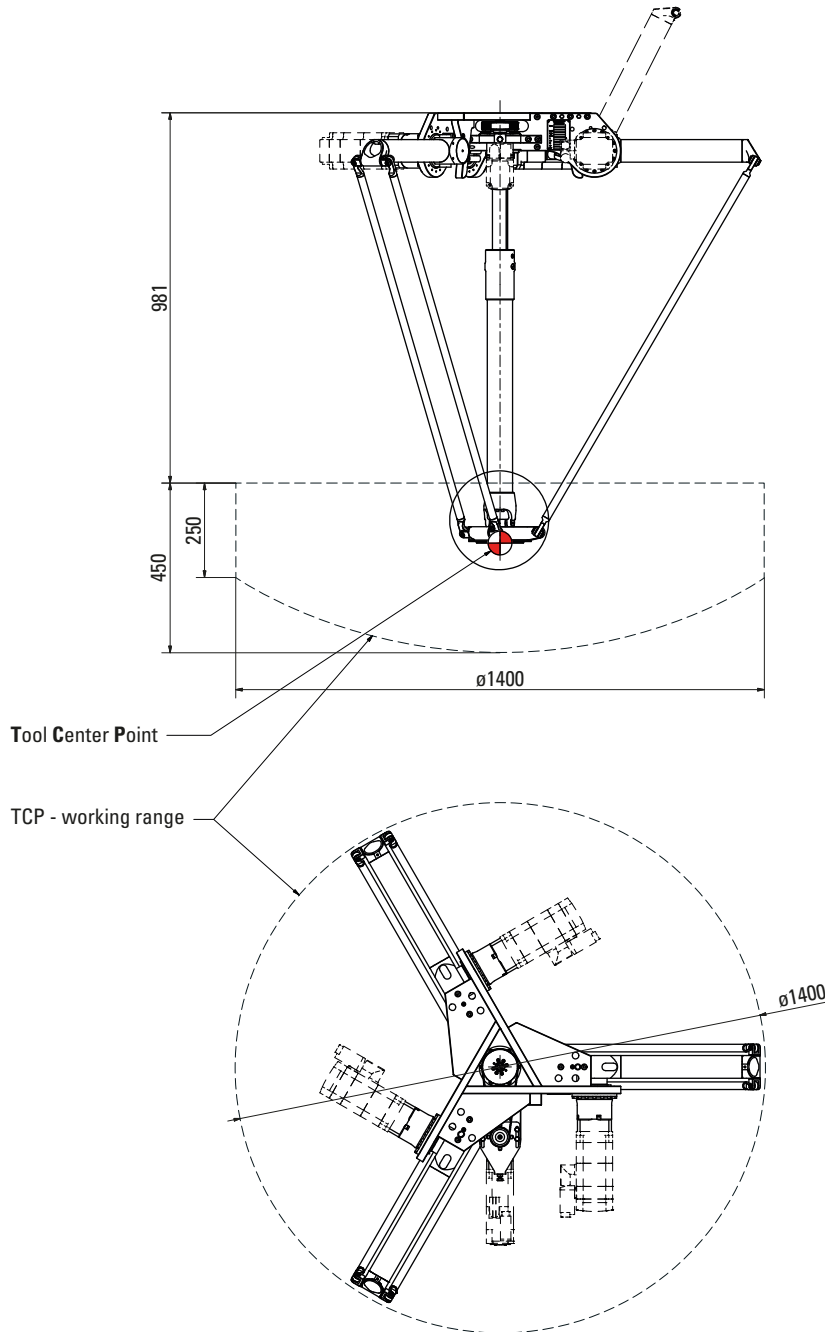


Nominal payload: **6 kg**



Diameter of working space: **1400 mm**

## DIMENSIONS



## TECHNICAL SPECIFICATIONS

Number of translational axes	3	Repeat accuracy translatory	±0,05 mm*
Number of rotational axes	1	Internal media supply 4th axis	Yes
Nominal payload	6 kg	Ambient temperature	0-40 °C
Diameter of working space	1400 mm	Relative humidity	20-80 %
Height of working space	250 (450) mm	Weight robot	79 kg

\*depending on the application

# DR4120C-AX012

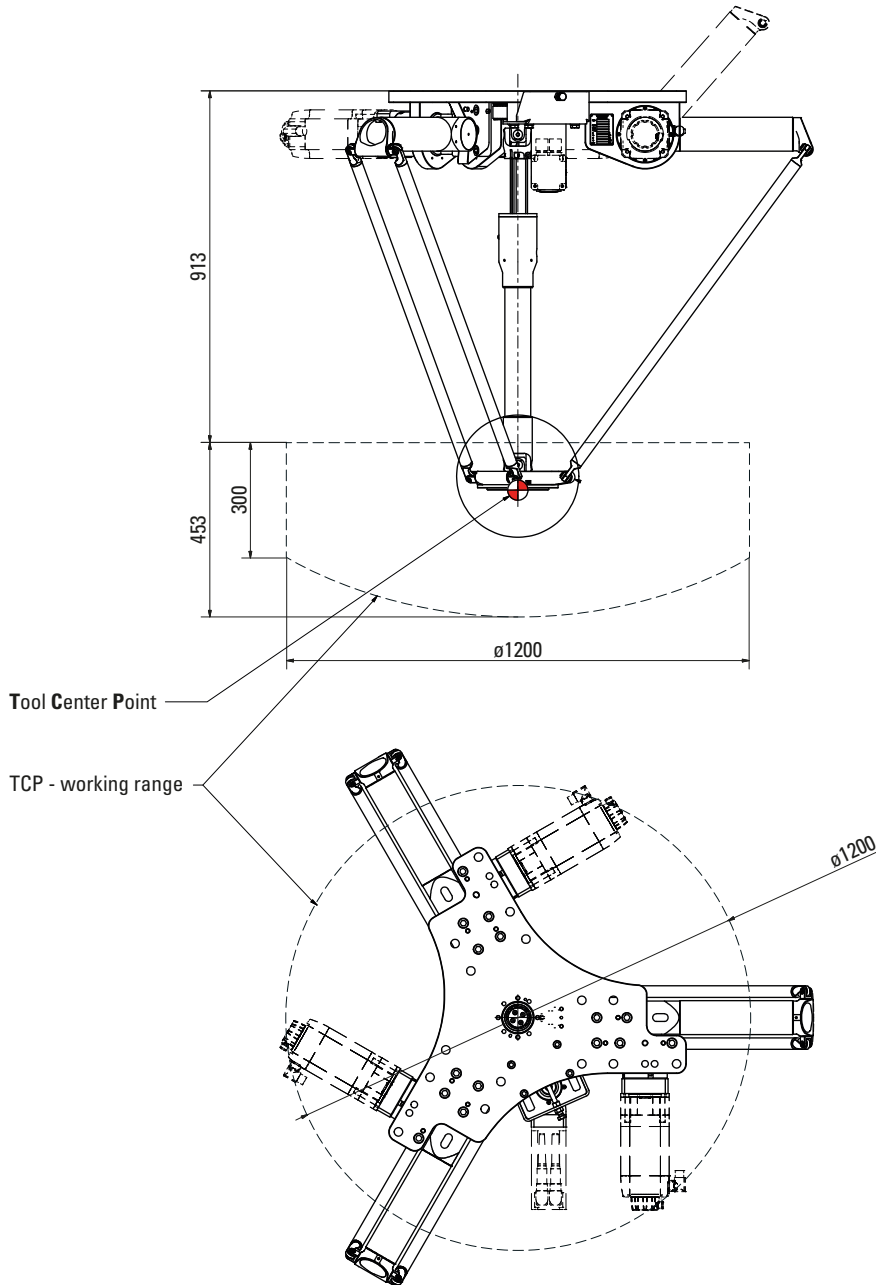


Nominal payload: **12 kg**



Diameter of working space: **1200 mm**

## DIMENSIONS



## TECHNICAL SPECIFICATIONS

Number of translational axes	3	Repeat accuracy translatory	±0,05 mm*
Number of rotational axes	1	Internal media supply 4th axis	Yes
Nominal payload	12 kg	Ambient temperature	0-40 °C
Diameter of working space	1200 mm	Relative humidity	20-80 %
Height of working space	300 (453) mm	Weight robot	125 kg

\*depending on the application

# DR4140C-AX012

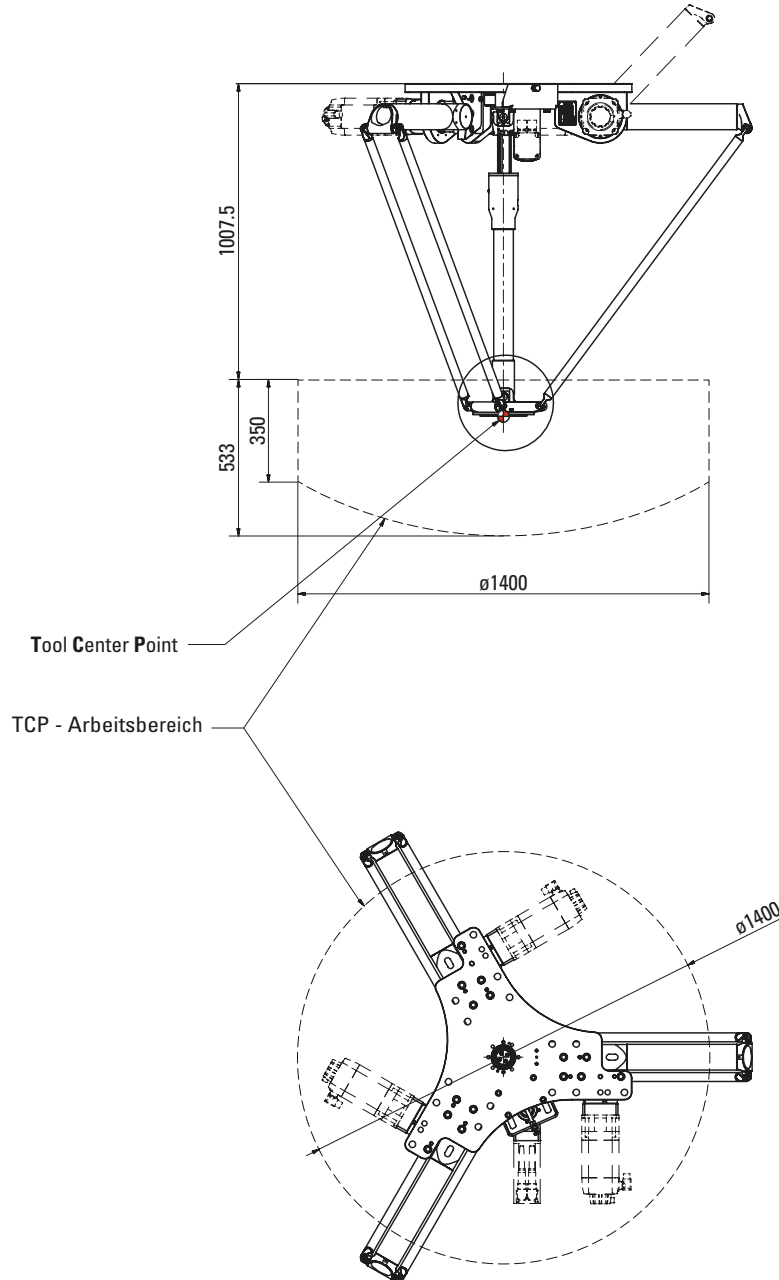


Nominal payload: **12 kg**



Diameter of working space: **1400 mm**

## DIMENSIONS



## TECHNICAL SPECIFICATIONS

Number of translational axes	3	Repeat accuracy translatory	±0,05 mm*
Number of rotational axes	1	Internal media supply 4th axis	Yes
Nominal payload	12 kg	Ambient temperature	0-40 °C
Diameter of working space	1400 mm	Relative humidity	20-80 %
Height of working space	350 (533) mm	Weight robot	132 kg

\*depending on the application

# DR4160C-AX012

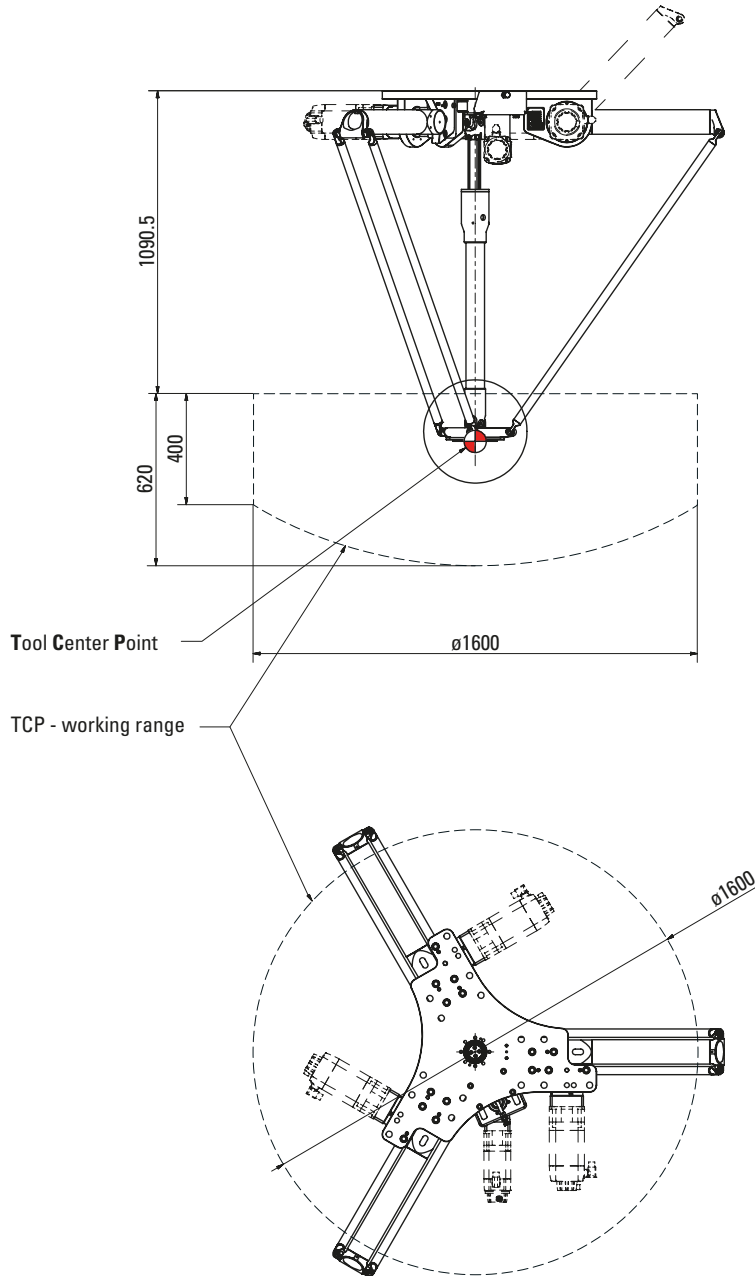


Nominal payload: **12 kg**



Diameter of working space: **1600 mm**

## DIMENSIONS



## TECHNICAL SPECIFICATIONS

Number of translational axes	3	Repeat accuracy translatory	$\pm 0,05 \text{ mm}^*$
Number of rotational axes	1	Internal media supply 4th axis	Yes
Nominal payload	12 kg	Ambient temperature	0-40 °C
Diameter of working space	1600 mm	Relative humidity	20-80 %
Height of working space	400 (620) mm	Weight robot	134 kg

\*depending on the application





INSPIRING PEOPLE **GREAT SOLUTIONS**

**WEISS GMBH**

Siemensstrasse 17 74722 Buchen Germany  
Phone +49 6281 5208-0 Fax +49 6281 5208-99  
info@weiss-world.com  
www.weiss-world.com

**Disclaimer**

The WEISS product catalogue has been compiled with the greatest of care. Nonetheless, the details given are only for non-binding general information and do not replace in-depth individual consulting for a purchase decision. WEISS GmbH assumes no liability for the correctness, completeness, quality of the information provided nor that it is up to date. Liability for material defects and deficiencies in title pertaining to the information, in particular for its correctness, freedom from third-party intellectual property rights, completeness and usability is excluded – except in cases of intent or fraud. WEISS GmbH shall be freed from all other liability, unless it is mandatorily liable pursuant to the German Product Liability Law for intentional or fraudulent action or for a breach of significant contractual duties. Liability due to a breach of significant contractual duties is restricted to typical, foreseeable damages – except in cases of intent or gross negligence

**Copyright**

© WEISS GmbH, Buchen, Germany. All rights reserved. All content such as texts, images and graphics, as well as arrangements thereof, are subject to protection by copyright and other laws on the protection of intellectual property. Content of this catalogue may not be copied, distributed or changed for commercial purposes. Some content is further subject to third-party copyright. The intellectual property is protected by various laws such as the industrial property rights, trademark rights, and copyright of WEISS GmbH.