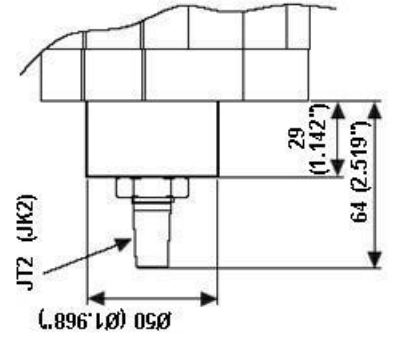
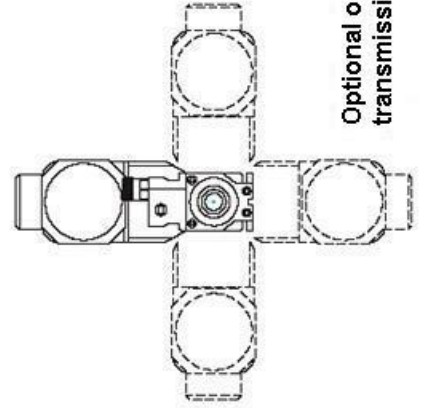
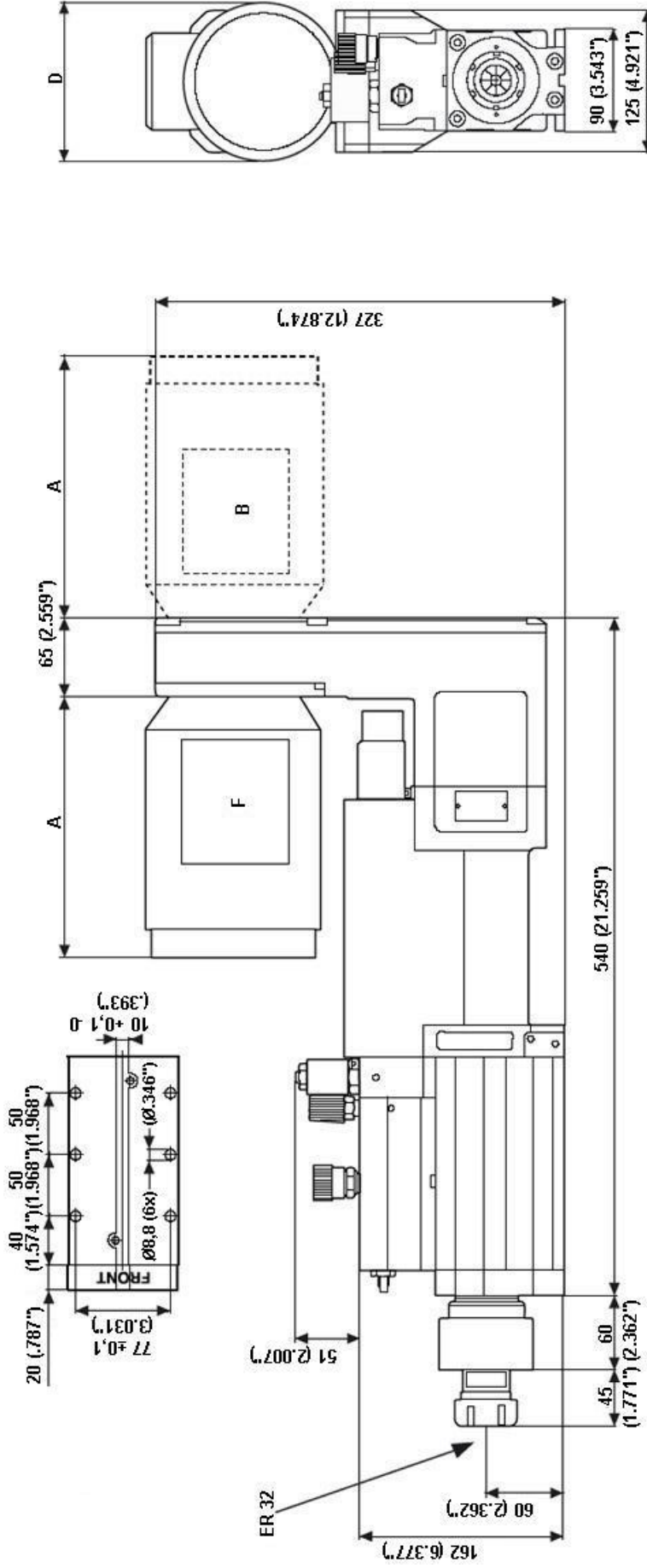


BEG 48

[mm (inch)]
Subject to changes.



BEG 481/482	BEG 485
A 210 (8.267")	230 (9.055")
D 130 (5.118")	150 (5.905")

Optional orientation of transmission housing (90° steps)