

TOOL HOLDERS

All E2 units are delivered ready for tools. E2 has selected a cost-effective tool holding solution for each unit, but if the application requires other holding tools, E2 offers a wide range of options.

FOR DRILLING, E2 OFFERS

- KEY CHUCKS
- DRILL CHUCKS
- PRECISION CHUCKS
- COLLET CHUCKS AND COLLETS

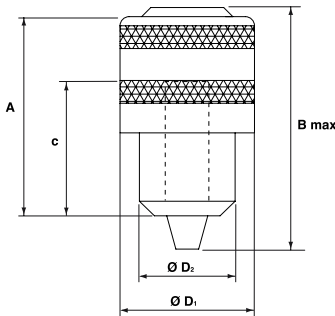
FOR TAPPING, E2 OFFERS

- QUICK-CHANGE CHUCK WITH TAP HOLDERS
- COLLETS WITH LENGTH COMPENSATION
- TAPPING SPINDLES WITH LENGTH COMPENSATION AND TAP HOLDERS



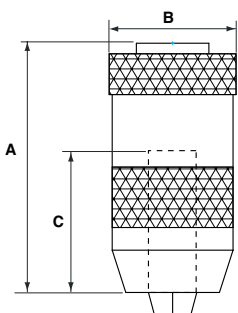
DRILLING

Key chucks



Dimensions [mm]					
KEY CHUCKS	A	B	C	D1	D2
0.5-6.5 3/8"-24	42.5	53	17	29.5	21
0.8-10.0 3/8"-24	49.5	61	24.5	34	24.5
0-13.0 JT2	69	90	34	52	40

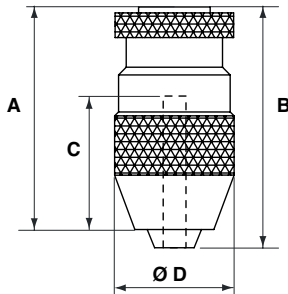
Drill chucks



Dimensions [mm]			
DRILL CHUCKS	A	B	C
0-10.0 JT2	83	ø42.5	20-31
3.0-16.0 JT2	95	ø46	20-39

When it's time to change tools, many people prefer using self-tightening keyless chucks for rapid tool changing.

Precision chucks

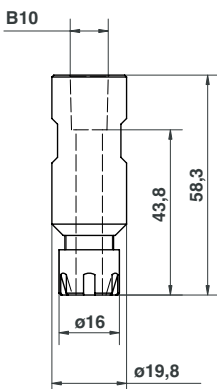
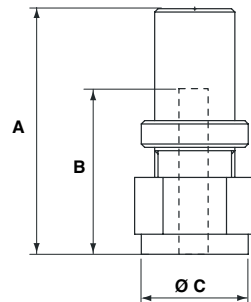


Dimensions [mm]				
PRECISION CHUCKS	A	B	C	D
0-3.0 B10	44	47.5	ca 11-15	ø24
0-5.0 B10	56	61.5	ca 12-18	ø30
0-8.0 B10	69	77.5	ca 16-24	ø38

The E2 selection of precision chucks has been chosen to maintain the unit's precision as far as possible right through to the tool. Keyless self-tightening chucks as well as collet chucks are available.

Collet chucks and Collets

Collet chuck systems offer more reliable clamping with regard to repeatability plus precision and clamping force.

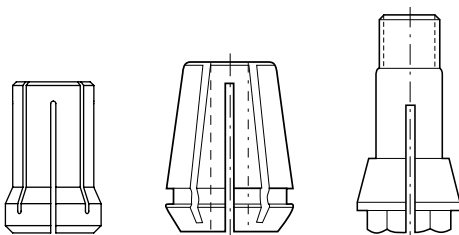


Precision collet chuck
ER11 0.5-8.0 mm

Dimensions [mm]			
COLLET CHUCKS	A	B	C
1.0-10.0 DA200 3/8"-24	49	ø36	ø20.5
3.0-20.0 DA180 3/8"-24	63	ø46,5	ø43.5
2.0-14.0 DA100 JT2	71	ø48	ø36.5
3.0-20.0 DA 180 MT2	63	ø46.5	38

Dimensions [mm]				
COLLETS	NOMINAL		INCREMENTS	CLAMPING RANGE
	Min ø	Max ø		
DA200	1.0	10.0	0.5	-0.8
DA180	3.0	20.0	0.5	-0.8
DA100	2.0	14.0	0.5	-0.8
ER8	1.0	5.0	0.5	-0.5
ER11	1.0	8.0	0.5	-0.5
ER16	1.0	12.0	0.5	-1.0*
ER20	1.0	15.0	0.5	-1.0*
ER32	2.0	20.0	0.5	-1.0
44	1.0	4.0	0.1	-0.1
60	1.0	6.3	0.1	-0.1
80	1.5	8.5	0.1	-0.1
130	1.0	14.0	0.25**	-0.25**

Here we present the specifications of collets for the above chucks, as well as the integrated tool holders that are used in E2 range of multi-spindle heads.



Clamping range -0.8 mm i.e. ø 10.0 covers 9.2-10.0 mm

*ER16 and ER20 Clamping range only 0.5 mm at 1.0 and 1.5 mm nominal diameter

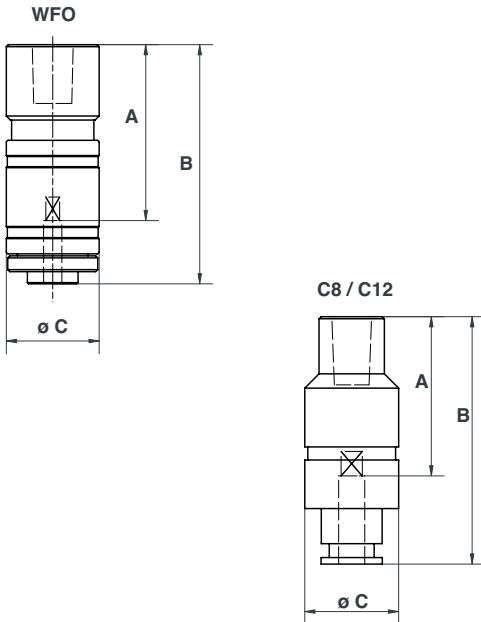
**0.1 mm up to 10.0 mm diameter

On www.e2systems.com you can find more information as well as the same information as above in imperial units.

When requesting a quote or ordering, please state: **Product and i.a. Collet size**

TAPPING

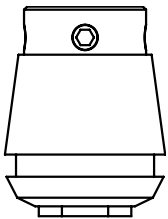
Quick-change chucks with Tap holders



Dimensions [mm]			
CHUCKS	A	B	C
WFO B10	43.4	59.0	ø22.9
WFO B12	46.9	62.5	ø22.9
C8 JT1	39.0	60.6	ø23.0
C12 B12	44–49	64–66	ø30.0

Available in ISO, ANSI and DIN.

Collets with length compensation

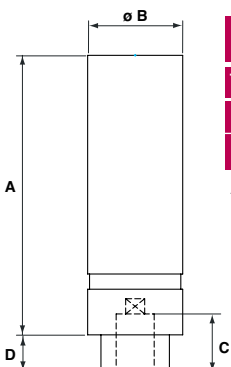


For tapping when relatively short length compensation is required, E2 offers ER collets with expansion compensation suitable for use with E2 units. These can be used in all ER chucks and tool holders (on multi-spindle heads) made for ER collets.

Specifications [mm]					
COLLETS	SHAFT DIAMETER		THREAD SIZE		LENGTH COMPENSATION
	Min ø	Max ø	Min	Max	Max
ER16-ET1 16	1.4	6.3	M0.7	M6	7
ER20-ET1 20	2.2	7.0	M1	M8	7
ER32-ET1 32	4.5	12.5	M4	M12	10

Available in ISO, ANSI and DIN.

Tapping spindles with length compensation and Tap holders



Dimensions [mm]					
TAPPING SPINDLE	A	B	C	D	LENGTH COMPENSATION
GS12E JT2	108–133	ø30	17–20	15–17	25
GS24E B18*	147–187	ø50	30	19–29	40

Available in ISO, ANSI and DIN.

When greater length compensation is required, E2 offers tapping spindles. These tapping attachments provide maximum total length compensation that can be used for expansion, compression or both.

* BEG 48 ER 32 + B18/ø16 taper shank
BEG 55 MT2 + B18/MT2 taper shank