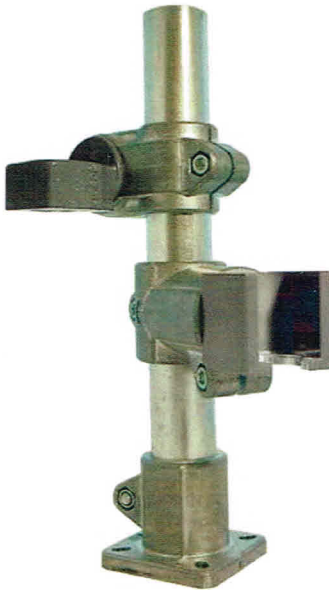



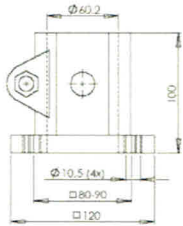

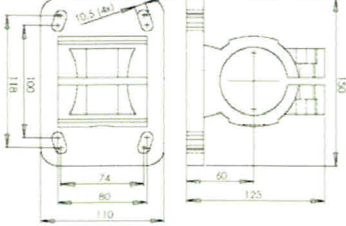

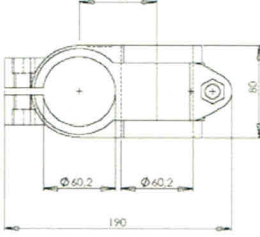

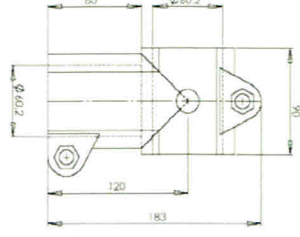

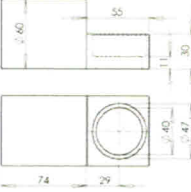

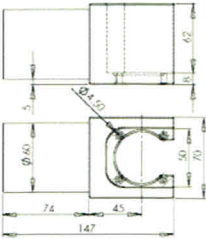

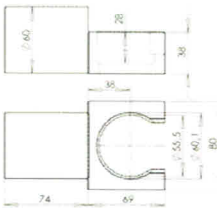
Mountings for Drilling and Tapping units



E2 offers a series of equipment for mounting the E2 units. The mountings are stable and easily adjustable to orientate the units the way you like them. The column dimension is $\varnothing 60$ and we offer the length you request.

This equipment is complementary to the options the different units give for mounting in other ways. These ways are described in the catalogue for the specific units.

The parts can be downloaded as 3D models from www.e2systems.com

<p>Base clamp</p>  	<p>Angled base clamp</p>  
<p>Angled mount</p>  	<p>Straight mount</p>  
<p>Swivel clamp BE21</p>  	<p>Swivel clamp BE22</p>  
<p>Swivel clamp BE33</p>  	<p>Swivel clamp LS22</p> 