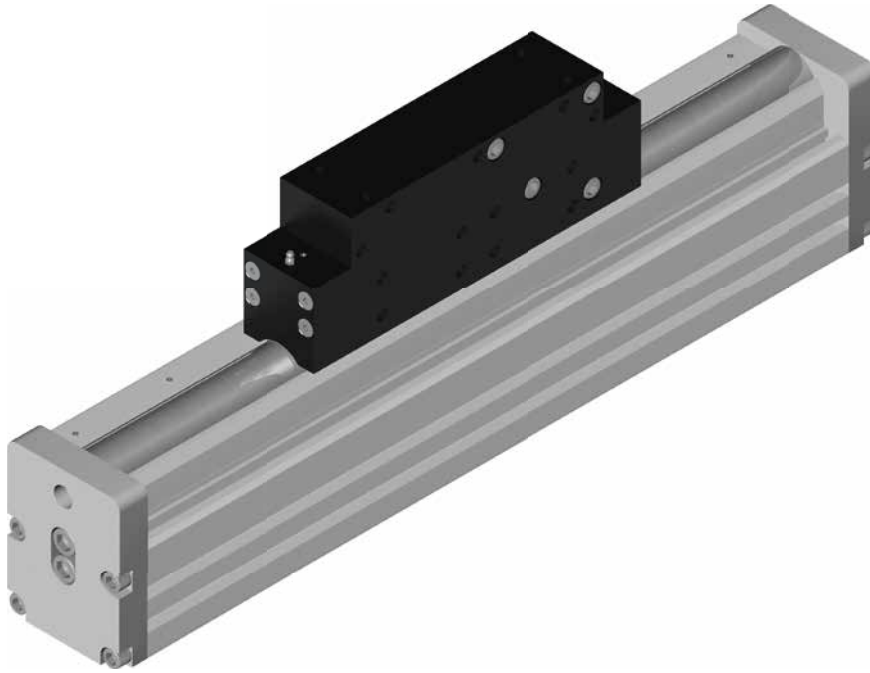


Positioning system SLTR 30, 50



Function:

The guide body consists of an aluminium square profile with a guide rod clamped into it on the upper side free of play. A roller pack containing 2 rollers moves along the guide body. The roller pack is secured against derailing by means of a lateral claw. The system is not driven. The number of roller packs is limited due to the length. The system may be extended according to your needs by means of the connecting brackets available as accessories.

Fitting position: horizontal, any max. length

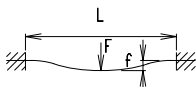
Unit mounting: by T-Nuts and mounting profiles at the side of the profile

<p>Forces and torques</p>	Size	SLTR 30	SLTR 50
	Forces / Torques	static	static
	F_z (N)	8400	17500
	Geometrical moments of inertia of aluminium profile		
	I_x mm ⁴	$2,10 \times 10^7$	$8,70 \times 10^7$
	I_y mm ⁴	$3,00 \times 10^7$	$10,80 \times 10^7$
	Elastic modulus N/mm ²	70000	70000

17.1

Deflection:

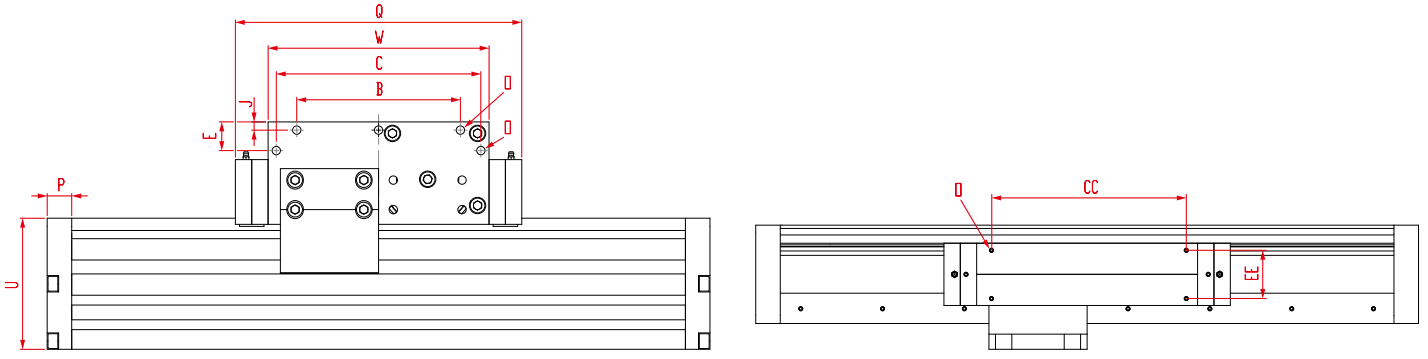
$$f = \frac{F \cdot L^3}{E \cdot I \cdot 192}$$



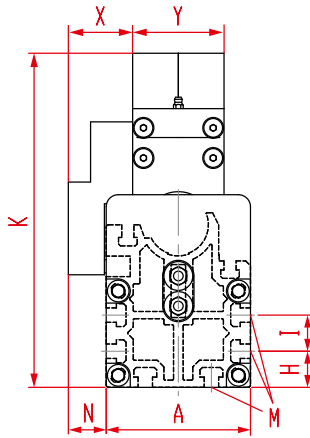
- f = deflection (mm)
- F = load (N)
- L = free length (mm)
- E = elastic modulus 70000 (N/mm²)
- I = second moment of area (mm⁴)

Positioning system SLTR 30, 50

Dimensions (mm)



Size □	Basic length L	B	C	CC	E	EE	J	O	P	Q	U	W	Basic weight	Weight per 100 mm
SLTR 30	340	160	210	184	23	36	12	M10	25	290	115	230	14,5 kg	1,58 kg
SLTR 50	410	186	250	215	35	50	10	M12	30	350	160	270	33,0 kg	3,37 kg



Size □	A	H	I	K	M	N	X	Y
SLTR 30	80	24	22	206	M8	28	40	56
SLTR 50	120	30	30	277,5	M10	31,5	53,5	76

R Drive variation:
(R) without drive

50 Guide rod size / size
Ø=30 mm (SLTR30), Ø=50 mm (SLTR50)

0 Choice of guide body profile:
(0) Standard (2) corrosion-protected guide rods and screws
(4) expanded corrosion-protected version (depending on the availability of components)

2 Choice of carriage*
(0) without (1) 1 carriage (2) 2 carriages (3) 3 carriages (4) 4 carriages
* = each carriage has got 2 rollers

910 Basic length + stroke = total length

SLT R 50 0 0 2 0 0 0 0 00910

Pos. 1 2 3 4 5 6 7

Sample ordering code:
SLTR 50, 50 mm guide rods, Standard profil, 2 carriages, Stroke 500 mm

17.1