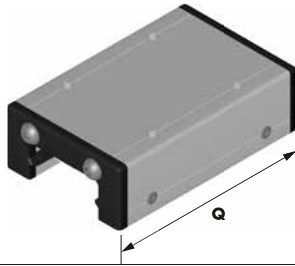




## Spare parts

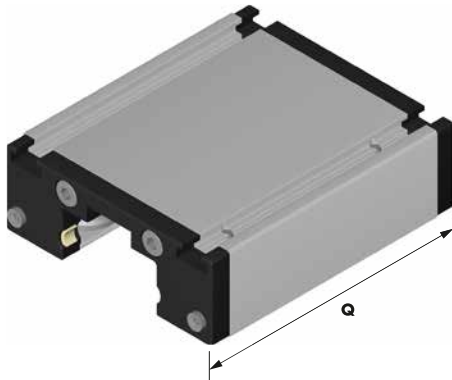
## Complete carriage EG



Additional complete carriage with V-slides and end plates.

Code-No.	Type	Q <sub>Standard</sub>	Q <sub>max.</sub>
04532	EG 30	82	1000
04542	EG 40	117	1000
04562	EG 60	165	1000
04582	EG 80	193	1000

## Complete carriage EL/ML



Additional complete carriage with rollers, eccentrics and wiper end plates for free rolling. Temperature: Up to 100° C.

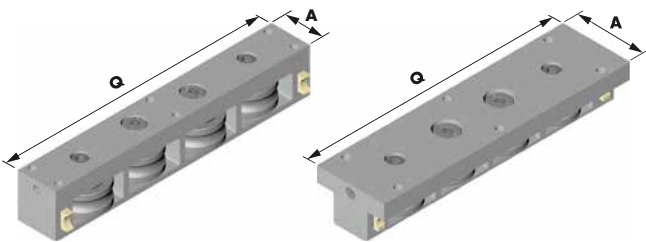
without Slider <sup>2)</sup>	Code-No.	Type	Q <sub>Standard</sub>	Q <sub>max.</sub>
	04531	EL 30	82	3000
	04541	EL 40	122	3000
	04561	EL/ML 60	168	3000
	04560	EL/ML 60S	194	3000
	04581	EL/ML 80	194	3000
	04580	EL/ML 80S	214	3000
	04511	EL/ML 100	300	2000
04521	EL 125	365	2000	

with Slider <sup>1)</sup>	Code-No.	Type	Q <sub>Standard</sub>	Q <sub>max.</sub>
	045311	EL 30	82	3000
	045411	EL 40	122	3000
	045611	EL 60	168	3000
	045601	EL 60S	194	3000
	045811	EL 80	194	3000
	045801	EL 80S	214	3000
	045111	EL 100	300	2000
045211	EL 125	365	2000	

1) ELT/K, ELVZ, ELHZ

2) ELZ, ELZT, ELZU, ELZA, ELZQ, MLZ

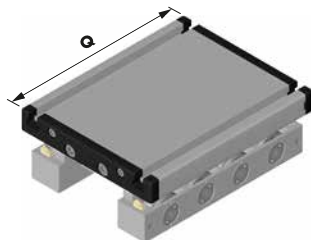
## Complete carriage UL



Carriage with rollers, eccentrics and end plates. Temperature: Up to 100° C.

Code-No.	Type	A	Q
045471	UL 40	40	146
045472	UL 40	20	146
045671	UL 60	60	194
045672	UL 60	29	194
045871	UL 80	80	260
045872	UL 80	42	260

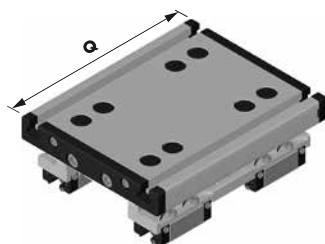
## Complete carriage DL



Standard carriage with 2x4 rollers, eccentrics and end plates. Temperature: Up to 100° C. Different versions by inquiry.

Code-No.	Type	Q <sub>Standard</sub>	Q <sub>max.</sub>
04591	DL 120	156	3000
04590	DL 160	200	3000
04592	DL 200	270	3000

## Complete carriage DS



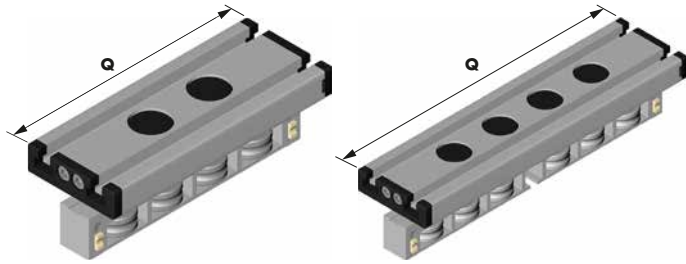
Carriage with four runner blocks and end plates. Temperature: Up to 100° C. Different versions by inquiry.

Code-No.	Type	Q <sub>Standard</sub>	Q <sub>max.</sub>
045700	DS 120	156	3000
045710	DS 160	200	3000
045720	DS 200	270	3000

# Spare parts

## Carriages

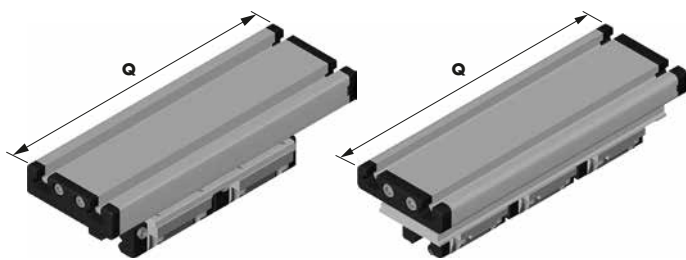
### Carriage QL



Carriage with rollers, eccentrics and end plates.  
Temperature: Up to 100° C. Different versions by inquiry.

Code-Nr.	Type	Q <sub>Standard</sub>	Number of rollers
04593A	QL 60	152	4
04593B	QL 60	192	5
04593C	QL 60	232	6
04594A	QL 80	196	4
04594B	QL 80	246	5
04594C	QL 80	296	6
04595A	QL 100	260	4
04595B	QL 100	320	5
04595C	QL 100	388	2x2
04595D	QL 100	388	2x3

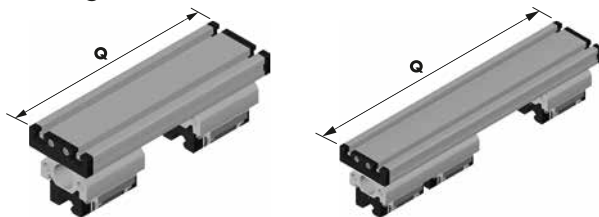
### Carriage QS



Carriage with 2 runner blocks and end plates.  
Temperature: Up to 100° C Different versions by inquiry.

Code-Nr.	Type	Q <sub>Standard</sub>	Number of Runnerblocks
045970	QS 60	177	2
045973	QS 60	242	3
045980	QS 80	232	2
045983	QS 80	312	3
045990	QS 100	268	2
045993	QS 100	362	3
04550	QS 125	300	2
045502	QS 125	365	3

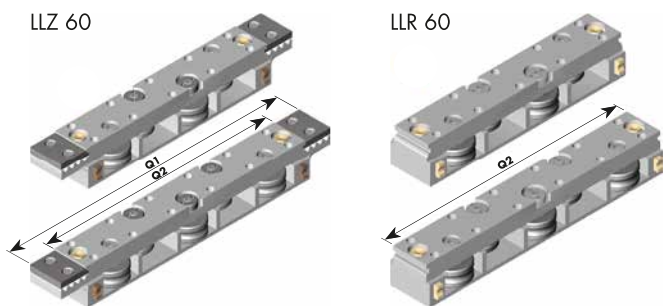
### Carriage QST/K



Carriage with 2 runner blocks and end plates without leading nut.  
Temperature: Up to 100° C. Different versions by inquiry.

Code-Nr.	Type	Q <sub>Standard</sub>	Q <sub>max.</sub>
045974	QST/K 60	188	3000
045984	QST/K 80	250	3000
045997	QST/K 100	288	3000

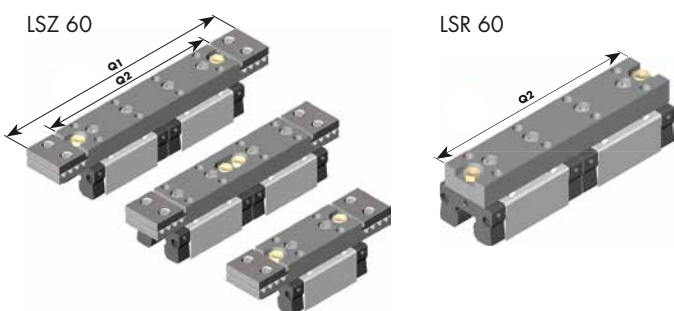
### Carriage LLZ 60 / LLR 60



Carriage with 5 or 4 rollers.

Code-No.	Type		Q1	Q2
045760-5	LLZ 60	5 rollers	215	175
045760-4	LLZ 60	4 rollers	184	144
045761-5	LLR 60	5 rollers	175	-
045761-4	LLR 60	4 rollers	144	-

### Carriage LSZ 60 / LSR 60



Carriage with 2 or 1 runner blocks.

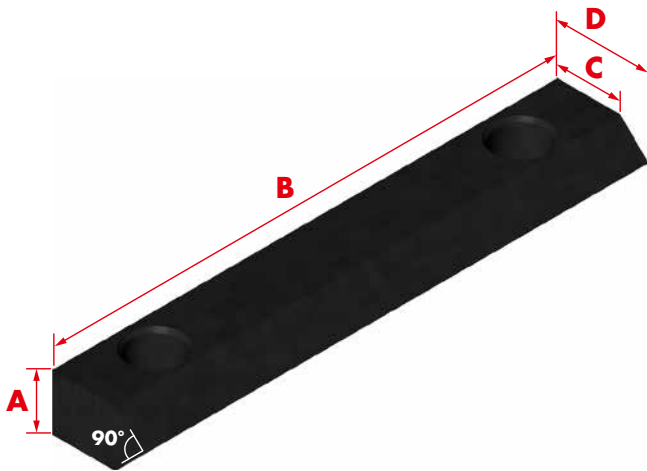
Code-No.	Type	Runner blocks	Q1	Q2
045762-1	LSZ 60	2	160	116
045762-2	LSZ 60	2	140	96
045762-3	LSZ 60	1	100	56
045763-1	LSR 60	2	116	-
045763-2	LSR 60	2	96	-
045763-3	LSR 60	1	56	-

# Spare parts

V-Slide | Carriage rollers | Carriage roller blocks | Runner blocks

## V-slide EG

Made of low-wear plastic with good sliding characteristics.  
2 pieces per carriage.



Code-No.	Type	A	B <sub>max.</sub>	C	D
04233	30	9,3	1.000	-	17,6
04243	40	8	1.000	9	13
04263	60	10	1.000	16	21
04283	80	14	1.000	22	29

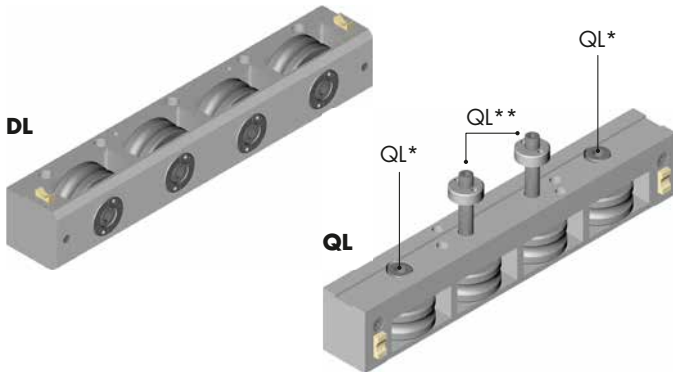
## Carriage roller



Standard roller. Stainless steel upon request.

Code-Nr.	Type	Name
04000	EL 30	LFR 687-2Z
04001	EL 40 / DL 120 / QL 60 / LLZ 60	LFR 608-2Z
04002	EL/ML 60 / DL 160 / QL 80	LR 10
04039	EL/ML 60S / DL 200 / QL 100	LFR 5302-2Z
04003	EL/ML 80	LR 12
04038	EL/ML 80S	LFR 5202-12-2RS
04004	EL/ML 100	LFR 5204-16-2RS
04009	EL 125	LFR 5206-20-2Z

## Carriage roller block DL - QL

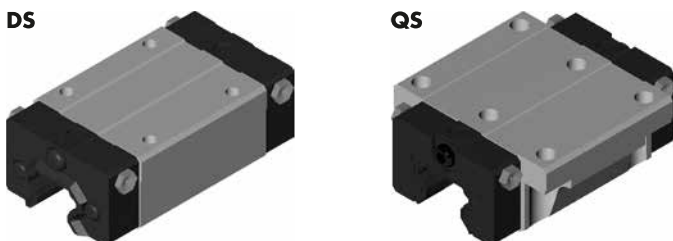


Made of aluminium, complete with rollers, eccentric and screws.

Code-No.	Type	Standard	By inquiry
04100	DL 120	4 rollers	3; 5; 2x3 rollers
04110	DL 160	4 rollers	3; 5; 2x3 rollers
04115	DL 200	4 rollers	3; 5; 2x3 rollers
04116	QL 60	4 rollers	5; 2x2; 2x3 rollers
04117	QL 80	4 rollers	5; 2x2; 2x3 rollers
04119	QL 100	4 rollers	5; 2x2; 2x3 rollers

\* for outside fixed roller  
\*\* for inner movable roller

## Runner block for DS - QS

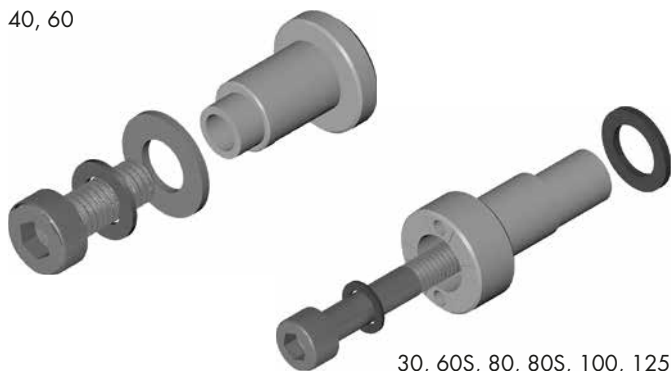


Code-No.	Type
04150	QS 60
04152	QS 80
04154	QS 100
04156	DS 120
04157	DS 160
04158	DS 200

# Spare parts

## Eccentric EL/ML

40, 60

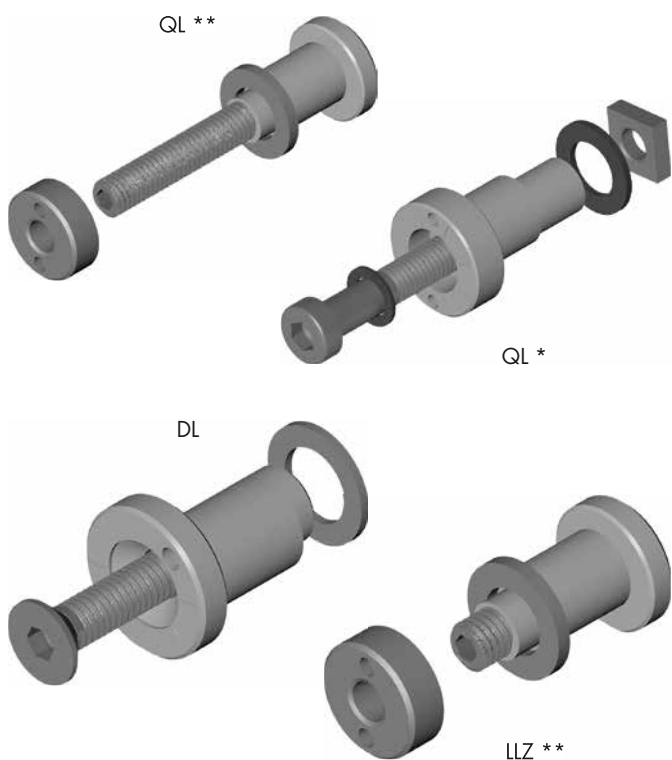


30, 60S, 80, 80S, 100, 125

Eccentric made of stainless steel with mounting accessories, screw, shims and safety washer.

Code-No.	Type	For roller
04050	EL 30	LFR 687-2Z
04051	EL 40	LFR 608-2Z
04052	EL/ML 60	LFR 5201-2Z
040521	EL/ML 60S	LFR 5302-2Z
04053	EL/ML 80	LFR 5201-12-2Z
04049	EL/ML 80S	LFR 5202-12-2RS
04054	EL 100	LFR 5204-16-2RS
04055	EL 125	LFR 5206-20-2Z

## Eccentric DL - QL - LL



Eccentric made of stainless steel with mounting set, screw, shims and safety washer. The front side has an embossed marking to enable uniform adjustment of rollers.

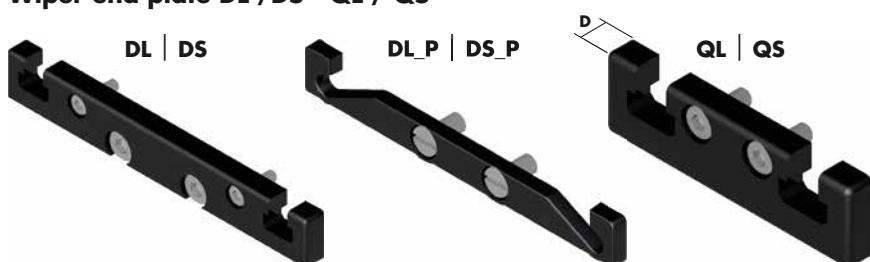
Code-No.	Type	For roller
04057	DL 120	LFR 608-2Z
04058	DL 160	LFR 5201-2Z
04059	DL 200	LR 5302-2Z
06060	QL 60*	LFR 608-2Z
06061	QL 60**	LFR 608-2Z
06080	QL 80*	LFR 5201-2Z
06081	QL 80**	LFR 5201-2Z
06010	QL 100*	LR 5302-2Z
06011	QL 100**	LR 5302-2Z
06060	LL 60*	LFR 608-2Z
06065	LL 60**	LFR 608-2Z

\* for outside fixed roller

\*\* for inner movable roller

For arrangement of the different rollers see „carriage roller block“ above.

## Wiper end plate DL / DS - QL / QS



Code-No.	Type	D	Material
04211	DL/DS 120	8	ABS
04212	DL/DS 160	10	ABS
04213	DL/DS 200	15	ABS
042110	DL_P/DS_P 120	6	ABS
042120	DL_P/DS_P 160	8	ABS
042130	DL_P/DS_P 200	8	ABS
04267	QL/QS 60	6	ABS
04287	QL/QS 80	8	ABS
04217	QL/QS 100	10	ABS
04218	QL/QS 125	15	AL

## Tool for eccentric adjustment



Fix tool			Adjust tool	
Type	Code-No.	Dimension	Code-No.	Dimension
EL 30	09019	T 10	09030	LK 9,5 ø 1,3
EL 30	09020	SW 2	09030	LK 9,5 ø 1,3
EL 40	09021	SW 4	09022	SW 5
EL 60	09022	SW 5	09023	SW 6
EL 60S	09023	SW 6	09036	LK 20 ø 2
EL 80	09022	SW 5	09031	LK 15 ø 2
EL 80S	09023	SW 6	09036	LK 20 ø 2
EL 100	09023	SW 6	09032	LK 24 ø 3
EL 125	09024	SW 8	09033	LK 32 ø 4

Fix tool			Adjust tool	
Type	Code-No.	Dimension	Code-No.	Dimension
DL 120	09025	SW 3	09034	LK 10,5 ø 1,3
DL 160	09021	SW 4	09031	LK 15 ø 2
DL 200	09023	SW 6	09036	LK 20 ø 2
QL 60	09038	LK 8 ø 1,5	09026	SW 2,5
LLZ 60	09021	SW 4	09022	SW 5
QL 80	09037	LK 10 ø 2	09025	SW 3
	09022	SW 5	09023	SW 6
QL 100	09035	LK 13 ø 2,5	09021	SW 4
	09023	SW 6	09036	LK 20 ø 2

## End plates EG

Material ABS, for temperatures up to 100°C



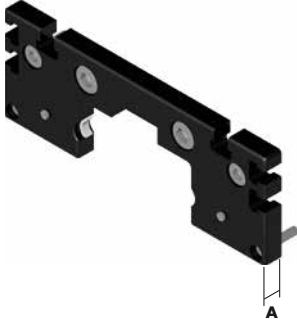
without slider		
Code-No.	Type	A
04241	EG 40	5
04261	EG 60	6
04281	EG 80	6

with slider		
Code-No.	Type	A
04246	EG 40	5
04266	EG 60	6
04286	EG 80	6

with slider and output for grease nipple		
Code-No.	Type	A
042661	EG 60	6
042861	EG 80	6

## Wiper end plate complete for EL/ML

Material ABS, for temperatures up to 100°C



without slider <sup>1)</sup>		
Code-Nr.	Type	A
04230	EL 30	6
04240	EL 40	11
04260	EL/ML 60	12
04268	EL/ML 60S	12
04280	EL/ML 80	12
04288	EL/ML 80S	12
04210	EL/ML 100	15
04220	EL 125	15

with slider <sup>2)</sup>		
Code-Nr.	Type	A
04234	EL 30	6
04244	EL 40	11
04264	EL 60	12
04269	EL 60S	12
04284	EL 80	12
04289	EL 80S	12
04214	EL100	15
04224	EL125	15

with slider and output for grease nipple <sup>3)</sup>		
Code-Nr.	Type	A
042641	EL 60	12
042691	EL 60S	12
042841	EL 80	12
042891	EL 80S	12
042141	EL 100	15
042241	EL 125	15

1) ELZ, ELZT, ELZU, ELZA, ELZQ, MLZ 2) ELT/K, ELVZ, ELHZ 3) ELT/K

## Slider inset for ELT / ELK | Slider inset for DLT / DLK

When changing the cover band, it is necessary to replace the slide.



ELT / ELK	
Code-No.	Type
03132	EL 30
03142	EL 40
03162	EL 60

DLT / DLK	
Code-No.	Type
03164	DL 120
03184	DL 160
03114	DL 200

# Spare parts

Cover band | Jointing plate | Guide rod

## Cover band

EL / EG



DL / DS



Spring steel (stainless steel)

Code-No.	Type	A x B
01020....	EL/EG 30	8 x 0,15
01021....	EL/EG 40/60/80 DL/DS 120	13,5 x 0,3
01026....	DL/DS 160	17,3 x 0,3
01022....	EL 100/125 DL/DS 200	22 x 0,3
01023	QST/K 60	24 x 0,3
01024	QST/K 80	32,3 x 0,3
01025	QST/K 100	38,5 x 0,3

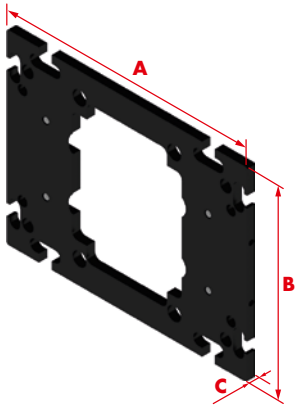
Code-No. length in mm

01026	2300
-------	------

Sample ordering code:

Cover band 17,3 x 0,3 2.300 mm long.

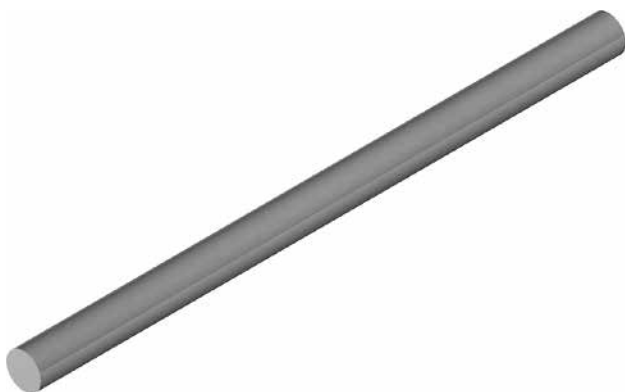
## Jointing plate for closed carriage



Aluminium plate with connection bores.

Code-No	Type	A	B	C
03045	EG 40	70	70	8
03065	EG 60	100	98	8
03085	EG 80	140	140	8
03036	EL 30	70	52	6
03046	EL 40	100	70	8
03066	EL/ML 60	144	98	8
03067	EL/ML 60S	170	106	10
03086	EL/ML 80	170	140	8
03087	EL/ML 80S	190	142	10
03016	EL 100	230	180	8
03026	EL 125	295	215	12

## Guide rod



Code-No.	Type	Ø	Material	Hardness
04131....	EL/EG 30	5 <sub>h6</sub>	Cf 53	HRC 62
04132....	EL/EG 30	5 <sub>h6</sub>	x 90 CrMoV18	HRC 56
04141....	EL 40 / DL 120 LLZ 60 / QL 60	6 <sub>h6</sub>	Cf 53	HRC 62
04142....	EL 40 / DL 120 LLZ 60 / QL 60	6 <sub>h6</sub>	x 90 CrMoV18	HRC 56
04161....	EL 60 (S) DL 160/200 QL 80/100	10 <sub>h6</sub>	Cf 53	HRC 62
04162....	EL 60 (S) DL 160/200 QL 80/100	10 <sub>h6</sub>	x 90 CrMoV18	HRC 56
04181....	EL 80 (S)	12 <sub>h6</sub>	Cf 53	HRC 62
04182....	EL 80 (S)	12 <sub>h6</sub>	x 90 CrMoV18	HRC 56
04111....	EL 100	16 <sub>h6</sub>	Cf 53	HRC 62
04112....	EL 100	16 <sub>h6</sub>	x 90 CrMoV18	HRC 56
04113....	EL 125	20 <sub>h6</sub>	Cf 53	HRC 62
04114....	EL 125	20 <sub>h6</sub>	x 90 CrMoV18	HRC 56

Code-No. length in mm

04131	2000
-------	------

Sample ordering code:

Guiding rod steel ø 5 2.000 mm long.

## Trapezoidal spindle



Code-No.	Type	Pitch	Unit length L <sub>max.</sub>
04609....	EL/EG 30	10x03 R	1.500 mm
04629....	EL/EG 30	10x03 L	1.500 mm
04600....	EL/EG 40	18x0	3.000 mm
04620....	EL/EG 40	18x04 L	3.000 mm
04640....	DL/DS 120 / QS 60	18x04 R	3.000 mm
04650....	DL/DS 120 / QS 60	18x04 L	3.000 mm
04601....	EL/EG 40	18x08 R	3.000 mm
04621....	EL/EG 40	18x08 L	3.000 mm
04641....	DL/DS 120 / QS 60	18x08 R	3.000 mm
04651....	DL/DS 120 / QS 60	18x08 L	3.000 mm
04602....	EL/EG 60	24x05 R	3.000 mm
04622....	EL/EG 60	24x05 L	3.000 mm
04642....	DL/DS 160 / QS 80	24x05 R	3.000 mm
04652....	DL/DS 160 / QS 80	24x05 L	3.000 mm
04603....	EL/EG 60	24x10 R	3.000 mm

Code-No.	Type	Pitch	Unit length L <sub>max.</sub>
04623....	EL/EG 60	24x10 L	3.000 mm
04643....	DL/DS 160 / QS 80	24x10 R	3.000 mm
04643....	DL/DS 160 / QS 80	24x10 L	3.000 mm
04604....	EL/EG 80(S)	28x05 R	3.000 mm
04624....	EL/EG 80(S)	28x05 L	3.000 mm
04605....	EL/EG 80(S)	28x10 R	3.000 mm
04625....	EL/EG 80(S)	28x10 L	3.000 mm
04606....	EL / QS 100 DL/DS 200	32x06 R	4.500 mm
04626....	EL / QS 100 DL/DS 200	32x06 L	3.000 mm
04607....	EL / QS 100 DL/DS 200	32x12 R	3.000 mm
04627....	EL / QS 100 DL/DS 200	32x12 L	3.000 mm
04630....	EL 125	40x07 R	4.000 mm
04631....	EL 125	40x07 L	3.000 mm
04632....	EL 125	40x14 R	3.000 mm
04633....	EL 125	40x14 L	3.000 mm

Code-No.    unit length in mm

04603	1000
-------	------

Sample ordering code:  
Trapezoidal spindle Tr 24x10 right, unit length 1000 mm.

## Trapezoidal screw made of RG 7



Code-No.	Type	Pitch
04332	EL/EG 30	10x03 R
04333	EL/EG 30	10x03 L
04340	EL/EG 40 / DL/DS 120 / QS 60	18x04 R
04341	EL/EG 40 / DL/DS 120 / QS 60	18x04 L
04342	EL/EG 40 / DL/DS 120 / QS 60	18x08 R
04343	EL/EG 40 / DL/DS 120 / QS 60	18x08 L
04360	EL/EG 60 / DL/DS 160 / QS 80	24x05 R
04361	EL/EG 60 / DL/DS 160 / QS 80	24x05 L
04362	EL/EG 60 / DL/DS 160 / QS 80	24x10 R
04363	EL/EG 60 / DL/DS 160 / QS 80	24x10 L
04380	EL/EG 80(S)	28x05 R

Code-No.	Type	Pitch
04381	EL/EG 80(S)	28x05 L
04382	EL/EG 80(S)	28x10 R
04383	EL/EG 80(S)	28x10 L
04310	EL / QS 100 / DL/DS 200	32x06 R
04311	EL / QS 100 / DL/DS 200	32x06 L
04312	EL / QS 100 / DL/DS 200	32x12 R
04313	EL / QS 100 / DL/DS 200	32x12 L
04320	EL 125	40x07 R
04321	EL 125	40x07 L
04322	EL 125	40x14 R
04323	EL 125	40x14 L



## Ballscrew spindle



Code-No.	Type	Pitch	Unit length L <sub>max</sub>
04610....	EL/EG 30	8x2,5 R	2.000 mm
04611....	EL/EG 40	16x05 R	3.000 mm
04661....	DL/DS 120 / QS 60	16x05 R	3.000 mm
04612....	EL/EG 40	16x10 R	3.000 mm
04662....	DL/DS 120 / QS 60	16x10 R	3.000 mm
04614....	EL/EG 60	25x05 R	3.000 mm
04615....	EL/EG 60	25x10 R	3.000 mm
04613....	EL/EG 60	20x20 R	3.000 mm
04663....	DL/DS 120 / QS 80 DL/DS 160	20x20 R	3.000 mm
046151....	EL/EG 60	20x05 L	3.000 mm

Code-Nr. unit length in mm

04617	1000
-------	------

Sample ordering code:

Ballscrew spindle 32x05 right, unit length 1.000 mm.

Code-No.	Type	Pitch	Unit length L <sub>max</sub>
04664....	DL/DS 120 DL/DS 160 QS 80	25x05R	3.000 mm
04665....	DL/DS 120 DL/DS 160 QS 80	25x10 R	3.000 mm
04616....	EL/EG 80(S)	25x25 R	3.000 mm
04666....	DL/DS 120 DL/DS 160	25x25 R	3.000 mm
04617....	EL/EG 80(S) EL/QS 100 DL/DS 200	32x05 R	3.000 mm
04684....	EL/EG 80(S) EL/QS 100 DL/DS 200	32x05 L	3.000 mm
04618....	EL/EG 80(S) EL/QS 100 DL/DS 200	32x10 R	3.000 mm
04683....	EL 100 DL/DS 200	32x20 R	3.000 mm
04619....	EL 100 DL/DS 200	32x32 R	3.000 mm
04634....	EL 125	40x10 R	3.000 mm
04635....	EL 125	40x20 R	3.000 mm
04636....	EL 125	40x40 R	3.000 mm

## Ballscrew nut



Code-No.	Type	Pitch	first greasing	re-greasing*
04430	EL/EG 30	8x2,5 R	0,02 g	0,01 g
04440	EL/EG 40 DL/DS 120 QS 60	16x05 R	4,0 g	1,3 g
04441	EL/EG 40 DL/DS 120 QS 60	16x10 R	2,5 g	0,8 g
04442	DL/DS 120 QS 60	16x16 R	2,0 g	0,6 g
04460	EL/EG 60 DL/DS 120 DL/DS 160 QS 80	25x05 R	6,0 g	2,0 g
04461	EL/EG 60 DL/DS 120 DL/DS 160 QS 80	25x10 R	8,0 g	2,6 g
04462	EL/EG 60 DL/DS 120 DL/DS 160 QS 80	20x20 R	8,0 g	2,6 g

Code-No.	Type	Pitch	first greasing	re-greasing*
04463	EL/EG 60	20x05 L	5,0 g	2,0 g
04464	EL/EG 80(S)	25x25 R	10,0 g	3,0 g
04464-1	DL/DS 160	25x25 R	10,0 g	3,0 g
04480	EL/EG 80(S) EL/QS 100 DL/DS 200	32x05 R	8,0 g	3,0 g
04485	EL/EG 80(S) EL/QS 100 DL/DS 200	32x05 L	8,0 g	3,0 g
04481	EL/EG 80(S) EL/QS 100 DL/DS 200	32x10 R	11,0 g	4,0 g
04483	EL 100 DL/DS 200	32x20 R	11,8 g	4,0 g
04482	EL 100 DL/DS 200	32x32 R	12,6 g	4,0 g
04420	EL 125	40x10 R	25,0 g	8,3 g
04421	EL 125	40x20 R	29,0 g	9,6 g
04422	EL 125	40x40 R	34,0 g	011,3 g

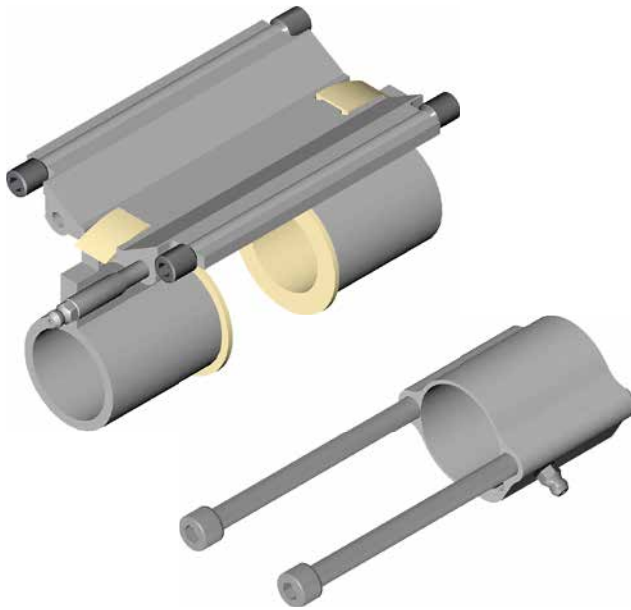
\* after approx. 500 hours

# Spare parts

Leading nut receiver | Lubricants | Cover caps

1.2

## Leading nut receiver



### Ballscrew EL/EG

Code-No.	Type
03130	30
03140	40
03160	60(S)
03180	80(S)
03110	100
03120	125

### Trapezoidal EL/EG

Code-No.	Type
03131	30
03141	40
03161	60(S)
03181	80(S)
03111	100
03121	125

### Ballscrew DL/DS

Code-No.	Type
03163	120
03183	160
03113	200

### Trapezoidal DL/DS

Code-No.	Type
03168	120
03188	160
03118	200

### Ballscrew QS

Code-No.	Type
03167	60
03187	80
03117	100

### Trapezoidal QS

Code-No.	Type
03166	60
03186	80
03116	100

## Lubricants

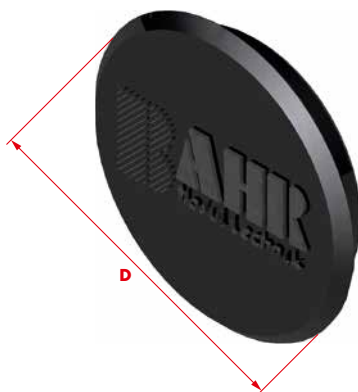


Code-No.	Name
09001	Molyduval, 1 litre, ISO-VG 220, range of temperature -30 °C bis 100 °C
09003	Steel oil gun for carriage rollers
09010	One hand oil gun 125cm <sup>3</sup> (with cone tip und angle adapter)*
09004	Steel grease gun for ballscrew
09009	regreasing adapter DLT/K 160
09012	One hand grease gun 125cm <sup>3</sup> (with cone tip und angle adapter)*
09002	SKF grease LGMT 2/1 (1 kg)
09006	Grease gun filling device LAGF 5 (for 5 kg canister)
09007	SKF grease LGMT 2/5 (5 kg)
09013	Grease gun filling device LAGF 18 (for 18 kg canister)
09014	SKF grease LGMT 2/18 (18 kg)
09016	Grease cartridge with cannula (5ml) for DS 120

\* for from outside difficult to reach nipples



## Cover caps



Code-No.	Type	D	Position
04206	QL/QS 60	15	Servicing bores
	ELK 30		Bearing-block
04205	QL/QS 80 - 100, DL/DS 120	19	Servicing bores
	QL 60		Carriage
04235	ELZ 30	28	Pulley-block
	ELT/K 40, EGT/K 40		Bearing-block
	DL/DS 160 - 200		Servicing bores
	QL 80 - 100		Carriage
04245	ELZ 40, ELHZ 60, ELVZ 60	37	Pulley-block
04265	ELZ/MLZ 60, ELHZ 80, ELVZ80, DLZ 120, QLZ/QSZ 60	47	Pulley-block
04285	ELZ/MLZ 80, ELHZ 100, ELVZ 100, DLZ/DSZ 160, QLZ/QSZ 80	68	Pulley-block
04215	ELZ/MLZ 100, DLZ/DSZ 200, QLZ/QSZ 100	90	Pulley-block
04225	ELZ 125 / QS 125	110	Pulley-block
042650	D 120, Q 60	32	Bearing-block
042850	D 160, Q 80	40	Bearing-block
042150	D 200, Q 100	52	Bearing-block

# Spare parts

## Toothed belts

### Toothed belt

Toothed belts are available by the meter. Temperature resistant from -10 °C to 50 °C, please call outside this Temperature range our technical service.

1.2



Belt with steel reinforcement PU HP PAZ		
Code No.	Type	Toothed belt
00531	<b>ELZ 30</b>	3M 12
00532	<b>ELZ 40</b>	5M 15
00534	<b>ELZ/ML 60 (S)</b>	5M 25
00536	<b>ELZ/ML 80 (S)</b>	8M 30
00538	<b>ELZ/ML 100</b>	8M 50
00540	<b>ELZ 125</b>	8M 70

00531	<b>ELZG 30</b>	3M 12
00532	<b>ELZG 40</b>	5M 15
00534	<b>ELZG 60 (S)</b>	5M 25
00536	<b>ELZG 80 (S)</b>	8M 30

00542	<b>ELZZ 60 (S)</b>	5M 09
00543	<b>ELZZ 80 (S)</b>	8M 12
00544	<b>ELZZ 100</b>	8M 20
00536	<b>ELZZ 125</b>	8M 30

00546	<b>ALLZ 203</b>	8M 100
00546	<b>ALLZ 204</b>	8M 100

00534	<b>DLZ / DSZ 120</b>	5M 25
00536	<b>DLZ / DSZ 160</b>	8M 30
00538	<b>DLZ / DSZ 200</b>	8M 50
00538	<b>DLZ / DSZ 160 HD</b>	8M 50
00540	<b>DLZ / DSZ 200 HD</b>	8M 70

00534	<b>QLZ / QSZ 60</b>	5M 25
00536	<b>QLZ / QSZ 80</b>	8M 30
00538	<b>QLZ / QSZ 100</b>	8M 50
00540	<b>QSZ 125</b>	8M 70
00534	<b>DLZPVI / DSZPVI 120</b>	5M 25
00536	<b>DLZPVI / DSZPVI 160</b>	8M 30
00538	<b>DLZPVI / DSZPVI 200</b>	8M 50

00547	<b>LLZ / LSZ 60</b>	5M 30
00548	<b>LLZ / LSZ 80</b>	8M 30

00529	<b>WGVZ / WKVZ 16</b>	3M 11,4
-------	-----------------------	---------

Belt with kevlar-reinforcement PU PAZ		
Code No.	Type	Toothed belt
005341	<b>DLVZ 120</b>	5M 25
005341	<b>DLVZ 160</b>	5M 25

005341	<b>ELHZ / ELVZ 60</b>	5M 25
005341	<b>ELHZ / ELVZ 80 (S)</b>	5M 25
005451	<b>ELHZ / ELVZ 100</b>	8M 48
005381	<b>ELHZ / ELVZ 125</b>	8M 50

00531	<b>ELZU 30</b>	3M 12
005321	<b>ELZU 40</b>	5M 15
005341	<b>ELZU 60 (S)</b>	5M 25
005361	<b>ELZU 80 (S)</b>	8M 30
005381	<b>ELZU 100</b>	8M 50

005321	<b>ELZI 30</b>	5M 15
005341	<b>ELZI 40</b>	5M 25
005361	<b>ELZI 60</b>	8M 30



Ex - protection ATEX PU HP PAZ PAR antistatic		
Code No.	Type	Toothed belt
00532EX	<b>ELZ 40</b>	5M 15
00534EX	<b>ELZ 60/60S</b>	5M 25
00536EX	<b>ELZ 80/80S</b>	8M 30
00538EX	<b>ELZ 100</b>	8M 50
00540EX	<b>ELZ 125</b>	8M 70
00536EX	<b>ELFZ 60 S</b>	8M 30
00538EX	<b>ELFZ 80 S</b>	8M 50
00540EX	<b>ELFZ 100</b>	8M 70
00546EX	<b>ELFZ 125</b>	8M 100
00547EX	<b>LLZ 60</b>	5M 30

Code-No length in mm

<b>00534</b>	5000
--------------	------



Sample ordering code:  
Belt 5M 25, PU HP PAZ, 5m long

## 1.2 Toothed belt

Toothed belts are available by the meter. Temperature resistant from -10 °C to 50 °C, please call outside this Temperature range our technical service.



Ω - redirection pulley block Kevlar-reinforcement PU PAZ		
Code No.	Type	Toothed belt
005361	<b>ELFZ 60 S</b>	8M 30
005381	<b>ELFZ 80 S</b>	8M 50
005401	<b>ELFZ 100</b>	8M 70
005461	<b>ELFZ 125</b>	8M 100

Stainless steel linear units Kevlar-reinforcement PU PAZ		
Code No.:	Type	Toothed belt
005341	<b>QLZE / QSZE 60</b>	5M 25
005361	<b>QLZE / QSZE 80</b>	8M 30
005381	<b>QLZE / QSZE 100</b>	8M 50
005401	<b>QLZE 125</b>	8M 70

00531	<b>ELSZ 30</b>	3M 12
005321	<b>ELSZ 30 HD</b>	5M 15
005321	<b>ELSZ / ELSD 40</b>	5M 15
005341	<b>ELSZ / ELSD 40 HD</b>	5M 25
005341	<b>ELSZ / ELSD 60 (S)</b>	5M 25
00537	<b>ELSZ / ELSD 60 (S) HD</b>	8M 30
005361	<b>ELSZ / ELSD 80 (S)</b>	8M 30
005381	<b>ELSZ / ELSD 80 (S) HD</b>	8M 50
005381	<b>ELSZ / ELSD 100</b>	8M 50
005401	<b>ELSZ / ELSD 100 HD</b>	8M 70
005401	<b>ELSZ 125</b>	8M 70
005461	<b>ELSZ 125 HD</b>	8M 100

005341	<b>DLZPVIE / DSZPVIE 120</b>	5M 25
005361	<b>DLZPVIE / DSZPVIE 160</b>	8M 30
005381	<b>DLZPVIE / DSZPVIE 200</b>	8M 50

005471	<b>LLZE 60 / LSZE 60</b>	5M 30
--------	--------------------------	-------

005321	<b>QSSZ 60</b>	5M 15
005341	<b>QSSZ 80</b>	5M 25

00531	<b>HDU 12</b>	3M 12
-------	---------------	-------

005362	<b>DSZS 160</b> (PU HF PAZ)	8M 30
005361	<b>DLSZ 120</b>	8M 30
005381	<b>DLSZ 160</b>	8M 50
005401	<b>DLSZ 200</b>	8M 70
005361	<b>DSSZ 120</b>	8M 30
005381	<b>DSSZ 160</b>	8M 50
005401	<b>DSSZ 200</b>	8M 70

005341	<b>ELZT 40</b>	5M 25	Main belt
00532	<b>ELZT 40</b>	5M 15	Rotating belt
005361	<b>ELZT 60 (S)</b>	8M 30	Main belt
00534	<b>ELZT 60 (S)</b>	5M 25	Rotating belt
005381	<b>ELZT 80 (S)</b>	8M 50	Main belt
00536	<b>ELZT 80 (S)</b>	8M 30	Rotating belt
005401	<b>ELZT 100</b>	8M 70	Main belt
00538	<b>ELZT 100</b>	8M 50	Rotating belt

# Spare parts

## Toothed pulleys

### Toothed pulleys



coupling claw on one side



coupling claws on both sides



shaft on one side



shaft on both sides

Pulley size 30-80 bronzed steel, size 100 hard-coated aluminium. Coupling claws compatible with Rotex GS system.

Size	Code No.		Code No.		Belt	Number of teeth	mm/rev.	Coupling Rotex
	Coupling claw on one side	Coupling claw on both sides	Shaft on one side	Shaft on both sides				
<b>ELZ / ELSZ / MLZ with standard belt</b>								
<b>30</b>	04010	04020	04828	04829	3M12	25	75	7
<b>40</b>	04011	04021	04830	04831	5M15	20	100	9
<b>60(S)</b>	04012	04022	04832	04833	5M25	26	130	14
<b>80(S)</b>	04013	04023	04834	04835	8M30	24	192	19
<b>100</b>	04014	04024	04836	04837	8M50	32	256	24
<b>125</b>	04015	04025	04838	04839	8M70	38	304	28
<b>ELSZ with widened belt</b>								
<b>30</b>	04011	04021	04830	04831	5M15	20	100	9
<b>40</b>	04012	04022	04832	04833	5M25	26	130	14
<b>60(S)</b>	04013	04023	04834	04835	8M30	24	192	19
<b>80(S)</b>	04014	04024	04836	04837	8M50	32	256	24
<b>100</b>	04015	04025	04838	04839	8M70	38	304	28
<b>125</b>	040150	-	-	-	8M100	38	304	-
<b>ELZG</b>								
<b>30</b>	04820	04821	04840	04841	3M12	40	120	7
<b>40</b>	04822	04823	04842	04843	5M15	32	160	9
<b>60(S)</b>	04824	04825	04844	04845	5M25	44	220	14
<b>80(S)</b>	04826	04827	04846	04847	8M30	40	320	19
<b>ELSD with standard belt</b>								
<b>40</b>	04011	04021	04830	04831	5M15	20	100	9
<b>60(S)</b>	04012	04022	04832	04833	5M25	26	130	14
<b>80(S)</b>	04013	04023	04834	04835	8M30	24	192	19
<b>100</b>	04014	04024	04836	04837	8M50	32	256	24
<b>ELSD with widened belt</b>								
<b>40</b>	04012	04022	04832	04833	5M25	26	130	14
<b>60(S)</b>	04013	04023	04834	04835	8M30	24	192	19
<b>80(S)</b>	04014	04024	04836	04837	8M50	32	256	24
<b>100</b>	04015	04025	04838	04839	8M70	38	304	28
<b>ELZU</b>								
<b>30</b>	04010	04020	04828	04829	3M12	25	75	7
<b>40</b>	04011	04021	04830	04831	5M15	20	100	9
<b>60(S)</b>	04012	04022	04832	04833	5M25	26	130	14
<b>80(S)</b>	04013	04023	04834	04835	8M30	24	192	19

## Toothed pulleys

1.2

Size	Code No.		Code No.		Belt	Number of teeth	mm/rev.	Coupling Rotex
	Coupling claw on one side	Coupling claw on both sides	Shaft on one side	Shaft on both sides				
<b>ELZT internal belt</b>								
<b>40</b>	04011				5M15	20	100	9
<b>60(S)</b>	04012				5M25	26	130	14
<b>80(S)</b>	04013				8M30	24	192	19
<b>100</b>	04014				8M50	32	256	24
<b>ELZT external belt</b>								
<b>40</b>	04012	04022	04832	04833	5M25	26	130	14
<b>60(S)</b>	04013	04023	04834	04835	8M30	24	192	19
<b>80(S)</b>	04014	04024	04836	04837	8M50	32	256	24
<b>100</b>	04015	04025	04838	04839	8M70	38	304	28
<b>DLZ / DSZ</b>								
<b>DLZ/DSZ 120</b>	04012	04022	04832	04833	5M25	26	130	14
<b>DLZ/DSZ 160</b>	04852	04853	04848	04849	8M30	22	176	19
<b>DLZ/DSZ 200</b>	04854	04855	04850	04851	8M50	28	224	24
<b>DLZT / DSZT internal belt</b>								
<b>120</b>	04012				5M25	26	130	14
<b>DLZT / DSZT external belt</b>								
<b>120</b>	04013	04023	04834	04835	8M30	24	192	19
<b>QLZ / QSZ</b>								
<b>60</b>	04012	04022	04832	04833	5M25	26	130	14
<b>80</b>	04852	04853	04848	04849	8M30	22	176	19
<b>100</b>	04854	04855	04850	04851	8M50	28	224	24
<b>QLSZ / QSSZ</b>								
<b>80</b>	04012	04022	04832	04833	5M25	26	130	14
<b>LL / LS</b>								
<b>60</b>	–	04868	04869	–	5M30	26	130	14



two shafts short



one shaft long



two shafts long

Size	Code No.			Belt	Number of teeth	mm/rev.	Coupling Rotex
	Two shafts short	One shaft long	Two shafts long				
<b>ELHZ / ELVZ</b>							
<b>60(S)</b>	04026	04860	04861	5M25	16	80	14
<b>80(S)</b>	04027	04862	04863	5M25	22	110	19
<b>100</b>	04028	04864	04865	8M50	18	114	24
<b>125</b>	04029	04866	04867	8M50	24	192	28

# Spare parts

## Toothed pulleys



Coupling claw on one side



Shaft on one side

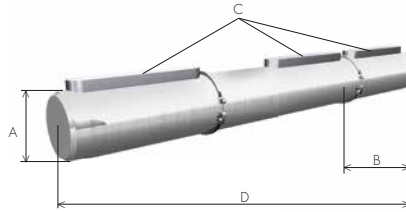
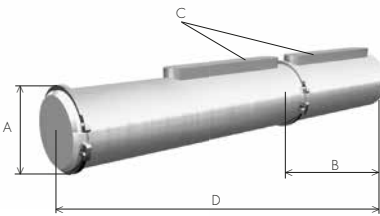


Shafts on both sides

Size	Code No.			Belt	Number of teeth	mm/rev.	Coupling Rotex
	Coupling claw on one side	Shaft on one side	Shaft on both sides				
<b>ELZZ</b>							
<b>60(S)</b>	04856	048561	048562	5M09	26	130	14
<b>80(S)</b>	04857	048571	048572	8M12	24	192	19
<b>100</b>	04858	048581	048582	8M20	32	256	24
<b>125</b>	04859	048591	048592	8M30	38	304	28

## Plug-in shaft for pulleys

Plug-in shaft made of stainless steel, complete with key and locking rings for retrofitting.



Shaft on one side							Shaft on both sides						
Code-No.	Type	Size	A <sub>h7</sub>	B	C	D	Code-No.	Type	Size	A <sub>h7</sub>	B	C	D
<b>04030</b>	<b>ELZ/ELSZ</b>	<b>30</b>	6	15	2x2x12	57	<b>04040</b>	<b>ELZ/ELSZ</b>	<b>30</b>	6	15	2x2x12	72
<b>04031</b>	<b>ELZ/ELSZ</b>	<b>40</b>	10	27	3x3x25	85	<b>04041</b>	<b>ELZ/ELSZ</b>	<b>40</b>	10	27	3x3x25	112
<b>04032</b>	<b>ELZ/ELSZ/MLZ/QLZ/QSZ</b>	<b>60</b>	14	35	5x5x28	115	<b>04042</b>	<b>ELZ/ELSZ/QLZ/QSZ</b>	<b>60</b>	14	35	5x5x28	150
	<b>DLZ/DSZ/ DLZT/DSZT</b>	<b>120</b>						<b>DLZ/DSZ/ DLZT/DSZT</b>	<b>120</b>				
<b>04033</b>	<b>ELZ/ELSZ/MLZ/QLZ/QSZ</b>	<b>80</b>	18	45	6x6x40	145	<b>04043</b>	<b>ELZ/ELSZ/QLZ/QSZ</b>	<b>80</b>	18	45	6x6x40	190
	<b>DLZ/DSZ</b>	<b>160</b>						<b>DLZ/DSZ</b>	<b>160</b>				
	<b>DLSZ/DSSZ</b>	<b>120</b>						<b>DLSZ/DSSZ</b>	<b>120</b>				
<b>04034</b>	<b>ELZ/ELSZ/MLZ</b>	<b>100</b>	22	45	6x6x40	175	<b>04044</b>	<b>ELZ/ELSZ</b>	<b>100</b>	22	45	6x6x40	220
	<b>DLSZ</b>	<b>160</b>						<b>DLSZ</b>	<b>160</b>				
<b>04035</b>	<b>ELZ</b>	<b>125</b>	30	45	8x7x40	215	<b>04045</b>	<b>ELZ</b>	<b>125</b>	30	45	8x7x40	270

## Tensioning set for sizes EL 100 - 125, DL/DS 200, ML / QL / QS 100



Code-No.	Type	Tension ring
<b>00472</b>	<b>EL/ML 100 DL/DS 200 QL/QS 100</b>	22 x 32
<b>00476</b>	<b>E 125</b>	30 x 41

## Pulley with integrated tension set D 120, 160, 200

Dimensions (mm)

1.2

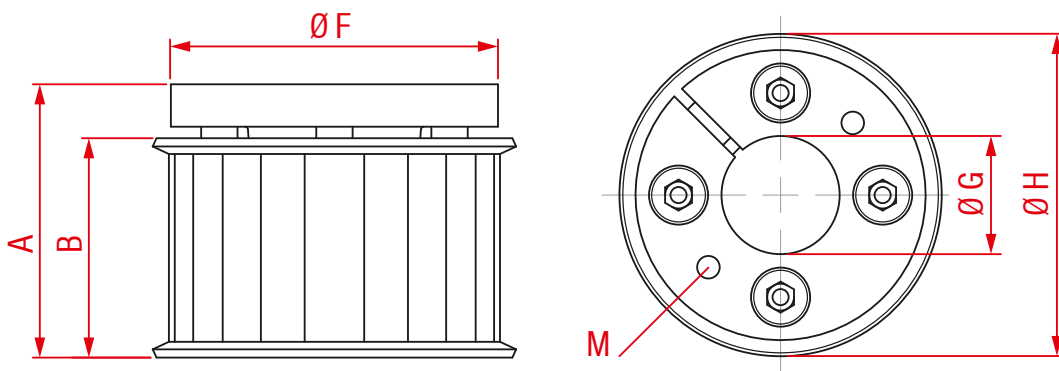
120



160



200



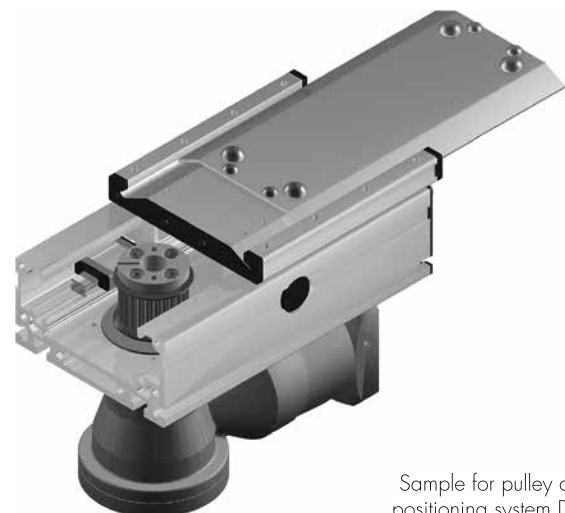
Type	Standard Code-No.	stainless Code-No.	A	B	Ø F	Ø G	Ø H	Belt type	Number of teeth
D 120	04873	04874	39	30	41	16	46	HTD 5M 25	26
D 160	04875	04876	45	36,2	54	22	60	HTD 8M 30	22
D 200	04877	04878	67,5	57,2	62	32	79	HTD 8M 50	28

M = Dismounting thread

Type	Clamping screws			Torque / axial force	
	M	z Number	T <sub>A</sub> [Nm]	T [Nm]	F <sub>ax</sub> [N]
D 120	M5	4	10	148	19 000
D 160	M6	4	17	244	22 000
D 200	M6	8	17	689	43 000

### Function:

Pulley with integrated tension set for positioning systems DLZPVI (E) and DSZPVI (E). In order to realize a simple and fast assembling we reduced the number of parts. Each tension set has got two dismounting threads in order to disassemble the pulley easily.



Sample for pulley assembling - positioning system DSZPVI 120



# Spare parts

Spur gears

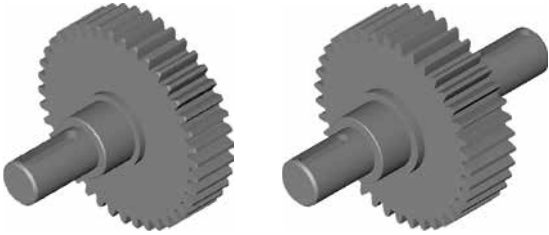
Spur gears

Dimensions (mm)

1.2

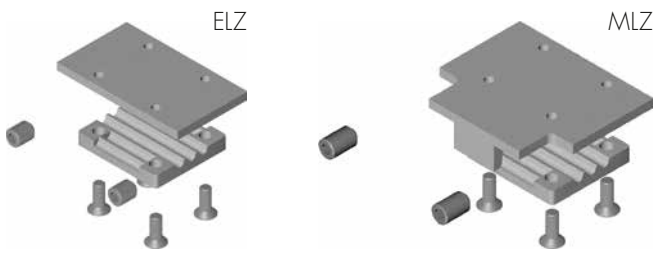
ELZA | ELDZA

Size	1 Shaft			2 Shafts			mm/rev.	Modul
	Steel	Stainless steel	Plastic	Steel	Stainless steel	Plastic		
<b>40</b>	041900	041901	04190	041910	041911	04191	188,5	1,5
<b>60</b>	041920	041921	04192	041930	041931	04193	251,3	2
<b>60 S</b>	041980	041981	04198	041990	041991	04199	314,2	2
<b>80 (S)</b>	041940	041941	04194	041950	041951	04195	358,0	3
<b>100</b>	041960	041961	04196	041970	041971	04197	508,9	3



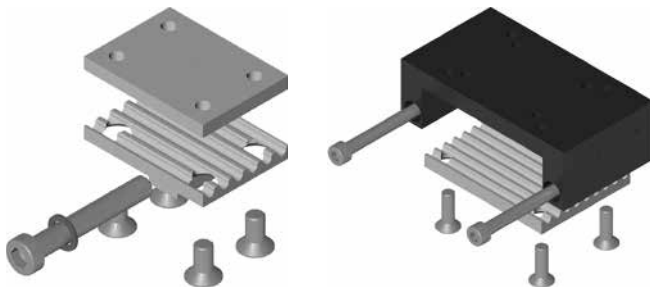
1.2

## Belt adjuster ELZ / MLZ



Code-No.	Type	Material
04060	30	Zinc coated steel
04061	40	Zinc coated steel
04062	ELZ 60(S)	Zinc coated steel
040621	MLZ 60(S)	Zinc coated steel
04063	ELZ 80(S)	Zinc coated steel
040631	MLZ 80(S)	Zinc coated steel
04064	ELZ 100	Zinc coated steel
040641	MLZ 100	Zinc coated steel
04065	125	Zinc coated steel

## Belt adjuster ELSZ



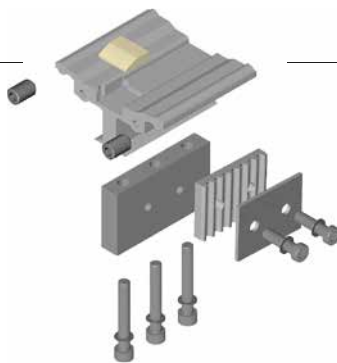
Code-No.	Type	Material
04071	30/40	Zinc coated steel
04076	30/40	Nickel faced steel
04072	60(S)	Zinc coated steel
04077	60(S)	Nickel faced steel
04073	80(S)	Zinc coated steel
04078	80(S)	Nickel faced steel
04074	100	Zinc coated steel
04079	100	Nickel faced steel
04075	125	Zinc coated steel
04070	125	Nickel faced steel

## Belt adjuster ELHZ



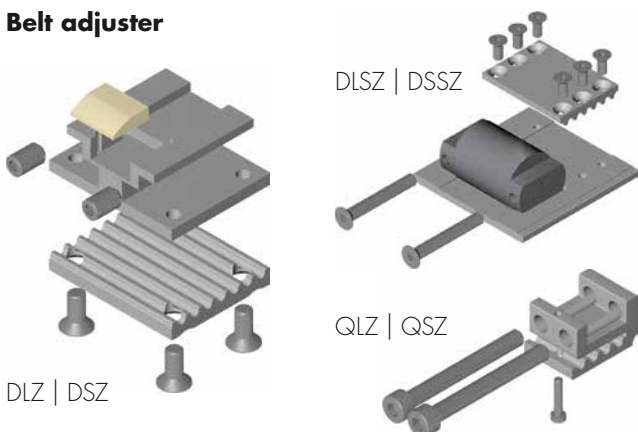
Code-No.	Type	Material
04080	60(S)	Black anodized Al and zinc coated steel
04081	80(S)	Black anodized Al and zinc coated steel
04082	100	Black anodized Al and zinc coated steel
04083	125	Black anodized Al and zinc coated steel

## Belt adjuster ELVZ



Code-No.	Type	Material
04090	60(S)	Black anodized Al and zinc coated steel
04091	80(S)	Black anodized Al and zinc coated steel
04092	100	Black anodized Al and zinc coated steel
04093	125	Black anodized Al and zinc coated steel

## Belt adjuster



Code-No.	Type	Material
04084	DLZ/DSZ 120	Nature anodized Al and zinc coated steel
04086	DLZ/DSZ 160	Nature anodized Al and zinc coated steel
04085	DLZ/DSZ 200	Nature anodized Al and zinc coated steel
040861	DLZ/DSZ 160 HD	Nature anodized Al and zinc coated steel
040851	DLZ/DSZ 200 HD	Nature anodized Al and zinc coated steel
04066	DLSZ 120	Zinc coated steel
04067	DLSZ/DSSZ 160	Zinc coated steel
04087	QLZ/QSZ 60	Nature anodized Al
04088	QLZ/QSZ 80	Nature anodized Al
04089	QLZ/QSZ 100	Nature anodized Al
04094	QSZ 125	Nature anodized Al