

Vacuum cups by size | Flat vacuum cups at a glance

Application / Uses



- > Thanks to their shape, flat vacuum cups offer a high degree of stability, as well as good positional accuracy in the placement of materials
- > They enable both the horizontal and vertical handling of flat workpieces
- > Supporting ribs in the vacuum cup ensure good absorption of transverse forces and prevent slipping, e.g. when heavy, oily metal sheets are tilted in the automotive sector
- > Low cup volume enables short cycle times

Designs



- > FIPA flat vacuum cups are available with or without supporting ribs
- > Support ribs in the vacuum cup ensure significantly better suction by enlarging the active suction surface
- > They prevent the sucking in and deformation of flexible workpieces
- > Support ribs are especially recommended for:
 - flexible products
 - rapid acceleration of the machine

Methods of connection



Vacuum cups for attaching to the fittings (plug-in)

- > Secure hold
- > Quick replacement
- > Cost-efficient and environmentally-friendly, as only the rubber part needs to be replaced



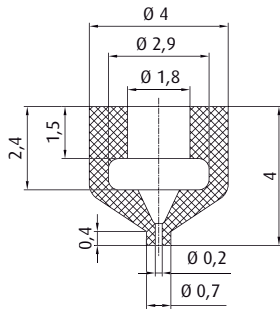
Bolted fittings

- > Vacuum cups are bolted from below into a threaded counterpart using a hollow bolt
- > Extremely secure hold
- > Eliminates twisting of the vacuum cups
- > Cost-efficient and environmentally-friendly, as only the rubber part needs to be replaced



Vulcanised fittings / retainer plate

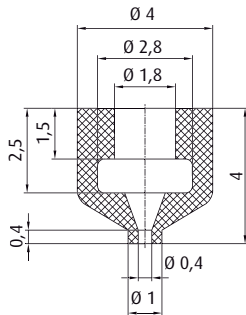
- > Very secure hold
- > Secured against rotation
- > High degree of dimensional stability



	Connection	see page
270.524	M3-male	408

Item no. 102.001.425._*	Material NBR (sw), SI-AS (sw)	0 mm
-----------------------------------	---	------

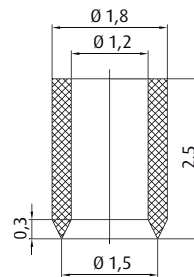
Additional sizes available are found on p. 38.



	Connection	see page
270.524	M3-male	408

Item no. 102.001.463._*	Material NBR (sw), SI-AS (sw)	0 mm
-----------------------------------	---	------

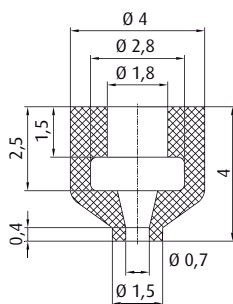
Additional sizes available are found on p. 38.



	Connection	see page
270.011	M3-male	408

Item no. 102.001.002._*	Material NBR (sw), SI (tr)	0.3 mm
-----------------------------------	--------------------------------------	--------

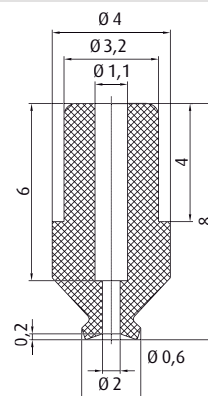
Additional sizes available are found on p. 32.
Ordering notes: Packing unit = 10 pieces



	Connection	see page
270.524	M3-male	408

Item no. 102.002.464._*	Material NBR (sw), SI-AS (sw)	0 mm
-----------------------------------	---	------

Additional sizes available are found on p. 38.



	Connection	see page
270.427	M3-male	408

Item no. 102.002.279._*	Material NBR (sw), SI (tr), SI-AS (sw), PU (bl), FKM (gr)	0.2 mm
-----------------------------------	---	--------

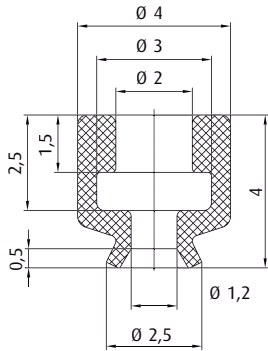
Additional sizes available are found on p. 38.

* When ordering please add the appropriate material code to item no. You will find it in the foldout.
Average holding forces for Vacuum cups you will find on page 760



Vacuum cups by size | Flat vacuum cups by Ø

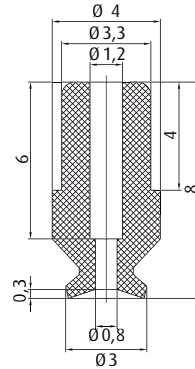
Ø 2 - 4 mm



	Connection	see page
270.014	M3-male	408
270.300	M5-male	411

Item no. 102.002.004._*	Material NBR (sw), NBR-AS (sw), SI (tr), SI-AS (sw), PU (bl)	0.4 mm
-----------------------------------	--	--------

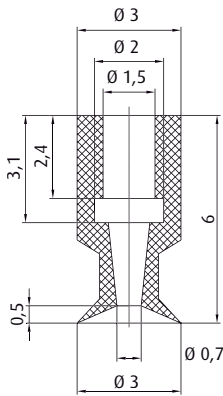
Additional sizes available are found on p. 32.
Ordering notes: Packing unit = 10 pieces



	Connection	see page
270.427	M3-male	408

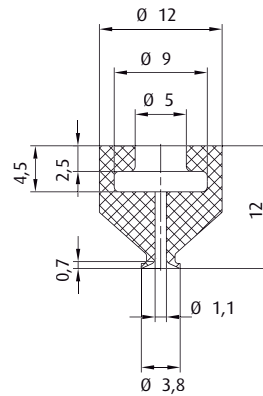
Item no. 102.003.280._*	Material NBR (sw), SI (tr), SI-AS (sw), PU (bl), FKM (gr)	0.3 mm
-----------------------------------	---	--------

Additional sizes available are found on p. 38.



	Connection	see page
270.025	M3-male	408

Item no. 102.003.480._*	Material NBR (sw)	0.3 mm
-----------------------------------	-----------------------------	--------

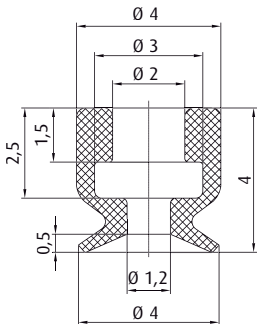


	Connection	see page
270.200	M5-male	411
270.064	G1/8-male	418
270.065	G1/8-female	422

		see page
50.018	8.5 mm	454
50.019	8.5 mm	454

Item no. 102.004.216._*	Material NBR (sw), SI (tr)	1 mm
-----------------------------------	--------------------------------------	------

Additional sizes available are found on p. 50.

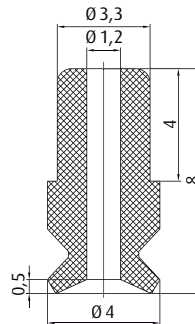


	Connection	see page
270.014	M3-male	408
270.300	M5-male	411

BESTSELLER

Item no. 102.003.005._*	Material NBR (sw), NBR-AS (sw), SI (tr), SI-AS (sw), PU (bl), FKM (sw)	0.5 mm
-----------------------------------	--	--------

Additional sizes available are found on p. 32.
Ordering notes: Packing unit = 10 pieces

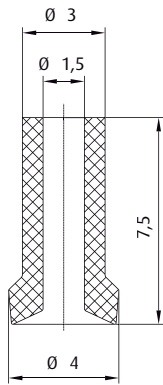


	Connection	see page
270.427	M3-male	408

Item no. 102.004.281._*	Material NBR (sw), SI (tr), SI-AS (sw), PU (bl), FKM (gr)	0.3 mm
-----------------------------------	---	--------

Additional sizes available are found on p. 38.

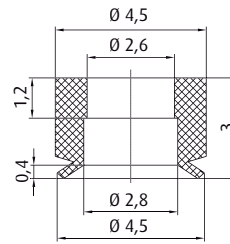
* When ordering please add the appropriate material code to item no. You will find it in the foldout.
Average holding forces for Vacuum cups you will find on page 760



Icon	Connection	see page
	M3-male	408

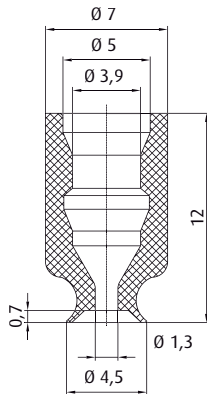
Item no. 112.004.001.* **Material** NBR (sw), SI (r) 0.5 mm

Additional sizes available are found on p. 52.



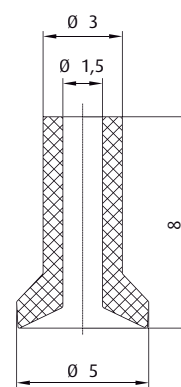
Icon	Connection	see page
	M3-male	408
	M4-male	408

Item no. 102.005.115.* **Material** NBR (sw), SI (tr) 0.5 mm



Icon	Connection	see page
	M5-male	410

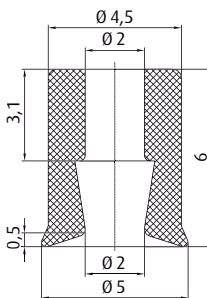
Item no. 102.005.391.* **Material** SI (tr) 0.5 mm



Icon	Connection	see page
	M3-male	408

Item no. 112.005.002.* **Material** NBR (sw), SI (r) 0.7 mm

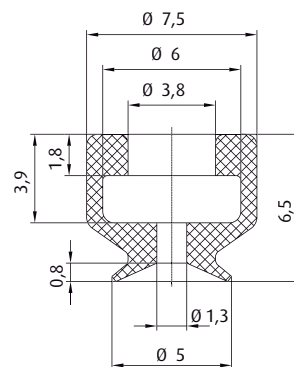
Additional sizes available are found on p. 52.



Icon	Connection	see page
	M5-male	409

Item no. 102.005.090.* **Material** SI (tr), CR (sw) 0.5 mm

Additional sizes available are found on p. 42.



Icon	Connection	see page
	M5-male	411
	M5-female	412
	G1/8-male	417
	G1/8-female	422
	10 mm	454

Item no. 102.005.009.* **Material** NBR (sw), SI (tr), SI-AS (sw), FKM (sw) 0.9 mm

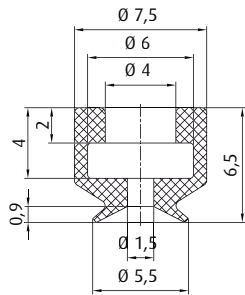
Additional sizes available are found on p. 32.

* When ordering please add the appropriate material code to item no. You will find it in the foldout. Average holding forces for Vacuum cups you will find on page 760



Vacuum cups by size | Flat vacuum cups by Ø

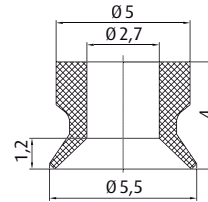
Ø 5 - 6 mm



Icon	Connection	see page
	M5-male	411
	M5-female	412
	G1/8-male	417
	G1/8-female	422
	10 mm	454

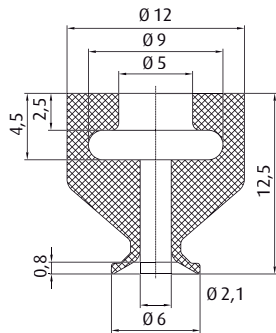
Item no. 102.005.496.* **Material** Thermalon® (bl) 0.9 mm

Additional sizes available are found on p. 36.



Icon	Connection	see page
	M3-male	408

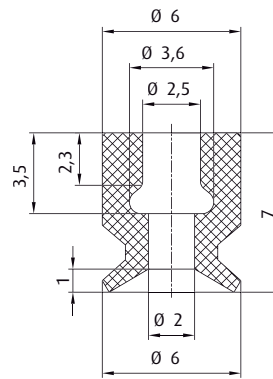
Item no. 102.005.081.* **Material** NBR (sw), SI (tr), SI-AS (sw) 0.9 mm



Icon	Connection	see page
	M5-male	411
	G1/8-male	418
	G1/8-female	422
	8.5 mm	454
	8.5 mm	454

Item no. 102.006.217.* **Material** NBR (sw), SI (tr) 1 mm

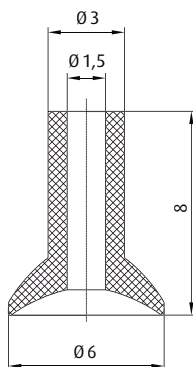
Additional sizes available are found on p. 50.



Icon	Connection	see page
	M5-male	409

Item no. 102.006.282.* **Material** NBR (sw), SI (tr), SI-AS (sw), PU (bl), FKM (gr) 0.5 mm

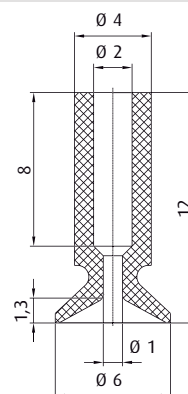
Additional sizes available are found on p. 38.



Icon	Connection	see page
	M3-male	408

Item no. 112.006.003.* **Material** NBR (sw), SI (r) 1 mm

Additional sizes available are found on p. 52.

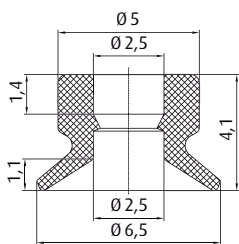


Icon	Connection	see page
	M5-male	409

Item no. 122.006.002.* **Material** NBR (sw), SI (tr), Vulkollan® (br) 1.5 mm

Additional sizes available are found on p. 56.

* When ordering please add the appropriate material code to item no. You will find it in the foldout.
Average holding forces for Vacuum cups you will find on page 760

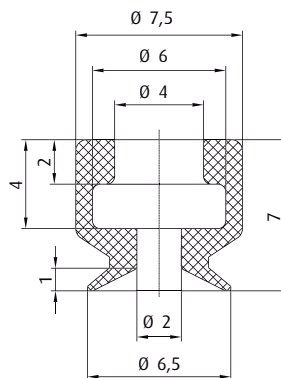


Icon	Connection	see page
	M4-male	408
	M5-male	411

Item no.
102.006.297.*

Material
NBR (sw)

0.8 mm



Icon	Connection	see page
	M5-male	411
	M5-female	412
	G1/8-male	417
	G1/8-female	422

Icon	Icon	see page
	10 mm	454

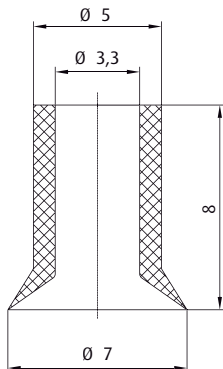
BESTSELLER

Item no.
102.006.013.*

Material
NBR (sw), SI (tr), SI-AS (sw),
PU (bl), FKM (sw)

1 mm

Additional sizes available are found on p. 32.

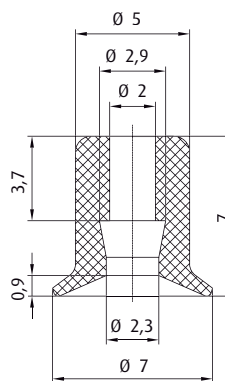


Icon	Connection	see page
	M5-male	409

Item no.
112.006.004.*

Material
NBR (sw), SI (tr)

1 mm



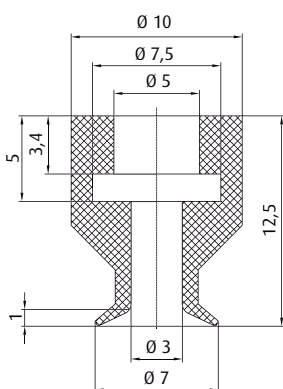
Icon	Connection	see page
	M5-male	409

Item no.
102.007.091.*

Material
SI (tr), CR (sw)

1 mm

Additional sizes available are found on p. 42.

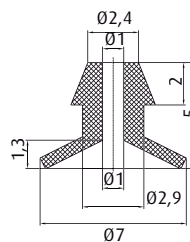


Icon	Connection	see page
	M5-male	411
	G1/8-male	418
	G1/8-female	422

Item no.
102.007.109.*

Material
SI (r), SI-AS (sw)

1.6 mm



Icon	Connection	see page
	M3-male	408

Item no.
102.007.266.*

Material
SI (tr)

1.5 mm

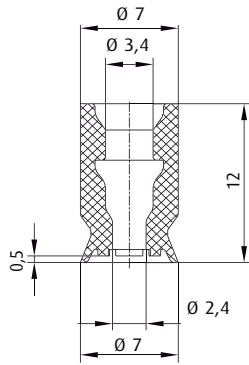
Additional sizes available are found on p. 22.

* When ordering please add the appropriate material code to item no. You will find it in the foldout.
Average holding forces for Vacuum cups you will find on page 760



Vacuum cups by size | Flat vacuum cups by \varnothing

\varnothing 7 - 8 mm

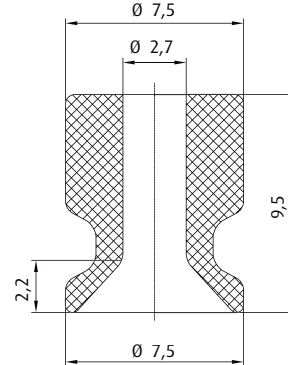


Icon	Connection	see page
	M5-male	410

Item no.
102.007.484.*

Material
SI (tr)

0.8 mm

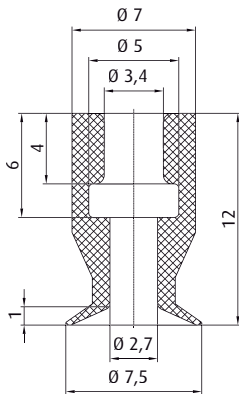


Icon	Connection	see page
	M5-male	409

Item no.
102.008.187.*

Material
NR (sw)

1.5 mm

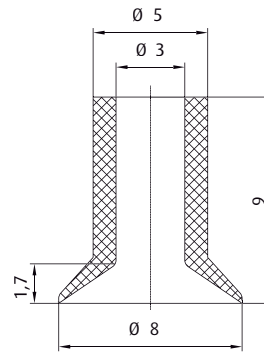


Icon	Connection	see page
	M5-male	411
	M5-female	412
	G1/8-male	417
	G1/8-female	422

Item no.
102.008.392.*

Material
SI (tr)

0.5 mm

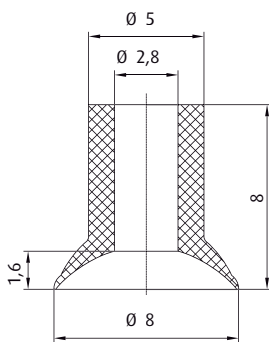


Icon	Connection	see page
	M5-male	409

Item no.
102.008.395.*

Material
NBR (sw)

0.9 mm



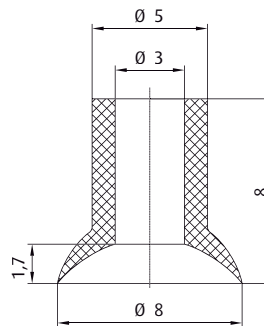
Icon	Connection	see page
	M5-male	409

Item no.
112.008.007.*

Material
NBR (sw), SI (w), NR (sw)

1.5 mm

Additional sizes available are found on p. 52.



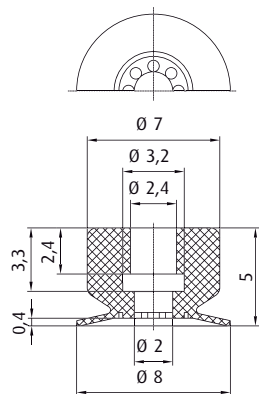
Icon	Connection	see page
	M5-male	409

Item no.
112.008.009.*

Material
SI (tr), NR (sw), NR (br)

1 mm

* When ordering please add the appropriate material code to item no. You will find it in the foldout.
Average holding forces for Vacuum cups you will find on page 760

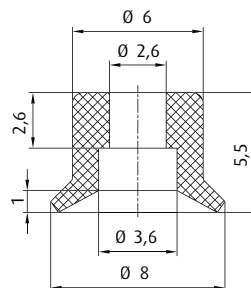


Item no.	Connection	see page
270.283	M5-male	409

VERY FLEXIBLE

Item no. 104.008.070.*	Material NBR (sw), SI-FS (r)	0.5 mm
----------------------------------	--	--------

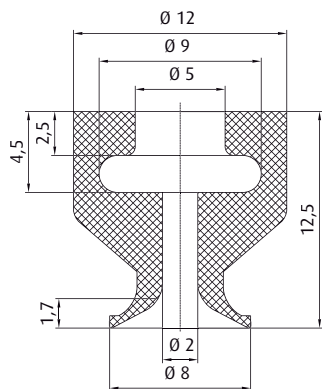
Additional sizes available are found on p. 20.
This vacuum cup is also available in the following dimensions: 10 mm, 15 mm, 20 mm



Item no.	Connection	see page
270.283	M5-male	409

Item no. 102.008.283.*	Material NBR (sw), SI (tr), SI-AS (sw), PU (bl), FKM (gr)	1 mm
----------------------------------	--	------

Additional sizes available are found on p. 38.

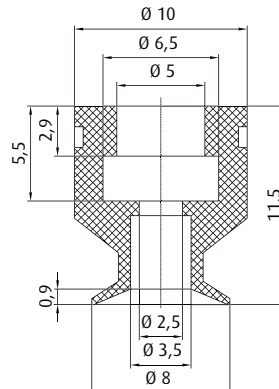


Item no.	Connection	see page
270.200	M5-male	411
270.064	G1/8-male	418
270.065	G1/8-female	422

Item no.	see page
50.018	8.5 mm 454
50.019	8.5 mm 454

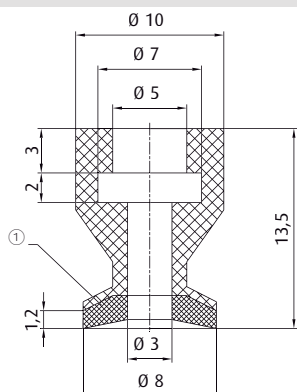
Item no. 102.008.218.*	Material NBR (sw), SI (tr)	1 mm
----------------------------------	--------------------------------------	------

Additional sizes available are found on p. 50.



Item no.	Connection	see page
270.010	M5-male	411
270.005	M5-female	412
270.009	G1/8-male	417
270.007	G1/8-female	422

Item no. 102.008.227.*	Material SI (tr)	0.5 mm
----------------------------------	----------------------------	--------



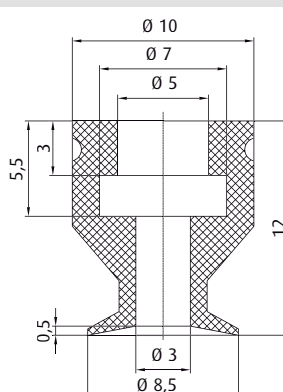
Item no.	Connection	see page
270.094	M5-male	411
270.200	M5-male	411
270.064	G1/8-male	418
270.065	G1/8-female	422

Item no.	see page
50.018	8.5 mm 454
50.141	10 mm 456

① = Silicone sponge

Item no. 104.008.082.*	Material SI (bl/r)	0.5 mm
----------------------------------	------------------------------	--------

Additional sizes available are found on p. 166.



Item no.	Connection	see page
270.200	M5-male	411
270.064	G1/8-male	418
270.065	G1/8-female	422

Item no.	see page
50.018	8.5 mm 454
50.141	10 mm 456

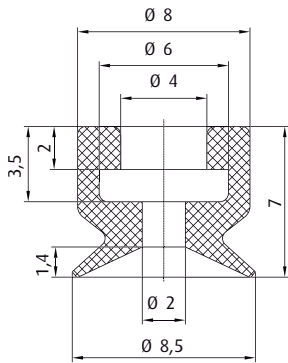
Item no. 102.008.362.*	Material SI (bl)	0.6 mm
----------------------------------	----------------------------	--------

* When ordering please add the appropriate material code to item no. You will find it in the foldout.
Average holding forces for Vacuum cups you will find on page 760



Vacuum cups by size | Flat vacuum cups by \varnothing

\varnothing 8 - 9 mm



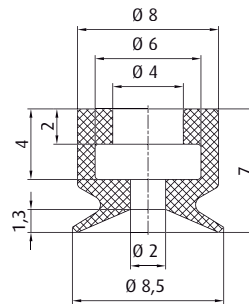
Icon	Connection	see page
	M5-male	411
	M5-female	412
	G1/8-male	417
	G1/8-female	422

Icon	Connection	see page
	10 mm	454

BESTSELLER

Item no. 102.008.017.*	Material NBR (sw), SI (tr), SI-AS (sw), PU (bl), FKM (sw)	1.4 mm
----------------------------------	--	--------

Additional sizes available are found on p. 32.

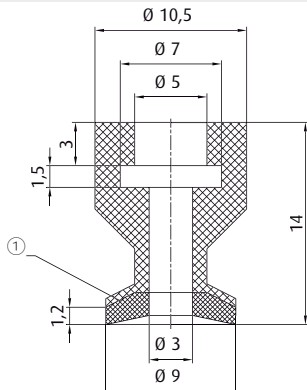


Icon	Connection	see page
	M5-male	411
	M5-female	412
	G1/8-male	417
	G1/8-female	422

Icon	Connection	see page
	10 mm	454

Item no. 102.008.497.*	Material Thermalon® (bl)	1.3 mm
----------------------------------	------------------------------------	--------

Additional sizes available are found on p. 36.



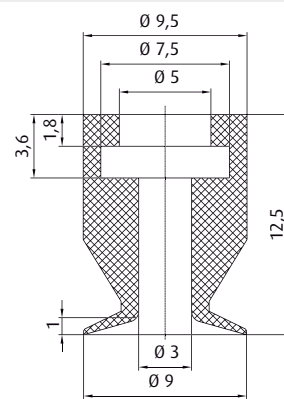
Icon	Connection	see page
	M5-male	411
	G1/8-male	418
	G1/8-female	422

Icon	Connection	see page
	10 mm	456
	8.5 mm	454

① = Silicone sponge

Item no. 104.009.083.*	Material SI (bl/r)	0.5 mm
----------------------------------	------------------------------	--------

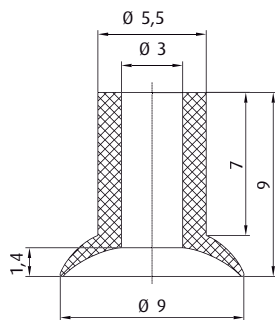
Additional sizes available are found on p. 166.



Icon	Connection	see page
	M5-male	411
	G1/8-male	418
	G1/8-female	422

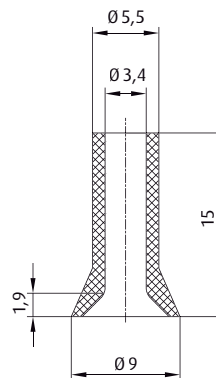
Icon	Connection	see page
	8.5 mm	454
	10 mm	456

Item no. 102.009.111.*	Material SI (tr)	1 mm
----------------------------------	----------------------------	------



Icon	Connection	see page
	M5-male	409

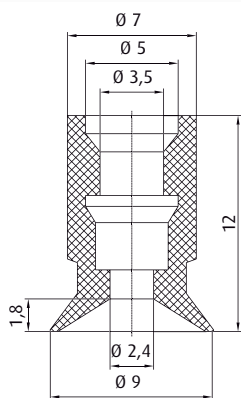
Item no. 102.009.174.*	Material Vinyl (bl)	1 mm
----------------------------------	-------------------------------	------



Icon	Connection	see page
	M5-male	409
	M6-male	413
	G1/8-male	416
	G1/8-female	421

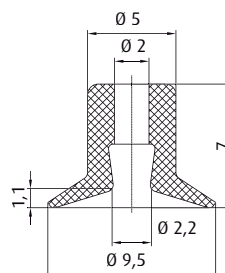
Item no. 107.009.001.*	Material SI (tr), NR (br)	1.5 mm
----------------------------------	-------------------------------------	--------

* When ordering please add the appropriate material code to item no. You will find it in the foldout.
Average holding forces for Vacuum cups you will find on page 760



Item no.	Connection	see page
270.399	M5-male	410

Item no. 102.008.228.*	Material SI (tr)	0.8 mm
----------------------------------	----------------------------	--------

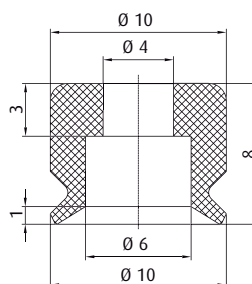


Item no.	Connection	see page
270.153	M5-male	409

BESTSELLER

Item no. 102.009.092.*	Material SI (tr), CR (sw)	1.5 mm
----------------------------------	-------------------------------------	--------

Additional sizes available are found on p. 42.

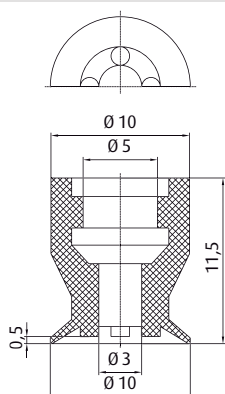


Item no.	Connection	see page
270.010	M5-male	411
270.009	G1/8-male	417
270.007	G1/8-female	422

Item no.	Material	see page
50.103	6 mm	454
50.104	6 mm	454
50.125	10 mm	454
50.126	15 mm	454
50.127	20 mm	454

Item no. 102.010.284.*	Material NBR (sw), SI (tr), SI-AS (sw), PU (bl), FKM (gr)	1 mm
----------------------------------	--	------

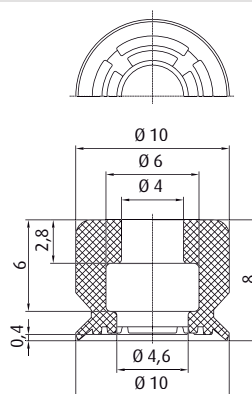
Additional sizes available are found on p. 38.



Item no.	Connection	see page
270.094	M5-male	411
270.095	G1/8-male	418
270.096	G1/8-female	422

Item no. 104.010.001.*	Material NBR (sw), SI (bl)	1.5 mm
----------------------------------	--------------------------------------	--------

This vacuum cup is also available in the following dimensions: 15 mm, 18 mm, 24 mm, 30 mm, 40 mm, 50 mm



Item no.	Connection	see page
270.010	M5-male	411
270.009	G1/8-male	417
270.007	G1/8-female	422

Item no.	Material	see page
50.103	6 mm	454
50.104	6 mm	454
50.125	10 mm	454
50.126	15 mm	454
50.127	20 mm	454

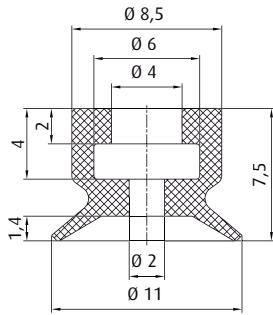
Item no. 104.010.065.*	Material NBR (sw)	0.5 mm
----------------------------------	-----------------------------	--------

* When ordering please add the appropriate material code to item no. You will find it in the foldout.
Average holding forces for Vacuum cups you will find on page 760



Vacuum cups by size | Flat vacuum cups by \varnothing

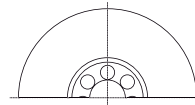
\varnothing 10 mm



	Connection	see page
270.010	M5-male	411
270.005	M5-female	412
270.009	G1/8-male	417
270.007	G1/8-female	422
50.330	10 mm	454

Item no. 102.010.498.* **Material** Thermalon® (bl) 1.5 mm

Additional sizes available are found on p. 36.

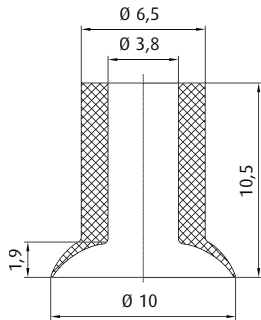


	Connection	see page
270.283	M5-male	409

Item no. 104.010.071.* **Material** NBR (sw), SI-FS (r) 0.7 mm

Additional sizes available are found on p. 20.
This vacuum cup is also available in the following dimensions: 8 mm, 15 mm, 20 mm

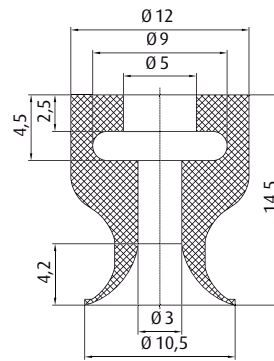
VERY FLEXIBLE



	Connection	see page
270.134	M5-male	409
270.347	M5-female	412
270.104	M6-male	413
270.033	G1/8-male	416
270.478	G1/8-female	421
50.037	25 mm	456

Item no. 112.010.011.* **Material** NBR (sw), SI (w) 2 mm

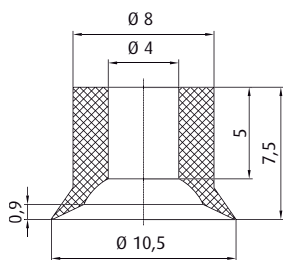
Additional sizes available are found on p. 52.



	Connection	see page
270.200	M5-male	411
270.064	G1/8-male	418
270.065	G1/8-female	422
50.018	8.5 mm	454
50.019	8.5 mm	454

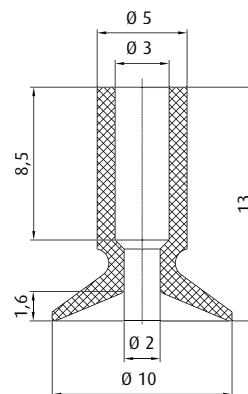
Item no. 102.010.219.* **Material** NBR (sw), SI (tr) 1 mm

Additional sizes available are found on p. 50.



	Connection	see page
270.010	M5-male	411
270.005	M5-female	412
270.009	G1/8-male	417
270.007	G1/8-female	422

Item no. 112.010.027.* **Material** NBR (sw), SI (bl) 1.5 mm

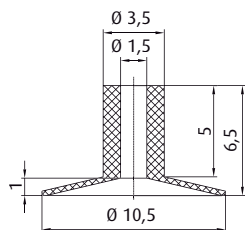


	Connection	see page
270.022	M5-male	409

Item no. 122.010.005.* **Material** NBR (sw), SI (tr), Vulkollan® (br) 1.5 mm

Additional sizes available are found on p. 56.

* When ordering please add the appropriate material code to item no. You will find it in the foldout.
Average holding forces for Vacuum cups you will find on page 760

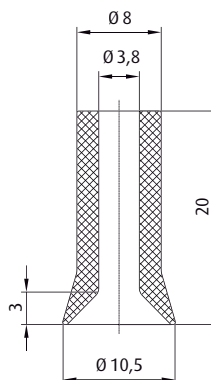


Icon	Connection	see page
	M3-male	408
	M5-male	409

Item no.
102.011.172.*

Material
Vinyl (bl)

0.5 mm

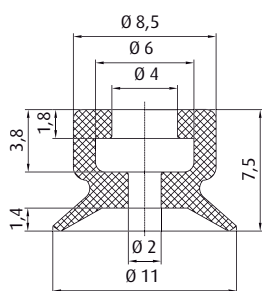


Icon	Connection	see page
	M5-male	409
	M5-female	412
	M6-male	413
	G1/8-male	416
	G1/8-female	421

Item no.
102.011.173.*

Material
Vinyl (bl)

1.5 mm



Icon	Connection	see page
	M5-male	411
	M5-female	412
	G1/8-male	417
	G1/8-female	422

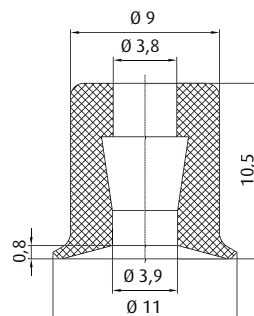
Icon	see page
	454

Item no.
102.010.024.*

Material
NBR (sw), NBR-AS (sw), SI (tr),
SI-AS (sw), PU (bl)

1.2 mm

Additional sizes available are found on p. 32.



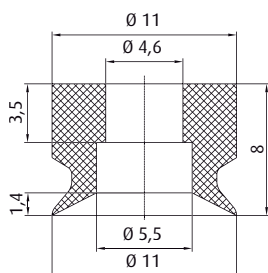
Icon	Connection	see page
	M5-male	409
	M6-male	413

Item no.
102.011.093.*

Material
SI (tr), CR (sw)

1 mm

Additional sizes available are found on p. 42.

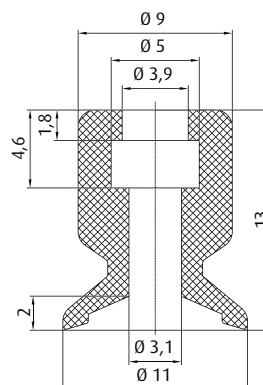


Icon	Connection	see page
	M5-male	411
	M5-female	412
	G1/8-male	417
	G1/8-female	422

Item no.
102.011.181.*

Material
NBR (sw), SI (tr)

1 mm



Icon	Connection	see page
	M5-male	409
	M5-female	412
	M6-male	413
	G1/8-male	416
	G1/8-female	421

Item no.
102.011.171.*

Material
Vinyl (bl)

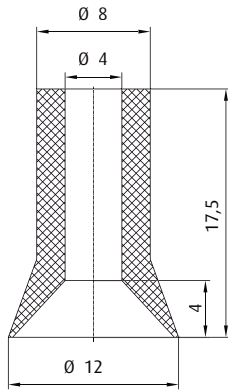
0.5 mm

* When ordering please add the appropriate material code to item no. You will find it in the foldout.
Average holding forces for Vacuum cups you will find on page 760



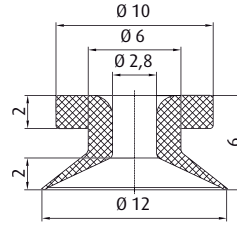
Vacuum cups by size | Flat vacuum cups by Ø

Ø 12 - 13 mm



	Connection	see page
270.134	M5-male	409
270.347	M5-female	412
270.104	M6-male	413
270.033	G1/8-male	416
270.478	G1/8-female	421

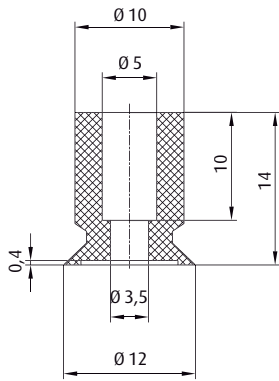
Item no. 102.012.101.* **Material** NR (br) 2.5 mm



	Connection	see page
270.283	M5-male	409

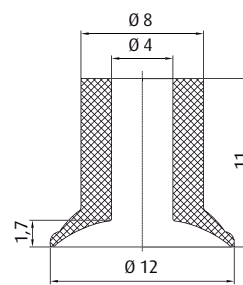
Item no. 102.012.267.* **Material** NR (bg) 2.5 mm

Additional sizes available are found on p. 22.



	Connection	see page
270.013	M5-male	410
270.005	M5-female	412
270.103	M6-male	413
270.003	G1/8-male	416
270.015	G1/8-female	421
270.194	G1/4-male	425

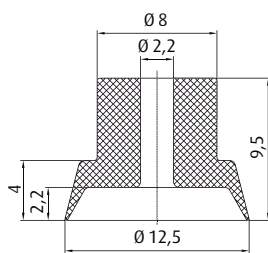
Item no. 107.012.002.* **Material** NBR (sw), SI (tr), NR (bg) 0.4 mm



	Connection	see page
270.134	M5-male	409
270.347	M5-female	412
270.104	M6-male	413
270.033	G1/8-male	416
270.478	G1/8-female	421

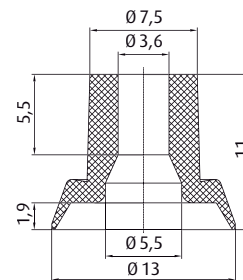
Item no. 112.012.015.* **Material** NBR (sw), SI (w), NR (sw) 2 mm

Additional sizes available are found on p. 52.



	Connection	see page
270.153	M5-male	409

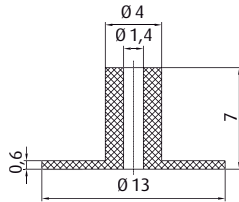
Item no. 102.013.070.* **Material** NR (bg) 2 mm



	Connection	see page
270.010	M5-male	411
270.033	G1/8-male	416
270.478	G1/8-female	421

Item no. 102.013.077.* **Material** NR (bl) 2 mm

* When ordering please add the appropriate material code to item no. You will find it in the foldout. Average holding forces for Vacuum cups you will find on page 760

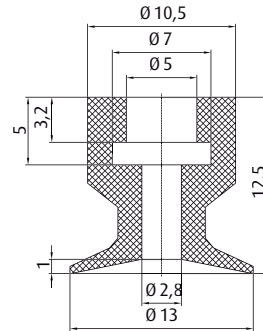


Icon	Connection	see page
	M3-male	408

Item no.
102.013.012.*

Material
SI (tr)

0 mm



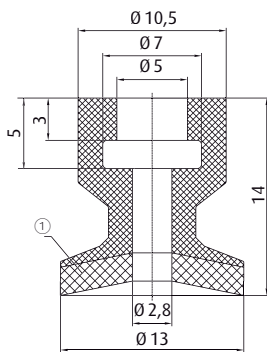
Icon	Connection	see page
	M5-male	411
	G1/8-male	418
	G1/8-female	422

Icon	Icon	see page
	8.5 mm	454
	10 mm	456

Item no.
102.013.363.*

Material
SI (bl)

0.8 mm



Icon	Connection	see page
	M5-male	411
	M5-male	411
	G1/8-male	418
	G1/8-female	422

Icon	Icon	see page
	8.5 mm	454
	10 mm	456

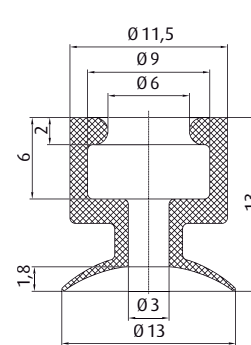
① = Silicone sponge

Item no.
104.013.084.*

Material
SI (bl/r)

0.5 mm

Additional sizes available are found on p. 166.



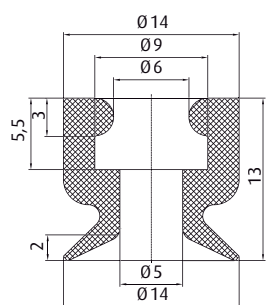
Icon	Connection	see page
	M5-male	411
	M6-male	413
	G1/8-male	418
	G1/8-female	422

Item no.
102.012.332.*

Material
NR (or)

1.5 mm

Additional sizes available are found on p. 24.



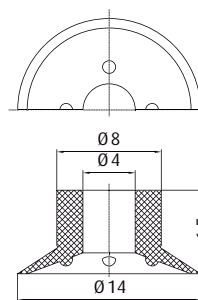
Icon	Connection	see page
	M5-male	411
	M6-male	413
	G1/8-male	418
	G1/8-female	422

Item no.
102.014.333.*

Material
NR (or)

2 mm

Additional sizes available are found on p. 24.



Icon	Connection	see page
	M5-male	411
	G1/8-male	416
	G1/8-female	421

Item no.
104.014.020.*

Material
NBR (sw)

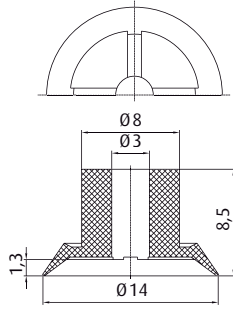
1.5 mm

* When ordering please add the appropriate material code to item no. You will find it in the foldout.
Average holding forces for Vacuum cups you will find on page 760



Vacuum cups by size | Flat vacuum cups by \varnothing

\varnothing 14 - 15 mm



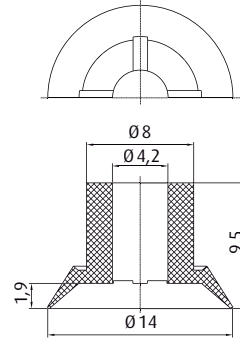
	Connection	see page
270.536	M5-male	409

Item no.
102.014.089._*

Material
NBR (sw)

1.5 mm

Additional sizes available are found on p. 20.

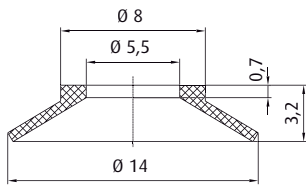


	Connection	see page
270.010	M5-male	411
270.033	G1/8-male	416
270.478	G1/8-female	421

Item no.
104.014.025._*

Material
SI (tr), NR (sw)

2 mm

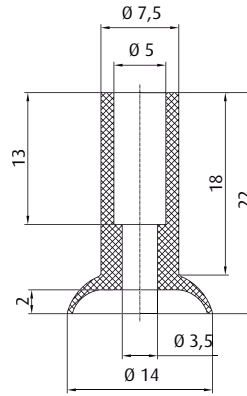


	Connection	see page
270.105	M6-male	414
270.040	M8-male	415
270.077	G1/8-male	419

Item no.
107.014.005._*

Material
PU (tr)

1.5 mm

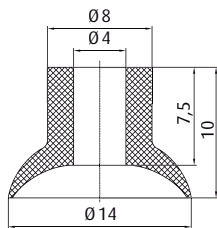


	Connection	see page
270.013	M5-male	410
270.005	M5-female	412
270.103	M6-male	413
270.003	G1/8-male	416
270.015	G1/8-female	421

Item no.
115.015.002._*

Material
NR (bg)

3 mm

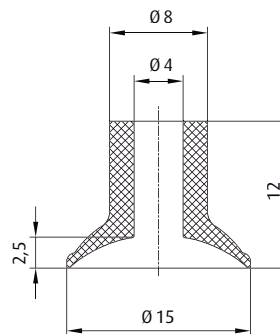


	Connection	see page
270.010	M5-male	411
270.033	G1/8-male	416
270.478	G1/8-female	421

Item no.
112.015.021._*

Material
NBR (sw), SI (tr)

2 mm



	Connection	see page
270.134	M5-male	409
270.104	M6-male	413
270.033	G1/8-male	416
270.478	G1/8-female	421

		see page
50.037	25 mm	456

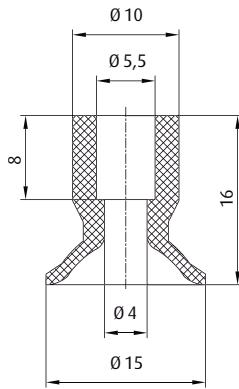
Item no.
112.015.022._*

Material
NBR (sw), SI (w), NR (sw)

2 mm

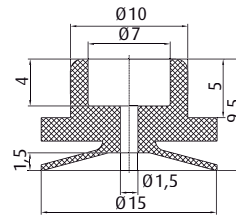
Additional sizes available are found on p. 52.

* When ordering please add the appropriate material code to item no. You will find it in the foldout.
Average holding forces for Vacuum cups you will find on page 760



Item no.	Connection	see page
270.013	M5-male	410
270.005	M5-female	412
270.103	M6-male	413
270.003	G1/8-male	416
270.015	G1/8-female	421

Item no. 122.015.004.* Material CR (sw) 2 mm

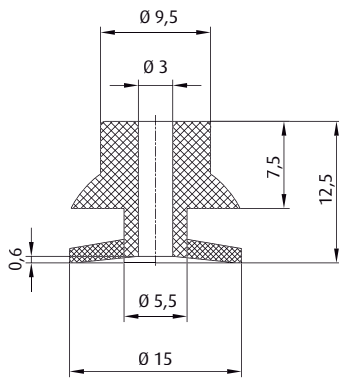


Item no.	Connection	see page
270.200	M5-male	411
270.064	G1/8-male	418
270.065	G1/8-female	422

Item no.	Connection	see page
50.018	8.5 mm	454
50.019	8.5 mm	454

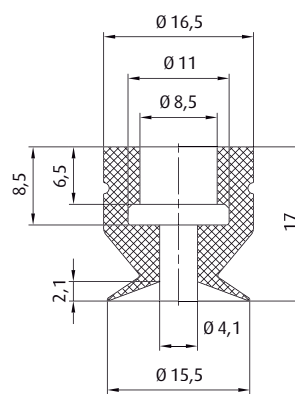
Item no. 102.015.339.* Material Vinyl (bl) 1.5 mm

Additional sizes available are found on p. 22.



Item no.	Connection	see page
270.022	M5-male	409

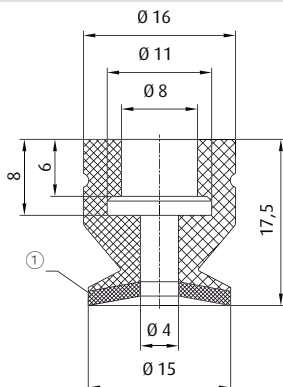
Item no. 107.015.062.* Material NR (sw) 1.5 mm



Item no.	Connection	see page
270.012	G1/8-male	421
270.020	G1/8-female	423
270.034	G1/4-male	428
270.038	G1/4-female	432

Item no.	Connection	see page
50.005	5 mm	456
50.145	10 mm	456
50.146	30 mm	456

Item no. 102.015.414.* Material SI (bl) 2 mm



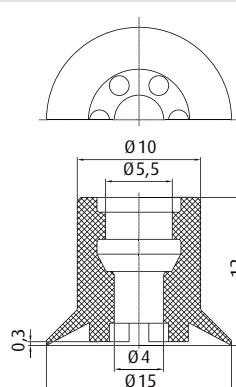
Item no.	Connection	see page
270.012	G1/8-male	421
270.020	G1/8-female	423
270.034	G1/4-male	428
270.038	G1/4-female	432

Item no.	Connection	see page
50.005	5 mm	456
50.145	10 mm	456
50.146	30 mm	456

① = Silicone sponge

Item no. 104.015.085.* Material SI (bl/r) 1 mm

Additional sizes available are found on p. 166.



Item no.	Connection	see page
270.094	M5-male	411
270.095	G1/8-male	418
270.096	G1/8-female	422

Item no. 104.015.002.* Material NBR (sw), SI (bl) 1 mm

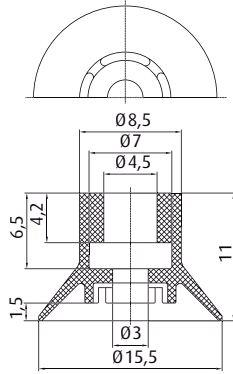
This vacuum cup is also available in the following dimensions: 10 mm, 18 mm, 24 mm, 30 mm, 40 mm, 50 mm

* When ordering please add the appropriate material code to item no. You will find it in the foldout. Average holding forces for Vacuum cups you will find on page 760



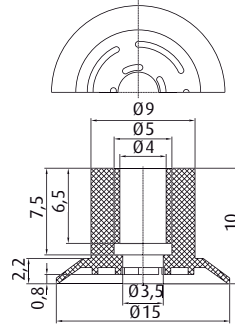
Vacuum cups by size | Flat vacuum cups by Ø

Ø 15 mm



	Connection	see page
270.013	M5-male	410
270.003	G1/8-male	416
270.015	G1/8-female	421

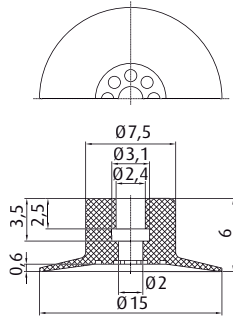
Item no. 102.015.367.* **Material** Vulkollan® (br) 2 mm



	Connection	see page
270.134	M5-male	409
270.104	M6-male	413
270.033	G1/8-male	416
270.478	G1/8-female	421

Item no. 102.015.431.* **Material** SI (tr), NR (bg) 0.5 mm

Additional sizes available are found on p. 20.
This vacuum cup is also available in the following dimensions: 24 mm, 28 mm, 30 mm, 40 mm

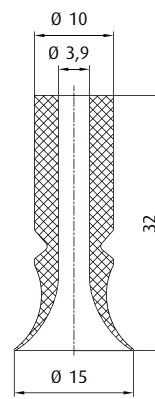


	Connection	see page
270.283	M5-male	409

VERY FLEXIBLE

Item no. 104.015.072.* **Material** NBR (sw), SI-FS (r) 1.1 mm

Additional sizes available are found on p. 20.
This vacuum cup is also available in the following dimensions: 8 mm, 10 mm, 20 mm

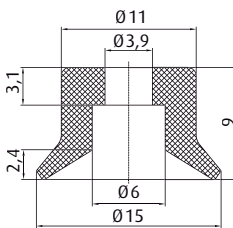


	Connection	see page
270.134	M5-male	409
270.347	M5-female	412
270.104	M6-male	413
270.033	G1/8-male	416
270.478	G1/8-female	421

FOR HIGHLY STRUCTURED SURFACES (3D)

	Connection	see page
50.037	25 mm	456

Item no. 126.015.002.* **Material** NR (sw), NR (bg) 6 mm

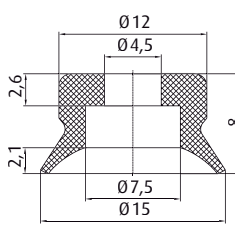


	Connection	see page
270.010	M5-male	411
270.009	G1/8-male	417
270.007	G1/8-female	422

	Connection	see page
50.103	6 mm	454
50.104	6 mm	454
50.125	10 mm	454
50.126	15 mm	454
50.127	20 mm	454

Item no. 102.015.285.* **Material** NBR (sw), SI (tr), SI-AS (sw), PU (bl), FKM (gr) 1.5 mm

Additional sizes available are found on p. 38.

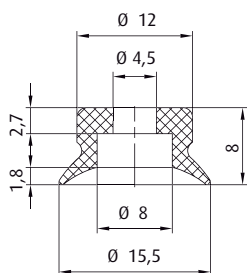


	Connection	see page
270.200	M5-male	411
270.064	G1/8-male	418
270.065	G1/8-female	422

Item no. 102.015.030.* **Material** NBR (sw), SI (tr), PU (bl) 2 mm

Additional sizes available are found on p. 32.

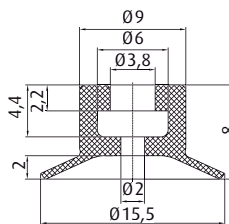
* When ordering please add the appropriate material code to item no. You will find it in the foldout.
Average holding forces for Vacuum cups you will find on page 760



	Connection	see page
270.200	M5-male	411
270.064	G1/8-male	418
270.065	G1/8-female	422
50.330	10 mm	454

Item no. 102.015.499.* **Material** Thermalon® (bl) 1.9 mm

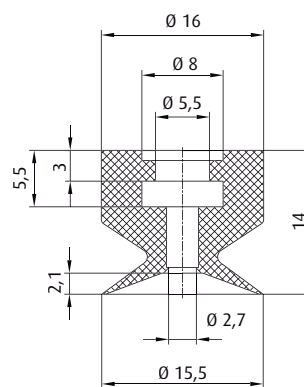
Additional sizes available are found on p. 36.



	Connection	see page
270.010	M5-male	411
270.005	M5-female	412
270.009	G1/8-male	417
270.007	G1/8-female	422
50.330	10 mm	454

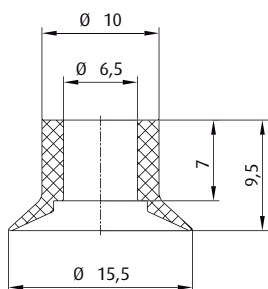
Item no. 102.015.309.* **Material** NBR (sw), SI (tr), PU (bl) 1.9 mm

Additional sizes available are found on p. 32.



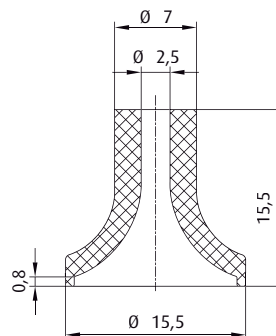
	Connection	see page
270.037	M5-male	411
270.085	G1/8-male	418
270.086	G1/8-female	422

Item no. 102.016.319.* **Material** PU (bl) 2 mm



	Connection	see page
270.250	G1/8-male	418

Item no. 102.016.146.* **Material** NR (gr) 2 mm



	Connection	see page
270.443	M5-male	410
270.238	G1/8-male	417
270.110	G1/8-female	422
270.534	G1/4-male	425

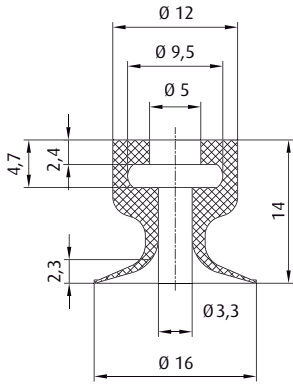
Item no. 102.016.138.* **Material** NR (bg) 3.2 mm

* When ordering please add the appropriate material code to item no. You will find it in the foldout. Average holding forces for Vacuum cups you will find on page 760



Vacuum cups by size | Flat vacuum cups by Ø

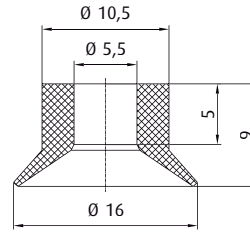
Ø 16 mm



Icon	Connection	see page
	M5-male	411
	G1/8-male	418
	G1/8-female	422
	8.5 mm	454
	8.5 mm	454

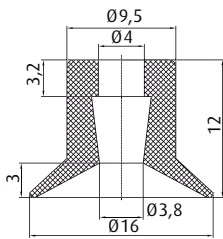
Item no. 102.015.220.* **Material** NBR (sw), SI (tr) 2 mm

Additional sizes available are found on p. 50.



Icon	Connection	see page
	M5-male	411
	G1/8-male	418
	G1/8-female	422

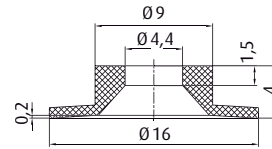
Item no. 126.016.003.* **Material** NR (bg) 3 mm



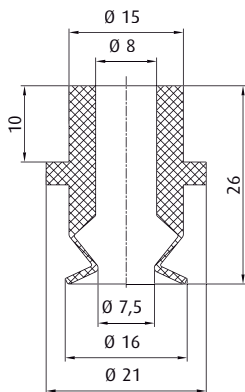
Icon	Connection	see page
	M5-male	409
	M6-male	413

Item no. 102.016.098.* **Material** SI (tr), CR (sw) 2 mm

Additional sizes available are found on p. 42.



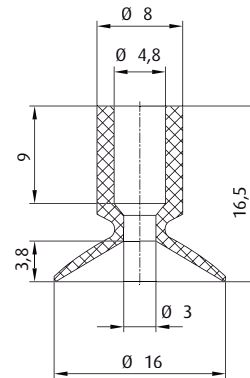
Item no. 102.016.145.* **Material** NR (bg) 0.5 mm



Icon	Connection	see page
	G1/8-male	417
	G1/8-female	422
	G1/4-male	425
	G1/4-female	431

Item no. 107.016.008.* **Material** SI (tr) 2.4 mm

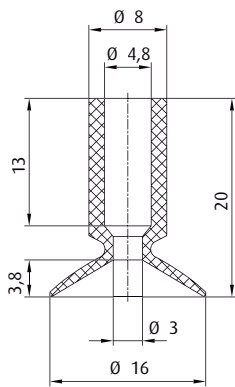
Additional sizes available are found on p. 58.



Icon	Connection	see page
	M5-male	410
	G1/8-male	416
	G1/8-female	421
	G1/4-male	425
	25 mm	456

Item no. 122.016.006.* **Material** NBR (sw) 5 mm

* When ordering please add the appropriate material code to item no. You will find it in the foldout. Average holding forces for Vacuum cups you will find on page 760

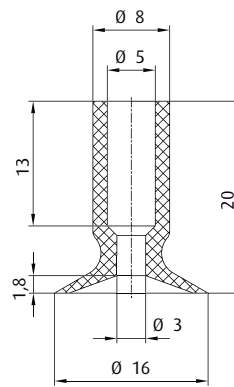


Item no.	Connection	see page
270.013	M5-male	410
270.003	G1/8-male	416
270.015	G1/8-female	421
270.194	G1/4-male	425

Item no.	Connection	see page
50.037	25 mm	456

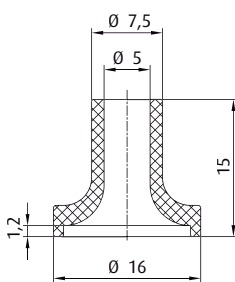
Item no. 122.016.009.* Material NBR (sw), SI (tr), NR (sw) 5 mm

Additional sizes available are found on p. 56.



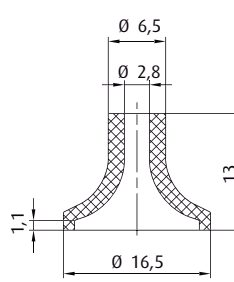
Item no.	Connection	see page
270.013	M5-male	410
270.003	G1/8-male	416
270.015	G1/8-female	421
270.194	G1/4-male	425

Item no. 122.016.076.* Material Vulkollan® (br) 2.5 mm



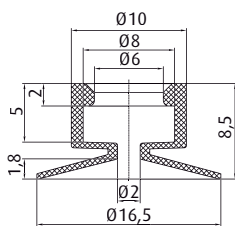
Item no.	Connection	see page
270.013	M5-male	410
270.103	M6-male	413
270.003	G1/8-male	416
270.015	G1/8-female	421

Item no. 102.016.122.* Material NR (bg) 3 mm



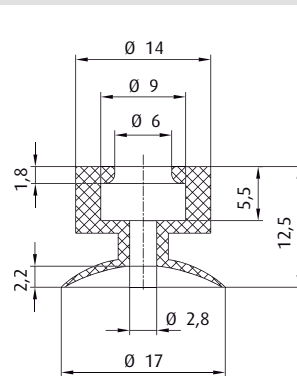
Item no.	Connection	see page
270.536	M5-male	409

Item no. 102.017.420.* Material NR (br) 3.5 mm



Item no.	Connection	see page
270.037	M5-male	411
270.373	M6-male	413
270.085	G1/8-male	418
270.086	G1/8-female	422

Item no. 102.016.151.* Material NR (gr) 0.5 mm



Item no.	Connection	see page
270.037	M5-male	411
270.373	M6-male	413
270.085	G1/8-male	418
270.086	G1/8-female	422

Item no. 102.016.255.* Material SI (r) 3 mm

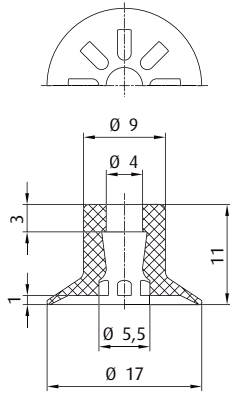
Additional sizes available are found on p. 24.

* When ordering please add the appropriate material code to item no. You will find it in the foldout. Average holding forces for Vacuum cups you will find on page 760



Vacuum cups by size | Flat vacuum cups by \varnothing

\varnothing 17 - 18 mm

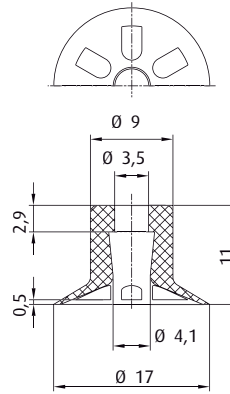


	Connection	see page
270.134	M5-male	409
270.104	M6-male	413

BESTSELLER

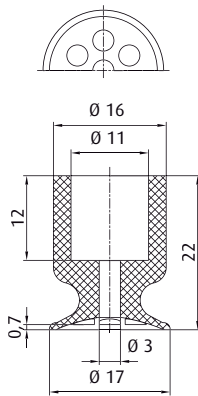
Item no. 104.016.003.* **Material** SI (tr), CR (sw) 0.5 mm

Additional sizes available are found on p. 42.



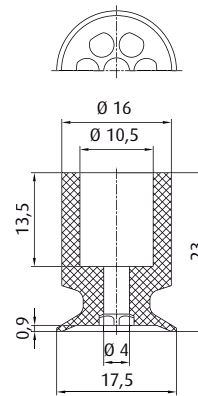
	Connection	see page
270.134	M5-male	409
270.104	M6-male	413

Item no. 104.017.026.* **Material** NR (sw) 1 mm



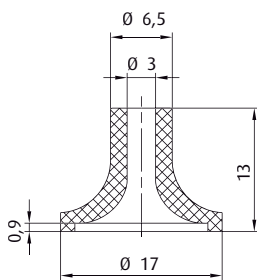
	Connection	see page
270.177	M10-male	416
270.451	G1/4-male	426
270.452	G1/4-female	431

Item no. 102.017.193.* **Material** Vulkollan® (br) 0.7 mm



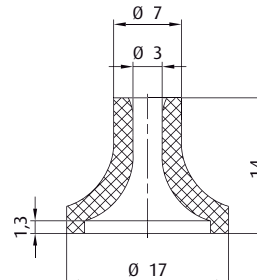
	Connection	see page
270.177	M10-male	416
270.451	G1/4-male	426
270.452	G1/4-female	431

Item no. 104.018.049.* **Material** Vinyl (bl) 2 mm



	Connection	see page
270.536	M5-male	409

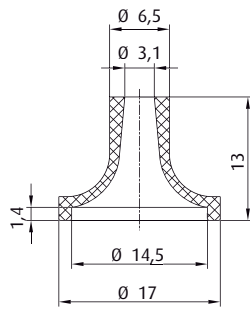
Item no. 102.017.132.* **Material** NR (bl) 3 mm



	Connection	see page
270.536	M5-male	409

Item no. 102.017.133.* **Material** NR (g) 2.4 mm

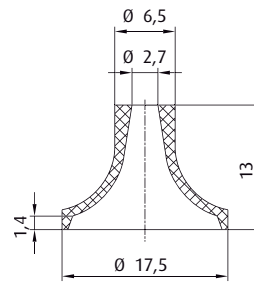
* When ordering please add the appropriate material code to item no. You will find it in the foldout.
Average holding forces for Vacuum cups you will find on page 760



Icon	Connection	see page
	M5-male	409

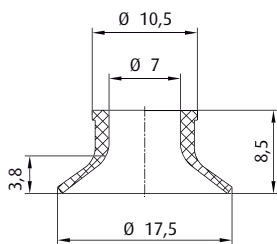
Item no. 102.017.276.* **Material** NR (br) 3 mm

Additional sizes available are found on p. 22.



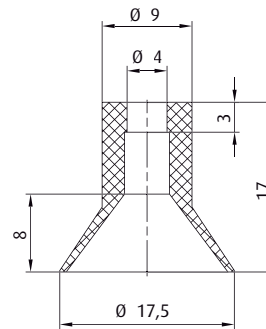
Icon	Connection	see page
	M5-male	410
	M5-female	412
	G1/8-male	416

Item no. 102.018.277.* **Material** NR (bl) 0.6 mm



Icon	Connection	see page
	M5-female	413
	G1/8-male	418
	G1/8-male	418

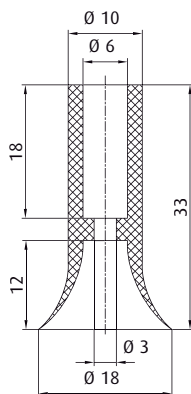
Item no. 102.019.139.* **Material** NR (bg) 1 mm



Icon	Connection	see page
	M5-male	409
	M6-male	413

Item no. 122.016.012.* **Material** SI (tr), CR (sw) 1.5 mm

Additional sizes available are found on p. 42.

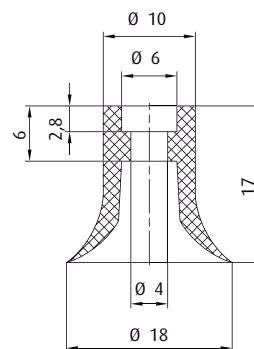


Icon	Connection	see page
	M5-male	410
	G1/8-male	417
	G1/8-female	422
	G1/4-male	425

Item no. 102.018.345.* **Material** SI (tr) --

Additional sizes available are found on p. 58.

FLEXIBLE LIP



Icon	Connection	see page
	M5-male	410
	G1/8-male	416
	G1/8-female	421

Item no. 107.018.004.* **Material** SI (tr) --

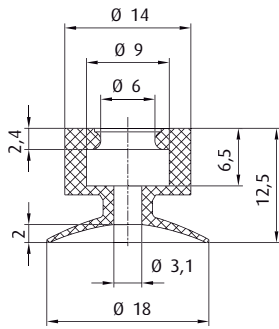
Additional sizes available are found on p. 58.

* When ordering please add the appropriate material code to item no. You will find it in the foldout. Average holding forces for Vacuum cups you will find on page 760



Vacuum cups by size | Flat vacuum cups by \varnothing

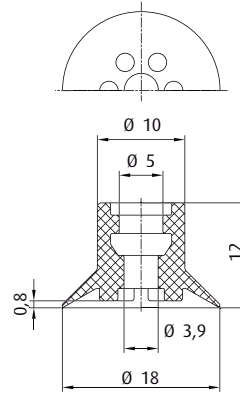
\varnothing 18 mm



	Connection	see page
270.037	M5-male	411
270.373	M6-male	413
270.085	G1/8-male	418
270.086	G1/8-female	422

Item no. 102.018.442.* Material NR (or) 2 mm

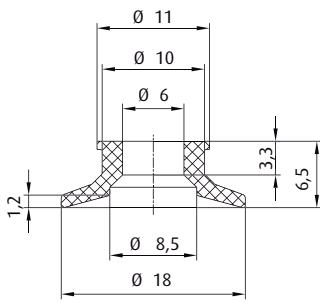
Additional sizes available are found on p. 24.



	Connection	see page
270.094	M5-male	411
270.095	G1/8-male	418
270.096	G1/8-female	422

Item no. 104.018.005.* Material NBR (sw), SI (bl) 1 mm

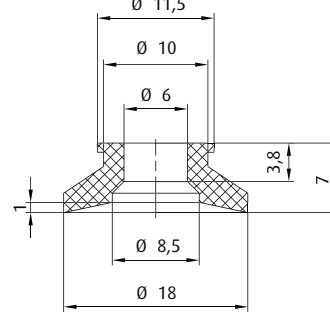
This vacuum cup is also available in the following dimensions: 10 mm, 15 mm, 24 mm, 30 mm, 40 mm, 50 mm



	Connection	see page
270.200	M5-male	411
270.064	G1/8-male	418
270.065	G1/8-female	422

		see page
50.018	8.5 mm	454
50.019	8.5 mm	454

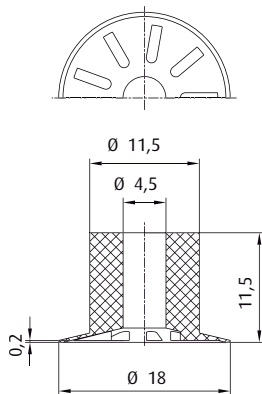
Item no. 102.018.143.* Material NR (bg) 0.5 mm



	Connection	see page
270.200	M5-male	411
270.064	G1/8-male	418
270.065	G1/8-female	422

		see page
50.018	8.5 mm	454
50.019	8.5 mm	454

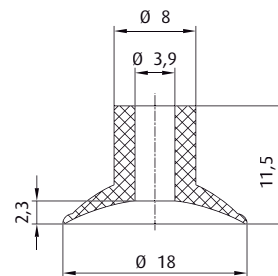
Item no. 102.018.144.* Material NR (bg) 0.5 mm



	Connection	see page
270.013	M5-male	410
270.005	M5-female	412
270.103	M6-male	413
270.003	G1/8-male	416
270.015	G1/8-female	421

		see page
50.037	25 mm	456

Item no. 104.018.051.* Material Vinyl (bl) 0.5 mm



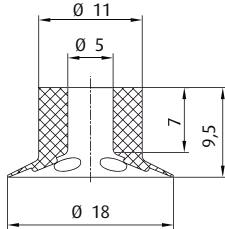
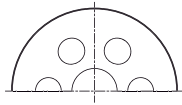
	Connection	see page
270.134	M5-male	409
270.347	M5-female	412
270.104	M6-male	413
270.033	G1/8-male	416
270.478	G1/8-female	421

		see page
50.037	25 mm	456

Item no. 112.018.024.* Material NBR (sw), SI (w), NR (sw) 2.3 mm

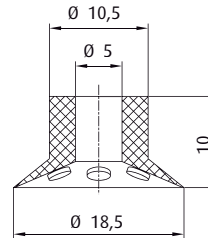
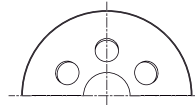
Additional sizes available are found on p. 52.

* When ordering please add the appropriate material code to item no. You will find it in the foldout. Average holding forces for Vacuum cups you will find on page 760



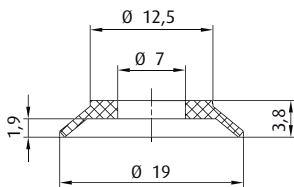
	Connection	see page
270.013	M5-male	410
270.005	M5-female	412
270.103	M6-male	413
270.003	G1/8-male	416
270.015	G1/8-female	421

Item no. 112.018.111.* **Material** SI (tr), NR (sw) 1 mm

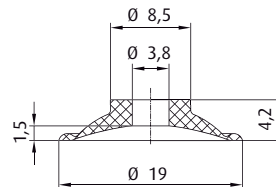


	Connection	see page
270.013	M5-male	410
270.005	M5-female	412
270.103	M6-male	413
270.003	G1/8-male	416
270.015	G1/8-female	421

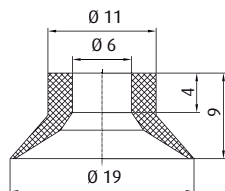
Item no. 127.018.001.* **Material** NBR (sw), SI (tr), NR (bg) 1.5 mm



Item no. 107.019.054.* **Material** NR (bl) 0.5 mm

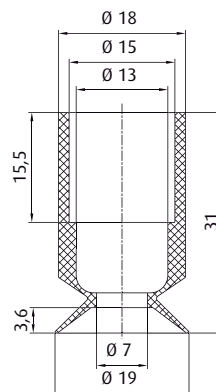


Item no. 112.019.073.* **Material** NR (sw) 2 mm



	Connection	see page
270.500-S	M5-female	413
270.250	G1/8-male	418
270.503-S	G1/8-male	418
270.534	G1/4-male	425

Item no. 122.019.014.* **Material** SI (tr), NR (bg) 3 mm



	Connection	see page
270.207	G1/4-male	426

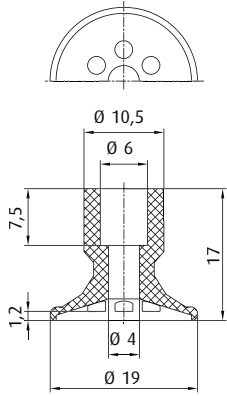
Item no. 102.019.036.* **Material** NR (sw) 5 mm

* When ordering please add the appropriate material code to item no. You will find it in the foldout. Average holding forces for Vacuum cups you will find on page 760



Vacuum cups by size | Flat vacuum cups by \varnothing

\varnothing 19 - 20 mm

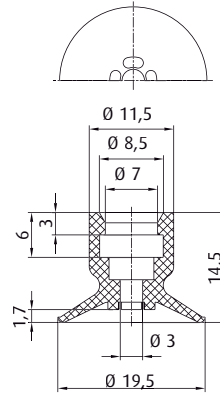


	Connection	see page
270.238	G1/8-male	417
270.110	G1/8-female	422
270.534	G1/4-male	425

Item no.
104.020.042.*

Material
Vinyl (bl)

0.5 mm



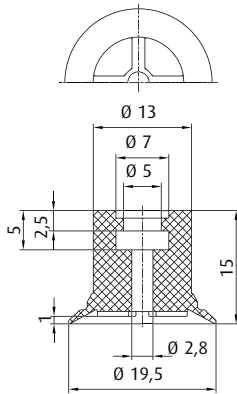
	Connection	see page
270.251	G1/8-female	423
270.501-S	G1/8-female	424
270.506-S	G1/4-male	428
270.505-S	G3/8-male	434

Item no.
102.020.355.*

Material
NBR (sw)

3 mm

This vacuum cup is also available in the following dimensions: 28 mm



	Connection	see page
270.037	M5-male	411
270.373	M6-male	413
270.085	G1/8-male	418
270.086	G1/8-female	422

		see page
50.018	8.5 mm	454
50.019	8.5 mm	454

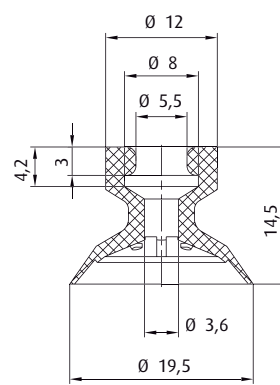
BESTSELLER

Item no.
102.020.083.*

Material
NBR (sw), SI (tr), SI (r)

1 mm

Additional sizes available are found on p. 20.

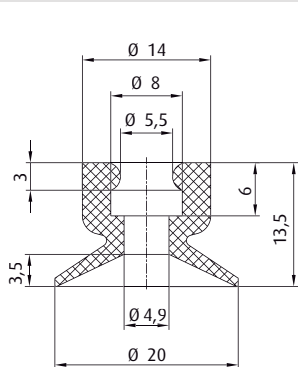


	Connection	see page
270.037	M5-male	411
270.373	M6-male	413
270.085	G1/8-male	418
270.086	G1/8-female	422

Item no.
102.020.272.*

Material
NR (sw)

1 mm



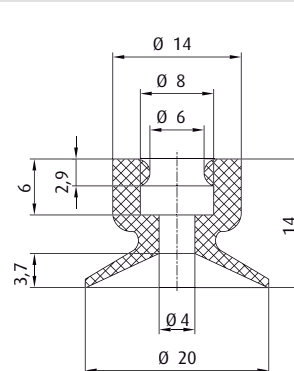
	Connection	see page
270.037	M5-male	411
270.373	M6-male	413
270.085	G1/8-male	418
270.086	G1/8-female	422

Item no.
102.020.140.*

Material
NR (sw), NR (or)

3 mm

Additional sizes available are found on p. 24.



	Connection	see page
270.037	M5-male	411
270.373	M6-male	413
270.085	G1/8-male	418
270.086	G1/8-female	422

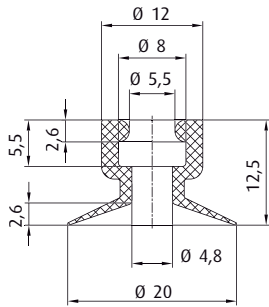
Item no.
126.020.004.*

Material
SI (tr), NR (or), NR (br)

3.5 mm

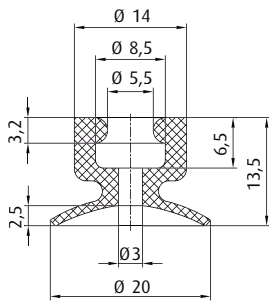
Additional sizes available are found on p. 24.

* When ordering please add the appropriate material code to item no. You will find it in the foldout.
Average holding forces for Vacuum cups you will find on page 760



	Connection	see page
270.037	M5-male	411
270.373	M6-male	413
270.085	G1/8-male	418
270.086	G1/8-female	422

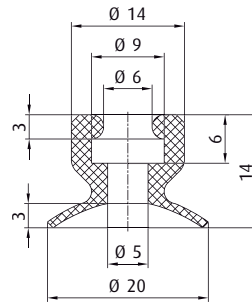
Item no. 126.020.005.*	Material NBR (sw), SI (tr), NR (sw)	1 mm
Additional sizes available are found on p. 24.		



	Connection	see page
270.037	M5-male	411
270.373	M6-male	413
270.085	G1/8-male	418
270.086	G1/8-female	422

WEAR-RESISTANT

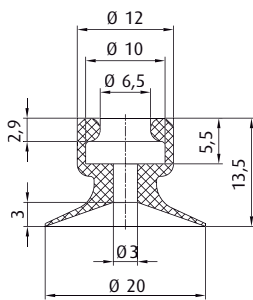
Item no. 102.020.299.*	Material Vulkollan® (br)	3.5 mm
Additional sizes available are found on p. 24.		



	Connection	see page
270.037	M5-male	411
270.373	M6-male	413
270.085	G1/8-male	418
270.086	G1/8-female	422

WEAR-RESISTANT

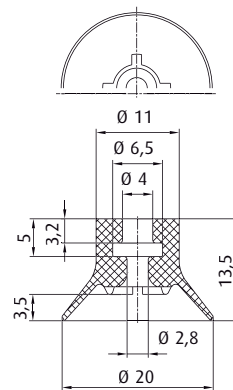
Item no. 102.020.300.*	Material Vulkollan® (br)	3 mm
Additional sizes available are found on p. 24.		



	Connection	see page
270.037	M5-male	411
270.373	M6-male	413
270.085	G1/8-male	418
270.086	G1/8-female	422

WEAR-RESISTANT

Item no. 102.020.308.*	Material Vulkollan® (br)	1 mm
Additional sizes available are found on p. 24.		



	Connection	see page
270.094	M5-male	411
270.095	G1/8-male	418
270.096	G1/8-female	422

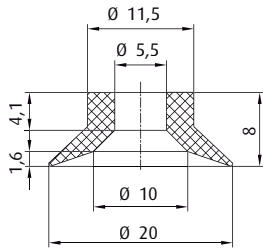
Item no. 102.020.321.*	Material Vulkollan® (br)	3.5 mm
----------------------------------	------------------------------------	--------

* When ordering please add the appropriate material code to item no. You will find it in the foldout.
Average holding forces for Vacuum cups you will find on page 760



Vacuum cups by size | Flat vacuum cups by \varnothing

\varnothing 20 mm

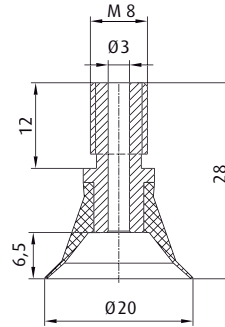


	Connection	see page
270.094	M5-male	411
270.095	G1/8-male	418
270.096	G1/8-female	422

Item no.
102.019.110.*

Material
NR (bg)

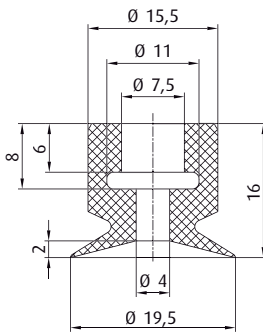
2 mm



Item no.
120.019.003.*

Material
NBR (sw), SI (tr), NR (sw)

2 mm



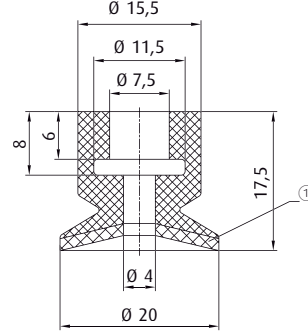
	Connection	see page
270.012	G1/8-male	421
270.020	G1/8-female	423
270.034	G1/4-male	428
270.038	G1/4-female	432

		see page
50.005	5 mm	456
50.145	10 mm	456
50.146	30 mm	456

Item no.
102.020.365.*

Material
SI (bl)

1.5 mm



	Connection	see page
270.012	G1/8-male	421
270.020	G1/8-female	423
270.034	G1/4-male	428
270.038	G1/4-female	432

		see page
50.005	5 mm	456
50.145	10 mm	456
50.146	30 mm	456

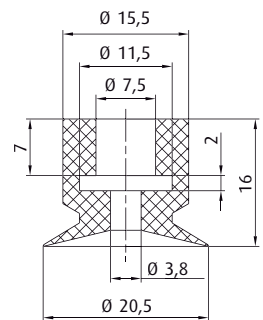
① = Silicone sponge

Item no.
104.020.086.*

Material
SI (bl/r)

1.5 mm

Additional sizes available are found on p. 166.



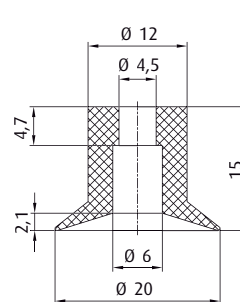
	Connection	see page
270.012	G1/8-male	421
270.020	G1/8-female	423
270.034	G1/4-male	428
270.038	G1/4-female	432

		see page
50.005	5 mm	456
50.145	10 mm	456
50.146	30 mm	456

Item no.
107.020.014.*

Material
SI (tr)

1 mm



	Connection	see page
270.317	M5-male	410
270.103	M6-male	413
270.205	G1/8-male	416
270.109	G1/8-female	421
270.194	G1/4-male	425

		see page
50.020	8.5 mm	454

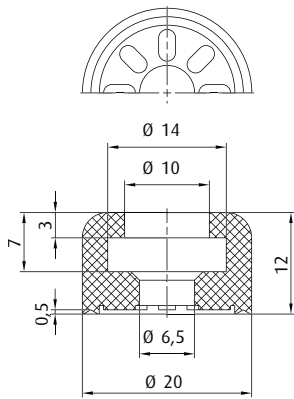
Item no.
102.020.221.*

Material
NBR (sw), SI (tr)

2 mm

Additional sizes available are found on p. 50.

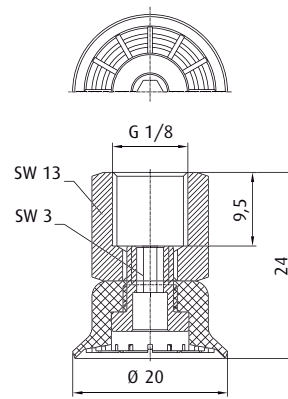
* When ordering please add the appropriate material code to item no. You will find it in the foldout.
Average holding forces for Vacuum cups you will find on page 760



Item no.	Connection	see page
270.521	M5-male	412

Item no. 102.020.458.* Material HNBR (ge), NR (br) 0.5 mm

Additional sizes available are found on p. 70.

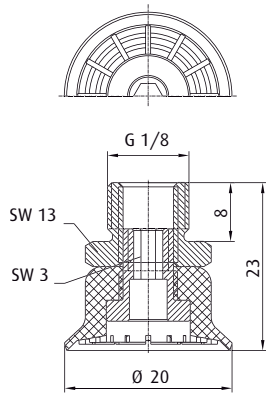


NON-SLIP

Item no. 100.020.101.* Material NBR (sw) 1.1 mm

Additional sizes available are found on p. 62.

Spare cup

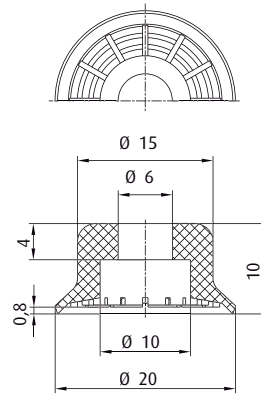


NON-SLIP

Item no. 100.020.111.* Material NBR (sw) 1.1 mm

Additional sizes available are found on p. 62.

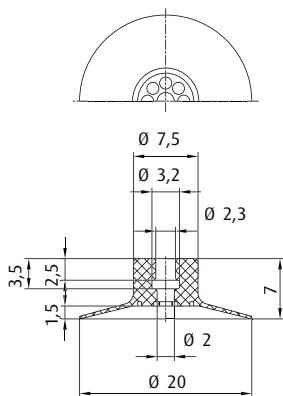
Spare cup



Item no.	Connection	see page
270.311	M5-male	411
270.459	M6-male	414
270.480	G1/8-male	420
270.479	G1/8-female	423

Item no.	see page
50.085	6 mm 454
50.128	10 mm 454
50.129	15 mm 454
50.130	20 mm 454
50.095	20 mm 456
50.096	30 mm 456
50.097	40 mm 456
50.098	50 mm 456

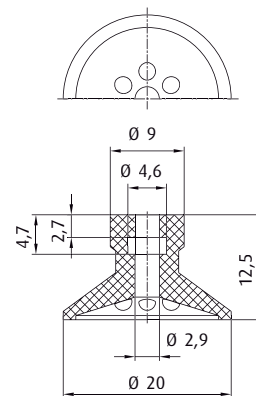
Item no. 104.020.066.* Material NBR (sw) 1.1 mm



VERY FLEXIBLE

Item no. 104.020.073.* Material NBR (sw), SI-FS (r) 1.6 mm

Additional sizes available are found on p. 20.
This vacuum cup is also available in the following dimensions: 8 mm, 10 mm, 15 mm



Item no.	Connection	see page
270.134	M5-male	409
270.347	M5-female	412
270.104	M6-male	413

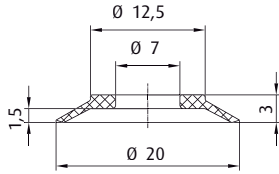
Item no. 104.020.075.* Material Vinyl (bl) 2 mm

* When ordering please add the appropriate material code to item no. You will find it in the foldout.
Average holding forces for Vacuum cups you will find on page 760



Vacuum cups by size | Flat vacuum cups by Ø

Ø 20 mm

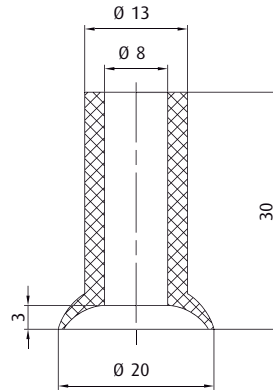


Item no.	Connection	see page
270.105	M6-male	414
270.040	M8-male	415
270.077	G1/8-male	419

Item no.
102.020.271.*

Material
NR (sw)

1 mm

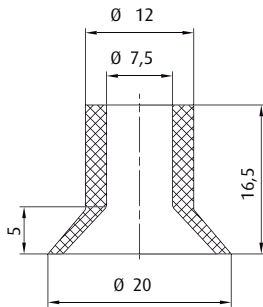


Item no.	Connection	see page
270.132	G1/8-male	417
270.114	G1/8-female	422
270.043	G1/4-male	425
270.178	G1/4-female	431

Item no.
107.020.013.*

Material
SI (tr), NR (br)

4 mm

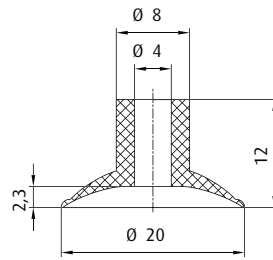


Item no.	Connection	see page
270.112	G1/8-male	419
270.114	G1/8-female	422
270.113	G1/4-male	425
270.178	G1/4-female	431

Item no.
107.020.015.*

Material
SI (tr), NR (sw), NR (br)

3 mm



Item no.	Connection	see page
270.134	M5-male	409
270.347	M5-female	412
270.104	M6-male	413
270.033	G1/8-male	416
270.478	G1/8-female	421

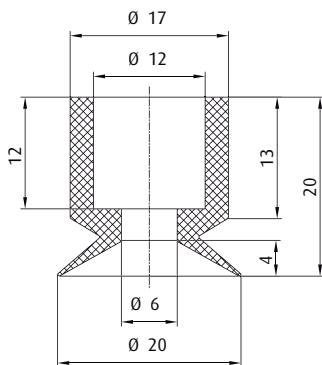
Item no.	Connection	see page
50.037	25 mm	456

Item no.
112.020.031.*

Material
NBR (sw), SI (w), NR (sw)

2.3 mm

Additional sizes available are found on p. 52.

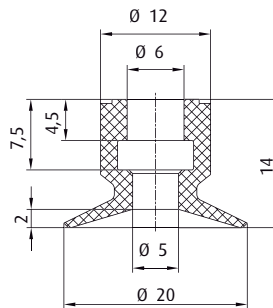


Item no.	Connection	see page
270.097	G1/4-male	426
270.098	G1/4-female	432

Item no.
122.020.017.*

Material
SI (tr), NR (bg)

3 mm



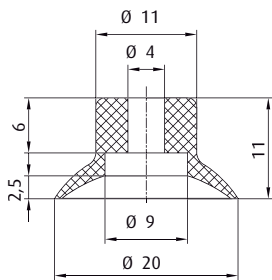
Item no.	Connection	see page
270.063	G1/8-male	419
270.061	G1/8-female	422

Item no.
102.021.179.*

Material
Vinyl (bl)

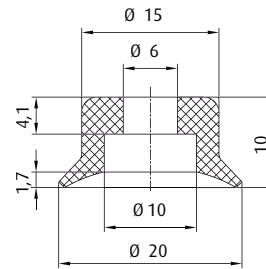
0.5 mm

* When ordering please add the appropriate material code to item no. You will find it in the foldout.
Average holding forces for Vacuum cups you will find on page 760



	Connection	see page
270.013	M5-male	410
270.003	G1/8-male	416
270.015	G1/8-female	421

Item no. 102.020.312.* **Material** SI (tr) 2.5 mm

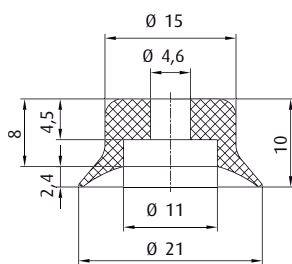


	Connection	see page
270.311	M5-male	411
270.459	M6-male	414
270.480	G1/8-male	420
270.479	G1/8-female	423

		see page
50.085	6 mm	454
50.128	10 mm	454
50.129	15 mm	454
50.130	20 mm	454
50.095	20 mm	456
50.096	30 mm	456
50.097	40 mm	456
50.098	50 mm	456

Item no. 102.020.286.* **Material** NBR (sw), SI (tr), PU (bl), FKM (gr) 2 mm

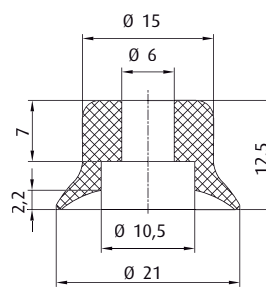
Additional sizes available are found on p. 38.



	Connection	see page
270.311	M5-male	411
270.063	G1/8-male	419
270.061	G1/8-female	422

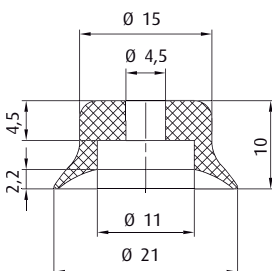
Item no. 102.020.041.* **Material** NBR (sw), SI (tr), PU (bl) 2 mm

Additional sizes available are found on p. 32.



	Connection	see page
270.030	G1/8-male	419
270.019	G1/8-female	423
270.274	G1/4-male	427
270.275	G1/4-female	432

Item no. 102.020.330.* **Material** NBR (sw), SI (tr) 3 mm



	Connection	see page
270.311	M5-male	411
270.063	G1/8-male	419
270.061	G1/8-female	422

Item no. 102.020.500.* **Material** Thermalon® (bl) 2.3 mm

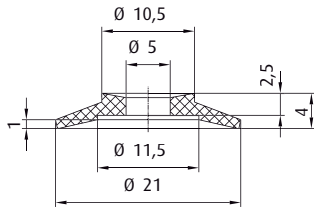
Additional sizes available are found on p. 36.

* When ordering please add the appropriate material code to item no. You will find it in the foldout. Average holding forces for Vacuum cups you will find on page 760



Vacuum cups by size | Flat vacuum cups by \varnothing

\varnothing 21 - 22 mm

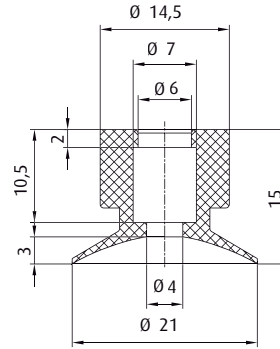


Item no.
102.021.063._*

Material
NR (sw)

1 mm

Additional sizes available are found on p. 22.

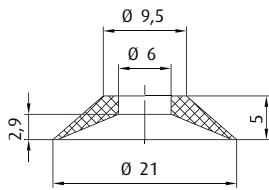


Item no.
102.021.399._*

Material
Vinyl (bl)

2.5 mm

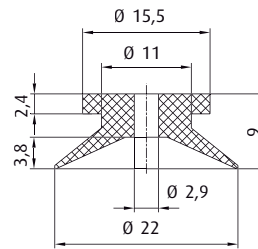
	Connection	see page
	M5-male	411
	G1/8-male	418
	G1/8-female	422
	Connection	see page
	8.5 mm	454
	8.5 mm	454



Item no.
107.021.049._*

Material
NR (bg)

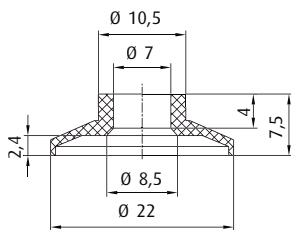
1.5 mm



Item no.
102.022.150._*

Material
Vinyl (bl)

2.5 mm



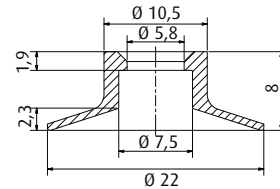
Item no.
102.022.185._*

Material
NR (gr)

0.5 mm

Additional sizes available are found on p. 22.

	Connection	see page
	M5-female	413
	G1/8-male	418
	G1/8-male	418



Item no.
102.022.526._*

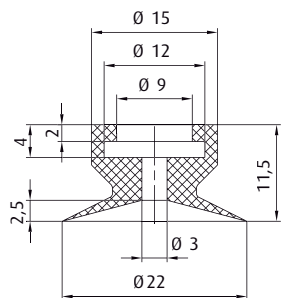
Material
NR (bl)

2 mm

Additional sizes available are found on p. 22.

	Connection	see page
	M5-male	411
	G1/8-male	418
	G1/8-female	422

* When ordering please add the appropriate material code to item no. You will find it in the foldout.
Average holding forces for Vacuum cups you will find on page 760

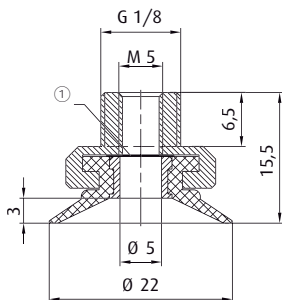


	Connection	see page
270.541	G1/8-male	421

Item no.
102.022.406.*

Material
SI (r)

2 mm



① = Filter screen

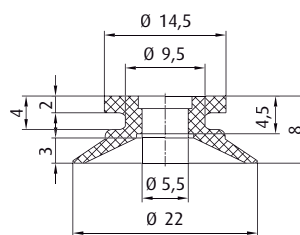
Item no.
120.020.006.*

Material
SI (tr), CR (sw)

2.5 mm

Additional sizes available are found on p. 47.

Spare cup



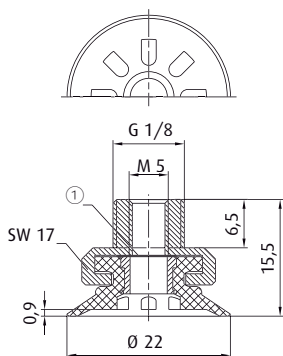
	Connection	see page
270.500-S	M5-female	413
270.250	G1/8-male	418
270.503-S	G1/8-male	418

Item no.
102.020.095.*

Material
SI (tr), CR (sw)

2.5 mm

Additional sizes available are found on p. 42.



① = Filter screen

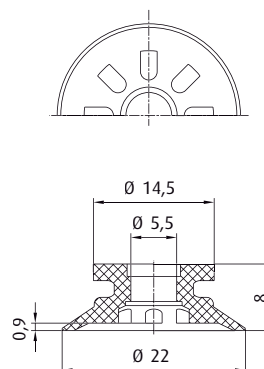
Item no.
123.020.003.*

Material
Tepuflex® (or), SI (tr), CR (sw)

1 mm

Additional sizes available are found on p. 47.

Spare cup



	Connection	see page
270.500-S	M5-female	413
270.250	G1/8-male	418
270.503-S	G1/8-male	418

BESTSELLER

Item no.
125.020.004.*

Material
Tepuflex® (or), SI (tr), CR (sw)

1 mm

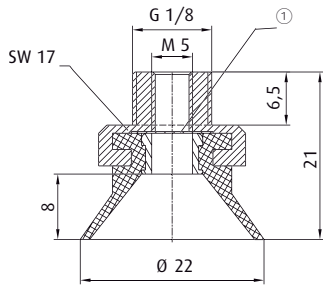
Additional sizes available are found on p. 42.

* When ordering please add the appropriate material code to item no. You will find it in the foldout.
Average holding forces for Vacuum cups you will find on page 760



Vacuum cups by size | Flat vacuum cups by Ø

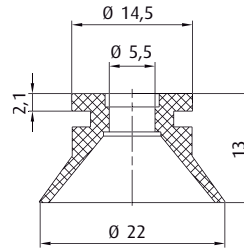
Ø 22 mm



① = Filter screen

Item no. 120.022.011.*	Material SI (tr), CR (sw)	2.5 mm
----------------------------------	-------------------------------------	--------

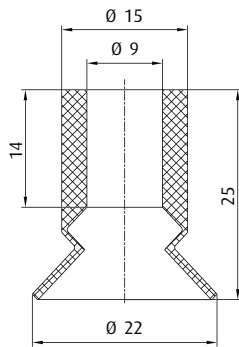
Spare cup



Item no. 122.022.022.*	Material SI (tr), CR (sw)	2.5 mm
----------------------------------	-------------------------------------	--------

	Connection	see page
270.500-S	M5-female	413
270.250	G1/8-male	418
270.503-S	G1/8-male	418

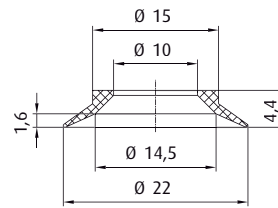
Additional sizes available are found on p. 42.



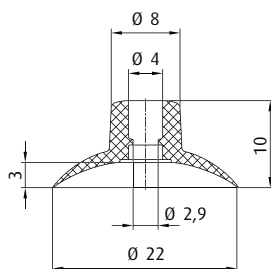
	Connection	see page
270.112	G1/8-male	419
270.114	G1/8-female	422
270.113	G1/4-male	425
270.178	G1/4-female	431

Item no. 102.022.043.*	Material NBR (sw), SI (tr), NR (sw)	5 mm
----------------------------------	---	------

Additional sizes available are found on p. 58.



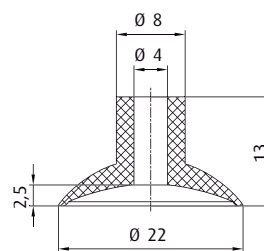
Item no. 107.022.016.*	Material NR (sw)	1 mm
----------------------------------	----------------------------	------



	Connection	see page
270.013	M5-male	410
270.005	M5-female	412
270.103	M6-male	413
270.003	G1/8-male	416
270.015	G1/8-female	421

Item no. 102.022.071.*	Material PU (bl)	3 mm
----------------------------------	----------------------------	------

This vacuum cup is also available in the following dimensions: 25 mm, 30 mm



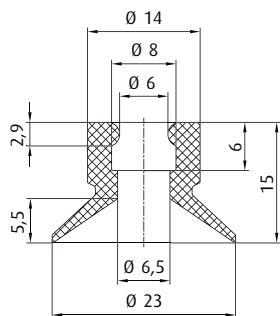
	Connection	see page
270.134	M5-male	409
270.347	M5-female	412
270.104	M6-male	413
270.033	G1/8-male	416
270.478	G1/8-female	421

	Connection	see page
50.037	25 mm	456

Item no. 112.022.037.*	Material NBR (sw), SI (w)	2.5 mm
----------------------------------	-------------------------------------	--------

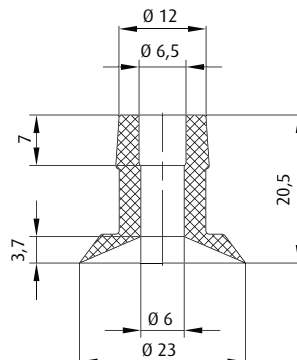
Additional sizes available are found on p. 52.

* When ordering please add the appropriate material code to item no. You will find it in the foldout.
Average holding forces for Vacuum cups you will find on page 760



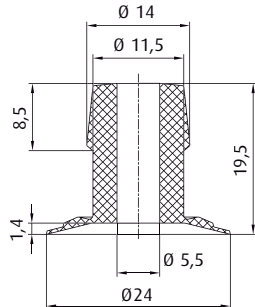
Item no.	Connection	see page
270.200	M5-male	411
270.064	G1/8-male	418
270.065	G1/8-female	422

Item no. 102.023.356.* **Material** Vinyl (bl) **Thickness** 3.8 mm



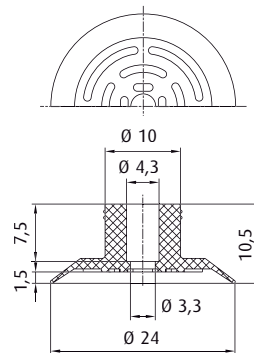
Item no.	Connection	see page
270.443	M5-male	410
270.238	G1/8-male	417
270.110	G1/8-female	422
270.534	G1/4-male	425
270.043	G1/4-male	425

Item no. 102.023.331.* **Material** Vinyl (tr) **Thickness** 2.5 mm



Item no.	Connection	see page
270.443	M5-male	410
270.238	G1/8-male	417
270.110	G1/8-female	422
270.534	G1/4-male	425

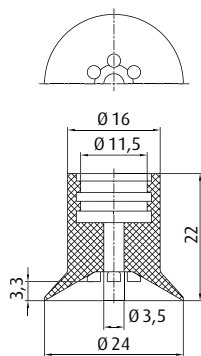
Item no. 102.023.149.* **Material** Vinyl (tr) **Thickness** 0.5 mm



Item no.	Connection	see page
270.134	M5-male	409
270.104	M6-male	413
270.033	G1/8-male	416
270.478	G1/8-female	421

Item no. 102.024.457.* **Material** SI (tr), NR (bg) **Thickness** 1.8 mm

Additional sizes available are found on p. 20.
This vacuum cup is also available in the following dimensions: 15 mm, 28 mm, 30 mm, 40 mm



Item no.	Connection	see page
270.097	G1/4-male	426
270.098	G1/4-female	432

Item no. 104.024.006.* **Material** NBR (sw) **Thickness** 1 mm

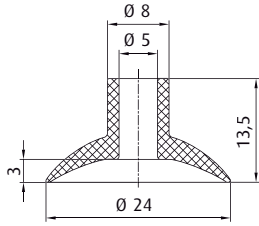
This vacuum cup is also available in the following dimensions: 10 mm, 15 mm, 18 mm, 30 mm, 40 mm, 50 mm

* When ordering please add the appropriate material code to item no. You will find it in the foldout.
Average holding forces for Vacuum cups you will find on page 760



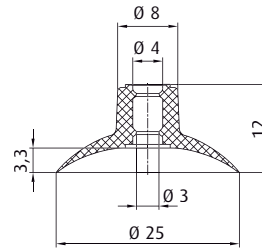
Vacuum cups by size | Flat vacuum cups by Ø

Ø 24 - 25 mm



Icon	Connection	see page
	M5-male	409
	M5-female	412
	M6-male	413
	G1/8-male	416
	G1/8-female	421

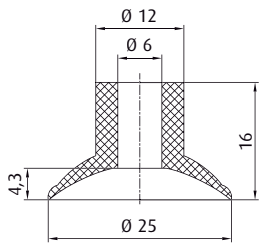
Item no. 102.024.123.* **Material** NR (sw), NR (bg) 4 mm



Icon	Connection	see page
	M5-male	409
	M5-female	412
	M6-male	413
	G1/8-male	416
	G1/8-female	421

Item no. 102.025.085.* **Material** PU (r) 4 mm

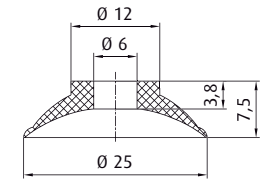
This vacuum cup is also available in the following dimensions: 22 mm, 30 mm



Icon	Connection	see page
	M5-male	410
	G1/8-male	417
	G1/8-female	422
	G1/4-male	425

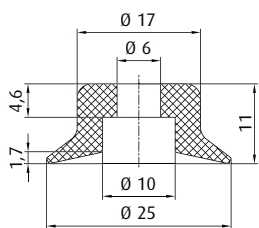
Item no. 112.025.042.* **Material** NBR (sw), SI (w), NR (sw) 4.5 mm

Additional sizes available are found on p. 52.



Icon	Connection	see page
	M6-male	414

Item no. 112.025.043.* **Material** NBR (sw), SI (w), NR (sw) 2.5 mm

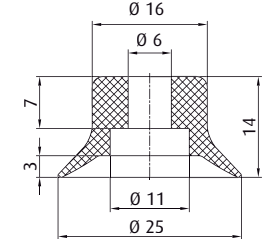


Icon	Connection	see page
	M5-male	411
	M6-male	414
	G1/8-male	420
	G1/8-female	423

Icon	see page
	454
	454
	454
	454
	456
	456
	456
	456

Item no. 102.025.287.* **Material** NBR (sw), SI (tr), PU (bl), FKM (gr) 2 mm

Additional sizes available are found on p. 38.




Icon	Connection	see page
	M6-male	414
	G1/8-male	419
	G1/8-female	423
	G1/4-male	427
	G1/4-female	432

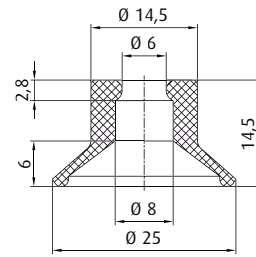
Item no. 102.025.047.* **Material** NBR (sw), SI (tr), PU (bl) 2.5 mm

Additional sizes available are found on p. 32.

* When ordering please add the appropriate material code to item no. You will find it in the foldout.
Average holding forces for Vacuum cups you will find on page 760



	Connection	see page
270.200	M5-male	411
270.064	G1/8-male	418
270.065	G1/8-female	422




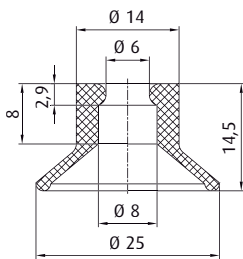
Item no.
102.025.102._*

Material
NR (g), NR (sw)

 4 mm

Additional sizes available are found on p. 24.


	Connection	see page
270.200	M5-male	411
270.064	G1/8-male	418
270.065	G1/8-female	422

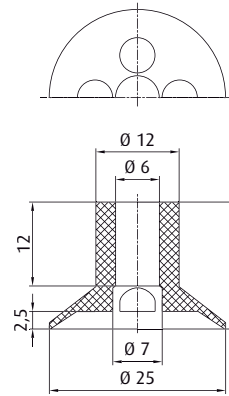


Item no.
126.025.010._*

Material
FKM (sw)


 5 mm


	Connection	see page
270.443	M5-male	410
270.238	G1/8-male	417
270.110	G1/8-female	422
270.534	G1/4-male	425

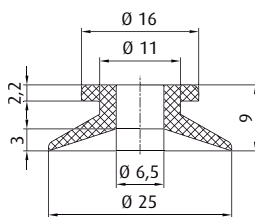


Item no.
102.025.113._*

Material
NBR (sw), SI (tr)


 3.5 mm

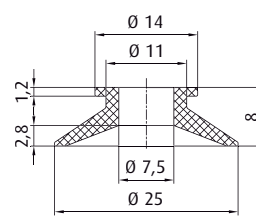
	Connection	see page
270.500-S	M5-female	413
270.250	G1/8-male	418
270.503-S	G1/8-male	418



Item no.
102.025.103._*


Material
NR (sw)

 2.5 mm



Item no.
102.025.119._*

Material
NR (bg)

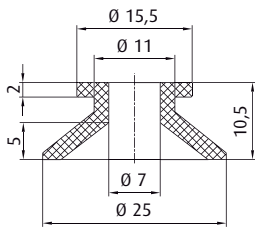
 1.5 mm

* When ordering please add the appropriate material code to item no. You will find it in the foldout.
Average holding forces for Vacuum cups you will find on page 760



Vacuum cups by size | Flat vacuum cups by \varnothing

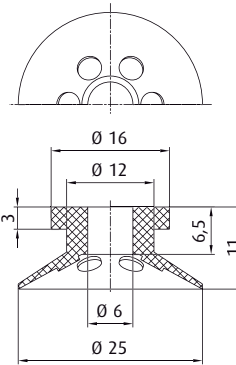
\varnothing 25 mm



Item no.
102.026.128.*

Material
NR (bg)

2.5 mm

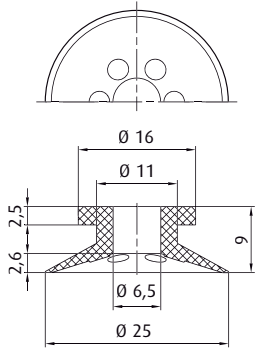


Item no.
104.025.027.*

Material
NR (bg)

3.5 mm

	Connection	see page
270.200	M5-male	411
270.238	G1/8-male	417
270.110	G1/8-female	422
270.534	G1/4-male	425

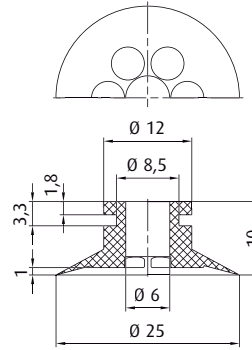


Item no.
104.025.031.*

Material
NR (bg), PU (sw)

1 mm

	Connection	see page
270.500-S	M5-female	413
270.250	G1/8-male	418
270.503-S	G1/8-male	418

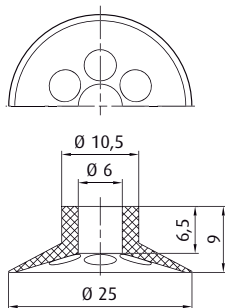


Item no.
102.025.225.*

Material
NR (br)

1.5 mm

	Connection	see page
270.443	M5-male	410
270.238	G1/8-male	417
270.110	G1/8-female	422
270.534	G1/4-male	425

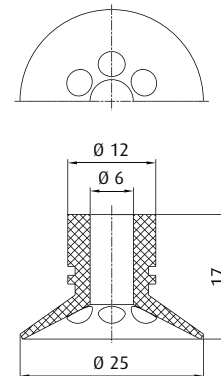


Item no.
104.025.030.*

Material
NR (bg)

1 mm

	Connection	see page
270.200	M5-male	411
270.238	G1/8-male	417
270.110	G1/8-female	422
270.534	G1/4-male	425



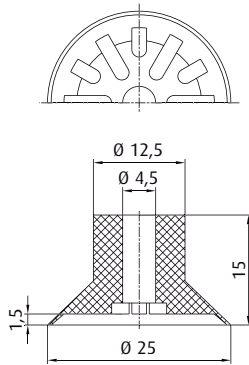
Item no.
104.025.040.*

Material
Vinyl (bl)

2.5 mm

	Connection	see page
270.443	M5-male	410
270.238	G1/8-male	417
270.110	G1/8-female	422
270.534	G1/4-male	425

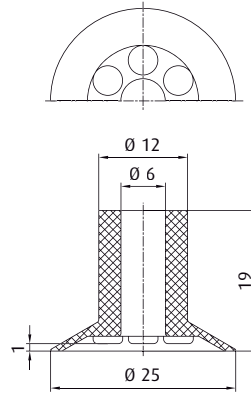
* When ordering please add the appropriate material code to item no. You will find it in the foldout.
Average holding forces for Vacuum cups you will find on page 760



	Connection	see page
270.013	M5-male	410
270.005	M5-female	412
270.103	M6-male	413
270.003	G1/8-male	416
270.015	G1/8-female	421
270.194	G1/4-male	425

Item no. 104.025.043.* **Material** Vinyl (bl) 1.5 mm

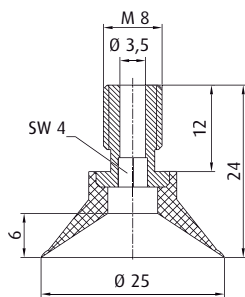
Additional sizes available are found on p. 20.



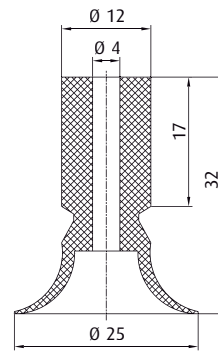
	Connection	see page
270.443	M5-male	410
270.238	G1/8-male	417
270.110	G1/8-female	422
270.534	G1/4-male	425

Item no. 104.025.094.* **Material** NR (br) 1 mm

Additional sizes available are found on p. 20.

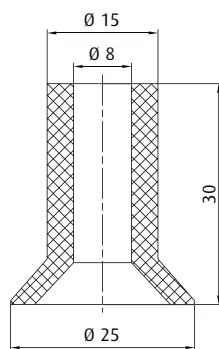


Item no. 120.025.086.* **Material** SI (w), NR (sw) 3.5 mm



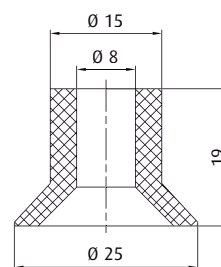
	Connection	see page
270.134	M5-male	409
270.347	M5-female	412
270.104	M6-male	413
270.033	G1/8-male	416
270.478	G1/8-female	421

Item no. 126.025.009.* **Material** NR (bg) --



	Connection	see page
270.132	G1/8-male	417
270.114	G1/8-female	422
270.043	G1/4-male	425
270.178	G1/4-female	431

Item no. 107.025.019.* **Material** NR (br) 2 mm



	Connection	see page
270.114	G1/8-female	422
270.043	G1/4-male	425
270.178	G1/4-female	431

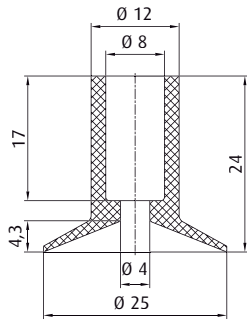
Item no. 107.025.020.* **Material** NR (br) 1 mm

* When ordering please add the appropriate material code to item no. You will find it in the foldout. Average holding forces for Vacuum cups you will find on page 760



Vacuum cups by size | Flat vacuum cups by \varnothing

\varnothing 25 mm

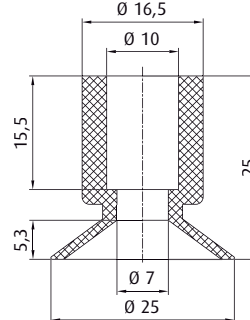


	Connection	see page
270.132	G1/8-male	417
270.114	G1/8-female	422
270.043	G1/4-male	425
270.178	G1/4-female	431

Item no.
102.025.417.*

Material
SI (r)

3 mm

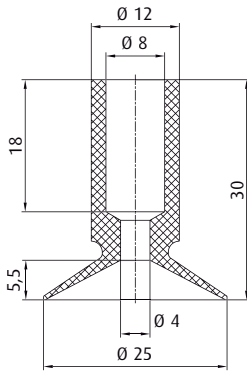


	Connection	see page
270.244	M5-male	410
270.177	M10-male	416
270.451	G1/4-male	426
270.452	G1/4-female	431

Item no.
102.025.126.*

Material
NR (bg)

4 mm



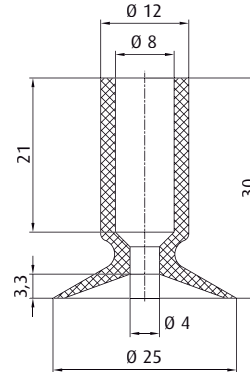
	Connection	see page
270.132	G1/8-male	417
270.114	G1/8-female	422
270.043	G1/4-male	425
270.178	G1/4-female	431

Item no.
122.025.025.*

Material
NBR (sw), SI (tr), NR (sw)

5 mm

Additional sizes available are found on p. 56.

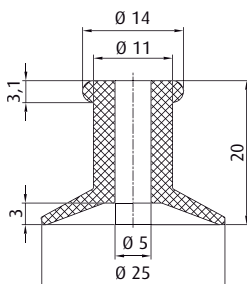


	Connection	see page
270.132	G1/8-male	417
270.114	G1/8-female	422
270.043	G1/4-male	425
270.178	G1/4-female	431

Item no.
122.025.077.*

Material
Vulkollan® (br)

4 mm



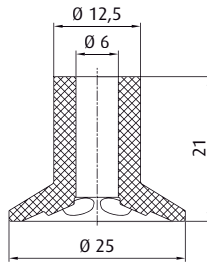
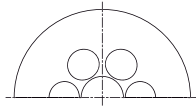
	Connection	see page
270.013	M5-male	410
270.103	M6-male	413
270.003	G1/8-male	416
270.015	G1/8-female	421
270.194	G1/4-male	425

Item no.
102.027.124.*

Material
NR (bg)

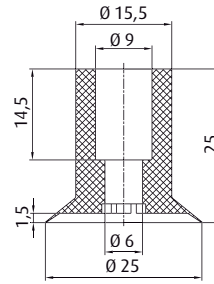
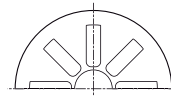
4 mm

* When ordering please add the appropriate material code to item no. You will find it in the foldout.
Average holding forces for Vacuum cups you will find on page 760



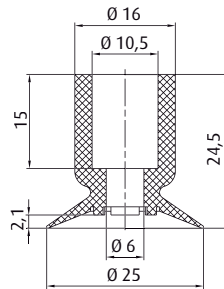
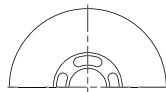
	Connection	see page
270.443	M5-male	410
270.238	G1/8-male	417
270.110	G1/8-female	422
270.534	G1/4-male	425

Item no. 104.026.033.* **Material** NR (bg) 2 mm



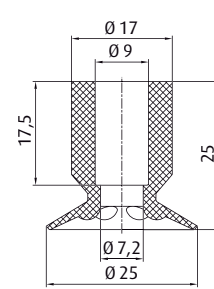
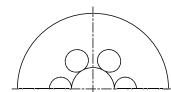
	Connection	see page
270.132	G1/8-male	417
270.114	G1/8-female	422
270.208	G1/4-male	425
270.178	G1/4-female	431

Item no. 102.025.373.* **Material** Vinyl (bl) 1.5 mm



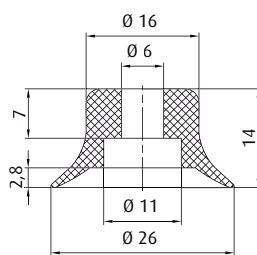
	Connection	see page
270.244	M5-male	410
270.177	M10-male	416
270.451	G1/4-male	426
270.452	G1/4-female	431

Item no. 104.025.037.* **Material** NR (bg) 2 mm



	Connection	see page
270.244	M5-male	410
270.177	M10-male	416
270.451	G1/4-male	426
270.452	G1/4-female	431

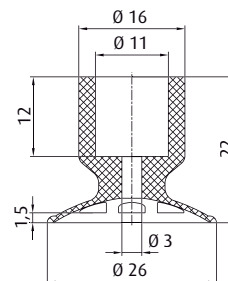
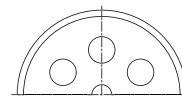
Item no. 104.025.056.* **Material** Vinyl (bl) 2.5 mm



	Connection	see page
270.312/19	M6-male	414
270.030	G1/8-male	419
270.019	G1/8-female	423
270.274	G1/4-male	427
270.275	G1/4-female	432

Item no. 102.025.501.* **Material** Thermalon® (bl) 3 mm

Additional sizes available are found on p. 36.



	Connection	see page
270.177	M10-male	416
270.451	G1/4-male	426
270.452	G1/4-female	431

WEAR-RESISTANT

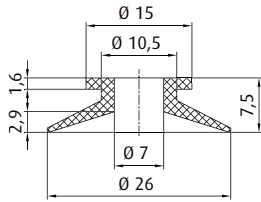
Item no. 102.025.192.* **Material** Vulkollan® (br) 3 mm

* When ordering please add the appropriate material code to item no. You will find it in the foldout. Average holding forces for Vacuum cups you will find on page 760



Vacuum cups by size | Flat vacuum cups by Ø

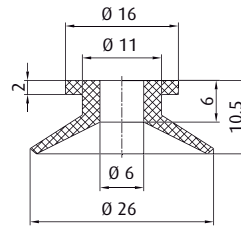
Ø 26 - 27 mm



Item no.
102.026.121.*

Material
NR (bg)

3 mm

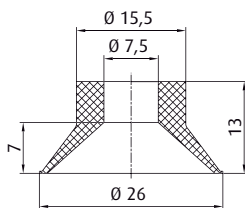


Item no.
102.026.180.*

Material
Vinyl (bl)

4 mm

	Connection	see page
270.200	M5-male	411
270.238	G1/8-male	417
270.110	G1/8-female	422
270.534	G1/4-male	425

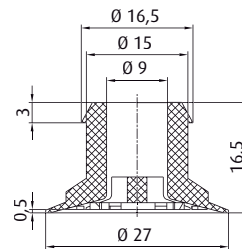
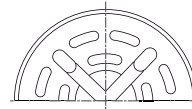


Item no.
102.027.167.*

Material
Vinyl (bl)

5 mm

	Connection	see page
270.043	G1/4-male	425
270.038	G1/4-female	432



Item no.
102.027.298.*

Material
SI (tr)

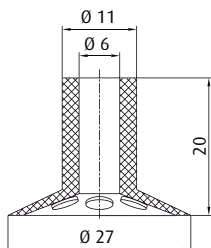
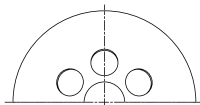
0.5 mm

	Connection	see page
270.451	G1/4-male	426
270.452	G1/4-female	431

Additional sizes available are found on p. 20.

Notes: Especially well-suited for foils

This vacuum cup is also available in the following dimensions: 36 mm

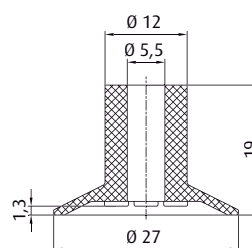
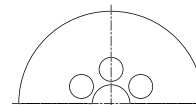


Item no.
104.027.032.*

Material
NR (bg)

2 mm

	Connection	see page
270.443	M5-male	410
270.238	G1/8-male	417
270.110	G1/8-female	422
270.534	G1/4-male	425



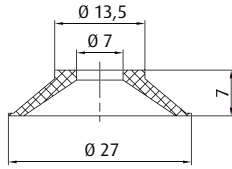
Item no.
104.027.055.*

Material
Vinyl (bl)

2.5 mm

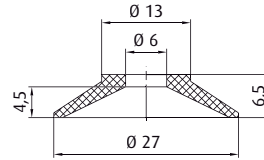
	Connection	see page
270.443	M5-male	410
270.238	G1/8-male	417
270.110	G1/8-female	422
270.534	G1/4-male	425

* When ordering please add the appropriate material code to item no. You will find it in the foldout.
Average holding forces for Vacuum cups you will find on page 760



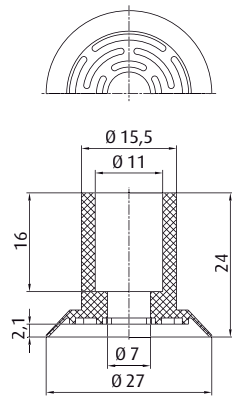
	Connection	see page
270.105	M6-male	414
270.040	M8-male	415
270.077	G1/8-male	419

Item no. 107.027.022._* **Material** NBR (sw), SI (tr) 4 mm



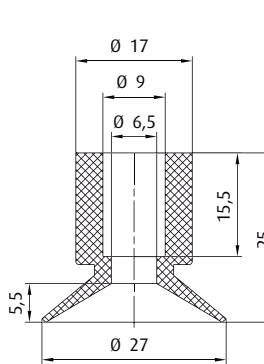
	Connection	see page
270.105	M6-male	414
270.040	M8-male	415
270.077	G1/8-male	419

Item no. 107.027.052._* **Material** NR (gr) 3 mm



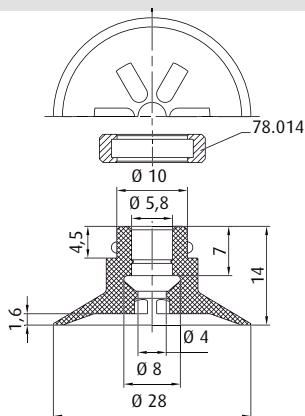
	Connection	see page
270.177	M10-male	416
270.451	G1/4-male	426
270.452	G1/4-female	431

Item no. 104.027.062._* **Material** NR (sw) 2 mm



	Connection	see page
270.244	M5-male	410
270.177	M10-male	416
270.451	G1/4-male	426
270.452	G1/4-female	431

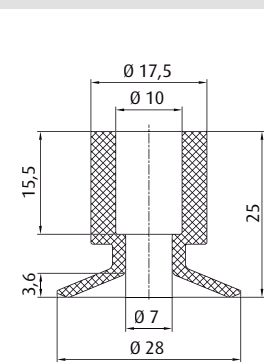
Item no. 102.028.164._* **Material** Vinyl (bl) 5 mm



	Connection	see page
270.244	M5-male	410
270.177	M10-male	416
270.451	G1/4-male	426
270.452	G1/4-female	431

Item no. 102.028.461._* **Material** SI (tr) 2 mm

Ordering notes: The retaining ring Item. No. 78.014 (stainless steel) must be ordered separately



	Connection	see page
270.244	M5-male	410
270.177	M10-male	416
270.451	G1/4-male	426
270.452	G1/4-female	431

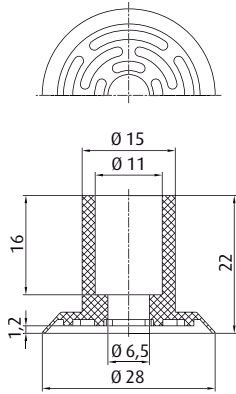
Item no. 102.028.163._* **Material** Vinyl (bl) 4 mm

* When ordering please add the appropriate material code to item no. You will find it in the foldout. Average holding forces for Vacuum cups you will find on page 760



Vacuum cups by size | Flat vacuum cups by Ø

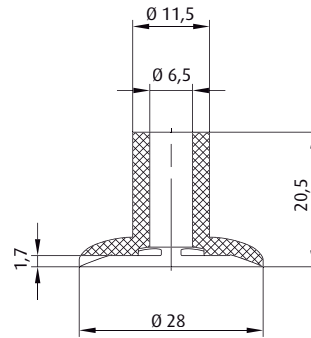
Ø 28 mm



Icon	Connection	see page
	270.451 G1/4-male	426
	270.452 G1/4-female	431

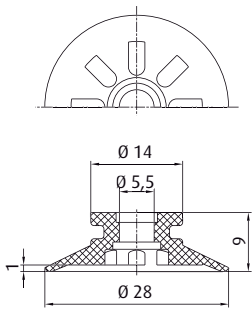
Item no. 104.029.093.* **Material** NR (sw) 1 mm

Additional sizes available are found on p. 21.
This vacuum cup is also available in the following dimensions: 15 mm, 24 mm, 30 mm, 40 mm



Icon	Connection	see page
	270.112 G1/8-male	419
	270.114 G1/8-female	422
	270.113 G1/4-male	425
	270.178 G1/4-female	431

Item no. 102.027.246.* **Material** NR (br) 2 mm

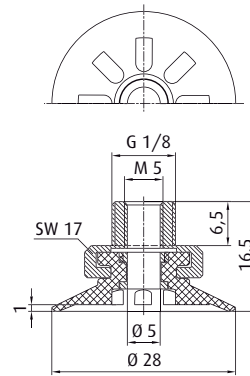


Icon	Connection	see page
	270.500-S M5-female	413
	270.250 G1/8-male	418
	270.503-S G1/8-male	418

Item no. 125.025.007.* **Material** Tepuflex® (or), SI (tr), CR (sw) 1 mm

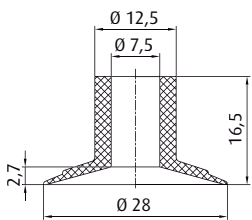
Additional sizes available are found on p. 42.

Spare cup



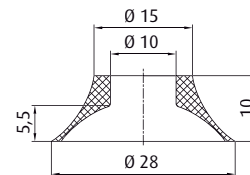
Item no. 123.025.010.* **Material** Tepuflex® (or), SI (tr), CR (sw) 1 mm

Additional sizes available are found on p. 47.



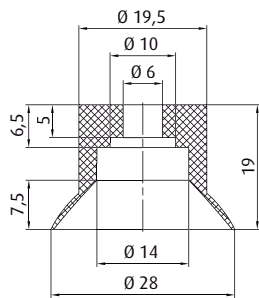
Icon	Connection	see page
	270.112 G1/8-male	419
	270.114 G1/8-female	422
	270.113 G1/4-male	425
	270.178 G1/4-female	431

Item no. 102.028.175.* **Material** Vinyl (bl) 2 mm



Item no. 102.028.375.* **Material** SI (tr) 2 mm

* When ordering please add the appropriate material code to item no. You will find it in the foldout.
Average holding forces for Vacuum cups you will find on page 760

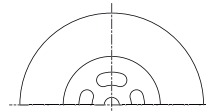


Item no.	Connection	see page
270.459	M6-male	414
270.480	G1/8-male	420
270.479	G1/8-female	423

Item no.
102.028.159._*

Material
Vinyl (bl)

4 mm



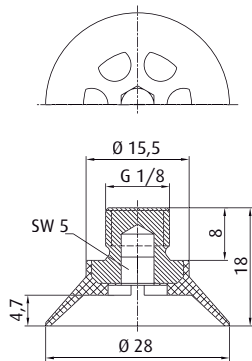
Item no.	Connection	see page
270.251	G1/8-female	423
270.501-S	G1/8-female	424
270.506-S	G1/4-male	428
270.505-S	G3/8-male	434

Item no.
102.028.194._*

Material
NBR (sw)

3 mm

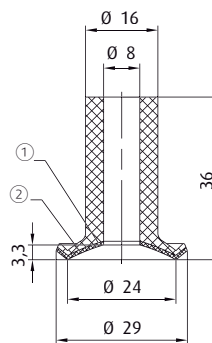
This vacuum cup is also available in the following dimensions: 20 mm



Item no.
103.030.024._*

Material
NBR (gr), NR (br)

4.5 mm



Item no.	Connection	see page
270.132	G1/8-male	417
270.114	G1/8-female	422
270.208	G1/4-male	425
270.178	G1/4-female	431

NON-MARKING!
TEMP. MAX. 500 °C

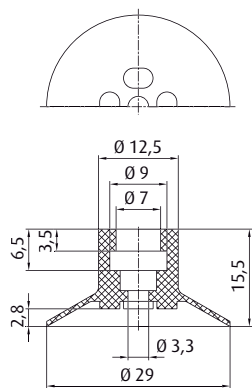
① = Felt pads ② = For silicone vacuum cups with silicone membranes: evaporated aluminium layer

Item no.
26.025.009._*

Material
SI (tr/ge)

2 mm

Additional sizes available are found on p. 164.

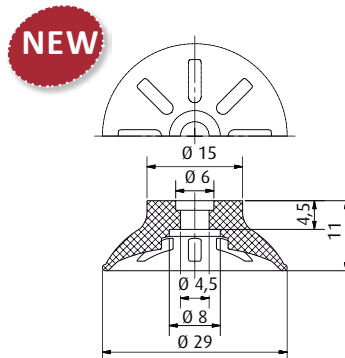


Item no.	Connection	see page
270.030	G1/8-male	419
270.019	G1/8-female	423

Item no.
104.029.053._*

Material
Vinyl (bl)

4 mm



Item no.	Connection	see page
270.063	G1/8-male	419

Item no.
102.029.509._*

Material
NR (br)

4 mm

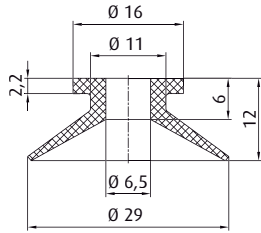
Additional sizes available are found on p. 20.

* When ordering please add the appropriate material code to item no. You will find it in the foldout.
Average holding forces for Vacuum cups you will find on page 760



Vacuum cups by size | Flat vacuum cups by Ø

Ø 29 - 30 mm

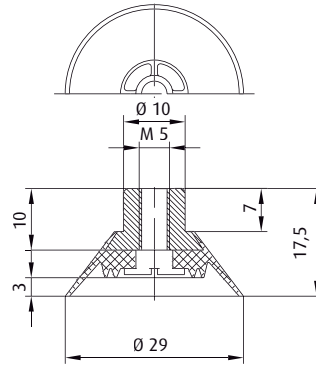


	Connection	see page
270.200	M5-male	411
270.238	G1/8-male	417
270.110	G1/8-female	422
270.534	G1/4-male	425

Item no.
102.029.160._*

Material
Vinyl (bl)

4.5 mm

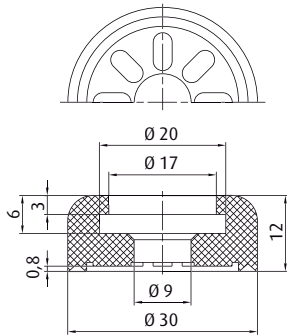


Item no.
150.030.031._*

Material
SI (r), CR (sw)

3 mm

Additional sizes available are found on p. 68.



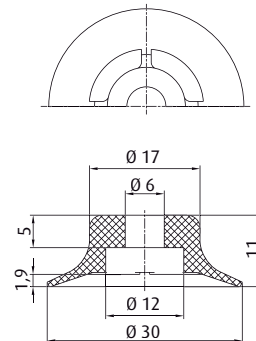
	Connection	see page
270.234	G1/8-female	438

Item no.
102.030.459._*

Material
HNBR (ge), NR (br)

0.8 mm

Additional sizes available are found on p. 70.



	Connection	see page
270.460	M6-male	414
270.482	G1/8-male	420
270.481	G1/8-female	423
270.483	G1/4-male	429
270.484	G1/4-female	433

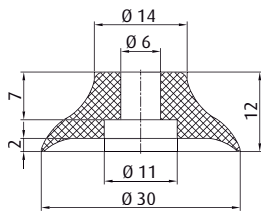
		see page
50.085	6 mm	454
50.128	10 mm	454
50.129	15 mm	454
50.130	20 mm	454
50.095	20 mm	456
50.096	30 mm	456
50.097	40 mm	456
50.098	50 mm	456

Item no.
102.030.288._*

Material
NBR (sw), SI (tr), PU (bl), FKM (gr)

2 mm

Additional sizes available are found on p. 38.



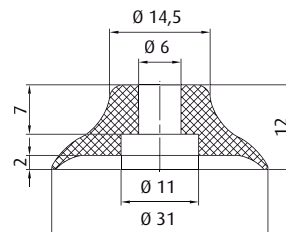
	Connection	see page
270.312/19	M6-male	414
270.030	G1/8-male	419
270.019	G1/8-female	423
270.274	G1/4-male	427
270.275	G1/4-female	432

Item no.
102.030.053._*

Material
NBR (sw), SI (tr), PU (bl)

2 mm

Additional sizes available are found on p. 32.



	Connection	see page
270.312/19	M6-male	414
270.030	G1/8-male	419
270.019	G1/8-female	423
270.274	G1/4-male	427
270.275	G1/4-female	432

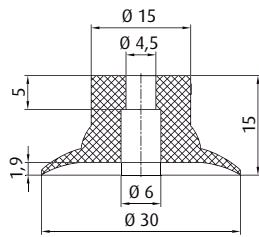
Item no.
102.030.502._*

Material
Thermalon® (bl)

2 mm

Additional sizes available are found on p. 36.

* When ordering please add the appropriate material code to item no. You will find it in the foldout.
Average holding forces for Vacuum cups you will find on page 760



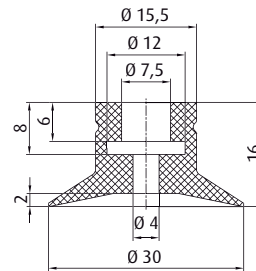
Item no.	Connection	see page
270.317	M5-male	410
270.103	M6-male	413
270.205	G1/8-male	416
270.109	G1/8-female	421
270.194	G1/4-male	425

Item no.	see page
50.020	8.5 mm

BESTSELLER

Item no. 102.030.222.* **Material** NBR (sw), SI (tr) **see page** 2 mm

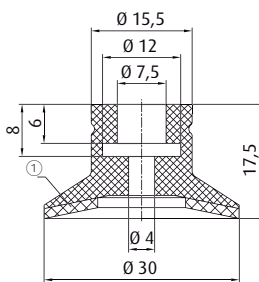
Additional sizes available are found on p. 50.



Item no.	Connection	see page
270.012	G1/8-male	421
270.020	G1/8-female	423
270.034	G1/4-male	428
270.038	G1/4-female	432

Item no.	see page
50.005	5 mm
50.145	10 mm
50.146	30 mm

Item no. 126.030.013.* **Material** SI (bl), SI (r) **see page** 1.5 mm



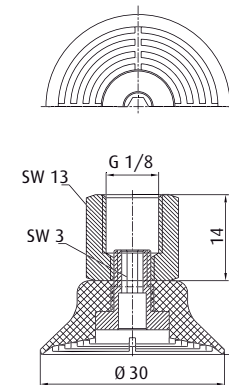
Item no.	Connection	see page
270.012	G1/8-male	421
270.020	G1/8-female	423
270.034	G1/4-male	428
270.038	G1/4-female	432

Item no.	see page
50.005	5 mm
50.145	10 mm
50.146	30 mm

① = Silicone sponge

Item no. 104.030.087.* **Material** SI (bl/r) **see page** 1.5 mm

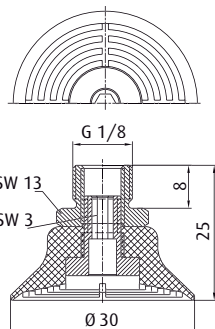
Additional sizes available are found on p. 166.



NON-SLIP

Item no. 100.030.102.* **Material** NBR (sw) **see page** 1.8 mm

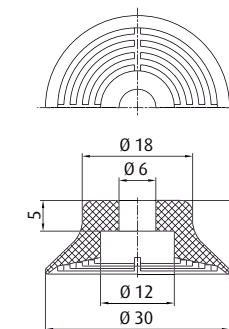
Additional sizes available are found on p. 62.



NON-SLIP

Item no. 100.030.112.* **Material** NBR (sw) **see page** 1.8 mm

Additional sizes available are found on p. 62.



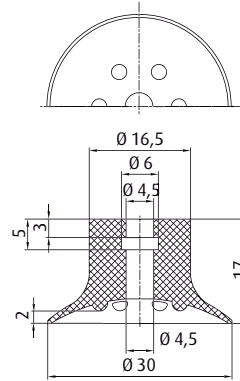
Item no. 104.030.067.* **Material** NBR (sw) **see page** 1.8 mm

* When ordering please add the appropriate material code to item no. You will find it in the foldout. Average holding forces for Vacuum cups you will find on page 760



Vacuum cups by size | Flat vacuum cups by \varnothing

\varnothing 30 mm

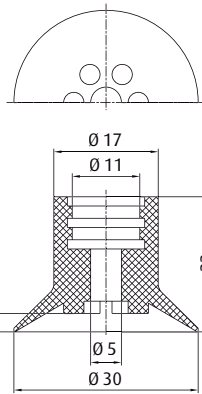


	Connection	see page
	M5-male	411
	G1/8-male	418
	G1/8-female	422

Item no.
102.030.322._*

Material
Vulkollan® (br)

2 mm



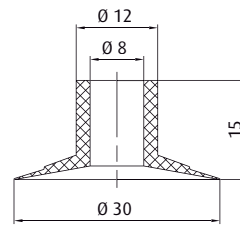
	Connection	see page
	G1/4-male	426
	G1/4-female	432

Item no.
104.030.008._*

Material
NBR (sw), SI (bl)

3 mm

This vacuum cup is also available in the following dimensions: 10 mm, 15 mm, 18 mm, 24 mm, 40 mm, 50 mm

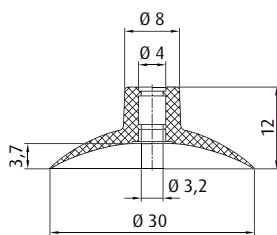


	Connection	see page
	G1/8-male	419
	G1/4-male	425
	G1/4-male	425
	G1/4-female	431

Item no.
107.030.023._*

Material
NBR (sw), NR (bg)

1 mm



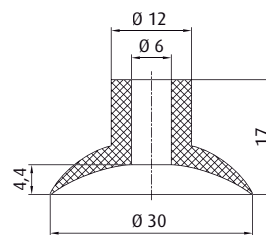
	Connection	see page
	M5-male	409
	M5-female	412
	M6-male	413
	G1/8-male	416
	G1/8-female	421

Item no.
102.030.086._*

Material
PU (g)

4.5 mm

This vacuum cup is also available in the following dimensions: 22 mm, 25 mm



	Connection	see page
	M5-male	410
	G1/8-male	417
	G1/8-female	422
	G1/4-male	425

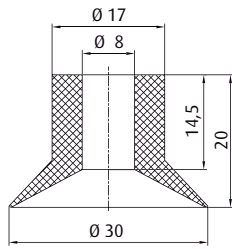
Item no.
112.030.052._*

Material
NBR (sw), SI (w)

4.5 mm

Additional sizes available are found on p. 52.

* When ordering please add the appropriate material code to item no. You will find it in the foldout.
Average holding forces for Vacuum cups you will find on page 760

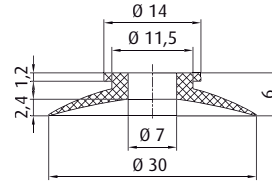


	Connection	see page
	G1/8-male	417
	G1/8-female	422
	G1/4-male	425
	G1/4-female	431

Item no.
115.030.005.*

Material
NBR (sw), SI (tr), NR (sw),
NR (bg)

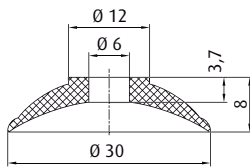
3 mm



Item no.
102.030.178.*

Material
Vinyl (bl)

3 mm

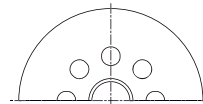


	Connection	see page
	M8-male	415

Item no.
112.030.051.*

Material
NBR (sw), SI (w)

4 mm



	Connection	see page
	M6-male	414
	G1/8-male	419
	G1/8-female	423
	G1/4-male	427
	G1/4-female	432

Item no.
104.030.059.*

Material
Vinyl (bl)

3 mm



	Connection	see page
	G1/4-male	426
	G1/4-female	431

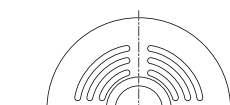
Item no.
104.030.009.*

Material
NBR (sw), SI (w), SI (tr), NR (sw)

3 mm

BESTSELLER

Additional sizes available are found on p. 21.
This vacuum cup is also available in the following dimensions: 15 mm, 24 mm, 28 mm, 40 mm



	Connection	see page
	G1/4-male	426
	G1/4-female	431

Item no.
104.030.007.*

Material
SI (tr), NR (sw)

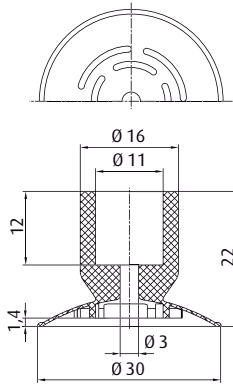
3 mm

* When ordering please add the appropriate material code to item no. You will find it in the foldout.
Average holding forces for Vacuum cups you will find on page 760



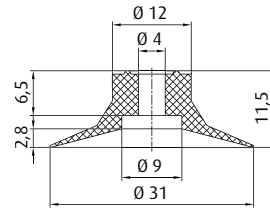
Vacuum cups by size | Flat vacuum cups by \varnothing

\varnothing 30 - 31 mm



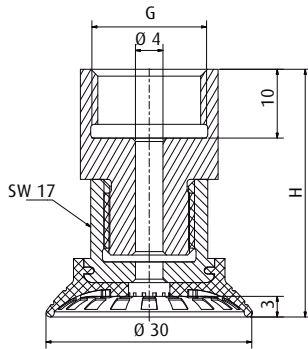
	Connection	see page
270.177	M10-male	416
270.451	G1/4-male	426
270.452	G1/4-female	431

Item no. 102.030.215.*	Material Vulkollan® (br)	2 mm
----------------------------------	------------------------------------	------



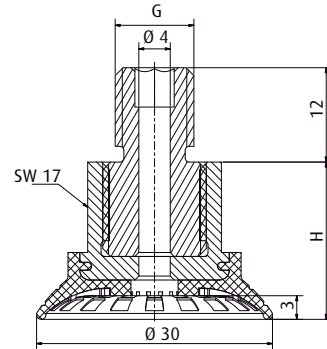
	Connection	see page
270.459	M6-male	414
270.480	G1/8-male	420
270.479	G1/8-female	423

Item no. 102.031.313.*	Material SI (tr)	3 mm
----------------------------------	----------------------------	------



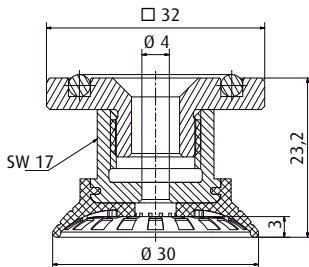
Item no.	Material	[mm]	Connection thread	H [mm]
103.030.031.*	NBR (bl)	3	G1/4-female	20
103.030.032.*	NBR (bl)	3	G3/8-female	36

Additional sizes available are found on p. 64.



Item no.	Material	[mm]	Connection thread	H [mm]
103.030.030.*	NBR (bl)	3	G1/4-male	20
103.030.033.*	NBR (bl)	3	M10-male	20
103.030.034.*	NBR (bl)	3	M14x1.5-male	20

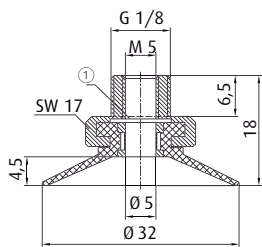
Additional sizes available are found on p. 64.



Item no. 103.030.035.*	Material NBR (bl)	3 mm
----------------------------------	-----------------------------	------

Additional sizes available are found on p. 64.

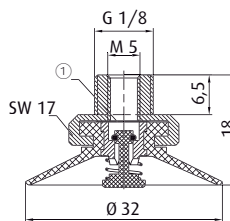
* When ordering please add the appropriate material code to item no. You will find it in the foldout.
Average holding forces for Vacuum cups you will find on page 760



① = Filter screen

Item no. 120.030.013.* **Material** SI (tr), CR (sw) 3.5 mm

Additional sizes available are found on p. 47.



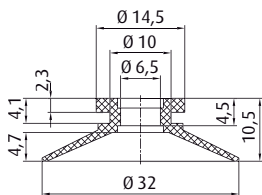
① = Filter screen

Item no. 121.030.006.* **Material** SI (tr), CR (sw) 2.5 mm

Additional sizes available are found on p. 47.

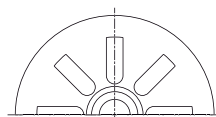


	Connection	see page
270.500-S	M5-female	413
270.250	G1/8-male	418
270.503-S	G1/8-male	418



Item no. 102.030.096.* **Material** SI (tr), CR (sw) 3.5 mm

Additional sizes available are found on p. 42.



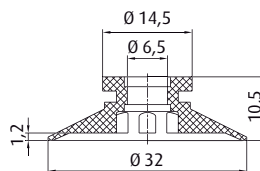
① = Filter screen

Item no. 123.030.019.* **Material** Tepuflex® (or), SI (tr), CR (sw) 2 mm

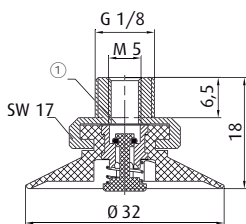
Additional sizes available are found on p. 47.



	Connection	see page
270.500-S	M5-female	413
270.250	G1/8-male	418
270.503-S	G1/8-male	418



BESTSELLER



① = Filter screen

Item no. 124.030.002.* **Material** SI (tr), CR (sw) 2 mm

Additional sizes available are found on p. 47.

Item no. 125.030.010.* **Material** Tepuflex® (or), SI (tr), CR (sw) 2 mm

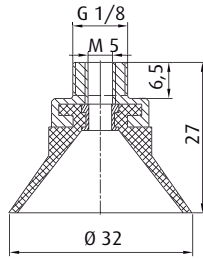
Additional sizes available are found on p. 42.

* When ordering please add the appropriate material code to item no. You will find it in the foldout. Average holding forces for Vacuum cups you will find on page 760



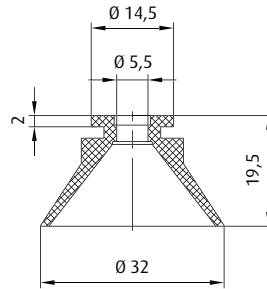
Vacuum cups by size | Flat vacuum cups by Ø

Ø 32 - 33 mm



Item no. 120.032.025.* **Material** SI (tr), CR (sw) 5 mm

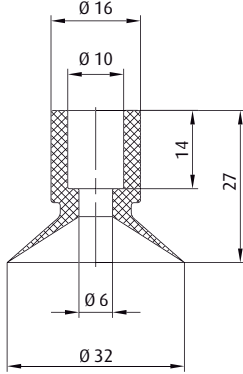
Spare cup



Item no. 122.032.036.* **Material** SI (tr), CR (sw) 5 mm

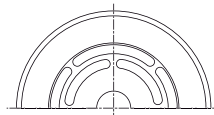
	Connection	see page
	M5-female	413
	G1/8-male	418
	G1/8-female	418

Additional sizes available are found on p. 42.



Item no. 122.030.034.* **Material** SI (tr), NR (sw) 6.5 mm

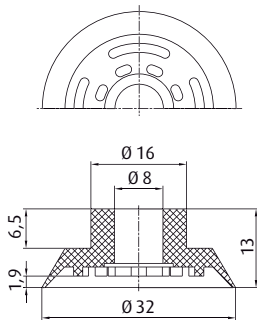
	Connection	see page
	M10-male	416
	G1/4-male	426
	G1/4-female	431



Item no. 102.032.104.* **Material** NR (bg) 1.8 mm

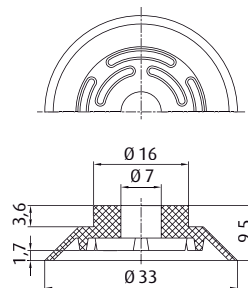
	Connection	see page
	G1/8-male	419
	G1/8-female	422

Additional sizes available are found on p. 21.



Item no. 108.032.002.* **Material** SI (tr), NR (bg) 2 mm

	Connection	see page
	G1/4-male	426
	G1/4-female	431

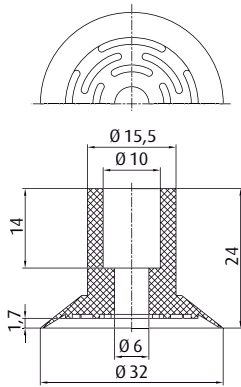


Item no. 102.033.398.* **Material** Vinyl (bl) 2 mm

	Connection	see page
	M6-male	414

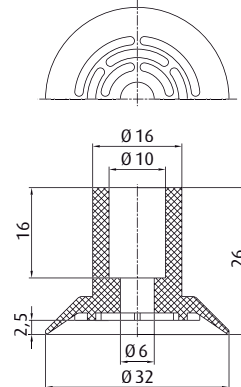
Additional sizes available are found on p. 21.

* When ordering please add the appropriate material code to item no. You will find it in the foldout.
Average holding forces for Vacuum cups you will find on page 760



	Connection	see page
270.244	M5-male	410
270.177	M10-male	416
270.451	G1/4-male	426
270.452	G1/4-female	431

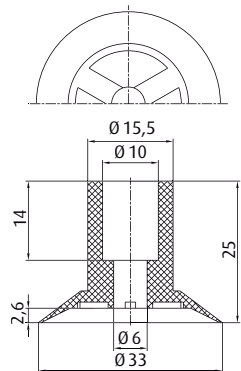
Item no. 104.032.044.* **Material** Vinyl (bl) 2 mm



	Connection	see page
270.244	M5-male	410
270.177	M10-male	416
270.451	G1/4-male	426
270.452	G1/4-female	431

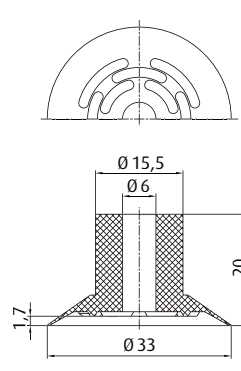
Item no. 104.033.034.* **Material** NR (bg), CR (r) 2.5 mm

Notes: Especially well-suited for flexible products (foils, leather, veneer)



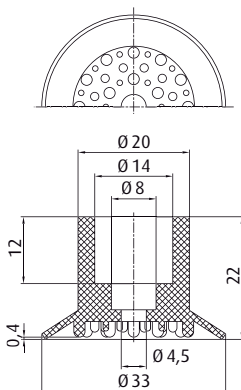
	Connection	see page
270.244	M5-male	410
270.177	M10-male	416
270.451	G1/4-male	426
270.452	G1/4-female	431

Item no. 102.033.226.* **Material** Vinyl (bl) 3 mm



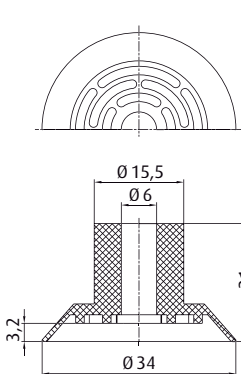
	Connection	see page
270.443	M5-male	410
270.238	G1/8-male	417
270.110	G1/8-female	422
270.534	G1/4-male	425

Item no. 104.033.057.* **Material** Vinyl (bl) 1.5 mm



Item no. 102.033.112.* **Material** NBR (sw), SI (tr) 0.5 mm

Notes: Especially well-suited for foils



	Connection	see page
270.030	G1/8-male	419
270.114	G1/8-female	422
270.043	G1/4-male	425
270.178	G1/4-female	431

Item no. 104.034.036.* **Material** NR (bg) 3 mm

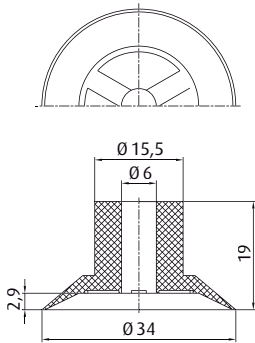
Additional sizes available are found on p. 21.

* When ordering please add the appropriate material code to item no. You will find it in the foldout. Average holding forces for Vacuum cups you will find on page 760



Vacuum cups by size | Flat vacuum cups by Ø

Ø 34 - 35 mm

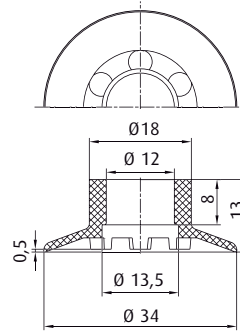


Item no.	Connection	see page
270.443	M5-male	410
270.238	G1/8-male	417
270.110	G1/8-female	422
270.534	G1/4-male	425

BESTSELLER

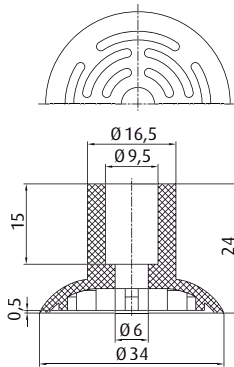
Item no. 104.034.054.* Material Vinyl (bl) 3 mm

Additional sizes available are found on p. 21.



Item no.	Connection	see page
270.097	G1/4-male	426
270.098	G1/4-female	432

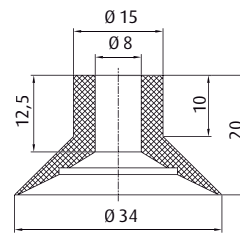
Item no. 108.034.003.* Material NR (bg) 1 mm



Item no.	Connection	see page
270.244	M5-male	410
270.177	M10-male	416
270.451	G1/4-male	426
270.452	G1/4-female	431

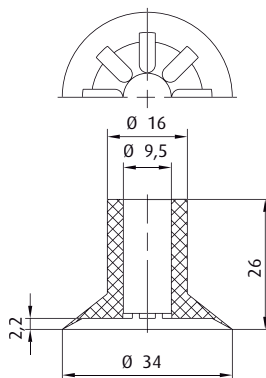
Item no. 116.034.001.* Material NR (sw), NR (bg) 0.5 mm

Additional sizes available are found on p. 21.
Notes: Especially well-suited for flexible products (foils, leather, veneer)



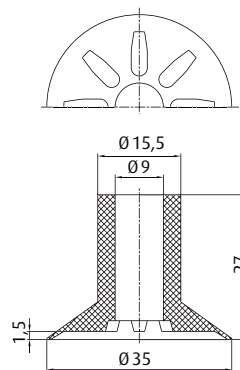
Item no.	Connection	see page
270.112	G1/8-male	419
270.114	G1/8-female	422
270.113	G1/4-male	425
270.178	G1/4-female	431

Item no. 122.034.038.* Material NR (sw), NR (br) 3 mm



Item no.	Connection	see page
270.177	M10-male	416
270.132	G1/8-male	417
270.114	G1/8-female	422
270.208	G1/4-male	425
270.452	G1/4-female	431

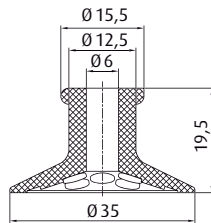
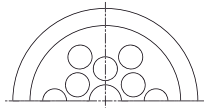
Item no. 104.035.048.* Material Vinyl (bl) 2 mm



Item no.	Connection	see page
270.177	M10-male	416
270.132	G1/8-male	417
270.114	G1/8-female	422
270.208	G1/4-male	425
270.452	G1/4-female	431

Item no. 104.035.050.* Material Vinyl (bl) 2 mm

* When ordering please add the appropriate material code to item no. You will find it in the foldout.
Average holding forces for Vacuum cups you will find on page 760

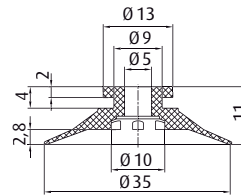
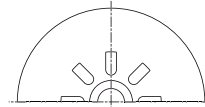


	Connection	see page
270.030	G1/8-male	419
270.114	G1/8-female	422
270.043	G1/4-male	425
270.178	G1/4-female	431

Item no.
104.035.038._*

Material
NR (bg)

1 mm

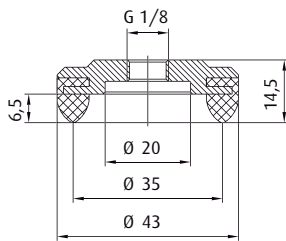


	Connection	see page
270.310	M5-male	411
270.250	G1/8-male	418

Item no.
102.035.320._*

Material
NR (sw)

2.8 mm



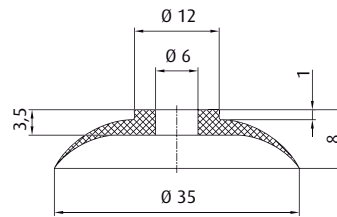
Item no.
160.042.001._*

Material
EPDM (sw)

1 mm

Additional sizes available are found on p. 72.
Notes: Foam sealing lip equalises product unevenness

	Connection	see page
270.250	G1/8-male	418

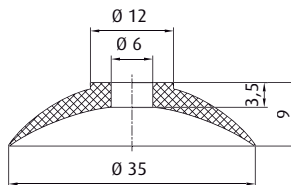


Item no.
112.035.059._*

Material
SI (tr), NR (sw)

3 mm

	Connection	see page
270.039	M6-male	414



Item no.
112.035.065._*

Material
SI (tr)

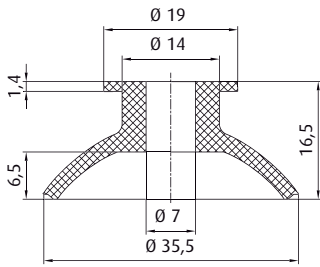
5.5 mm

* When ordering please add the appropriate material code to item no. You will find it in the foldout.
Average holding forces for Vacuum cups you will find on page 760



Vacuum cups by size | Flat vacuum cups by Ø

Ø 35 - 36 mm

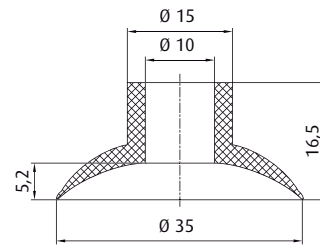


	Connection	see page
270.030	G1/8-male	419
270.019	G1/8-female	423
270.274	G1/4-male	427

Item no.
102.035.176._*

Material
Vinyl (bl)

6 mm



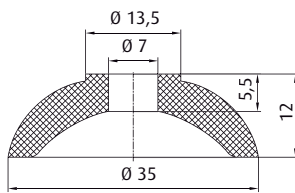
	Connection	see page
270.177	M10-male	416
270.451	G1/4-male	426
270.452	G1/4-female	431

Item no.
112.035.060._*

Material
NBR (sw), SI (w), NR (sw)

5 mm

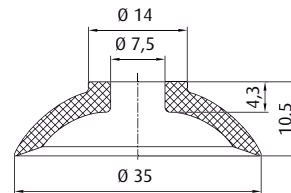
Additional sizes available are found on p. 52.



Item no.
112.035.064._*

Material
NR (sw), NR (bg)

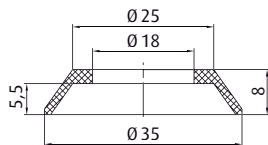
5 mm



Item no.
115.035.007._*

Material
NBR (sw), SI (tr), NR (sw)

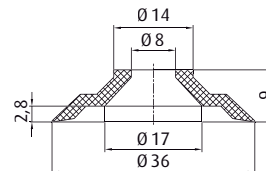
5 mm



Item no.
107.035.055._*

Material
NR (bg)

4 mm



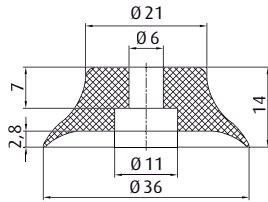
	Connection	see page
270.255	M8-male	415

Item no.
102.036.106._*

Material
SI (gr)

3 mm

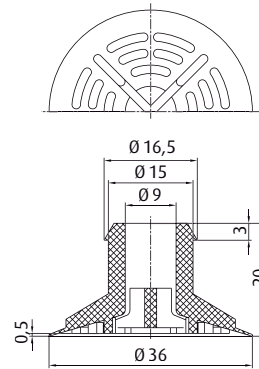
* When ordering please add the appropriate material code to item no. You will find it in the foldout.
Average holding forces for Vacuum cups you will find on page 760



Icon	Connection	see page
	M6-male	414
	G1/8-male	419
	G1/8-female	423
	G1/4-male	427
	G1/4-female	432

Item no.
102.035.056.* **Material**
NBR (sw), SI (tr) 3 mm

Additional sizes available are found on p. 32.



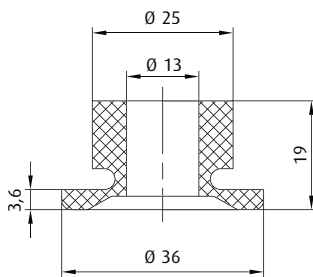
Icon	Connection	see page
	G1/4-male	426
	G1/4-female	431

Item no.
102.036.342.* **Material**
SI (tr) 0.5 mm

Additional sizes available are found on p. 21.

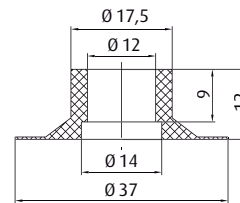
Notes: Especially well-suited for foils

This vacuum cup is also available in the following dimensions: 27 mm



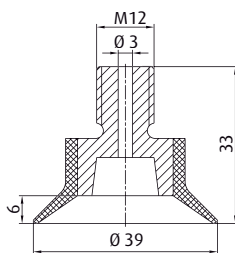
Icon	Connection	see page
	G1/4-male	426

Item no.
107.036.037.* **Material**
NR (br) 1.5 mm

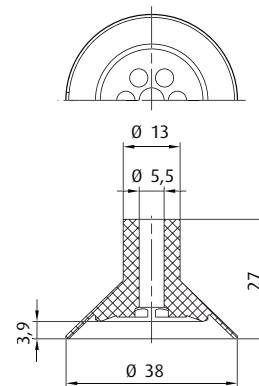


Icon	Connection	see page
	G1/4-male	426
	G1/4-female	432

Item no.
107.037.027.* **Material**
NR (br) 0 mm



Item no.
120.038.021.* **Material**
NR (sw) 3 mm



Icon	Connection	see page
	M5-male	410
	G1/8-male	417
	G1/8-female	422
	G1/4-male	425

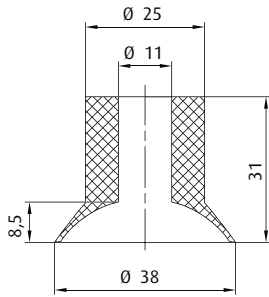
Item no.
104.038.039.* **Material**
PU (br), Vinyl (bl) 3.5 mm

* When ordering please add the appropriate material code to item no. You will find it in the foldout.
Average holding forces for Vacuum cups you will find on page 760



Vacuum cups by size | Flat vacuum cups by \varnothing

\varnothing 38 - 40 mm

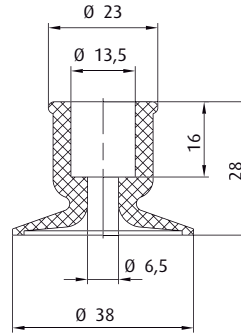


Icon	Connection	see page
	G1/4-male	426

Item no.
102.038.157.*

Material
Vinyl (bl)

6 mm

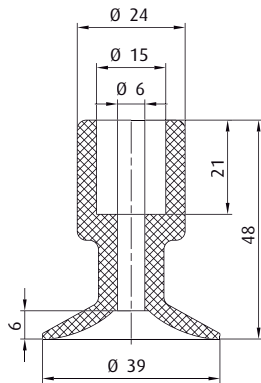


Icon	Connection	see page
	G1/4-male	426

Item no.
102.038.136.*

Material
NR (bg)

2.5 mm

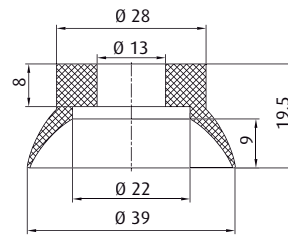


Icon	Connection	see page
	G1/4-female	432

Item no.
102.039.154.*

Material
NR (bg)

2 mm

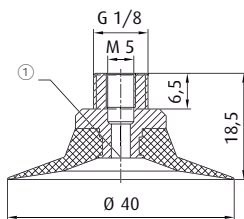


Icon	Connection	see page
	G1/4-male	430

Item no.
112.039.069.*

Material
NR (bg)

5 mm



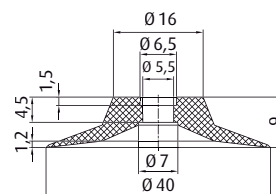
① = Filter screen

Item no.
120.040.084.*

Material
CR (sw)

2.5 mm

Spare cup



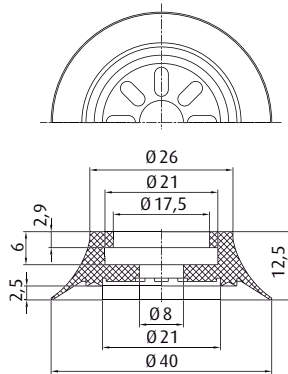
Icon	Connection	see page
	M5-female	413
	G1/8-male	418
	G1/8-male	418

Item no.
102.040.310.*

Material
CR (sw)

2 mm

* When ordering please add the appropriate material code to item no. You will find it in the foldout.
Average holding forces for Vacuum cups you will find on page 760

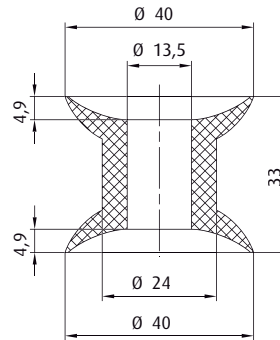


	Connection	see page
270.234	G1/8-female	438

FLEXIBLE LIP

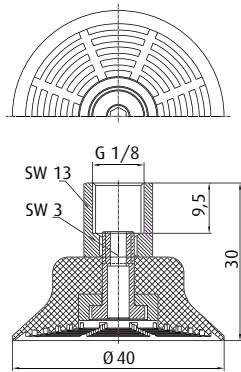
Item no. 102.040.357.* **Material** SI (tr), NR (br) 3 mm

Additional sizes available are found on p. 66.



	Connection	see page
270.116	G1/4-female	432

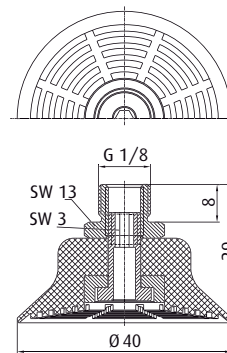
Item no. 102.039.235.* **Material** NR (br) 5 mm



NON-SLIP

Item no. 100.040.103.* **Material** NBR (sw) 2.5 mm

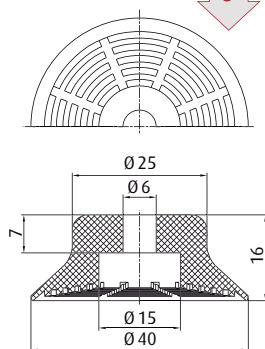
Additional sizes available are found on p. 62.



NON-SLIP

Item no. 100.040.113.* **Material** NBR (sw) 2.5 mm

Additional sizes available are found on p. 62.



	Connection	see page
270.498	M6-male	414
270.486	G1/8-male	420
270.485	G1/8-female	423
270.487	G1/4-male	429
270.488	G1/4-female	434

	see page
50.170	20 mm 456
50.171	30 mm 456
50.172	40 mm 456
50.173	50 mm 456

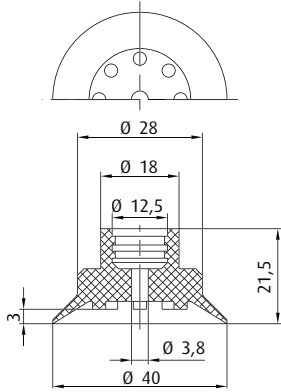
Item no. 104.040.068.* **Material** NBR (sw) 2.5 mm

* When ordering please add the appropriate material code to item no. You will find it in the foldout. Average holding forces for Vacuum cups you will find on page 760



Vacuum cups by size | Flat vacuum cups by Ø

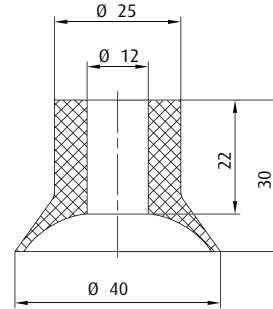
Ø 40 mm



Icon	Connection	see page
	G1/4-male	426
	G1/4-female	432

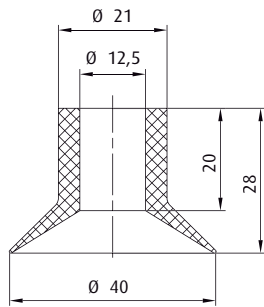
Item no. 104.040.014.* **Material** NBR (sw) 2.5 mm

This vacuum cup is also available in the following dimensions: 10 mm, 15 mm, 18 mm, 24 mm, 30 mm, 50 mm



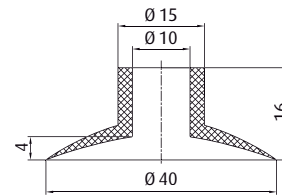
Icon	Connection	see page
	G1/4-male	426

Item no. 122.040.001.* **Material** NBR (sw), SI (tr), NR (bg) 5 mm



Icon	Connection	see page
	G1/4-male	426

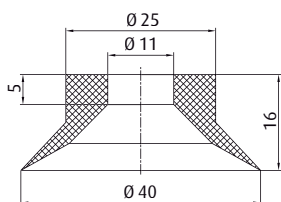
Item no. 122.040.044.* **Material** SI (tr), NR (bg) 4.5 mm



Icon	Connection	see page
	M10-male	416
	G1/4-male	426
	G1/4-female	431

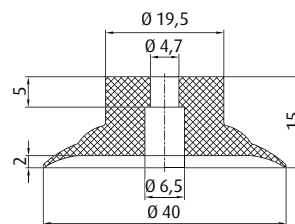
Item no. 112.040.071.* **Material** NBR (sw), SI (tr) 4 mm

Additional sizes available are found on p. 52.



Icon	Connection	see page
	M8-male	415
	G1/8-female	424

Item no. 126.040.016.* **Material** SI (tr), NR (bg), PU (bl) 5 mm

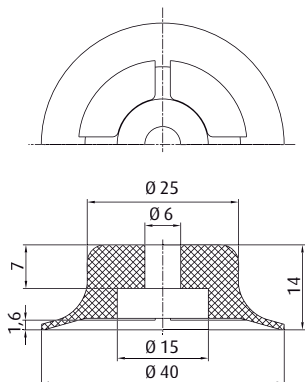


Icon	Connection	see page
	M5-male	410
	M6-male	413
	G1/8-male	416
	G1/8-female	421
	G1/4-male	425
	8.5 mm	see page 454

Item no. 102.040.223.* **Material** NBR (sw), SI (tr) 2 mm

Additional sizes available are found on p. 50.

* When ordering please add the appropriate material code to item no. You will find it in the foldout. Average holding forces for Vacuum cups you will find on page 760

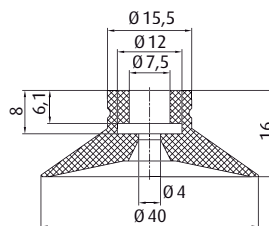


Item no.	Connection	see page
270.498	M6-male	414
270.486	G1/8-male	420
270.485	G1/8-female	423
270.487	G1/4-male	429
270.488	G1/4-female	434

Item no.	Height	see page
50.170	20 mm	456
50.171	30 mm	456
50.172	40 mm	456
50.173	50 mm	456

Item no. 102.040.289.*	Material NBR (sw), SI (tr), PU (bl), FKM (gr)	2 mm
----------------------------------	--	------

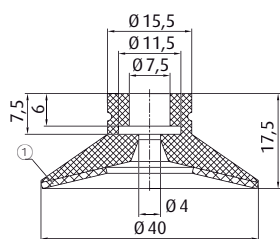
Additional sizes available are found on p. 38.



Item no.	Connection	see page
270.012	G1/8-male	421
270.020	G1/8-female	423
270.034	G1/4-male	428
270.038	G1/4-female	432

Item no.	Height	see page
50.005	5 mm	456
50.145	10 mm	456
50.146	30 mm	456

Item no. 102.040.364.*	Material SI (bl)	3 mm
----------------------------------	----------------------------	------



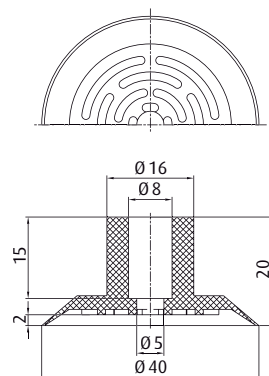
Item no.	Connection	see page
270.012	G1/8-male	421
270.020	G1/8-female	423
270.034	G1/4-male	428
270.038	G1/4-female	432

Item no.	Height	see page
50.005	5 mm	456
50.145	10 mm	456
50.146	30 mm	456

① = Silicone sponge

Item no. 104.040.088.*	Material SI (bl/r)	2.5 mm
----------------------------------	------------------------------	--------

Additional sizes available are found on p. 166.



Item no.	Connection	see page
270.112	G1/8-male	419
270.114	G1/8-female	422
270.113	G1/4-male	425
270.178	G1/4-female	431

BESTSELLER

Item no. 104.040.018.*	Material SI (tr), NR (sw), NR (br)	2 mm
----------------------------------	--	------

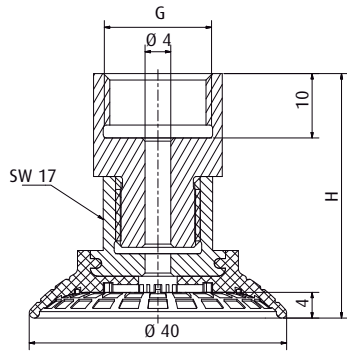
Additional sizes available are found on p. 21.
This vacuum cup is also available in the following dimensions: 15 mm, 24 mm, 28 mm, 30 mm

* When ordering please add the appropriate material code to item no. You will find it in the foldout.
Average holding forces for Vacuum cups you will find on page 760



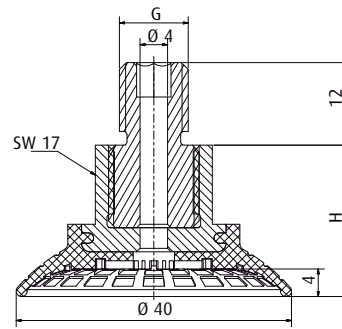
Vacuum cups by size | Flat vacuum cups by \varnothing

\varnothing 42 mm



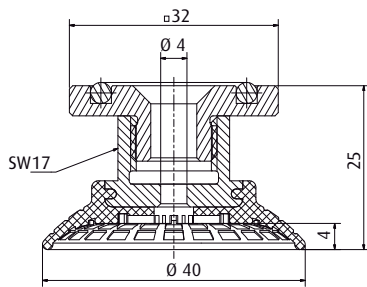
Item no.	Material	[mm]	Connection thread	H [mm]
103.040.037.*	NBR (bl)	4	G1/4-female	22
103.040.038.*	NBR (bl)	4	G3/8-female	38

Additional sizes available are found on p. 64.



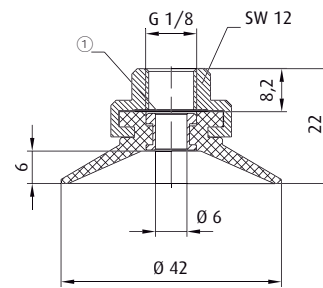
Item no.	Material	[mm]	Connection thread	H [mm]
103.040.036.*	NBR (bl)	4	G1/4-male	22
103.040.039.*	NBR (bl)	4	M10-male	22
103.040.040.*	NBR (bl)	4	M14x1.5-male	22

Additional sizes available are found on p. 64.



Item no.	Material	4 mm
103.040.041.*	NBR (bl)	

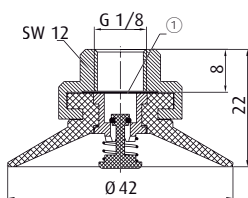
Additional sizes available are found on p. 64.



① = Filter screen

Item no.	Material	4 mm
120.040.076.*	SI (tr), CR (sw)	

Additional sizes available are found on p. 47.

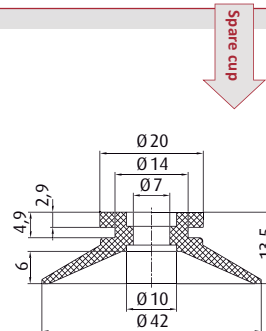


① = Filter screen

Item no.	Material	4 mm
121.040.007.*	SI (tr), CR (sw)	

Additional sizes available are found on p. 47.

Spare cup

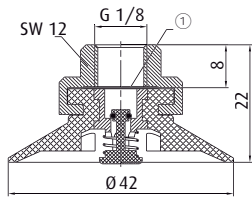


Item no.	Material	4 mm
102.040.094.*	SI (tr), CR (sw)	

Additional sizes available are found on p. 42.

	Connection	see page
270.251	G1/8-female	423
270.501-S	G1/8-female	424
270.506-S	G1/4-male	428
270.505-S	G3/8-male	434

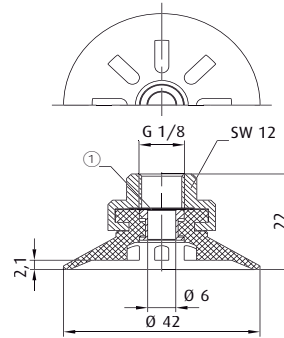
* When ordering please add the appropriate material code to item no. You will find it in the foldout.
Average holding forces for Vacuum cups you will find on page 760



① = Filter screen

Item no. 124.040.006_* **Material** SI (tr), CR (sw) 2 mm

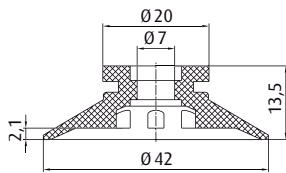
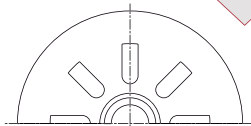
Additional sizes available are found on p. 47.



① = Filter screen

Item no. 123.040.028_* **Material** Tepuflex® (or), SI (tr), CR (sw) 2 mm

Additional sizes available are found on p. 47.



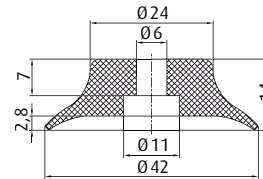
Spare cup

	Connection	see page
270.251	G1/8-female	423
270.501-S	G1/8-female	424
270.506-S	G1/4-male	428
270.505-S	G3/8-male	434

BESTSELLER

Item no. 125.040.013_* **Material** Tepuflex® (or), SI (tr), CR (sw) 2 mm

Additional sizes available are found on p. 42.

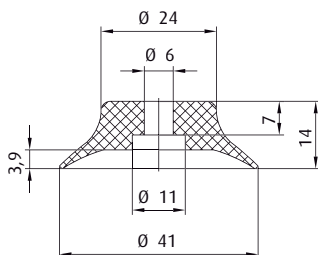


Spare cup

	Connection	see page
270.312/19	M6-male	414
270.030	G1/8-male	419
270.019	G1/8-female	423
270.274	G1/4-male	427
270.275	G1/4-female	432

Item no. 102.040.061_* **Material** NBR (sw), SI (tr), PU (bl) 3.5 mm

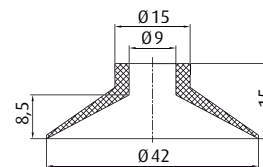
Additional sizes available are found on p. 32.



	Connection	see page
270.312/19	M6-male	414
270.030	G1/8-male	419
270.019	G1/8-female	423
270.274	G1/4-male	427
270.275	G1/4-female	432

Item no. 102.040.503_* **Material** Thermalon® (bl) 3.9 mm

Additional sizes available are found on p. 36.



	Connection	see page
270.034	G1/4-male	428
270.038	G1/4-female	432

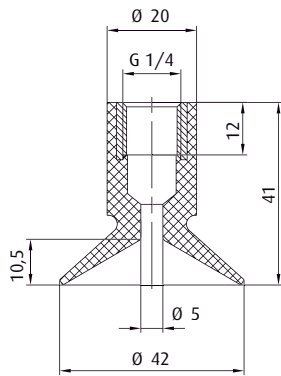
Item no. 102.042.232_* **Material** NR (sw) 7 mm

* When ordering please add the appropriate material code to item no. You will find it in the foldout.
Average holding forces for Vacuum cups you will find on page 760



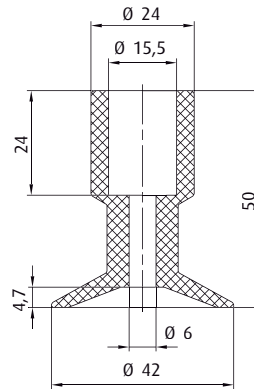
Vacuum cups by size | Flat vacuum cups by \varnothing

\varnothing 42 - 43 mm



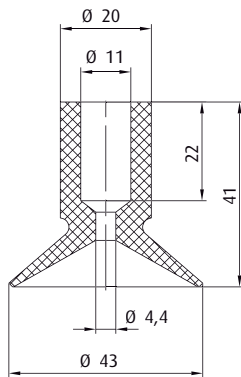
Item no. 120.040.032.* **Material** SI (tr), NR (sw) 6 mm

This vacuum cup is also available in the following dimensions: 53 mm, 62 mm, 83 mm



Item no. 102.042.184.* **Material** Vinyl (bl) 4 mm

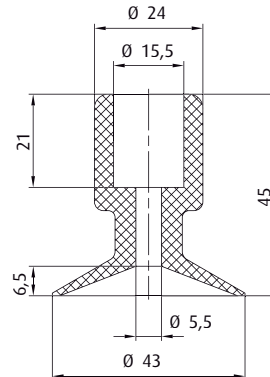
	Connection	see page
270.116	G1/4-female	432



	Connection	see page
270.049-1	G1/4-male	426

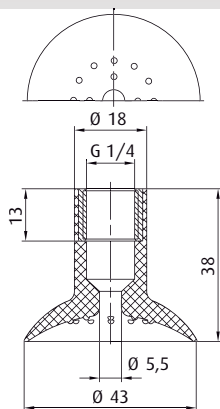
Item no. 122.040.043.* **Material** SI (tr), NR (sw) 4 mm

Additional sizes available are found on p. 56.



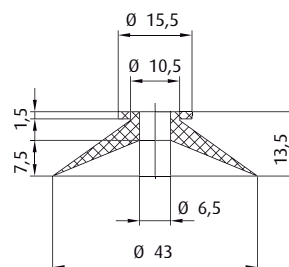
	Connection	see page
270.116	G1/4-female	432

Item no. 102.043.252.* **Material** NR (br) 7 mm



Item no. 110.042.068.* **Material** SI (tr), NR (sw) 5 mm

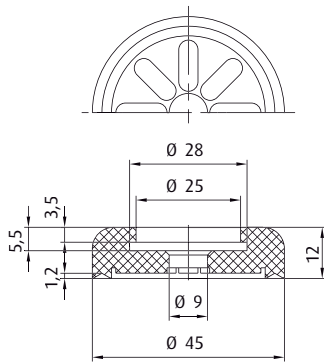
This vacuum cup is also available in the following dimensions: 50 mm, 62 mm, 81 mm, 100 mm



	Connection	see page
270.063	G1/8-male	419
270.061	G1/8-female	422

Item no. 102.043.170.* **Material** Vinyl (bl) 5 mm

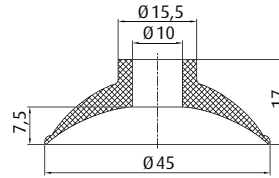
* When ordering please add the appropriate material code to item no. You will find it in the foldout. Average holding forces for Vacuum cups you will find on page 760



Item no.	Connection	see page
270.235	G1/8-female	438

Item no. 102.045.460.* **Material** HNBR (ge), NR (br) 1.2 mm

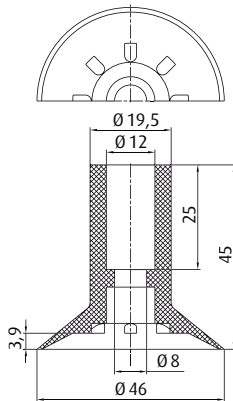
Additional sizes available are found on p. 70.



Item no.	Connection	see page
270.451	G1/4-male	426
270.452	G1/4-female	431

Item no. 112.045.077.* **Material** NBR (sw), SI (w), NR (sw) 7 mm

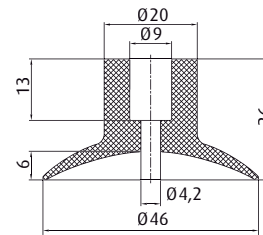
Additional sizes available are found on p. 52.



Item no.	Connection	see page
270.049-1	G1/4-male	426

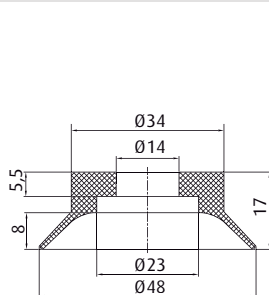
Item no. 127.045.002.* **Material** NR (sw) 5 mm

This vacuum cup is also available in the following dimensions: 65 mm



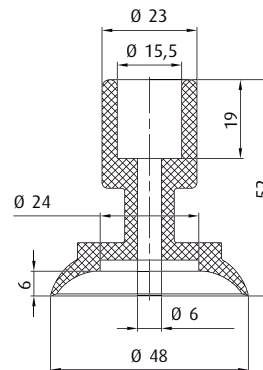
Item no.	Connection	see page
270.132	G1/8-male	417
270.114	G1/8-female	422
270.208	G1/4-male	425

Item no. 102.046.046.* **Material** NBR (sw) 6 mm



Item no.	Connection	see page
270.210	G1/4-male	430

Item no. 107.048.031.* **Material** SI (tr), NR (gr) 5 mm



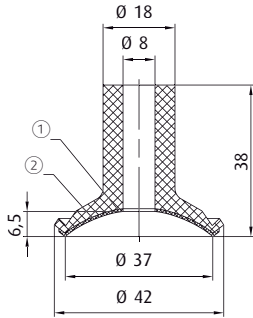
Item no. 115.048.008.* **Material** NR (sw) 8 mm

* When ordering please add the appropriate material code to item no. You will find it in the foldout. Average holding forces for Vacuum cups you will find on page 760



Vacuum cups by size | Flat vacuum cups by Ø

Ø 37 - 50 mm



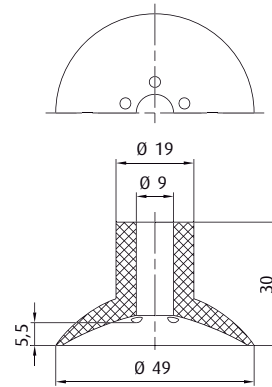
Icon	Connection	see page
	270.132 G1/8-male	417
	270.114 G1/8-female	422
	270.208 G1/4-male	425
	270.178 G1/4-female	431

NON-MARKING!
TEMP. MAX. 500 °C

① = Felt pads ② = For silicone vacuum cups with silicone membranes: evaporated aluminium layer

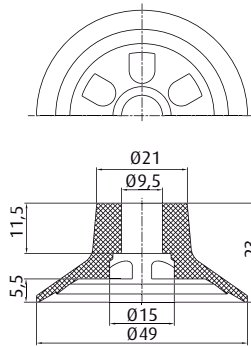
Item no. 26.037.010.*	Material SI (tr/ge)	3 mm
---------------------------------	-------------------------------	------

Additional sizes available are found on p. 164.



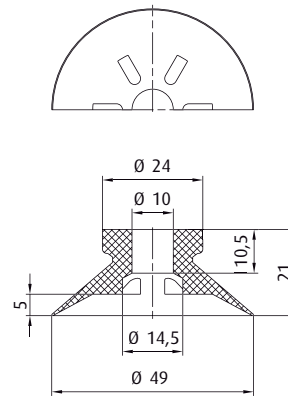
Icon	Connection	see page
	270.132 G1/8-male	417
	270.114 G1/8-female	422
	270.208 G1/4-male	425
	270.178 G1/4-female	431

Item no. 102.048.274.*	Material NR (sw)	6 mm
----------------------------------	----------------------------	------



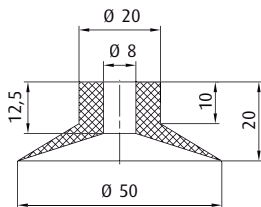
Icon	Connection	see page
	270.315 M6-male	414
	270.177 M10-male	416
	270.540 G1/4-male	429
	270.539 G1/4-female	434

Item no. 104.050.022.*	Material NBR (gr), NR (bg)	4.5 mm
----------------------------------	--------------------------------------	--------



Icon	Connection	see page
	270.249 G1/4-male	427
	270.248 G1/4-female	433

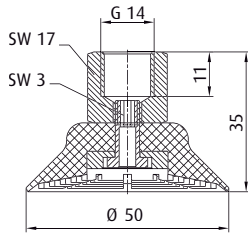
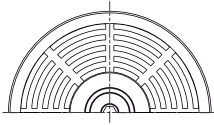
Item no. 127.050.004.*	Material SI (tr), NR (sw), NR (bg)	4 mm
----------------------------------	--	------



Icon	Connection	see page
	270.114 G1/8-female	422
	270.043 G1/4-male	425
	270.178 G1/4-female	431

Item no. 126.050.017.*	Material SI (tr), NR (bg)	4 mm
----------------------------------	-------------------------------------	------

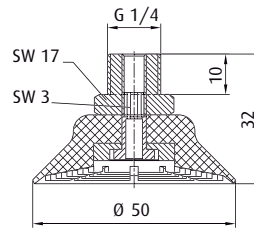
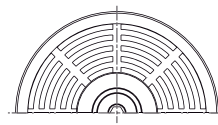
* When ordering please add the appropriate material code to item no. You will find it in the foldout.
Average holding forces for Vacuum cups you will find on page 760



NON-SLIP

Item no. 100.050.104_* **Material** NBR (sw) 3.1 mm

Additional sizes available are found on p. 62.

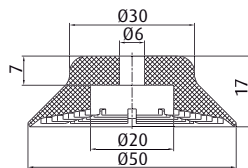
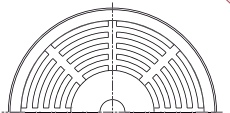


NON-SLIP

Item no. 100.050.114_* **Material** NBR (sw) 3.1 mm

Additional sizes available are found on p. 62.

Spare cup



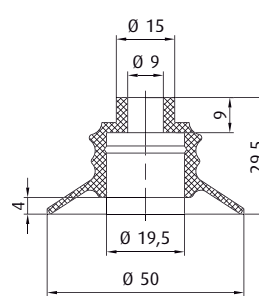
	Connection	see page
270.499	M6-male	414
270.490	G1/8-male	420
270.489	G1/8-female	423
270.491	G1/4-male	429
270.492	G1/4-female	434

		see page
50.174	20 mm	456
50.175	30 mm	456
50.176	40 mm	456
50.177	50 mm	456

Item no. 104.050.069_* **Material** NBR (sw) 3.1 mm

Additional sizes available are found on p. 62.

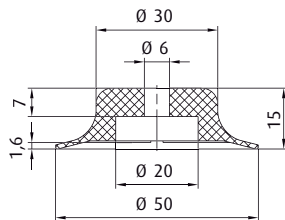
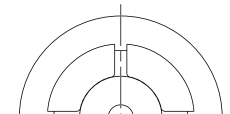
Spare cup



	Connection	see page
270.012	G1/8-male	421
270.020	G1/8-female	423

Item no. 107.050.042_* **Material** NR (sw), NR (br) 6 mm

Additional sizes available are found on p. 62.

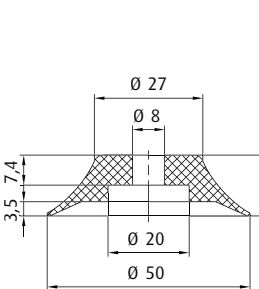


	Connection	see page
270.499	M6-male	414
270.490	G1/8-male	420
270.489	G1/8-female	423
270.491	G1/4-male	429
270.492	G1/4-female	434

		see page
50.174	20 mm	456
50.175	30 mm	456
50.176	40 mm	456
50.177	50 mm	456

Item no. 102.050.290_* **Material** NBR (sw), SI (tr), PU (bl), FKM (gr) 2 mm

Additional sizes available are found on p. 38.



	Connection	see page
270.490	G1/8-male	420
270.489	G1/8-female	423
270.491	G1/4-male	429
270.492	G1/4-female	434

Item no. 102.050.065_* **Material** NBR (sw), SI (tr), PU (bl) 4 mm

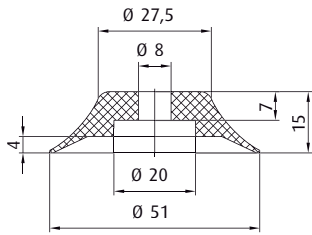
Additional sizes available are found on p. 32.

* When ordering please add the appropriate material code to item no. You will find it in the foldout. Average holding forces for Vacuum cups you will find on page 760



Vacuum cups by size | Flat vacuum cups by \varnothing

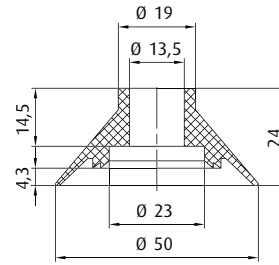
\varnothing 50 mm



	Connection	see page
270.012	G1/8-male	421
270.020	G1/8-female	423
270.491	G1/4-male	429
270.492	G1/4-female	434

Item no. 102.050.504.* **Material** Thermalon® (bl) 4 mm

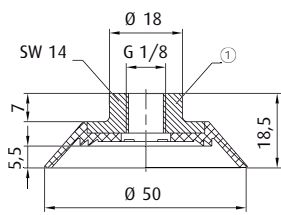
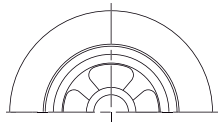
Additional sizes available are found on p. 36.



	Connection	see page
270.184	G1/4-male	431

BESTSELLER

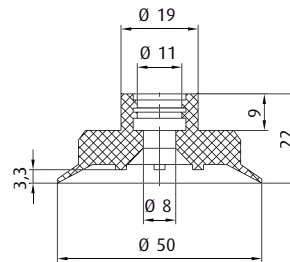
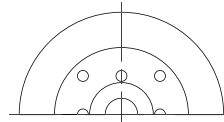
Item no. 127.050.003.* **Material** SI (r), CR (sw) 5 mm



① = Aluminium

Item no. 150.050.032.* **Material** SI (r), FKM (sw), CR (sw) 5.5 mm

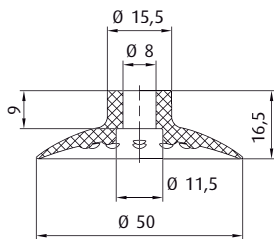
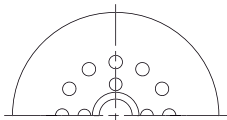
Additional sizes available are found on p. 68.



	Connection	see page
270.097	G1/4-male	426
270.098	G1/4-female	432

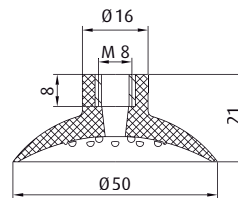
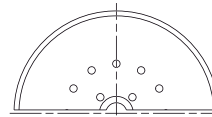
Item no. 104.050.064.* **Material** NBR (sw), SI (tr) 5 mm

This vacuum cup is also available in the following dimensions: 10 mm, 15 mm, 18 mm, 24 mm, 30 mm, 40 mm



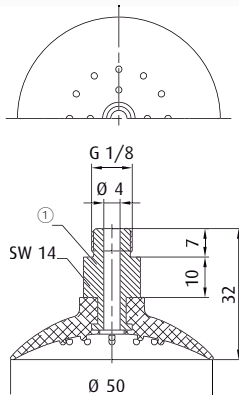
	Connection	see page
270.112	G1/8-male	419
270.114	G1/8-female	422
270.043	G1/4-male	425
270.178	G1/4-female	431

Item no. 102.050.433.* **Material** Vulkollan® (br) 3 mm



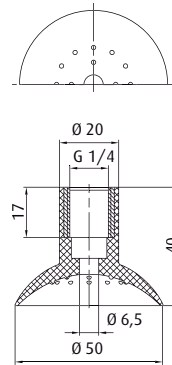
Item no. 110.050.080.* **Material** NR (sw) 4 mm

* When ordering please add the appropriate material code to item no. You will find it in the foldout. Average holding forces for Vacuum cups you will find on page 760



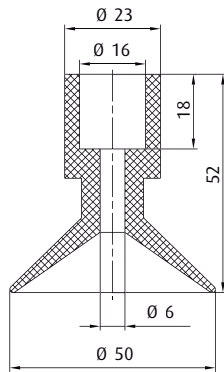
① = Aluminium

Item no. 113.050.014._*	Material NBR (sw)	5 mm
-----------------------------------	-----------------------------	------

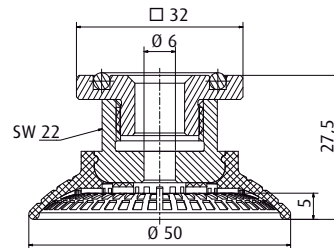


Item no. 110.050.078._*	Material SI (tr), NR (sw)	9 mm
-----------------------------------	-------------------------------------	------

This vacuum cup is also available in the following dimensions: 43 mm, 62 mm, 81 mm, 100 mm

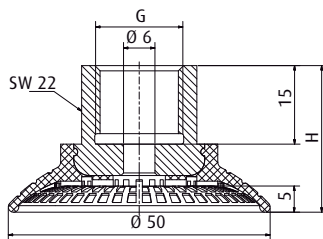


Item no. 126.050.018._*	Material NR (bg)	10 mm
-----------------------------------	----------------------------	-------



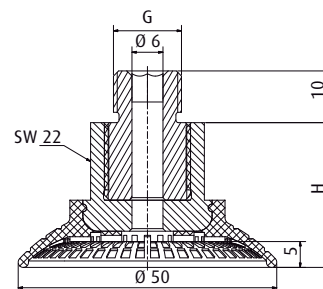
Item no. 103.050.047._*	Material NBR (bl)	5 mm
-----------------------------------	-----------------------------	------

Additional sizes available are found on p. 64.



Item no.	Material	[mm]	Connection thread	H [mm]
103.050.043._*	NBR (bl)	5	G1/4-female	33
103.050.044._*	NBR (bl)	5	G3/8-female	28

Additional sizes available are found on p. 64.



Item no.	Material	[mm]	Connection thread	H [mm]
103.050.042._*	NBR (bl)	5	G1/4-male	28
103.050.045._*	NBR (bl)	5	M10-male	28
103.050.046._*	NBR (bl)	5	M14x1.5-male	28

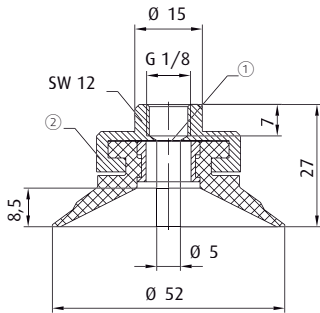
Additional sizes available are found on p. 64.

* When ordering please add the appropriate material code to item no. You will find it in the foldout.
Average holding forces for Vacuum cups you will find on page 760



Vacuum cups by size | Flat vacuum cups by \varnothing

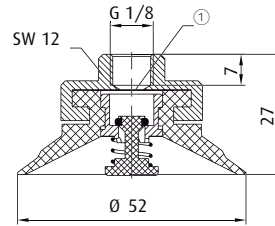
\varnothing 52 - 53 mm



① = Filter screen ② = Aluminium

Item no. 120.050.078_* **Material** SI (tr), CR (sw) 6.5 mm

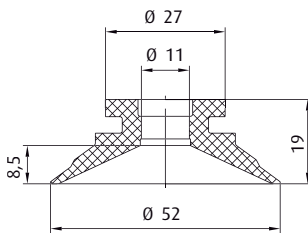
Additional sizes available are found on p. 47.



① = Filter screen

Item no. 121.050.008_* **Material** SI (tr), CR (sw) 2.5 mm

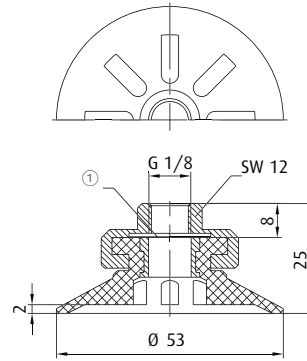
Additional sizes available are found on p. 47.



Item no. 102.050.097_* **Material** SI (tr), CR (sw) 6.5 mm

Additional sizes available are found on p. 42.

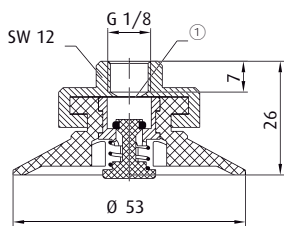
	Connection	see page
270.252	G1/8-female	424
270.502-S	G1/8-female	424
270.504-S	G1/4-male	429
270.507-S	G3/8-male	435



① = Filter screen

Item no. 123.050.034_* **Material** Tepuflex® (or), SI (tr), CR (sw) 2.5 mm

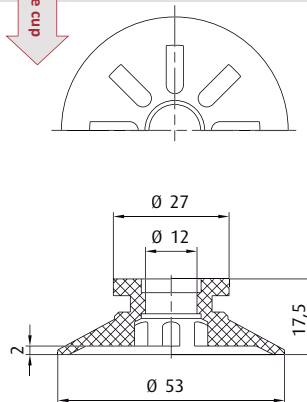
Additional sizes available are found on p. 47.



① = Filter screen

Item no. 124.050.009_* **Material** SI (tr), CR (sw) 2.5 mm

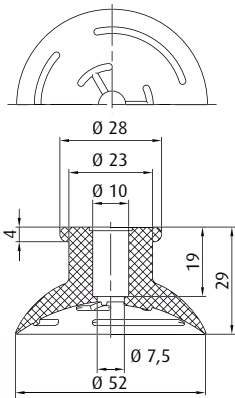
Additional sizes available are found on p. 47.



Item no. 125.050.017_* **Material** Tepuflex® (or), SI (tr), CR (sw) 2.5 mm

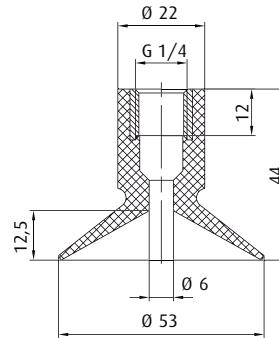
Additional sizes available are found on p. 42.

* When ordering please add the appropriate material code to item no. You will find it in the foldout.
Average holding forces for Vacuum cups you will find on page 760



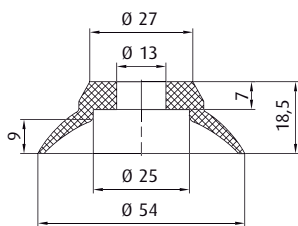
	Connection	see page
270.177	M10-male	416
270.451	G1/4-male	426
270.452	G1/4-female	431

Item no. 114.052.008.* **Material** NR (bg) 6 mm



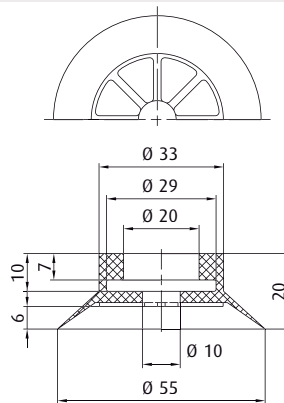
Item no. 120.050.040.* **Material** SI (tr), NR (sw) 11 mm

This vacuum cup is also available in the following dimensions: 42 mm, 62 mm, 83 mm



	Connection	see page
270.184	G1/4-male	431

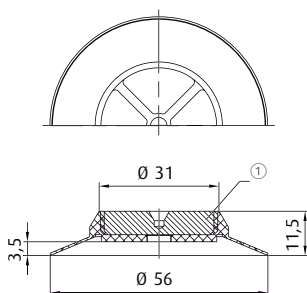
Item no. 112.055.086.* **Material** PU (bl) 6 mm



	Connection	see page
270.289	G1/8-female	438

FLEXIBLE LIP

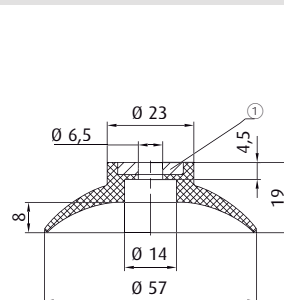
Item no. 154.055.060.* **Material** NBR (gr) 6 mm



① = Steel

Item no. 152.055.092.* **Material** NBR (gr) 4 mm

Ordering notes: Customised drilling patterns on request



	Connection	see page
270.312/19	M6-male	414

① = Aluminium

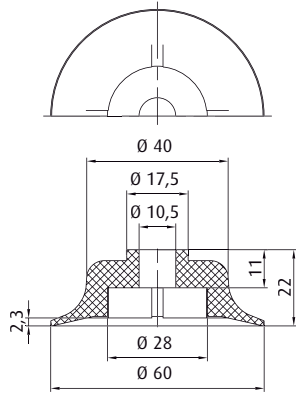
Item no. 112.057.087.* **Material** NR (sw) 6 mm

* When ordering please add the appropriate material code to item no. You will find it in the foldout. Average holding forces for Vacuum cups you will find on page 760



Vacuum cups by size | Flat vacuum cups by Ø

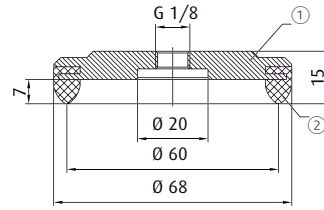
Ø 60 - 62 mm



Connection	see page
M10-male	416

Item no. 102.060.291.*	Material NBR (sw), SI (tr), PU (bl), FKM (gr)	2.5 mm
----------------------------------	--	--------

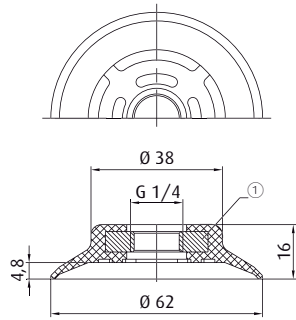
Additional sizes available are found on p. 38.



① = Aluminium ② = EPDM foamed

Item no. 160.067.003.*	Material EPDM (sw)	1 mm
----------------------------------	------------------------------	------

Additional sizes available are found on p. 72.
Notes: Foam sealing lip equalises product unevenness



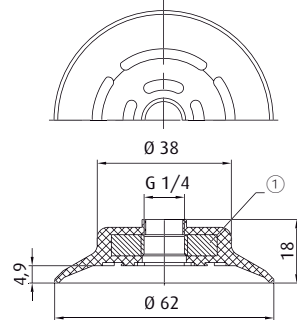
Connection	see page
M10x1.25-female	752
G1/4-male	750

BESTSELLER

① = Aluminium

Item no. 102.060.303.*	Material NBR (sw), SI (tr), PU (bl)	5 mm
----------------------------------	---	------

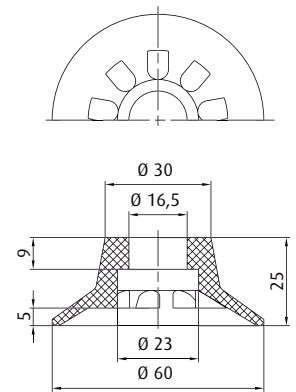
Additional sizes available are found on p. 32.



① = Aluminium

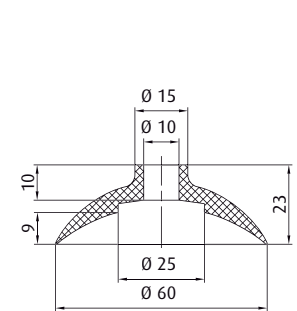
Item no. 102.060.505.*	Material Thermalon® (bl)	4.9 mm
----------------------------------	------------------------------------	--------

Additional sizes available are found on p. 36.



Connection	see page
G1/4-male	430

Item no. 104.060.024.*	Material NBR (gr), SBR (br), NR (bg)	4 mm
----------------------------------	--	------



Connection	see page
G1/4-male	431

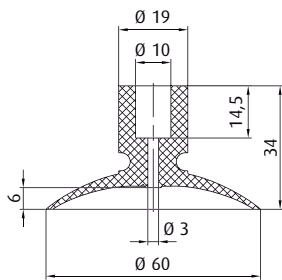
Item no. 112.060.091.*	Material NBR (sw), SI (tr)	9 mm
----------------------------------	--------------------------------------	------

Additional sizes available are found on p. 52.

* When ordering please add the appropriate material code to item no. You will find it in the foldout.
Average holding forces for Vacuum cups you will find on page 760

Vacuum cups by size | Flat vacuum cups by Ø

Ø 60 - 62 mm

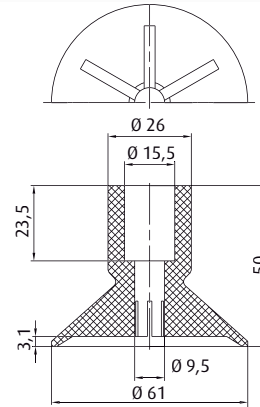


Item no.	Connection	see page
270.177	M10-male	416
270.451	G1/4-male	426
270.452	G1/4-female	431

Item no.
115.060.009._*

Material
NR (sw)

5 mm

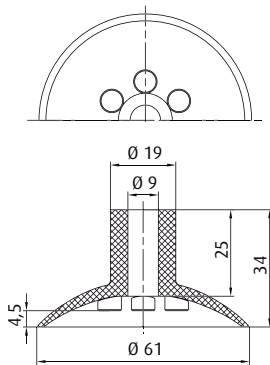


Item no.	Connection	see page
270.116	G1/4-female	432

Item no.
104.061.060._*

Material
Vinyl (bl)

2.5 mm

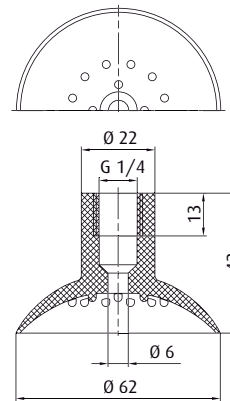


Item no.	Connection	see page
270.208	G1/4-male	425

Item no.
114.061.010._*

Material
SI (tr), NR (sw)

5 mm

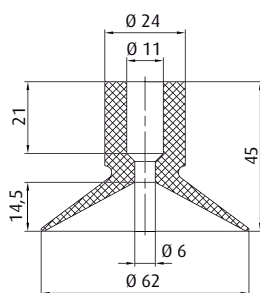


Item no.
110.060.085._*

Material
SI (tr), NR (sw)

9.5 mm

This vacuum cup is also available in the following dimensions: 43 mm, 50 mm, 81 mm, 100 mm



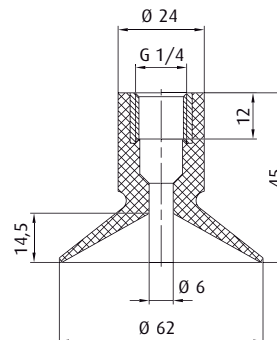
Item no.	Connection	see page
270.049-1	G1/4-male	426

Item no.
122.060.059._*

Material
NBR (sw), SI (tr), NR (sw)

10 mm

Additional sizes available are found on p. 56.



Item no.
120.060.045._*

Material
SI (tr), NR (sw)

10 mm

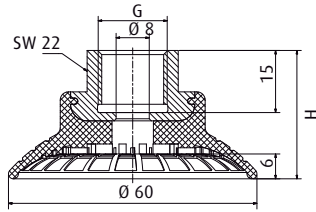
This vacuum cup is also available in the following dimensions: 42 mm, 53 mm, 83 mm

* When ordering please add the appropriate material code to item no. You will find it in the foldout.
Average holding forces for Vacuum cups you will find on page 760



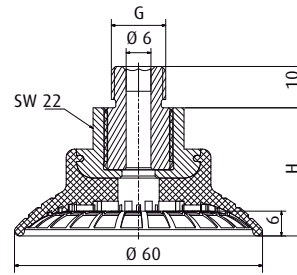
Vacuum cups by size | Flat vacuum cups by Ø

Ø 63 - 64 mm



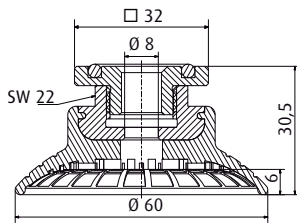
Item no.	Material	SW [mm]	Connection thread	H [mm]
103.060.049.*	NBR (bl)	6	G1/4-female	36
103.060.050.*	NBR (bl)	6	G3/8-female	31

Additional sizes available are found on p. 64.



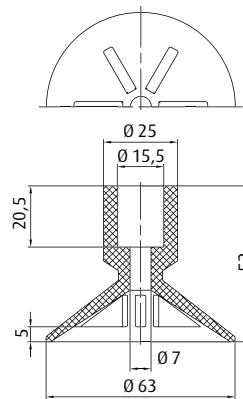
Item no.	Material	SW [mm]	Connection thread	H [mm]
103.060.048.*	NBR (bl)	6	G1/4-male	31
103.060.051.*	NBR (bl)	6	M10-male	31
103.060.052.*	NBR (bl)	6	M14x1.5-male	31

Additional sizes available are found on p. 64.



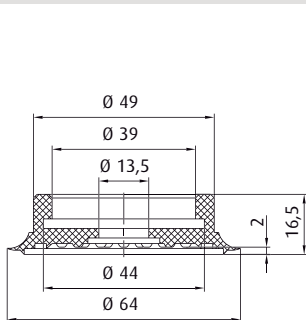
Item no.	Material	SW [mm]
103.060.053.*	NBR (bl)	6 mm

Additional sizes available are found on p. 64.



Item no.	Connection	see page
270.116	G1/4-female	432

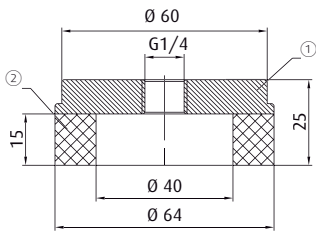
Item no.	Material	SW [mm]
104.063.041.*	NR (bg), CR (r)	6.5 mm



Item no.	Connection	see page
270.262	G1/8-female	438
270.284	G1/4-female	438

Item no.	Material	SW [mm]
154.065.002.*	SI (tr), NR (sw), NR (br), Vinyl (bl)	1.5 mm

* When ordering please add the appropriate material code to item no. You will find it in the foldout.
Average holding forces for Vacuum cups you will find on page 760

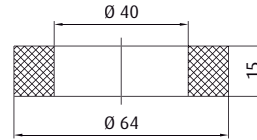


① = Aluminium ② = Sponge rubber NR

Item no. 206.064.006.*	Material Sponge rubber (or)	10 mm
----------------------------------	---------------------------------------	-------

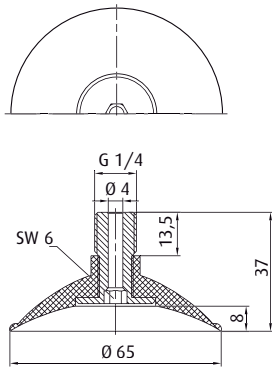
This vacuum cup is also available in the following dimensions: 91 mm

Spare cup

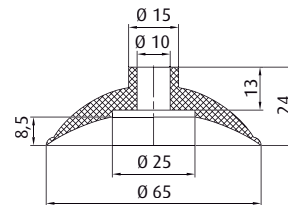


Item no. 208.064.001.*	Material Sponge rubber (or)	10 mm
----------------------------------	---------------------------------------	-------

This vacuum cup is also available in the following dimensions: 91 mm

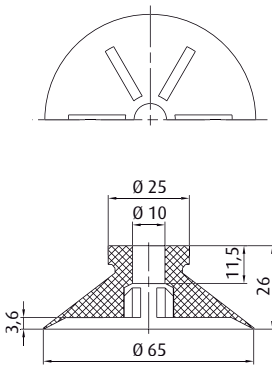


Item no. 110.065.091.*	Material NBR (sw), SI (tr), NR (sw), NR (bg), Vinyl (bl)	7 mm
----------------------------------	--	------



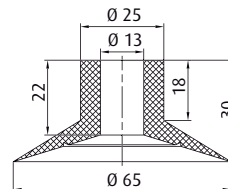
Item no. 112.065.093.*	Material NBR (sw), SI (tr), NR (sw), NR (bg), Vinyl (bl)	7 mm
----------------------------------	--	------

	Connection	see page
270.176	G1/4-male	430



Item no. 125.065.026.*	Material SI (tr), NR (sw), NR (bg)	5 mm
----------------------------------	--	------

	Connection	see page
270.177	M10-male	416
270.451	G1/4-male	426
270.452	G1/4-female	431



Item no. 126.065.019.*	Material SI (tr), NR (sw)	5 mm
----------------------------------	-------------------------------------	------


	Connection	see page
270.207	G1/4-male	426

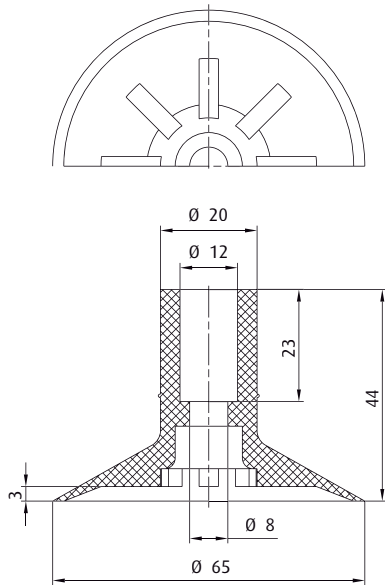
* When ordering please add the appropriate material code to item no. You will find it in the foldout.
Average holding forces for Vacuum cups you will find on page 760



Vacuum cups by size | Flat vacuum cups by Ø


Ø 65 - 70 mm

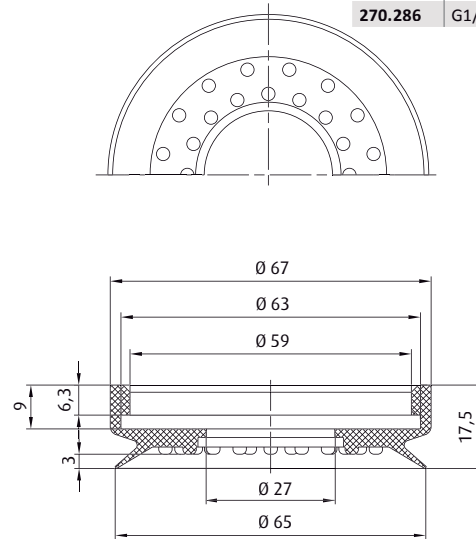
	Connection	see page
270.049-1	G1/4-male	426




Item no. 127.065.006._*	Material SI (tr), NR (sw)	 3 mm
-----------------------------------	-------------------------------------	---


This vacuum cup is also available in the following dimensions: 46 mm

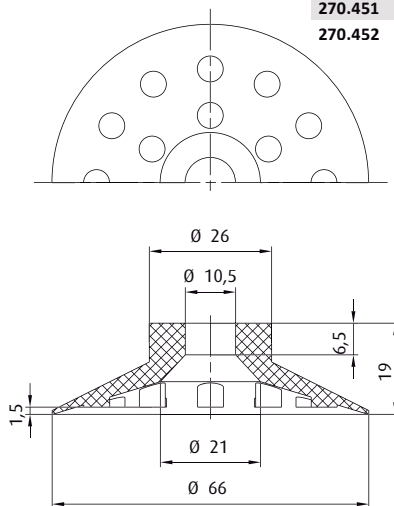
	Connection	see page
270.158	G1/8-female	438
270.264	G1/4-female	438
270.161	G3/8-female	438
270.286	G1/2-female	438





Item no. 154.065.003._*	Material NBR (sw), SI (w), NR (sw)	 3 mm
-----------------------------------	--	---

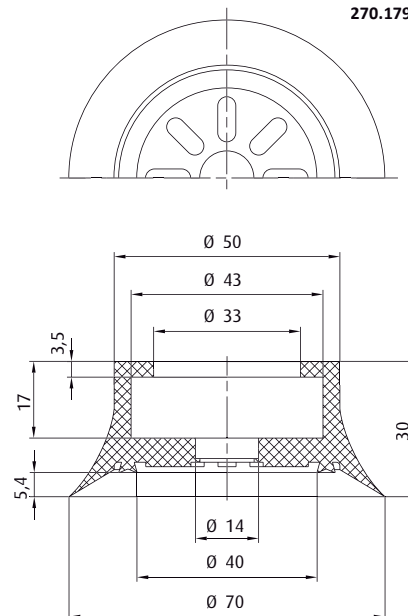
Additional sizes available are found on p. 70.

	Connection	see page
270.256	M8-male	415
270.012	G1/8-male	421
270.020	G1/8-female	423
270.451	G1/4-male	426
270.452	G1/4-female	431



Item no. 125.066.027._*	Material NBR (sw), SI (tr), NR (sw)	 0.5 mm
-----------------------------------	---	--

	Connection	see page
270.179	G1/4-female	438



Item no. 102.070.234._*	Material NBR (gr), SBR (br), SI (tr), NR (bg), NR (br)	 6 mm
-----------------------------------	--	--

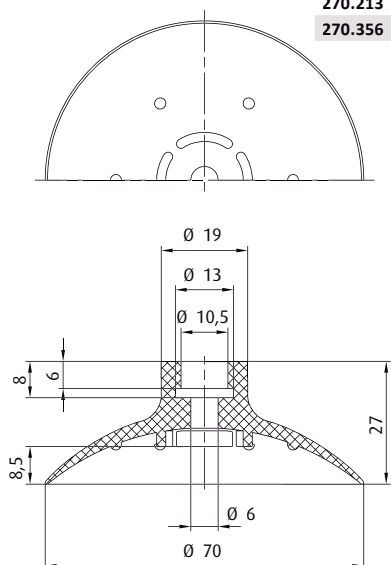
Additional sizes available are found on p. 66.

BESTSELLER

* When ordering please add the appropriate material code to item no. You will find it in the foldout.
Average holding forces for Vacuum cups you will find on page 760



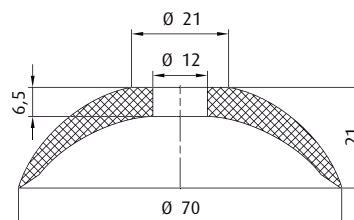
	Connection	see page
270.213	G1/4-male	428
270.356	G1/4-female	433



Item no.
102.070.325.*

Material
Vulkollan® (br)

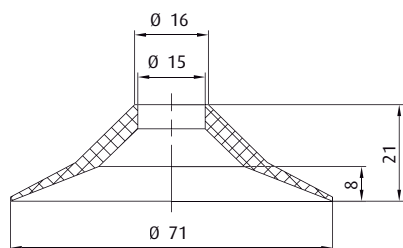
8.5 mm



Item no.
112.070.096.*

Material
NR (bg)

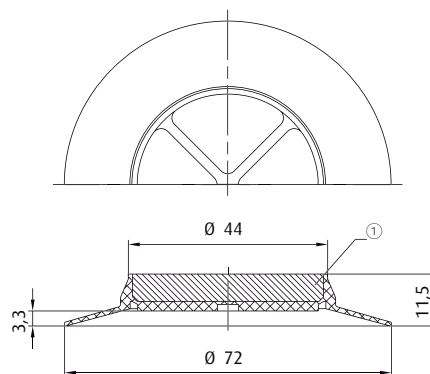
12 mm



Item no.
107.070.029.*

Material
NR (br)

6 mm



① = Steel

Item no.
152.070.093.*

Material
NBR (gr)

4 mm

Ordering notes: Customised drilling patterns on request

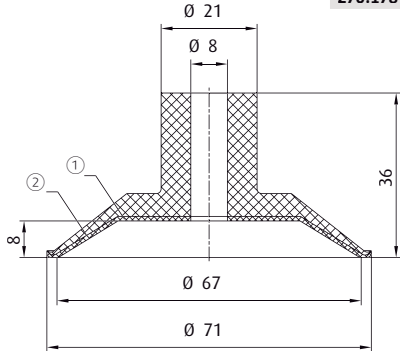
* When ordering please add the appropriate material code to item no. You will find it in the foldout.
Average holding forces for Vacuum cups you will find on page 760



Vacuum cups by size | Flat vacuum cups by Ø

Ø 70 - 75 mm

	Connection	see page
270.132	G1/8-male	417
270.114	G1/8-female	422
270.208	G1/4-male	425
270.178	G1/4-female	431



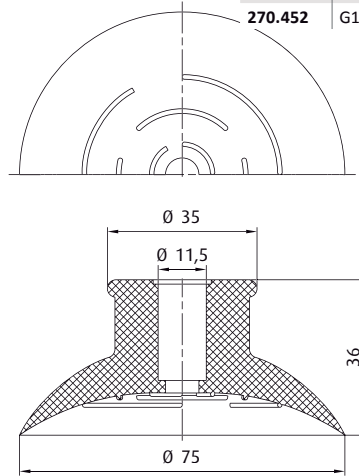
NON-MARKING!
TEMP. MAX. 500 °C

① = Felt pads ② = For silicone vacuum cups with silicone membranes: evaporated aluminium layer

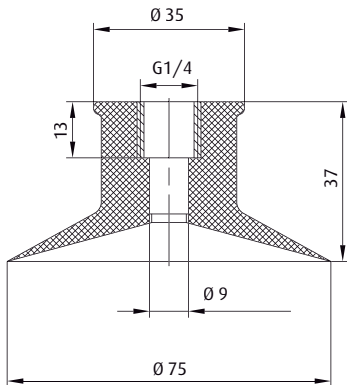
Item no. 26.070.011.*	Material SI (tr/ge)	7 mm
---------------------------------	-------------------------------	------

Additional sizes available are found on p. 164.

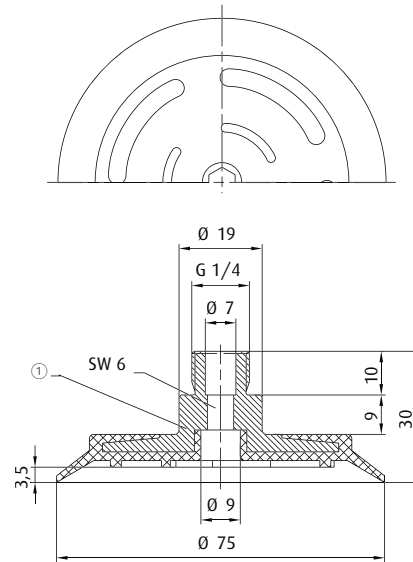
	Connection	see page
270.177	M10-male	416
270.451	G1/4-male	426
270.452	G1/4-female	431



Item no. 114.075.012.*	Material NR (br)	3.5 mm
----------------------------------	----------------------------	--------



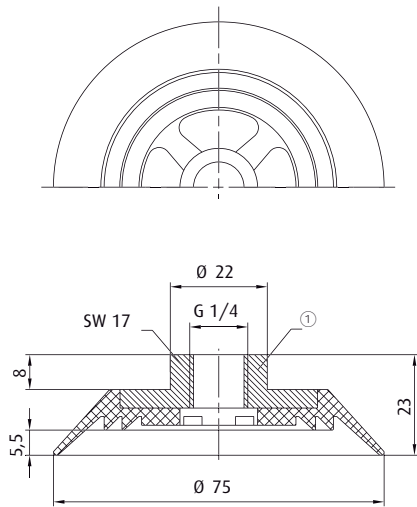
Item no. 120.075.075.*	Material NR (bg)	3 mm
----------------------------------	----------------------------	------



① = Aluminium

Item no. 103.075.025.*	Material Vulkollan® (br)	3.5 mm
----------------------------------	------------------------------------	--------

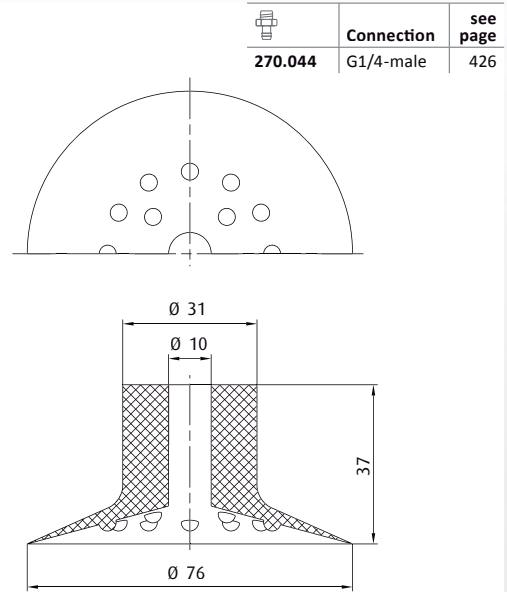
* When ordering please add the appropriate material code to item no. You will find it in the foldout.
Average holding forces for Vacuum cups you will find on page 760



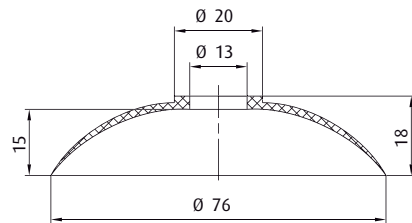
① = Aluminium

Item no. 150.075.033.*	Material SI (r), FKM (sw), CR (sw)	6 mm
----------------------------------	--	------

Additional sizes available are found on p. 68.



Item no. 102.075.275.*	Material NR (br)	3 mm
----------------------------------	----------------------------	------



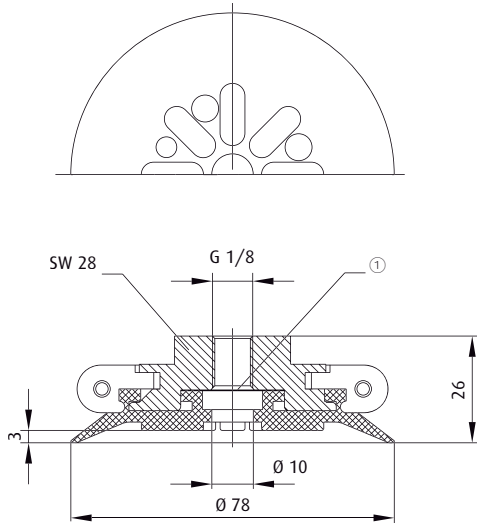
Item no. 102.076.263.*	Material Vinyl (bl)	9 mm
----------------------------------	-------------------------------	------

* When ordering please add the appropriate material code to item no. You will find it in the foldout.
Average holding forces for Vacuum cups you will find on page 760



Vacuum cups by size | Flat vacuum cups by \varnothing

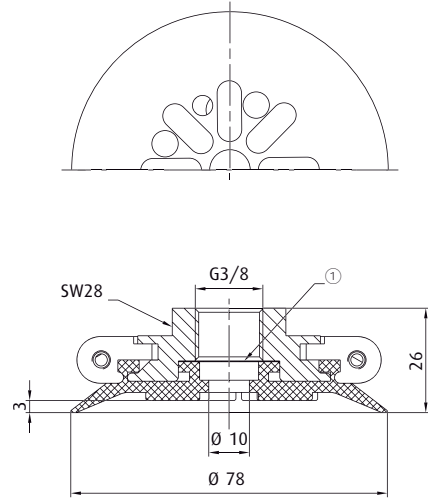
\varnothing 78 mm



① = Filter screen

Item no. 152.078.133.* **Material** Tepuflex® (or), SI (tr), CR (sw) 3 mm

Additional sizes available are found on p. 47.



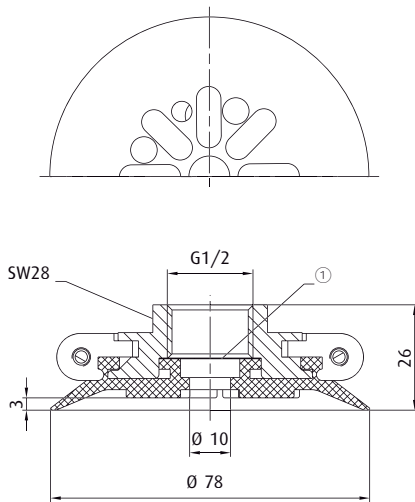
① = Filter screen

Item no. 152.078.136.* **Material** Tepuflex® (or), SI (tr), CR (sw) 3 mm

Additional sizes available are found on p. 47.

Spare cup

Spare cup

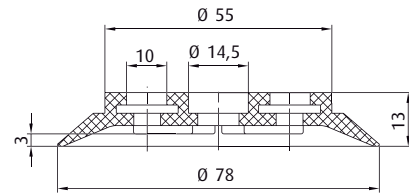
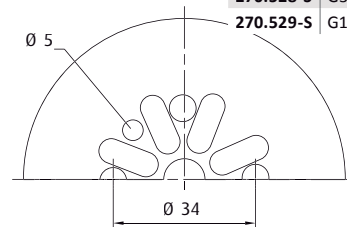


① = Filter screen

Item no. 152.078.139.* **Material** Tepuflex® (or), SI (tr), CR (sw) 3 mm

Additional sizes available are found on p. 47.

Spare cup

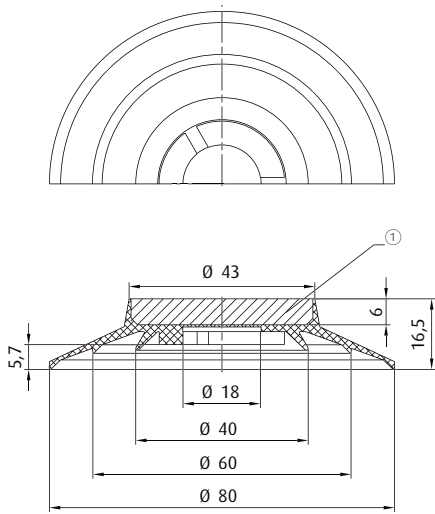


Item no. 154.078.027.* **Material** Tepuflex® (or), SI (tr), CR (sw) 3 mm

Additional sizes available are found on p. 42.

	Connection	see page
	270.527-S G1/8-female	424
	270.528-S G3/8-female	436
	270.529-S G1/2-female	436

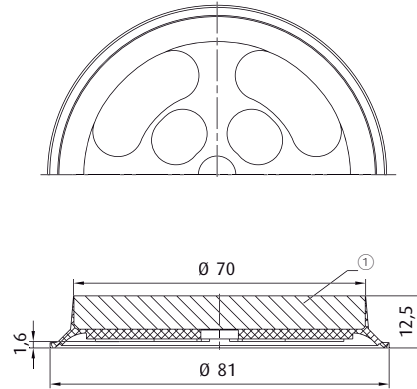
* When ordering please add the appropriate material code to item no. You will find it in the foldout. Average holding forces for Vacuum cups you will find on page 760



① = Steel

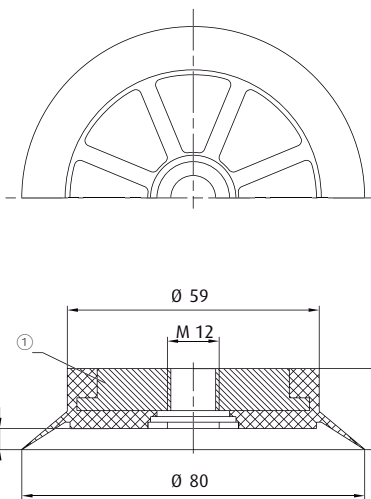
Item no.
104.080.078._* **Material**
SBR (br) 4.5 mm

Notes: Use: Picking up products of varying sizes



① = Steel

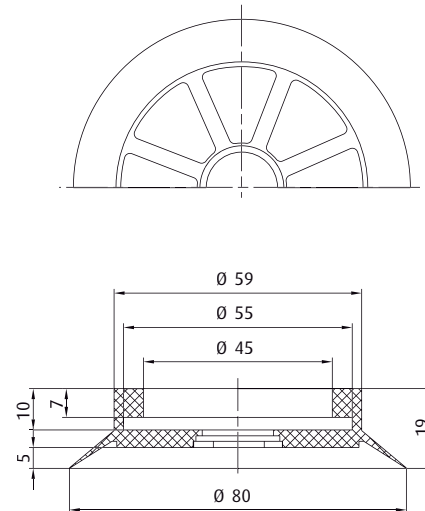
Item no.
152.080.069._* **Material**
SBR (sw) 1 mm



① = Aluminium

Item no.
152.080.083._* **Material**
NBR (sw), SI (tr), NR (sw) 6 mm

Spare cup



Item no.
154.080.055._* **Material**
NBR (sw), SI (tr), NR (sw) 6 mm

Connection	see page
270.338 M12x1.75-female	438

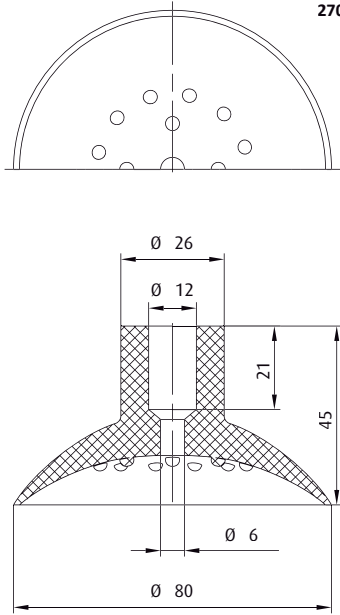
* When ordering please add the appropriate material code to item no. You will find it in the foldout.
Average holding forces for Vacuum cups you will find on page 760



Vacuum cups by size | Flat vacuum cups by \varnothing

\varnothing 80 - 83 mm

	Connection	see page
270.049-1	G1/4-male	426

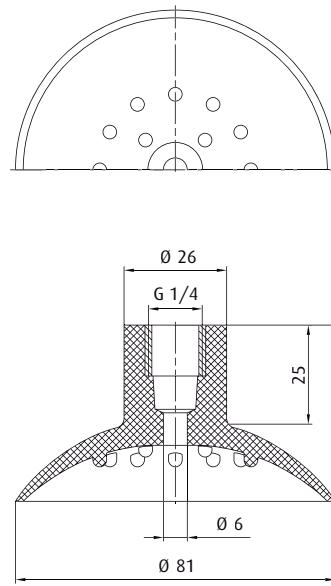


Item no.
114.080.020.*

Material
NR (sw)

 9 mm

This vacuum cup is also available in the following dimensions: 100 mm




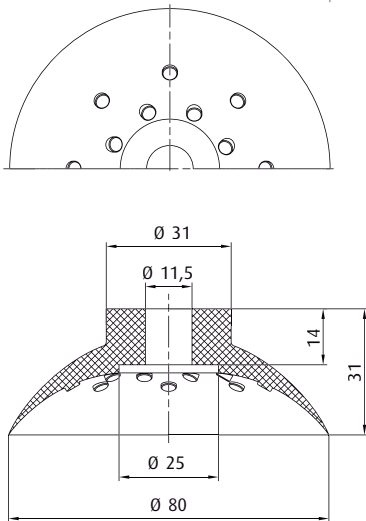
Item no.
110.080.095.*

Material
SI (tr), NR (sw)

 10 mm

This vacuum cup is also available in the following dimensions: 43 mm, 50 mm, 62 mm, 100 mm

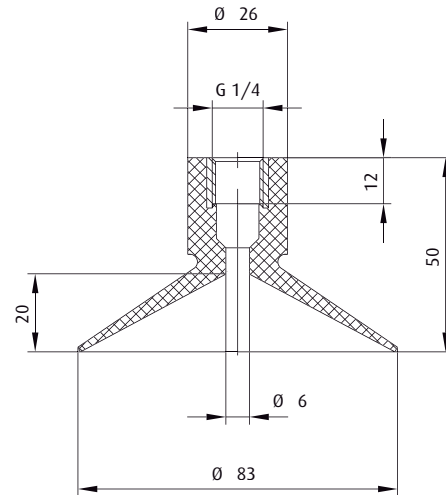
	Connection	see page
270.042	G1/4-male	431



Item no.
114.080.021.*


Material
NR (br)

 9 mm



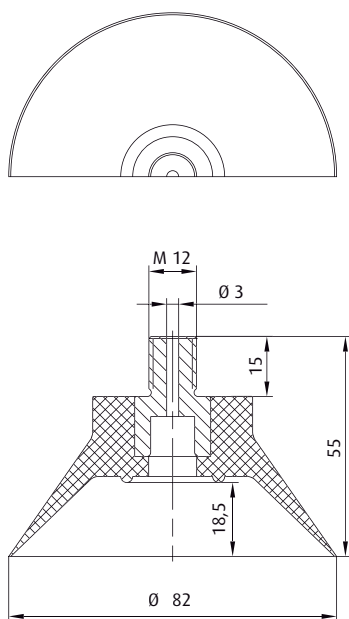
Item no.
120.080.052.*

Material
SI (tr), NR (sw)

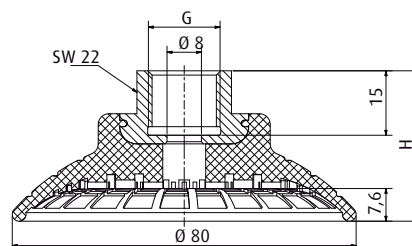
 12 mm

This vacuum cup is also available in the following dimensions: 42 mm, 53 mm, 62 mm

* When ordering please add the appropriate material code to item no. You will find it in the foldout.
Average holding forces for Vacuum cups you will find on page 760

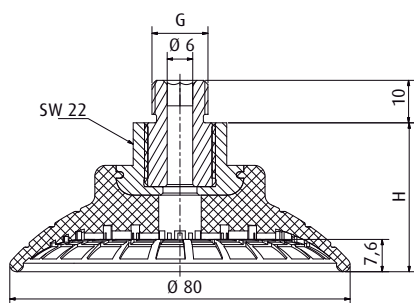


Item no. 120.082.063._*	Material NR (sw)	18.5 mm
-----------------------------------	----------------------------	---------



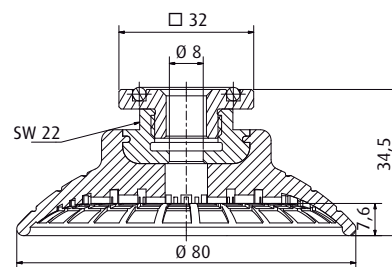
Item no.	Material	[mm]	Connection thread	H [mm]
103.080.055._*	NBR (bl)	7.6	G1/4-female	40
103.080.056._*	NBR (bl)	7.6	G3/8-female	35

Additional sizes available are found on p. 64.



Item no.	Material	[mm]	Connection thread	H [mm]
103.080.054._*	NBR (bl)	7.6	G1/4-male	35
103.080.057._*	NBR (bl)	7.6	M10-male	35
103.080.058._*	NBR (bl)	7.6	M14x1.5-male	35

Additional sizes available are found on p. 64.



Item no. 103.080.059._*	Material NBR (bl)	7.6 mm
-----------------------------------	-----------------------------	--------



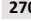
Additional sizes available are found on p. 64.

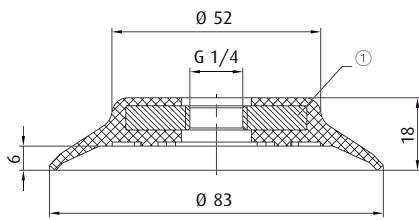
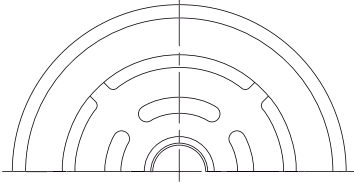
* When ordering please add the appropriate material code to item no. You will find it in the foldout.
Average holding forces for Vacuum cups you will find on page 760




Vacuum cups by size | Flat vacuum cups by \varnothing

\varnothing 83 - 87 mm

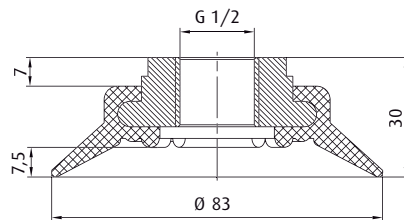
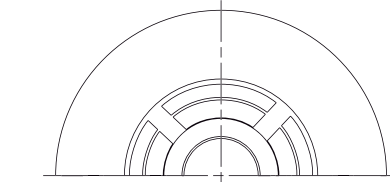
	Connection	see page
	M10x1.25-female	752
	G1/4-male	750





① = Aluminium

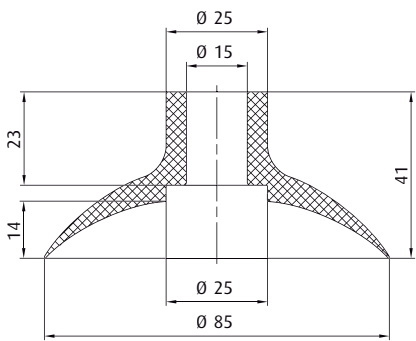
Item no. 102.080.304._*	Material NBR (sw), SI (tr), PU (bl)	 6 mm
--	---	--


Additional sizes available are found on p. 32.






Item no. 100.083.060._*	Material Vinyl (bl)	 7.5 mm
--	-------------------------------	--

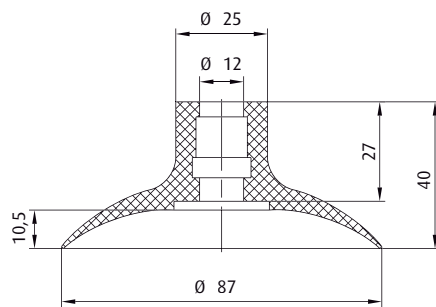
	Connection	see page
	G1/4-male	431



Item no. 112.085.102._*	Material NBR (sw), SI (tr), NR (sw)	 12 mm
--	---	---

Additional sizes available are found on p. 52.

	Connection	see page
	M12x1.75-female	438
	G1/4-male	426

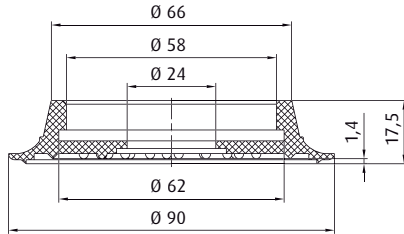


Item no. 112.087.089._*	Material NR (sw)	 9 mm
--	----------------------------	--

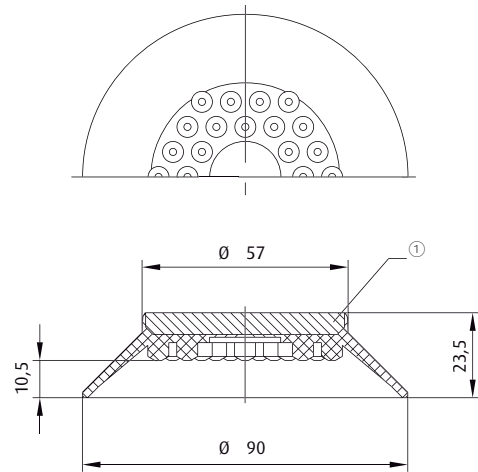
* When ordering please add the appropriate material code to item no. You will find it in the foldout.
Average holding forces for Vacuum cups you will find on page 760



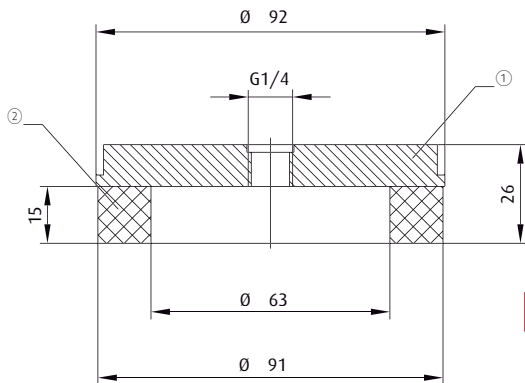
	Connection	see page
270.158	G1/8-female	438
270.264	G1/4-female	438
270.161	G3/8-female	438
270.286	G1/2-female	438



Item no. 154.090.010.* **Material** SI (tr), NR (sw) **1.5 mm**

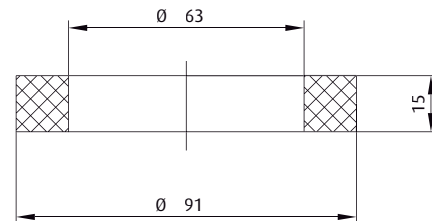


① = Steel **Item no.** 152.090.089.* **Material** SBR (br) **11 mm**



① = Aluminium ② = Sponge rubber NR **Item no.** 206.092.007.* **Material** Sponge rubber (or) **10 mm**

Spare cup



Item no. 208.092.002.* **Material** Sponge rubber (or) **10 mm**

This vacuum cup is also available in the following dimensions: 64 mm

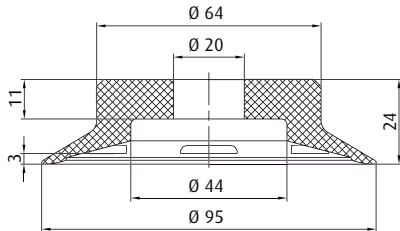
* When ordering please add the appropriate material code to item no. You will find it in the foldout. Average holding forces for Vacuum cups you will find on page 760



Vacuum cups by size | Flat vacuum cups by \varnothing

\varnothing 95 - 100 mm

	Connection	see page
270.100	G1/4-male	431

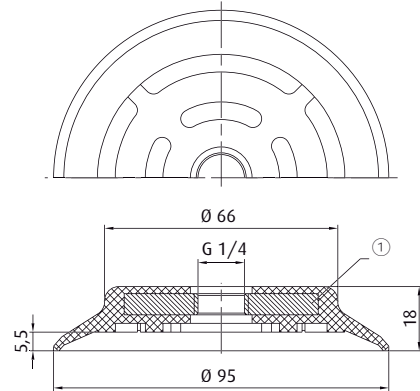


Item no.
102.095.182.*

Material
NR (bg)

2.5 mm

	Connection	see page
270.090	M10x1.25-female	752
270.120	G1/4-male	750



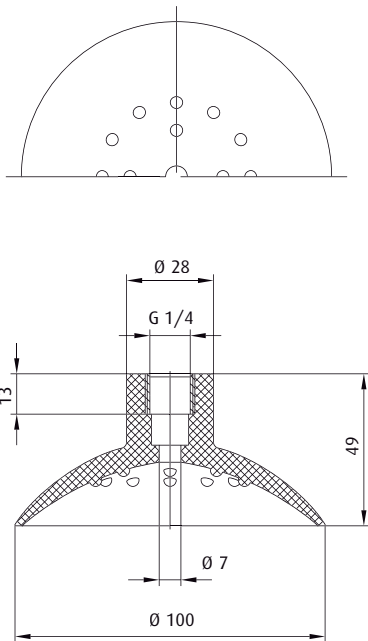
① = Aluminium

Item no.
102.095.305.*

Material
NBR (sw), SI (tr), PU (bl)

6 mm

Additional sizes available are found on p. 32.

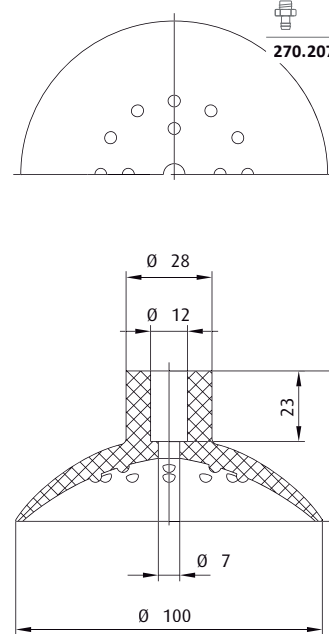


Item no.
110.100.103.*

Material
NBR (sw)

13 mm

This vacuum cup is also available in the following dimensions: 43 mm, 50 mm, 62 mm, 81 mm



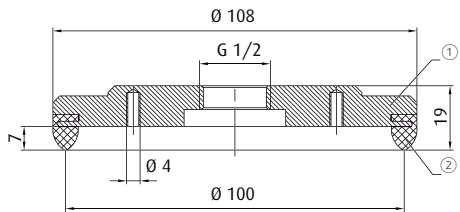
Item no.
114.100.022.*

Material
NR (sw)

13 mm

This vacuum cup is also available in the following dimensions: 80 mm

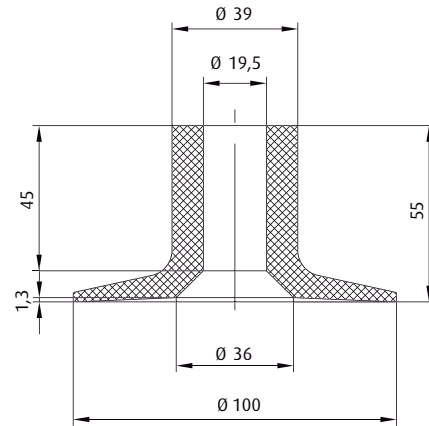
* When ordering please add the appropriate material code to item no. You will find it in the foldout.
Average holding forces for Vacuum cups you will find on page 760



① = Aluminium ② = EPDM foamed

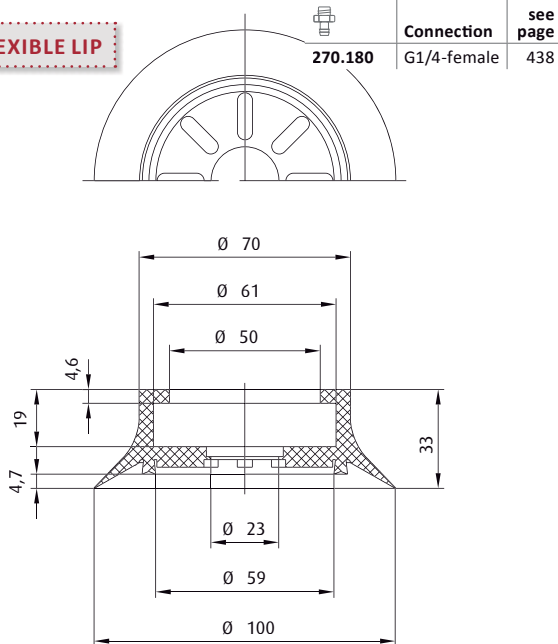
Item no. 160.107.006.*	Material EPDM (sw)	1 mm
----------------------------------	------------------------------	------

Additional sizes available are found on p. 72.
Notes: Foam sealing lip equalises product unevenness



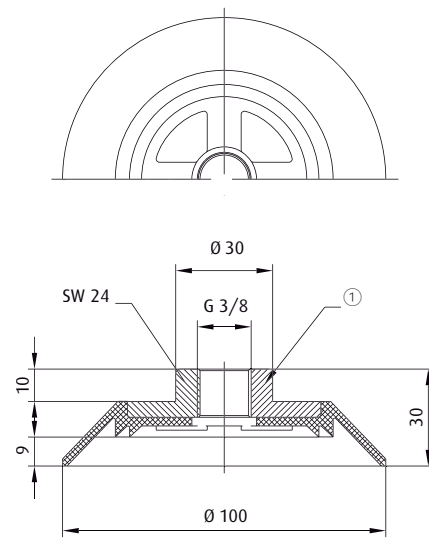
Item no. 102.100.100.*	Material NR (bg)	0.5 mm
----------------------------------	----------------------------	--------

FLEXIBLE LIP



Item no. 102.100.269.*	Material SBR (br), NBR (gr), NR (br)	5 mm
----------------------------------	--	------

Additional sizes available are found on p. 66.



① = Aluminium

Item no. 150.100.034.*	Material NBR (sw), SI (tr), NR (w)	9 mm
----------------------------------	--	------

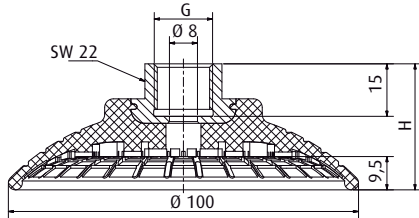
Additional sizes available are found on p. 68.

* When ordering please add the appropriate material code to item no. You will find it in the foldout.
Average holding forces for Vacuum cups you will find on page 760



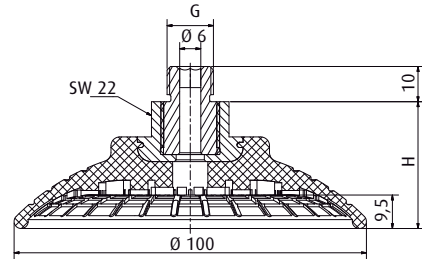
Vacuum cups by size | Flat vacuum cups by \varnothing

\varnothing 100 mm



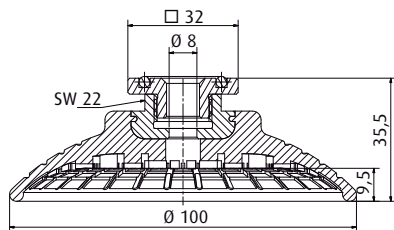
Item no.	Material	[mm]	Connection thread	H [mm]
103.100.061.*	NBR (bl)	9.5	G1/4-female	41
103.100.062.*	NBR (bl)	9.5	G3/8-female	36

Additional sizes available are found on p. 64.



Item no.	Material	[mm]	Connection thread	H [mm]
103.100.060.*	NBR (bl)	9.5	G1/4-male	36
103.100.063.*	NBR (bl)	9.5	M10-male	36
103.100.064.*	NBR (bl)	9.5	M14x1.5-male	36

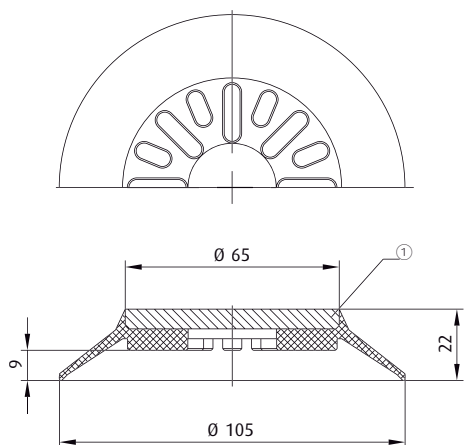
Additional sizes available are found on p. 64.



Item no.	Material	[mm]
103.100.065.*	NBR (bl)	9.5 mm

Additional sizes available are found on p. 64.

* When ordering please add the appropriate material code to item no. You will find it in the foldout.
Average holding forces for Vacuum cups you will find on page 760



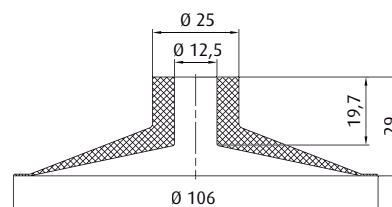
① = Steel

Item no.
152.105.094.*

Material
NBR (gr)

9 mm

Ordering notes: Customised drilling patterns on request

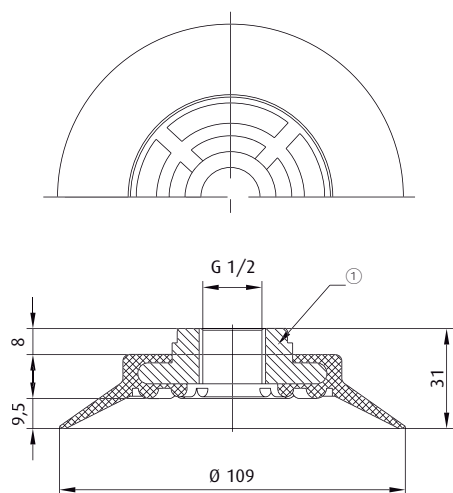


Item no.
107.105.035.*

Material
NR (br)

8.5 mm

	Connection	see page
270.141	G1/4-male	430



① = Aluminium

Item no.
100.109.059.*

Material
Vinyl (bl)

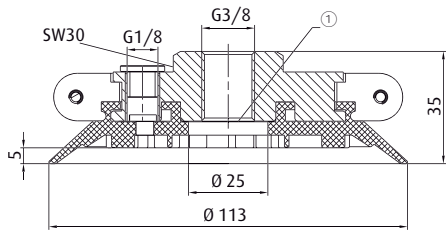
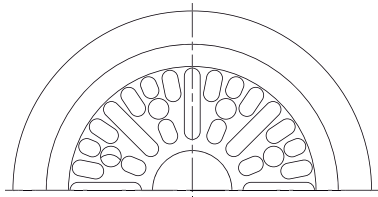
9.5 mm

* When ordering please add the appropriate material code to item no. You will find it in the foldout.
Average holding forces for Vacuum cups you will find on page 760



Vacuum cups by size | Flat vacuum cups by \varnothing

\varnothing 113 - 114 mm

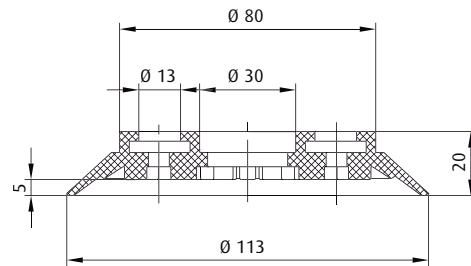
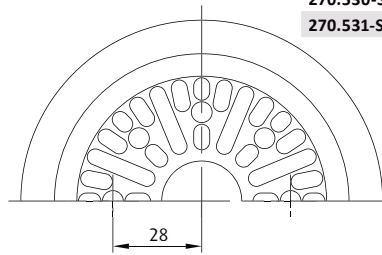


① = Filter screen

Item no.
152.113.134.* **Material**
Tepuflex® (or), SI (tr), CR (sw) 5 mm

Additional sizes available are found on p. 47.

Spare cup

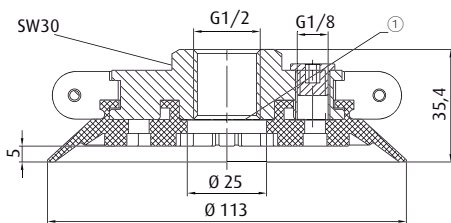
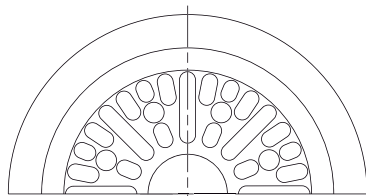


Item no.
154.113.028.* **Material**
Tepuflex® (or), SI (tr), CR (sw) 5 mm

Additional sizes available are found on p. 42.

	Connection	see page
	G3/8-female	437
	G1/2-female	437

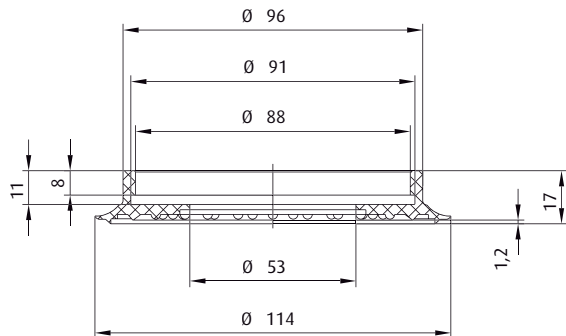
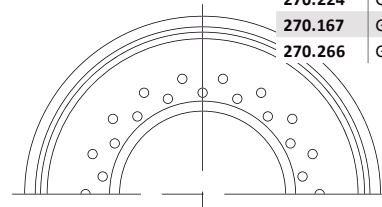
Spare cup



① = Filter screen

Item no.
152.113.137.* **Material**
Tepuflex® (or), SI (tr), CR (sw) 5 mm

Additional sizes available are found on p. 47.



Item no.
154.110.014.* **Material**
NBR (sw), SI (w) 1.5 mm

Additional sizes available are found on p. 70.

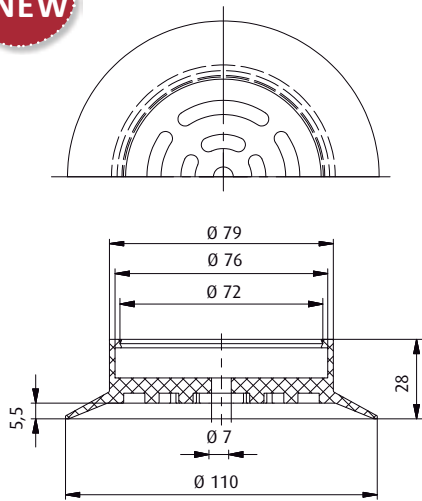
	Connection	see page
	G1/4-female	438
	G3/8-female	438
	G1/2-female	438

* When ordering please add the appropriate material code to item no. You will find it in the foldout.
Average holding forces for Vacuum cups you will find on page 760



NEW

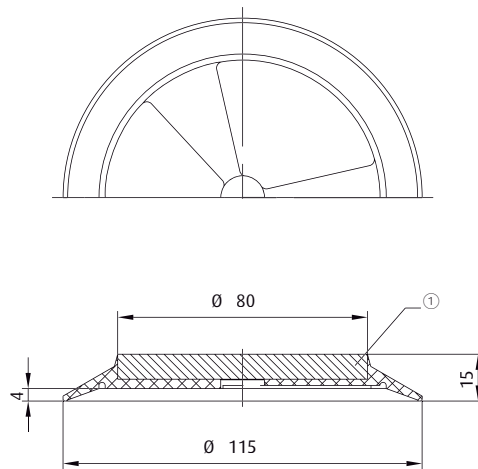
	Connection	see page
270.554	G1/4-female	434



Item no.
102.110.483.*

Material
NBR (sw)

5.5 mm



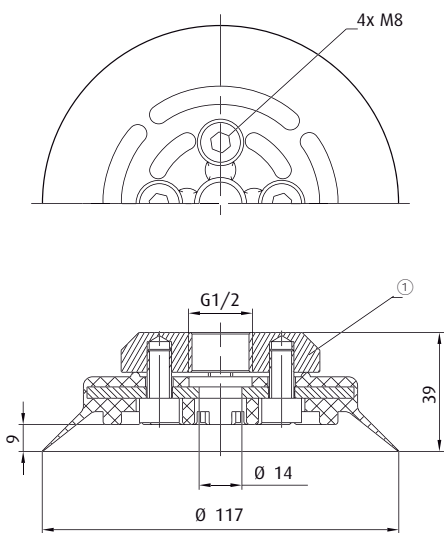
① = Steel

Item no.
152.115.095.*

Material
NBR (gr)

4 mm

Ordering notes: Customised drilling patterns on request



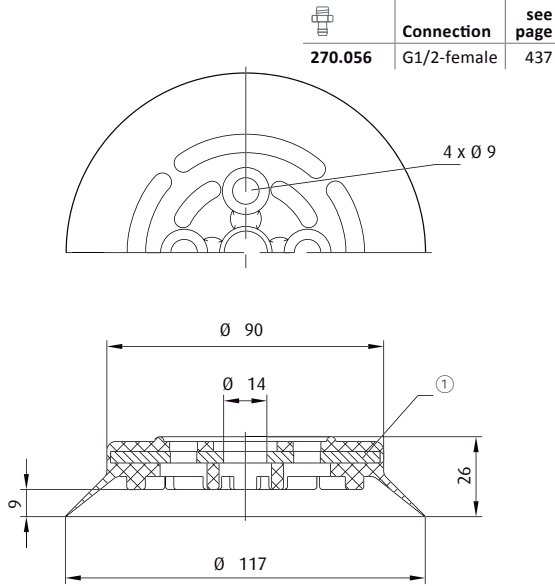
① = Aluminium

Item no.
152.120.017.*

Material
NBR (sw), SI (tr)

7 mm

Spare cup



① = Steel

Item no.
154.120.018.*

Material
NBR (sw), SI (tr)

7 mm

Additional sizes available are found on p. 32.

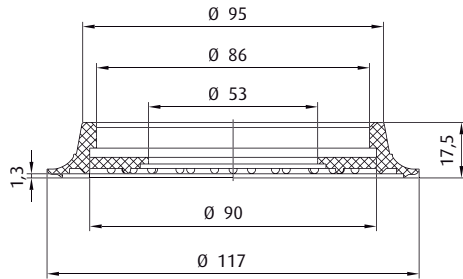
* When ordering please add the appropriate material code to item no. You will find it in the foldout.
Average holding forces for Vacuum cups you will find on page 760



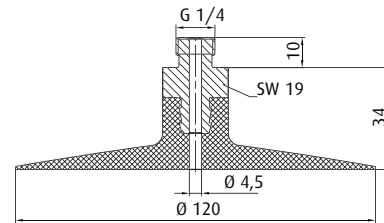
Vacuum cups by size | Flat vacuum cups by \varnothing

\varnothing 117 - 120 mm

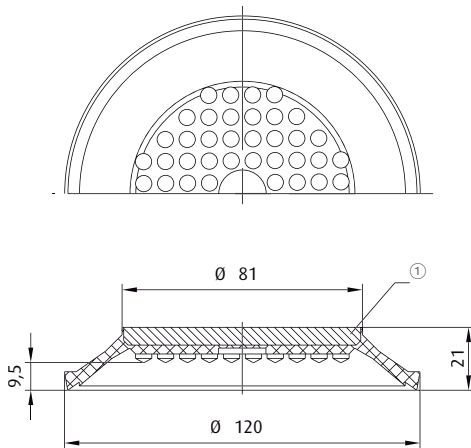
	Connection	see page
270.164	G1/8-female	438
270.224	G1/4-female	438
270.167	G3/8-female	438
270.266	G1/2-female	438



Item no. 154.120.017.* **Material** SI (tr), NR (sw), Vinyl (bl) 1.5 mm

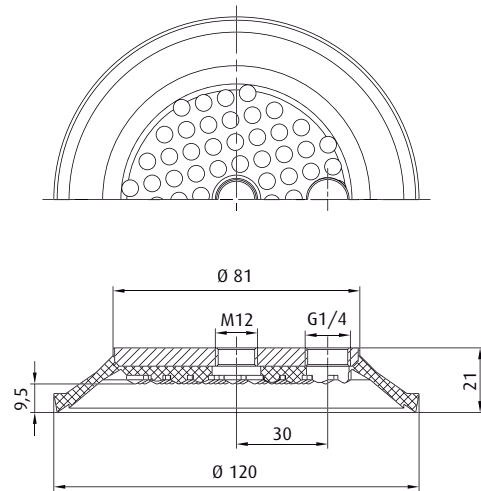


Item no. 100.120.036.* **Material** NBR (sw) 0.5 mm



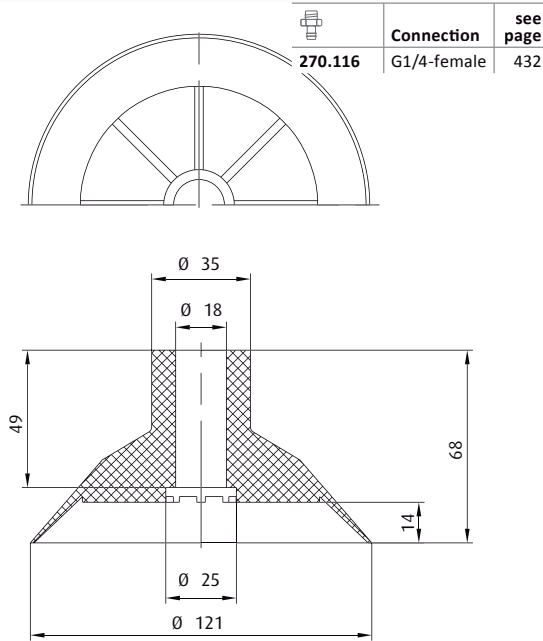
① = Steel
Item no. 152.120.064.* **Material** NBR (gr), NR (br) 11 mm

Ordering notes: Customised drilling patterns on request

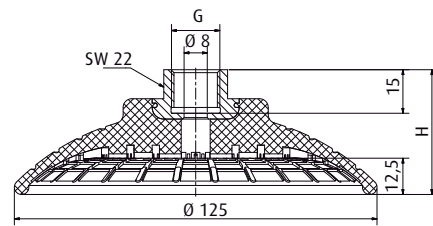


Item no. 152.120.115.* **Material** NBR (gr) 9.5 mm

* When ordering please add the appropriate material code to item no. You will find it in the foldout.
Average holding forces for Vacuum cups you will find on page 760

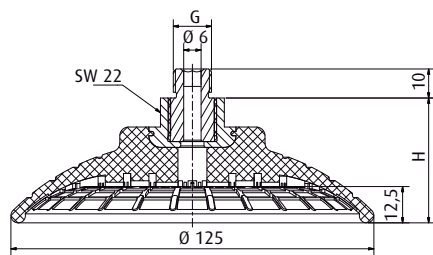


Item no. 108.120.006._*	Material NR (sw)	14 mm
-----------------------------------	----------------------------	-------



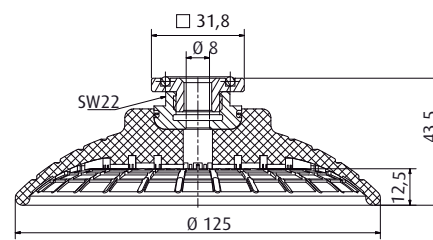
Item no.	Material	[mm]	Connection thread	H [mm]
103.125.067._*	NBR (bl)	12.5	G1/4-female	48
103.125.068._*	NBR (bl)	12.5	G3/8-female	43

Additional sizes available are found on p. 64.



Item no.	Material	[mm]	Connection thread	H [mm]
103.125.066._*	NBR (bl)	12.5	G1/4-male	43
103.125.069._*	NBR (bl)	12.5	M10-male	43
103.125.070._*	NBR (bl)	12.5	M14x1.5-male	43

Additional sizes available are found on p. 64.



Item no. 103.125.071._*	Material NBR (bl)	12.5 mm
-----------------------------------	-----------------------------	---------

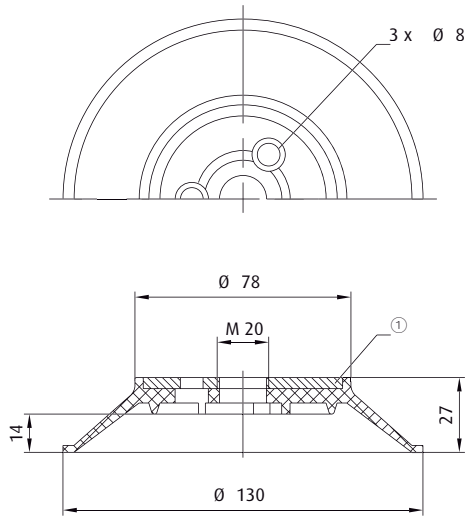
Additional sizes available are found on p. 64.

* When ordering please add the appropriate material code to item no. You will find it in the foldout.
Average holding forces for Vacuum cups you will find on page 760



Vacuum cups by size | Flat vacuum cups by Ø

Ø 130 - 137 mm

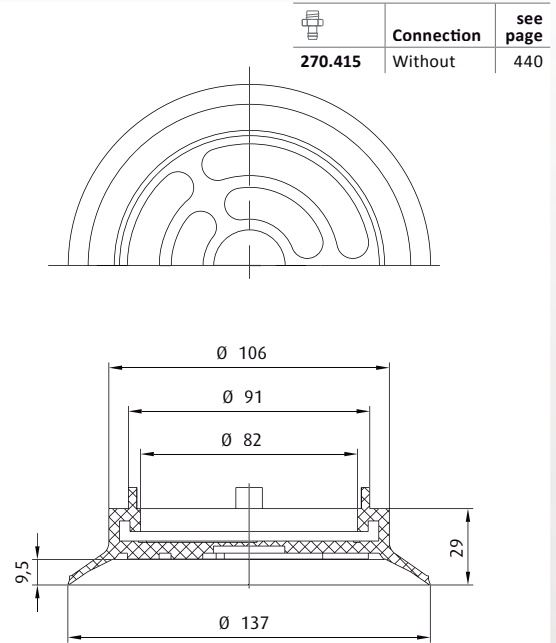


① = Steel

Item no.
100.130.058._*

Material
NR (sw)

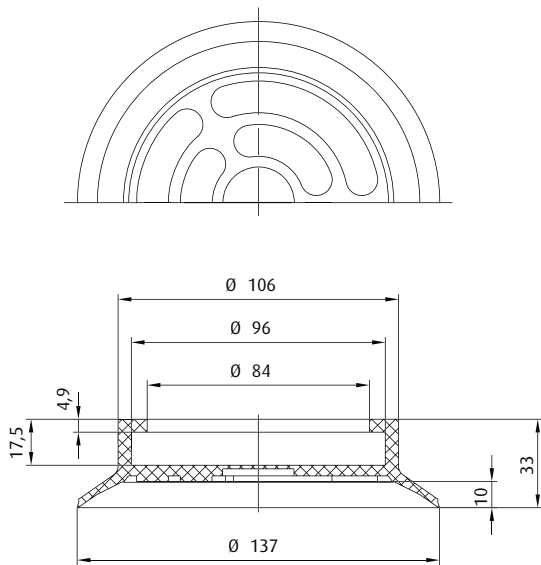
14 mm



Item no.
102.130.258._*

Material
SBR (sw)

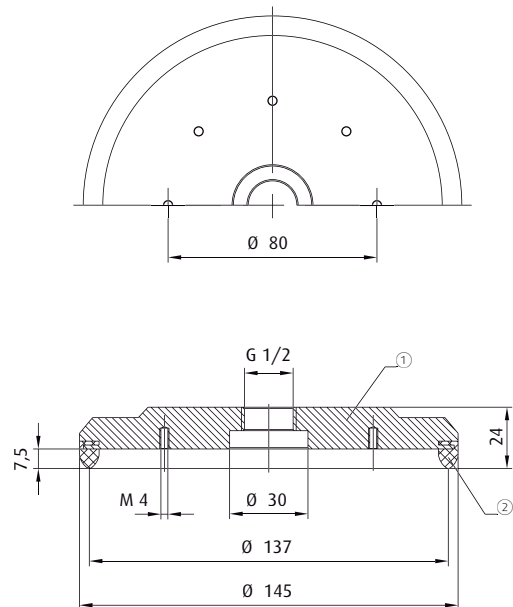
10 mm



Item no.
102.135.256._*

Material
NBR (gr), SBR (sw)

11 mm



① = Aluminium ② = EPDM foamed

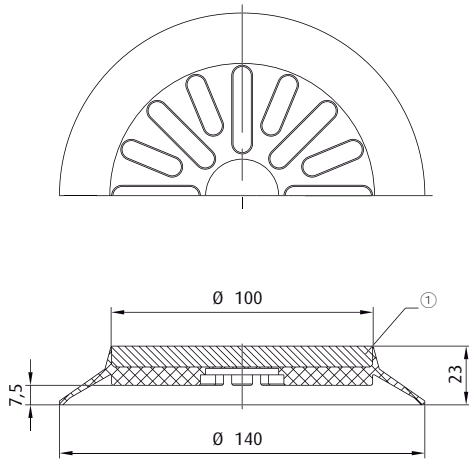
Item no.
160.145.014._*

Material
EPDM (sw)

1 mm

Additional sizes available are found on p. 72.
Notes: Foam sealing lip equalises product unevenness

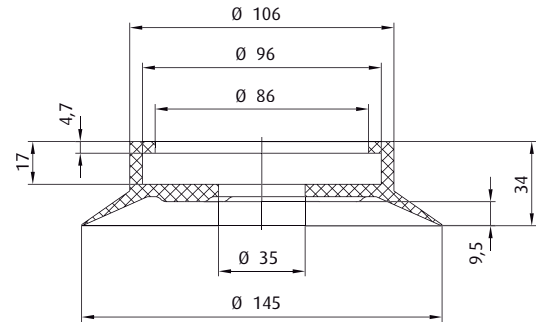
* When ordering please add the appropriate material code to item no. You will find it in the foldout.
Average holding forces for Vacuum cups you will find on page 760



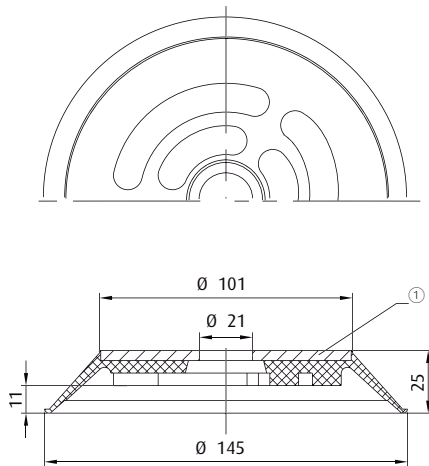
① = Steel

Item no. 152.140.096.*	Material NBR (gr)	8 mm
----------------------------------	-----------------------------	------

Ordering notes: Customised drilling patterns on request

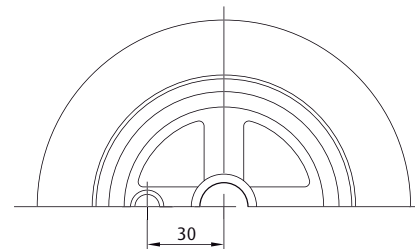


Item no. 102.145.257.*	Material NBR (gr), SBR (sw)	9 mm
----------------------------------	---------------------------------------	------



① = Aluminium

Item no. 152.145.045.*	Material NBR (sw), SI (tr)	11 mm
----------------------------------	--------------------------------------	-------



① = Aluminium ** = Vacuum connection at the side possible

Item no. 150.150.010.*	Material SI (gr), CR (gr)	9 mm
----------------------------------	-------------------------------------	------

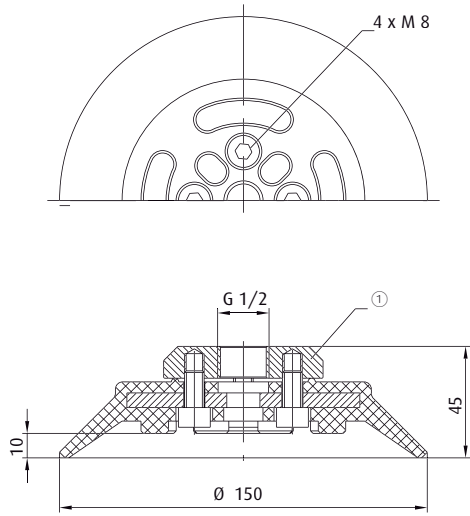
Additional sizes available are found on p. 68.

* When ordering please add the appropriate material code to item no. You will find it in the foldout.
Average holding forces for Vacuum cups you will find on page 760



Vacuum cups by size | Flat vacuum cups by \varnothing

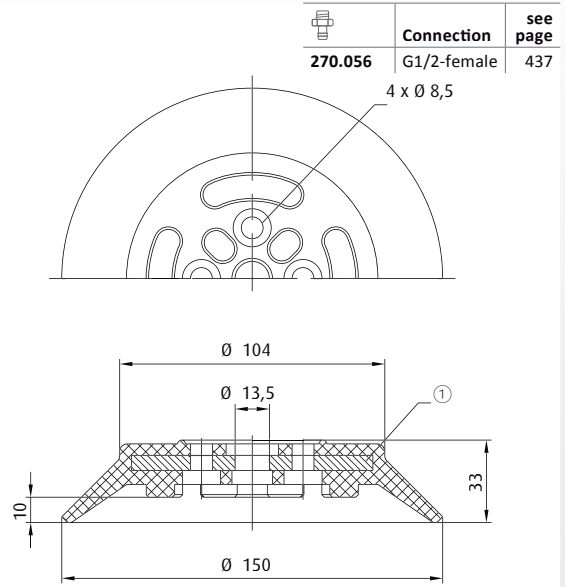
\varnothing 150 - 153 mm



① = Aluminium

Item no. 152.150.019.*	Material NBR (sw), SI (tr)	9 mm
----------------------------------	--------------------------------------	------

Spare cup

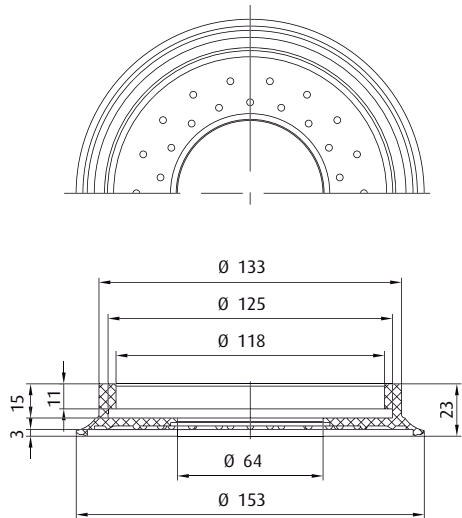


① = Steel

Item no. 154.150.020.*	Material NBR (sw), SI (tr)	9 mm
----------------------------------	--------------------------------------	------

Additional sizes available are found on p. 32.

	Connection	see page
270.171	G1/4-female	438
270.173	G3/8-female	438
270.268	G1/2-female	438




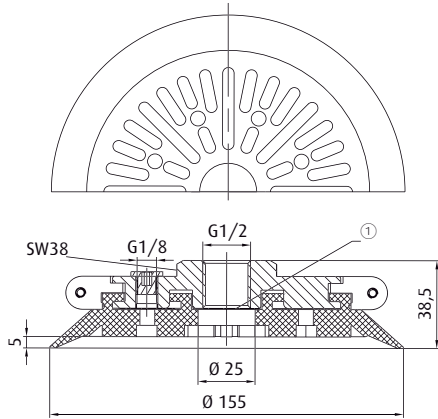
Item no. 154.150.021.*	Material NBR (sw), SI (w)	2 mm
----------------------------------	-------------------------------------	------

Additional sizes available are found on p. 70.

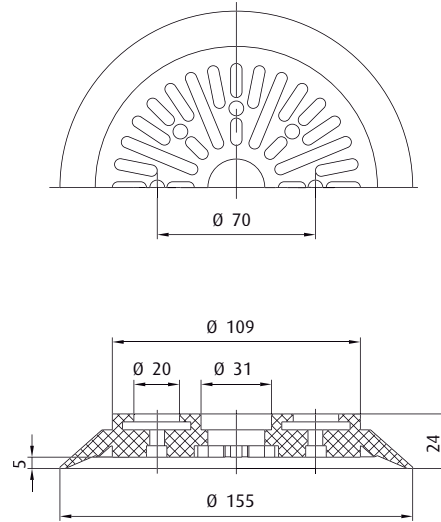
* When ordering please add the appropriate material code to item no. You will find it in the foldout.
Average holding forces for Vacuum cups you will find on page 760




	Connection	see page
270.532-S	G1/2-female	437
270.533-S	G3/4-female	437




Spare cup



① = Filter screen

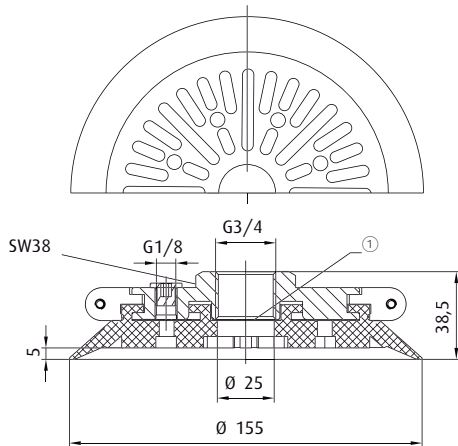
Item no. 152.155.135.* **Material** Tepuflex® (or), SI (tr), CR (sw)  5 mm

Additional sizes available are found on p. 47.

Item no. 154.155.026.* **Material** Tepuflex® (or), SI (tr), CR (sw)  5 mm

Additional sizes available are found on p. 42.

Spare cup



① = Filter screen

Item no. 152.155.138.* **Material** Tepuflex® (or), SI (tr), CR (sw)  5 mm

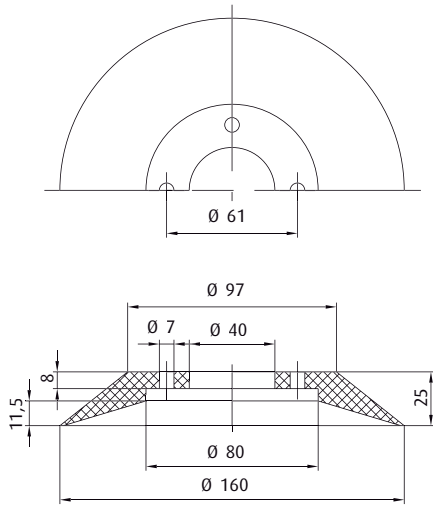
Additional sizes available are found on p. 47.

* When ordering please add the appropriate material code to item no. You will find it in the foldout. Average holding forces for Vacuum cups you will find on page 760



Vacuum cups by size | Flat vacuum cups by \varnothing

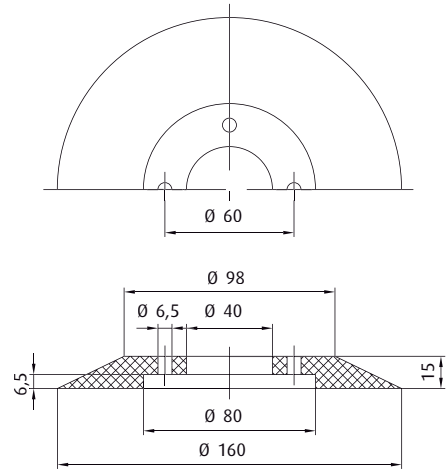
\varnothing 160 mm



Item no.
102.160.031.*

Material
SI (r), NR (gr)

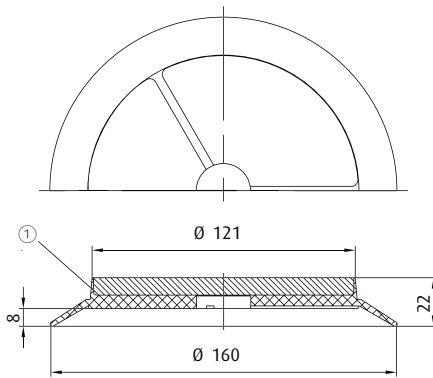
10 mm



Item no.
102.160.195.*

Material
SI (gr)

0 mm



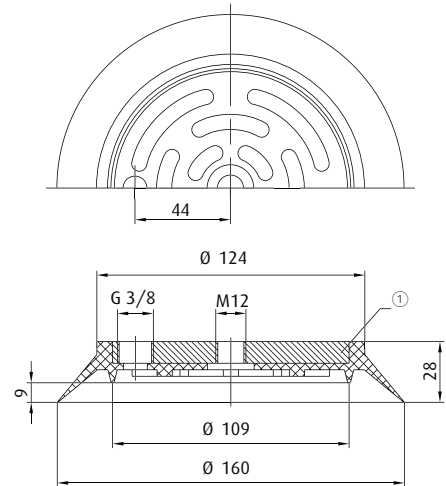
① = Steel

Item no.
152.160.097.*

Material
NBR (gr)

8 mm

Ordering notes: Customised drilling patterns on request



① = Steel

Item no.
152.160.127.*

Material
CR (sw)

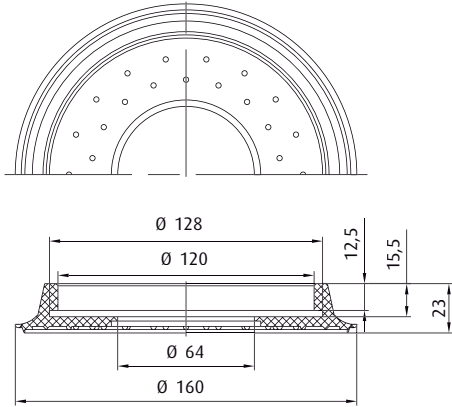
9 mm

Additional sizes available are found on p. 73.

* When ordering please add the appropriate material code to item no. You will find it in the foldout.
Average holding forces for Vacuum cups you will find on page 760



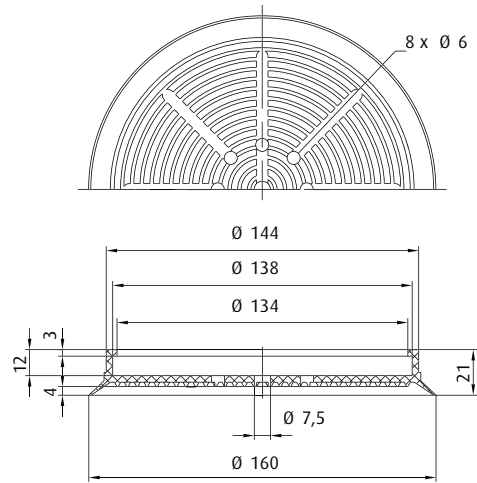
	Connection	see page
270.171	G1/4-female	438
270.173	G3/8-female	438
270.268	G1/2-female	438



Item no.
154.160.024.*

Material
SI (tr), NR (sw)

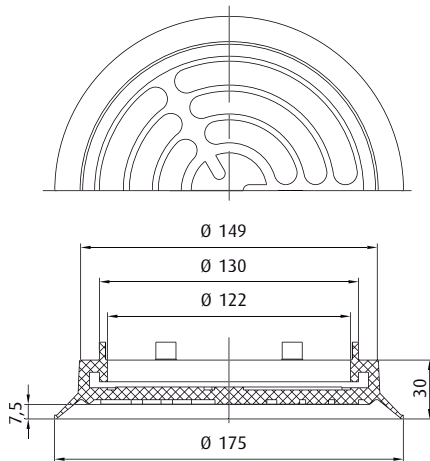
3 mm



Item no.
154.160.049.*

Material
NBR (gr), SI (tr)

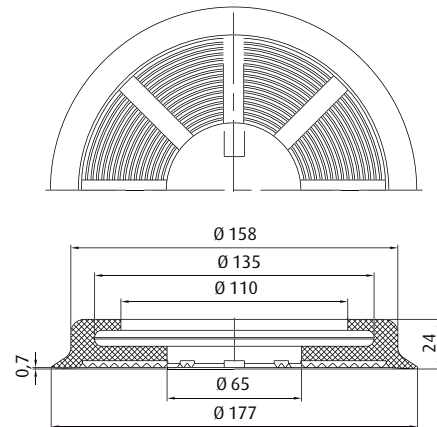
4.7 mm



Item no.
102.170.259.*

Material
SBR (sw), NR (bg)

7 mm



Item no.
154.177.053.*

Material
SI (tr)

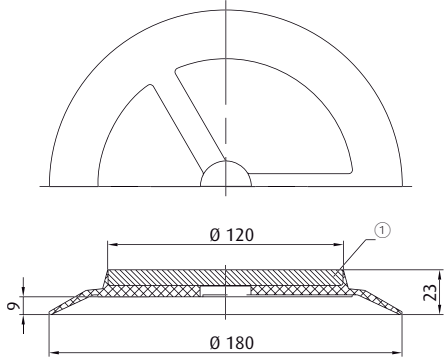
0.5 mm

* When ordering please add the appropriate material code to item no. You will find it in the foldout.
Average holding forces for Vacuum cups you will find on page 760



Vacuum cups by size | Flat vacuum cups by Ø

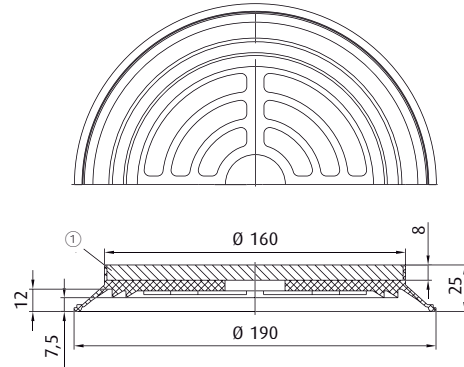
Ø 180 - 193 mm



① = Steel

Item no. 152.180.067.*	Material NBR (gr)	9 mm
----------------------------------	-----------------------------	------

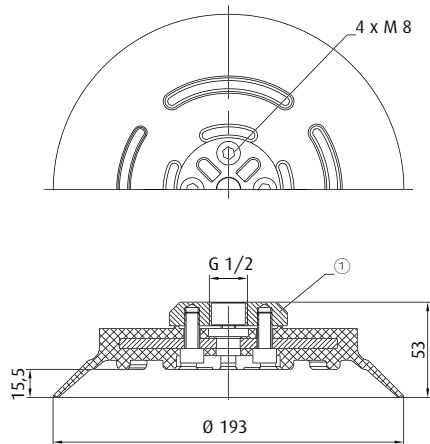
Ordering notes: Customised drilling patterns on request



① = Steel

Item no. 152.190.080.*	Material SBR (br), NBR (gr)	10 mm
----------------------------------	---------------------------------------	-------

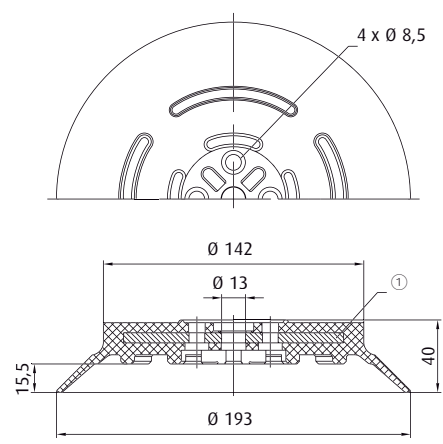
Ordering notes: Customised drilling patterns on request



① = Aluminium

Item no. 152.191.025.*	Material NBR (sw), SI (tr), PU (bl)	13 mm
----------------------------------	---	-------

Spare cup



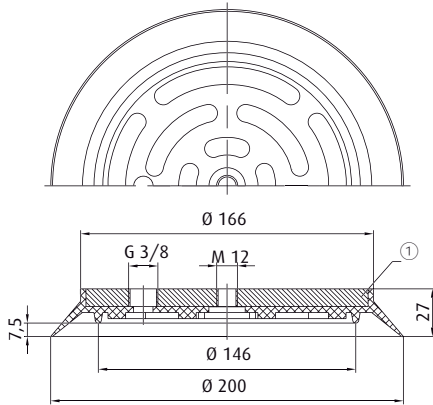
① = Steel

Item no. 154.191.025.*	Material NBR (sw), SI (tr), PU (bl)	13 mm
----------------------------------	---	-------

Additional sizes available are found on p. 32.

	Connection	see page
270.056	G1/2-female	437

* When ordering please add the appropriate material code to item no. You will find it in the foldout.
Average holding forces for Vacuum cups you will find on page 760

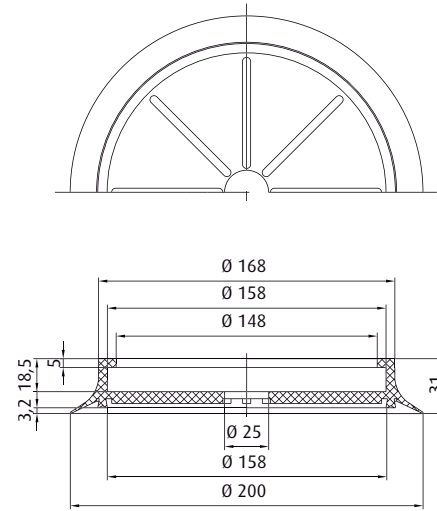


① = Steel

Item no.
152.200.128.* **Material**
CR (sw) 9 mm

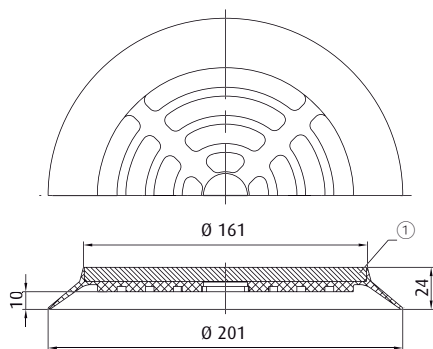
Additional sizes available are found on p. 73.

	Connection	see page
270.335	G1/2-female	438



Item no.
102.200.350.* **Material**
NR (w) 5 mm

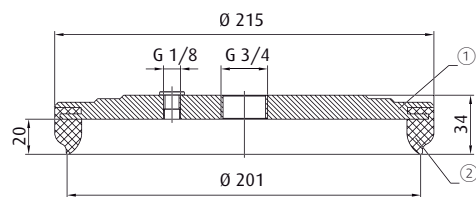
Additional sizes available are found on p. 66.



① = Steel

Item no.
150.190.015.* **Material**
NBR (gr) 11 mm

Ordering notes: Customised drilling patterns on request



① = Aluminium ② = EPDM foamed

Item no.
160.215.009.* **Material**
EPDM (sw) 2.5 mm

Additional sizes available are found on p. 72.
Notes: Foam sealing lip equalises product unevenness

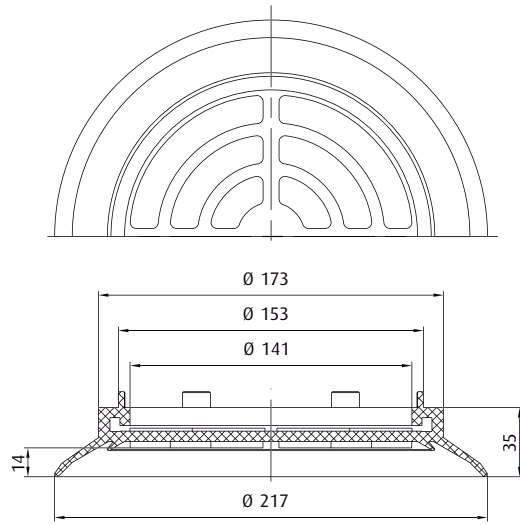
* When ordering please add the appropriate material code to item no. You will find it in the foldout.
Average holding forces for Vacuum cups you will find on page 760



Vacuum cups by size | Flat vacuum cups by \varnothing

\varnothing 217 - 223 mm

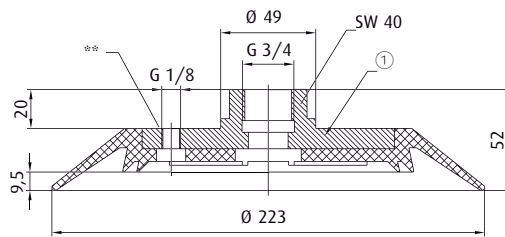
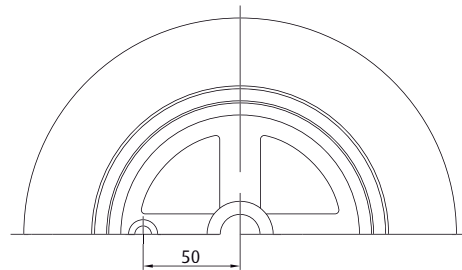
	Connection	see page
270.155	Without	440



Item no.
102.210.260._*

Material
SBR (sw)

14 mm



① = Aluminium ** = Vacuum connection at the side possible

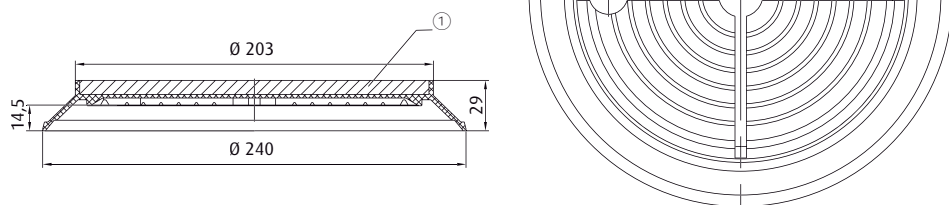
Item no.
150.225.018._*

Material
SI (gr), CR (gr)

9.5 mm

Additional sizes available are found on p. 68.

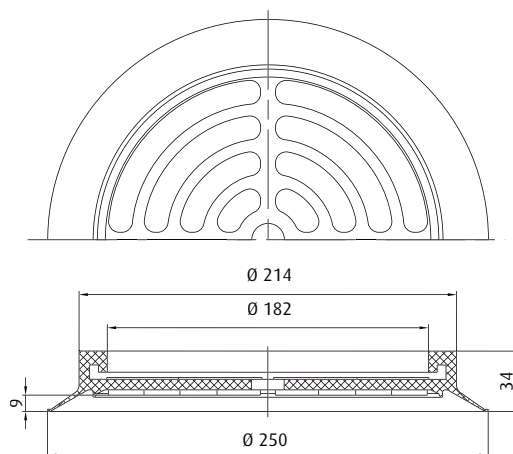
* When ordering please add the appropriate material code to item no. You will find it in the foldout.
Average holding forces for Vacuum cups you will find on page 760



① = Steel

Item no. 152.240.046._*	Material NBR (gr), SBR (sw)	14 mm	Ordering notes: Customised drilling patterns on request
-----------------------------------	---------------------------------------	-------	--

	Connection	see page
270.236	G1/2-female	440



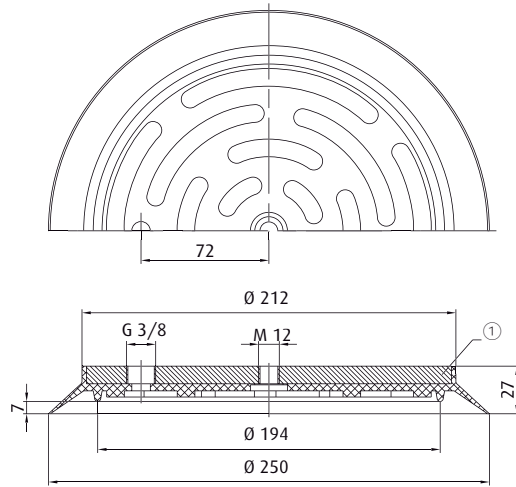
Item no. 102.250.261._*	Material SBR (sw)	8.5 mm
-----------------------------------	-----------------------------	--------

* When ordering please add the appropriate material code to item no. You will find it in the foldout.
Average holding forces for Vacuum cups you will find on page 760



Vacuum cups by size | Flat vacuum cups by Ø

Ø 250 mm



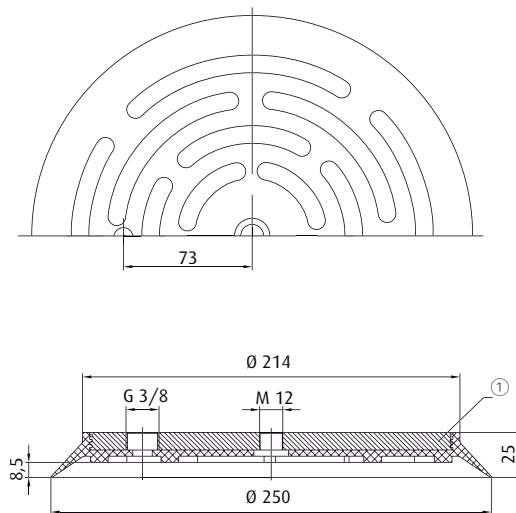
① = Steel

Item no.
152.250.129.*

Material
CR (sw)

9 mm

Additional sizes available are found on p. 73.



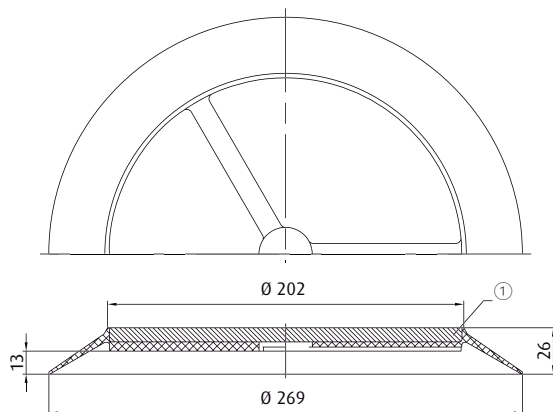
① = Steel

Item no.
152.250.031.*

Material
NBR (sw)

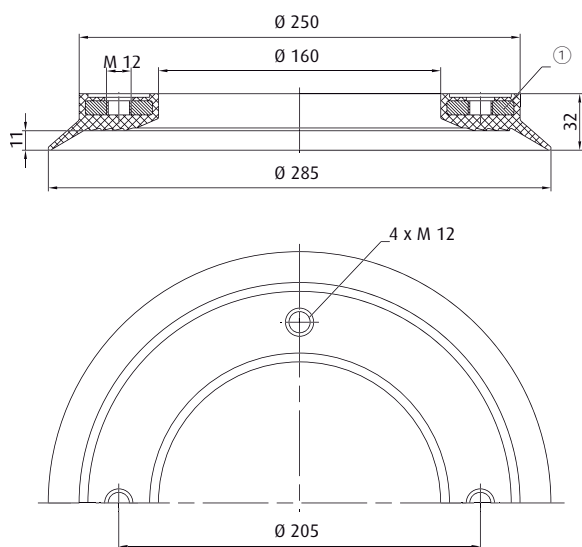
11 mm

* When ordering please add the appropriate material code to item no. You will find it in the foldout.
Average holding forces for Vacuum cups you will find on page 760



① = Steel

Item no. 152.260.068._*	Material NBR (gr)	13 mm	Ordering notes: Customised drilling patterns on request
-----------------------------------	-----------------------------	-------	--



① = Ring made of vulcanised ST37

Item no. 152.285.099._*	Material NBR (sw)	11 mm	Additional sizes available are found on p. 74.
-----------------------------------	-----------------------------	-------	--

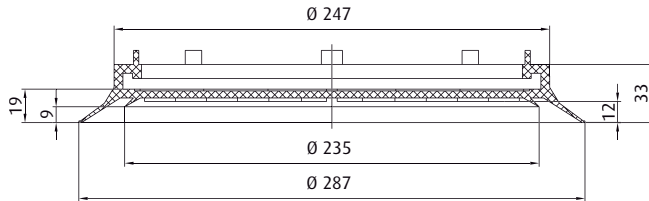
* When ordering please add the appropriate material code to item no. You will find it in the foldout.
Average holding forces for Vacuum cups you will find on page 760



Vacuum cups by size | Flat vacuum cups by Ø

Ø 287 - 300 mm

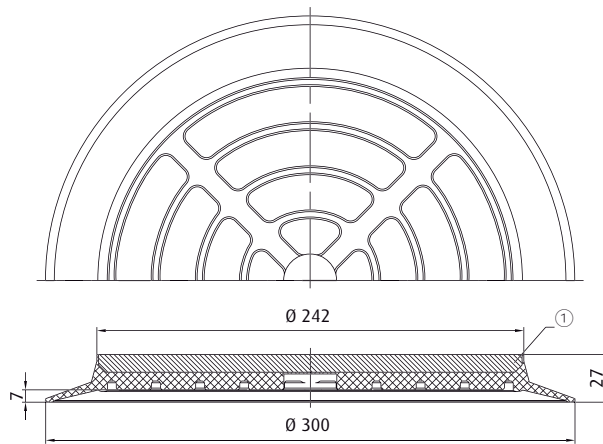
	Connection	see page
270.535	Without	440



Item no.
102.290.262.*

Material
SBR (sw)

15 mm



① = Steel

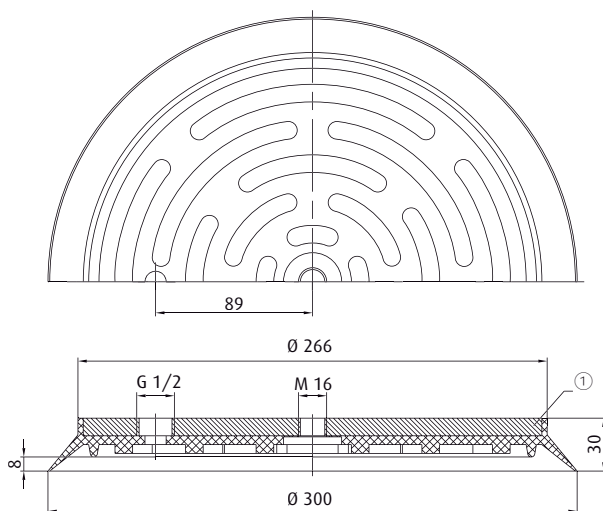
Item no.
152.300.098.*

Material
NBR (gr)

7 mm

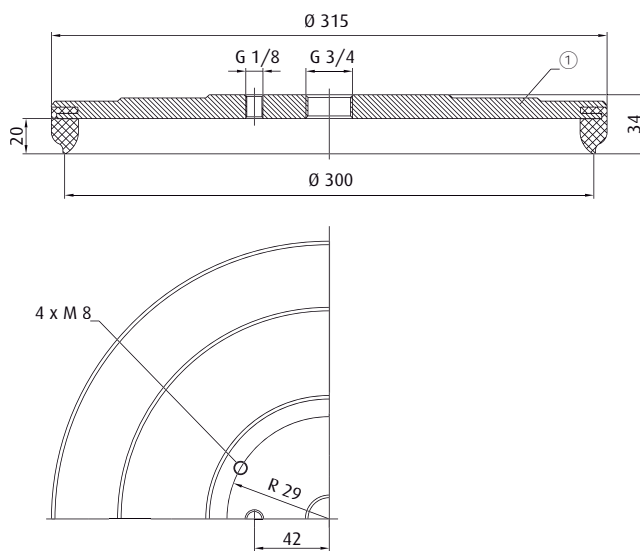
Ordering notes: Customised drilling patterns on request

* When ordering please add the appropriate material code to item no. You will find it in the foldout.
Average holding forces for Vacuum cups you will find on page 760



① = Steel

Item no. 152.300.130._*	Material NBR (sw)	12 mm	Additional sizes available are found on p. 73.
--	-----------------------------	-------	--



① = Aluminium

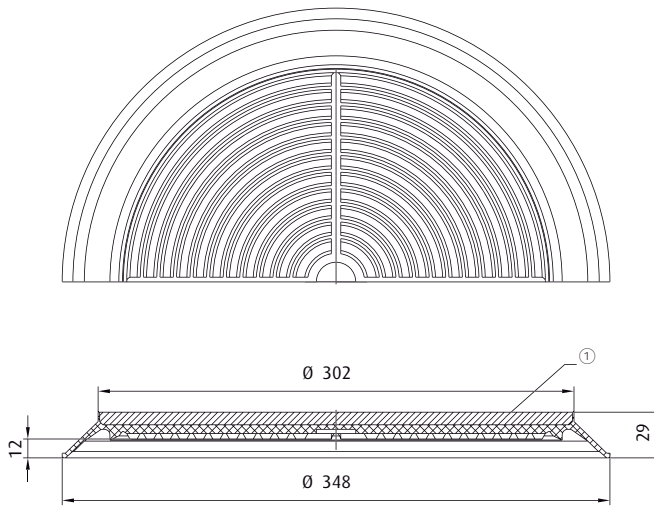
Item no. 160.315.012._*	Material EPDM (sw)	2.5 mm	Additional sizes available are found on p. 72. Notes: Foam sealing lip equalises product unevenness
--	------------------------------	--------	---

* When ordering please add the appropriate material code to item no. You will find it in the foldout.
 Average holding forces for Vacuum cups you will find on page 760



Vacuum cups by size | Flat vacuum cups by Ø

Ø 348 - 350 mm



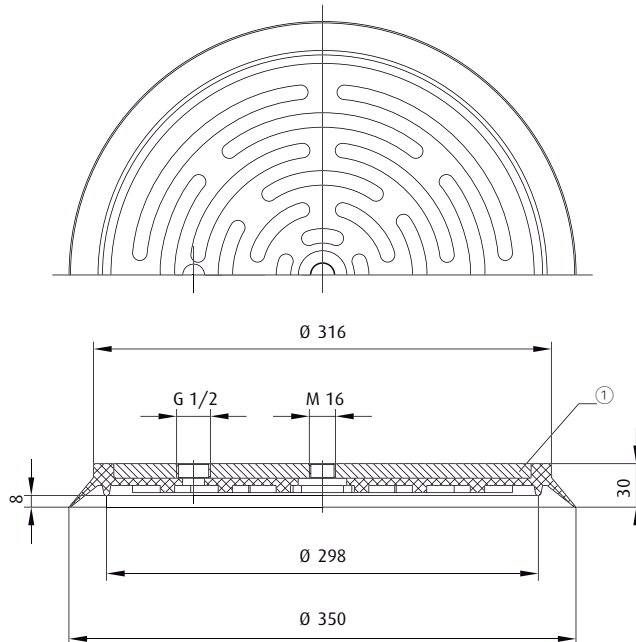
① = Steel

Item no.
150.340.030.*

Material
NBR (gr)

15 mm

Ordering notes: Customised drilling patterns on request



① = Steel

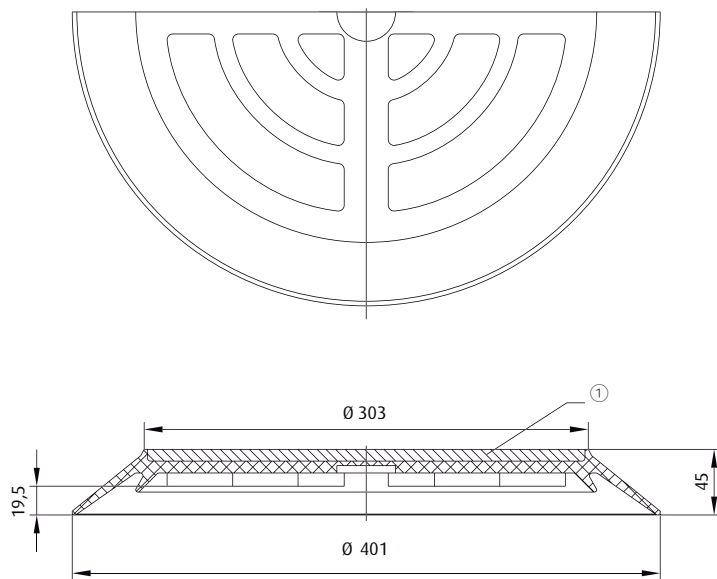
Item no.
152.350.131.*

Material
NBR (sw)

13 mm

Additional sizes available are found on p. 73.

* When ordering please add the appropriate material code to item no. You will find it in the foldout.
Average holding forces for Vacuum cups you will find on page 760



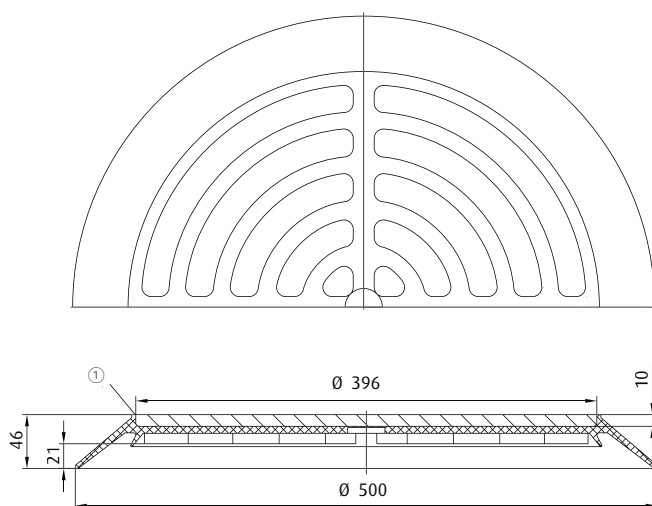
① = Steel

Item no.
152.400.085._*

Material
NBR (gr), SBR (br), NR (sw)

25 mm

Ordering notes: Customised drilling patterns on request



① = Steel

Item no.
152.500.086._*

Material
NBR (gr), SBR (br), NR (sw)

25 mm

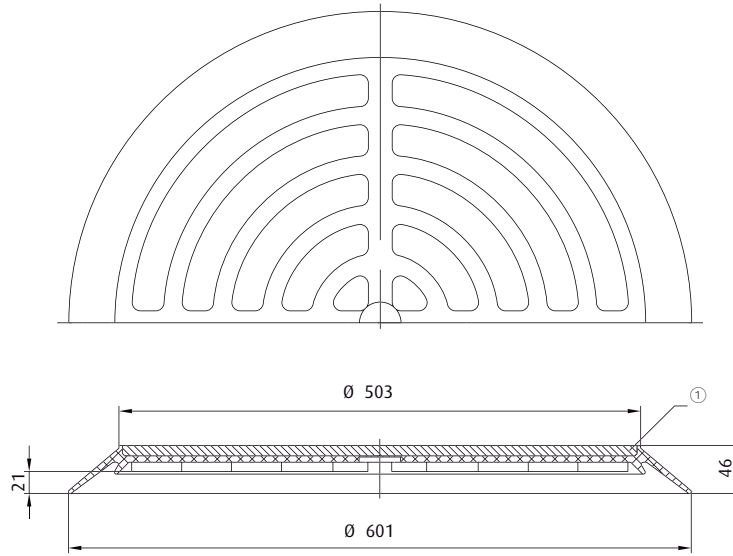
Ordering notes: Customised drilling patterns on request

* When ordering please add the appropriate material code to item no. You will find it in the foldout.
Average holding forces for Vacuum cups you will find on page 760



Vacuum cups by size | Flat vacuum cups by \emptyset

\emptyset 601 mm



① = Steel

Item no.

152.600.087.*

Material

NBR (gr), SBR (br), NR (sw)



25 mm

Ordering notes: Customised drilling patterns on request

* When ordering please add the appropriate material code to item no. You will find it in the foldout.
Average holding forces for Vacuum cups you will find on page 760