

Application / Uses

- > Bellows vacuum cups are especially suited to the gentle handling of sensitive products.
- > They allow for easy height and angle compensation for variable surfaces and lift the product up as soon as the vacuum is turned on.
- > The more folds the vacuum cup has, the greater the lifting movement and thus the height compensation. However, lateral stability is reduced by the number of folds. Bellows vacuum cups are therefore only recommended for vertical handling tasks.



Designs



FIPA bellows vacuum cups are available in various different versions (generally 1.5 - 4.5 folds). They are available with supporting ribs towards the product, with supporting ribs between the folds and without supporting ribs.

Supporting ribs towards the product (supporting ribs make contact with the object being handled):

- > Increased stability and suction power
- > Prevent flexible product parts from being sucked in
- > Avoid slipping of the product while suction is being applied

Supporting ribs between the folds:

- > Improve lateral stability
- > Accelerate the depositing process, as the folds are prevented from sticking together

Methods of connection



Vacuum cups for attaching to the fittings (plug-in)

- > Secure hold
- > Quick replacement
- > Cost-efficient and environmentally-friendly, as only the rubber part needs to be replaced



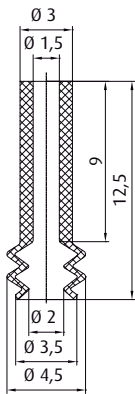
Bolted fittings

- > Vacuum cups are bolted from below into a threaded counterpart using a hollow bolt
- > Extremely secure hold
- > Eliminates twisting of the vacuum cups
- > Cost-efficient and environmentally-friendly, as only the rubber part needs to be replaced



Vulcanised fittings / retainer plates

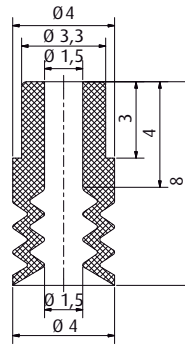
- > Very secure hold
- > Secured against rotation
- > High degree of dimensional stability



Icon	Connection	see page
	M5-male	409

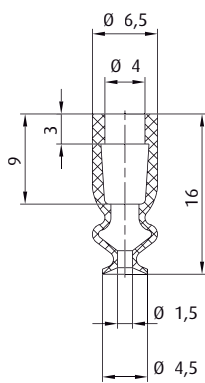
Item no. 21.004.142.* **Material** Vinyl (bl) 1.3 mm

Additional sizes available are found on p. 116.



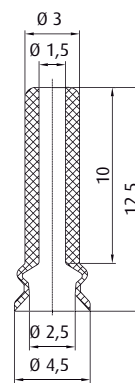
Icon	Connection	see page
	M3-male	408

Item no. 21.018.068.* **Material** NBR (bl) 1 mm



Icon	Connection	see page
	M5-male	409
	M6-male	413
	G1/8-male	416
	G1/8-female	421

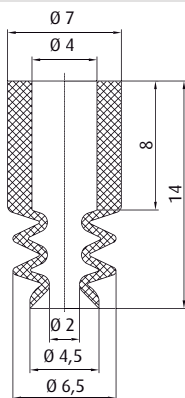
Item no. 23.004.189.* **Material** NBR (sw), SI (tr) 4 mm



Icon	Connection	see page
	M5-male	409

Item no. 23.005.095.* **Material** Vinyl (bl) 2 mm

Additional sizes available are found on p. 113.

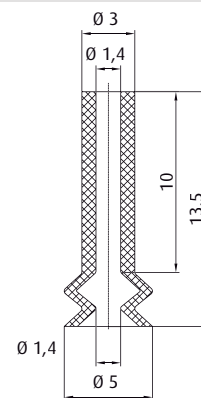


Icon	Connection	see page
	M5-male	409
	M5-female	412
	M6-male	413
	G1/8-male	416
	G1/8-female	421

BESTSELLER

Item no. 21.004.083.* **Material** SI (tr) 3 mm

Additional sizes available are found on p. 89.



Icon	Connection	see page
	M5-male	409

Item no. 23.005.181.* **Material** NBR (sw), SI (tr) 2 mm

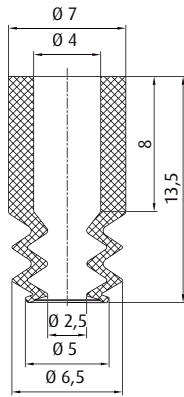
Additional sizes available are found on p. 81.

* When ordering please add the appropriate material code to item no. You will find it in the foldout. Average holding forces for Vacuum cups you will find on page 760



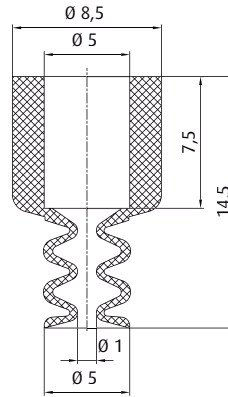
Vacuum cups by size | Bellows vacuum cups by \varnothing

\varnothing 5 - 6 mm



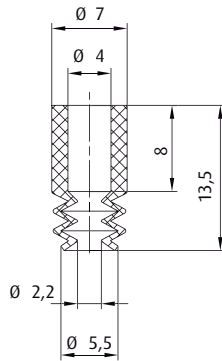
	Connection	see page
270.134	M5-male	409
270.347	M5-female	412
270.104	M6-male	413
270.033	G1/8-male	416
270.478	G1/8-female	421

Item no. 21.005.058._* **Material** NBR (sw), SI (tr) 3 mm



	Connection	see page
270.013	M5-male	410
270.005	M5-female	412
270.103	M6-male	413
270.003	G1/8-male	416
270.015	G1/8-female	421

Item no. 21.005.086._* **Material** SI (tr) 3.5 mm

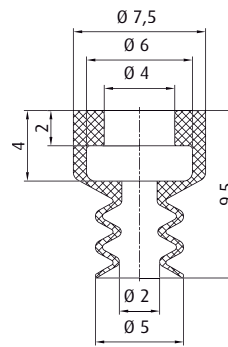


	Connection	see page
270.134	M5-male	409
270.347	M5-female	412
270.104	M6-male	413
270.033	G1/8-male	416
270.478	G1/8-female	421

UP TO 160 °C & MINIMUM MARKING

Item no. 21.005.146._* **Material** Thermalon® (bl) 3 mm

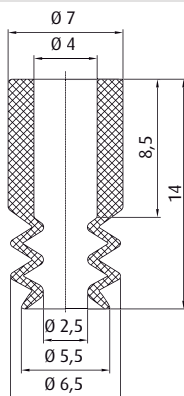
Additional sizes available are found on p. 92.



	Connection	see page
270.010	M5-male	411
270.005	M5-female	412
270.009	G1/8-male	417
270.007	G1/8-female	422

Item no. 21.005.088._* **Material** NBR (sw), SI (tr) 3 mm

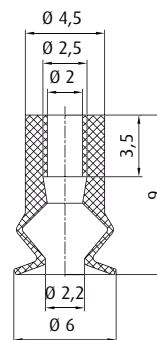
This vacuum cup is also available in the following dimensions: 7 mm



	Connection	see page
270.134	M5-male	409
270.347	M5-female	412
270.104	M6-male	413
270.033	G1/8-male	416
270.478	G1/8-female	421

Item no. 21.005.057._* **Material** NBR (g), HNBR (ge), EPDM (gr), SI (g), SI-AS (sw) 3 mm

Additional sizes available are found on p. 89.



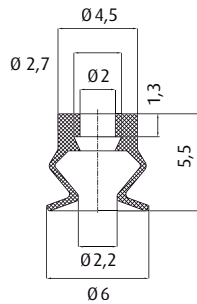
	Connection	see page
270.153	M5-male	409

BESTSELLER

Item no. 23.005.178._* **Material** SI (r), SI-AS (sw), CR (sw), HNBR (ge) 2 mm

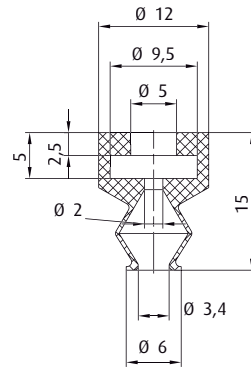
Additional sizes available are found on p. 100.

* When ordering please add the appropriate material code to item no. You will find it in the foldout. Average holding forces for Vacuum cups you will find on page 760



Item no.
23.005.231._*

Material
SI (r)



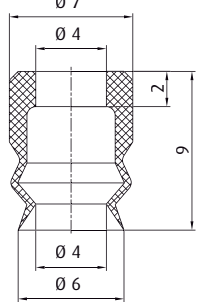
Item no.
23.006.145._*

Material
NBR (sw), SI (tr)



	Connection	see page
	270.200 M5-male	411
	270.064 G1/8-male	418
	270.065 G1/8-female	422
		see page
	50.018 8.5 mm	454
	50.019 8.5 mm	454

Additional sizes available are found on p. 122.



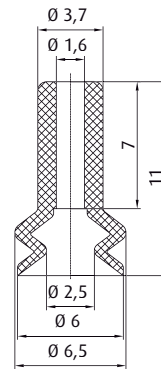
	Connection	see page
	270.010 M5-male	411
	270.005 M5-female	412
	270.009 G1/8-male	417
	270.007 G1/8-female	422
		see page
	50.330 10 mm	454

Item no.
23.006.161._*

Material
SI (tr)



This vacuum cup is also available in the following dimensions: 10 mm, 15 mm, 20 mm, 30 mm



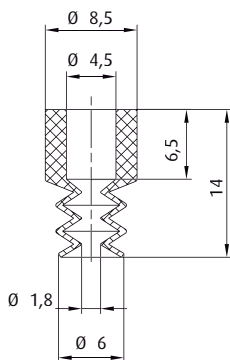
	Connection	see page
	270.001 M5-male	409

Item no.
23.007.112._*

Material
Vinyl (bl)



Additional sizes available are found on p. 113.



	Connection	see page
	270.134 M5-male	409
	270.347 M5-female	412
	270.104 M6-male	413
	270.033 G1/8-male	416
	270.478 G1/8-female	421

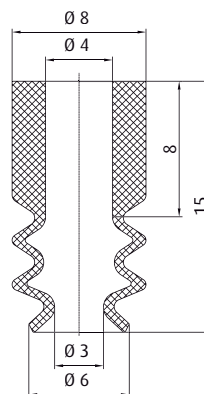
UP TO 160 °C & MINIMUM MARKING

Item no.
21.007.147._*

Material
Thermalon® (bl)



Additional sizes available are found on p. 92.



	Connection	see page
	270.134 M5-male	409
	270.347 M5-female	412
	270.104 M6-male	413
	270.033 G1/8-male	416
	270.478 G1/8-female	421

Item no.
21.006.093._*

Material
NBR (sw), SI (tr)



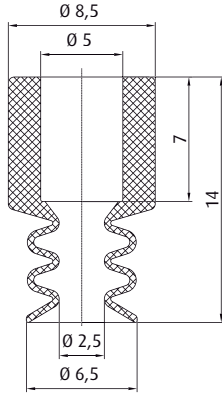
Additional sizes available are found on p. 89.

* When ordering please add the appropriate material code to item no. You will find it in the foldout.
Average holding forces for Vacuum cups you will find on page 760



Vacuum cups by size | Bellows vacuum cups by \varnothing

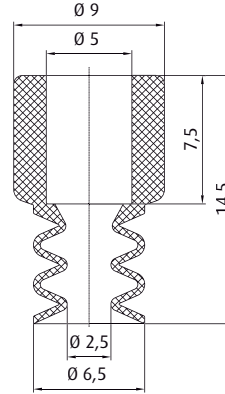
\varnothing 6 - 8 mm



	Connection	see page
270.013	M5-male	410
270.005	M5-female	412
270.103	M6-male	413
270.003	G1/8-male	416
270.015	G1/8-female	421

Item no. 21.006.001._*	Material NBR (sw), EPDM (gr), NBR-AS (sw), SI (tr), Vinyl (bl)	3.5 mm
----------------------------------	---	--------

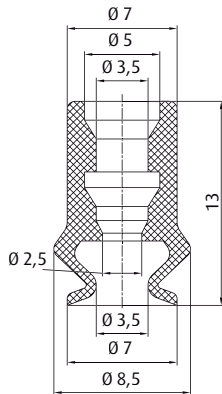
Additional sizes available are found on p. 116.



	Connection	see page
270.013	M5-male	410
270.005	M5-female	412
270.103	M6-male	413
270.003	G1/8-male	416
270.015	G1/8-female	421

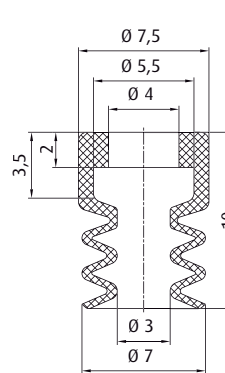
Item no. 21.006.087._*	Material NBR (sw), SI (tr)	3.5 mm
----------------------------------	--------------------------------------	--------

Additional sizes available are found on p. 89.



	Connection	see page
270.399	M5-male	410

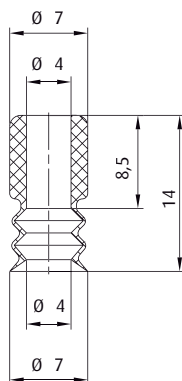
Item no. 21.007.096._*	Material NBR (sw), SI (tr)	2 mm
----------------------------------	--------------------------------------	------



	Connection	see page
270.010	M5-male	411
270.005	M5-female	412
270.009	G1/8-male	417
270.007	G1/8-female	422

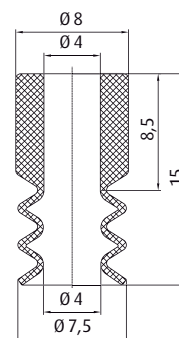
Item no. 21.007.089._*	Material NBR (sw), HNBR (ge), SI (tr), SI-AS (sw), PU (bl)	3 mm
----------------------------------	---	------

Additional sizes available are found on p. 94.
This vacuum cup is also available in the following dimensions: 5 mm



	Connection	see page
270.134	M5-male	409
270.347	M5-female	412
270.104	M6-male	413
270.033	G1/8-male	416
270.478	G1/8-female	421

Item no. 21.007.120._*	Material SI (tr)	4 mm
----------------------------------	----------------------------	------



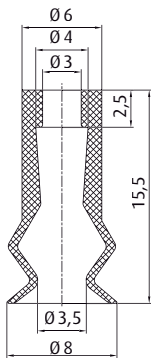
	Connection	see page
270.134	M5-male	409
270.347	M5-female	412
270.104	M6-male	413
270.033	G1/8-male	416
270.478	G1/8-female	421

BESTSELLER

Item no. 21.008.094._*	Material NBR (sw), SI (tr)	4 mm
----------------------------------	--------------------------------------	------

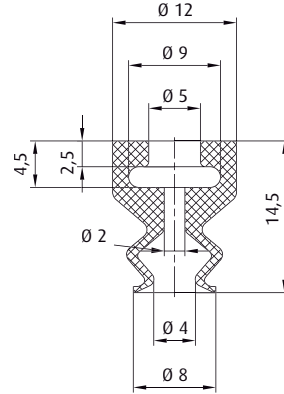
Additional sizes available are found on p. 89.

* When ordering please add the appropriate material code to item no. You will find it in the foldout.
Average holding forces for Vacuum cups you will find on page 760



Item no.	Connection	see page
270.134	M5-male	409
270.347	M5-female	412
270.104	M6-male	413

Item no. 23.008.057.* Material SI (tr), SI-AS (sw) 3.5 mm

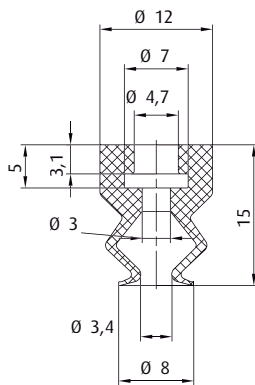


Item no.	Connection	see page
270.200	M5-male	411
270.064	G1/8-male	418
270.065	G1/8-female	422

Item no.	Connection	see page
50.018	8.5 mm	454
50.019	8.5 mm	454

Item no. 23.008.146.* Material NBR (sw), SI (tr) 5 mm

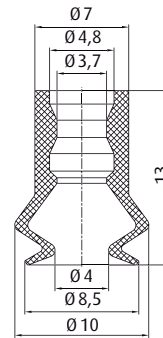
Additional sizes available are found on p. 122.



Item no.	Connection	see page
270.200	M5-male	411
270.064	G1/8-male	418
270.065	G1/8-female	422

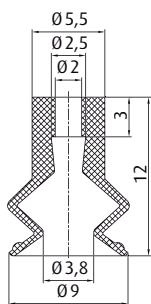
Item no.	Connection	see page
50.141	10 mm	456
50.018	8.5 mm	454

Item no. 21.008.126.* Material SI (r) 8 mm



Item no.	Connection	see page
270.399	M5-male	410

Item no. 23.008.225.* Material SI (tr) 3 mm

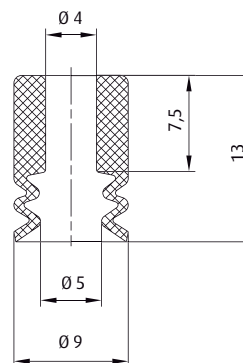


Item no.	Connection	see page
270.153	M5-male	409

BESTSELLER

Item no. 23.008.166.* Material SI (r), SI-AS (sw), CR (sw), HNBR (ge) 3.5 mm

Additional sizes available are found on p. 100.



Item no.	Connection	see page
270.134	M5-male	409
270.347	M5-female	412
270.104	M6-male	413
270.033	G1/8-male	416
270.478	G1/8-female	421

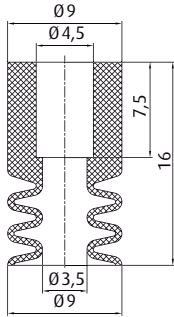
Item no. 21.009.029.* Material PU (bl) 1.5 mm

* When ordering please add the appropriate material code to item no. You will find it in the foldout. Average holding forces for Vacuum cups you will find on page 760



Vacuum cups by size | Bellows vacuum cups by \varnothing

\varnothing 9 - 10 mm

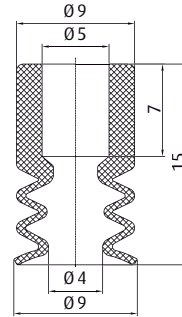


	Connection	see page
270.013	M5-male	410
270.103	M6-male	413
270.003	G1/8-male	416
270.015	G1/8-female	421

Item no.
21.009.100.*

Material
NBR (sw)

3.5 mm



	Connection	see page
270.013	M5-male	410
270.005	M5-female	412
270.103	M6-male	413
270.003	G1/8-male	416
270.015	G1/8-female	421

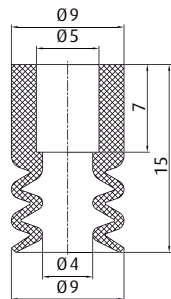
Item no.
21.009.002.*

Material
NBR (sw), HNBR (ge), SI (tr),
SI-AS (sw), NR (gr), PU (bl)

2 mm

BESTSELLER

Additional sizes available are found on p. 89.



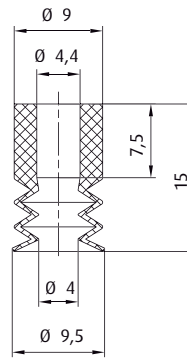
	Connection	see page
270.013	M5-male	410
270.005	M5-female	412
270.103	M6-male	413
270.003	G1/8-male	416
270.015	G1/8-female	421

Item no.
21.009.106.*

Material
Vulkollan® (br)

2 mm

Additional sizes available are found on p. 97.



	Connection	see page
270.134	M5-male	409
270.347	M5-female	412
270.104	M6-male	413
270.033	G1/8-male	416
270.478	G1/8-female	421

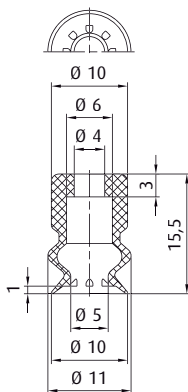
Item no.
21.009.148.*

Material
Thermalon® (bl)

3 mm

UP TO 160 °C & MINIMUM MARKING

Additional sizes available are found on p. 92.



	Connection	see page
270.458	M4-male	408
270.134	M5-male	409
270.104	M6-male	413

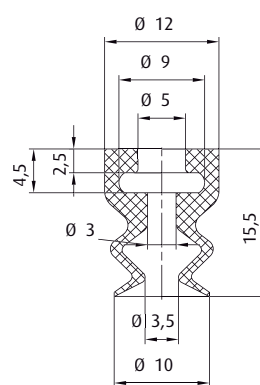
		see page
50.103	6 mm	454
50.104	6 mm	454
50.125	10 mm	454
50.126	15 mm	454
50.127	20 mm	454

Item no.
23.010.139.*

Material
NBR (sw), SI (tr)

4 mm

Additional sizes available are found on p. 119.



	Connection	see page
270.200	M5-male	411
270.064	G1/8-male	418
270.065	G1/8-female	422

		see page
50.018	8.5 mm	454
50.019	8.5 mm	454

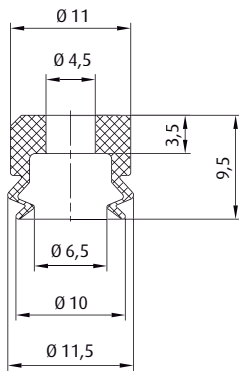
Item no.
23.010.147.*

Material
NBR (sw), SI (tr)

5 mm

Additional sizes available are found on p. 122.

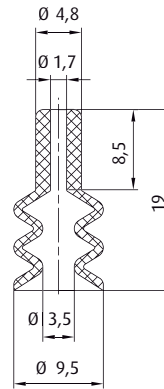
* When ordering please add the appropriate material code to item no. You will find it in the foldout.
Average holding forces for Vacuum cups you will find on page 760



	Connection	see page
270.310	M5-male	411
270.493	G1/8-male	420
270.494	G1/8-female	423
50.330	10 mm	454

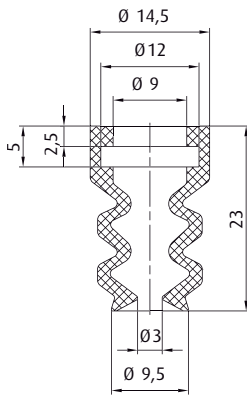
Item no. 23.010.163.* Material SI (tr) 2.5 mm

This vacuum cup is also available in the following dimensions: 6 mm, 15 mm, 20 mm, 30 mm



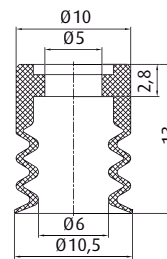
	Connection	see page
270.195	M5-male	409

Item no. 21.010.061.* Material Vinyl (bl) 8 mm



	Connection	see page
270.541	G1/8-male	421

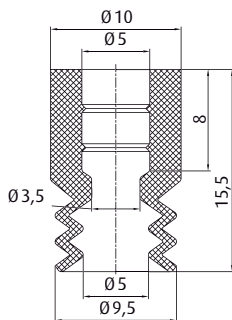
Item no. 21.010.071.* Material Vinyl (bl) 8 mm



	Connection	see page
270.094	M5-male	411
270.095	G1/8-male	418
270.096	G1/8-female	422

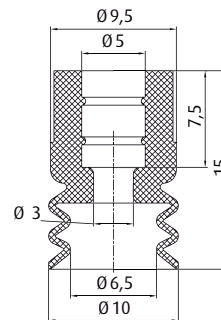
Item no. 21.010.005.* Material NBR (sw), SI (bl) 4 mm

This vacuum cup is also available in the following dimensions: 15 mm, 18 mm, 24 mm, 30 mm, 40 mm



	Connection	see page
270.013	M5-male	410
270.005	M5-female	412
270.103	M6-male	413
270.003	G1/8-male	416
270.015	G1/8-female	421

Item no. 21.010.004.* Material NBR (sw), SI (r), PU (bg) 3 mm



	Connection	see page
270.013	M5-male	410
270.005	M5-female	412
270.103	M6-male	413
270.003	G1/8-male	416
270.015	G1/8-female	421

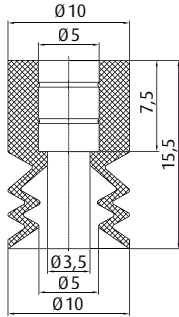
Item no. 21.010.056.* Material SI (bl), SI (r) 4 mm

* When ordering please add the appropriate material code to item no. You will find it in the foldout. Average holding forces for Vacuum cups you will find on page 760



Vacuum cups by size | Bellows vacuum cups by Ø

Ø 10 - 11 mm

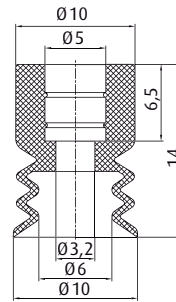


Icon	Connection	see page
	M5-male	410
	M6-male	413
	G1/8-male	416
	G1/8-female	421

BESTSELLER

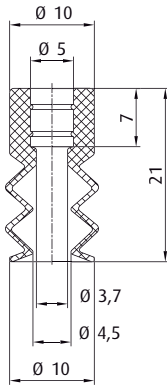
Item no. 21.010.070.* Material Vinyl (bl) 5 mm

Additional sizes available are found on p. 116.



Icon	Connection	see page
	M5-male	410
	M5-female	412
	M6-male	413
	G1/8-male	416
	G1/8-female	421

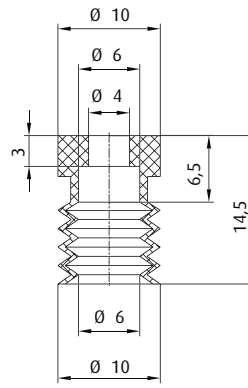
Item no. 21.010.078.* Material SI (r), SI (tr), PU (bg) 4 mm



Icon	Connection	see page
	M5-male	410
	M5-female	412
	M6-male	413
	G1/8-male	416
	G1/8-female	421

Item no. 21.010.119.* Material NBR (sw), SI (tr) 8 mm

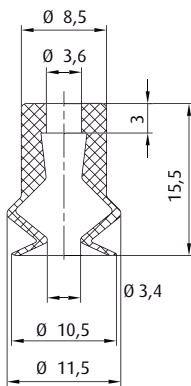
Additional sizes available are found on p. 89.



Icon	Connection	see page
	M4-male	408
	G1/8-male	417
	G1/8-female	422

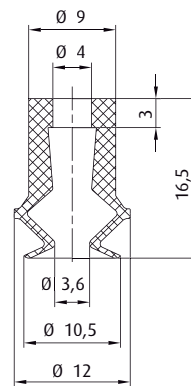
Item no. 25.010.044.* Material NBR (sw), SI (tr) 4 mm

Additional sizes available are found on p. 124.



Icon	Connection	see page
	M5-male	409
	M6-male	413
	G1/8-male	416
	G1/8-female	421

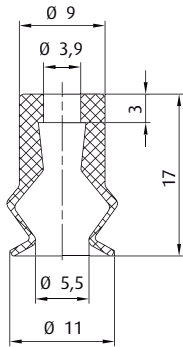
Item no. 23.011.138.* Material SI (r) 4 mm



Icon	Connection	see page
	M5-male	409
	M6-male	413
	G1/8-male	416
	G1/8-female	421

Item no. 23.011.173.* Material SI (tr) 3.5 mm

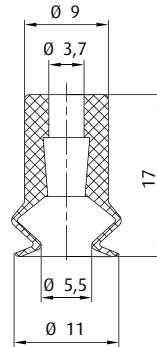
* When ordering please add the appropriate material code to item no. You will find it in the foldout. Average holding forces for Vacuum cups you will find on page 760



Item no.	Connection	see page
270.134	M5-male	409
270.104	M6-male	413

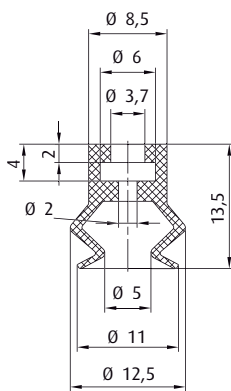
Item no. 23.011.007.*	Material SI (tr), SI-AS (sw), PU (bl), CR (sw)	5 mm
---------------------------------	---	------

Additional sizes available are found on p. 100.



Item no.	Connection	see page
270.134	M5-male	409
270.104	M6-male	413
270.033	G1/8-male	416
270.478	G1/8-female	421

Item no. 23.011.131.*	Material NBR (sw), SI (r)	4 mm
---------------------------------	-------------------------------------	------

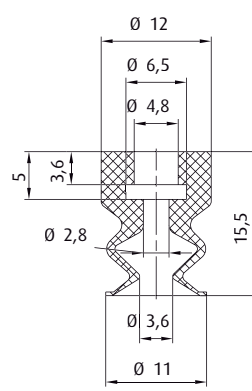


Item no.	Connection	see page
270.010	M5-male	411
270.005	M5-female	412
270.009	G1/8-male	417
270.007	G1/8-female	422

Item no.	Connection	see page
50.330	10 mm	454

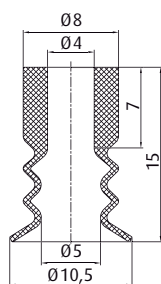
Item no. 23.010.123.*	Material NBR (sw), NBR-AS (sw), SI (tr), SI-AS (sw), PU (bl)	4 mm
---------------------------------	---	------

This vacuum cup is also available in the following dimensions: 15 mm, 21 mm, 32 mm, 42 mm, 54 mm



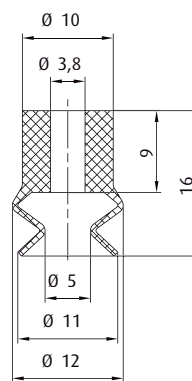
Item no.	Connection	see page
270.200	M5-male	411
270.064	G1/8-male	418
270.065	G1/8-female	422

Item no. 21.010.127.*	Material SI (r)	6 mm
---------------------------------	---------------------------	------



Item no.	Connection	see page
270.013	M5-male	410
270.003	G1/8-male	416
270.015	G1/8-female	421

Item no. 21.011.095.*	Material NBR (sw), SI (tr)	5 mm
---------------------------------	--------------------------------------	------



Item no.	Connection	see page
270.134	M5-male	409
270.347	M5-female	412
270.104	M6-male	413
270.033	G1/8-male	416
270.478	G1/8-female	421

**UP TO 160 °C &
MINIMUM MARKING**

Item no. 23.011.234.*	Material Thermalon® (bl)	5.5 mm
---------------------------------	------------------------------------	--------

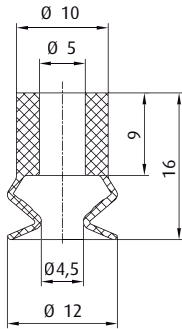
Additional sizes available are found on p. 84.

* When ordering please add the appropriate material code to item no. You will find it in the foldout.
Average holding forces for Vacuum cups you will find on page 760



Vacuum cups by size | Bellows vacuum cups by \varnothing

\varnothing 12 - 13 mm

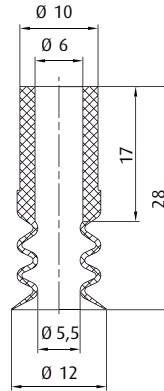


	Connection	see page
270.013	M5-male	410
270.005	M5-female	412
270.103	M6-male	413
270.003	G1/8-male	416
270.015	G1/8-female	421

		see page
50.037	25 mm	456

Item no. 23.011.008.* **Material** NBR (sw), HNBR (ge), SI (tr) 4.5 mm

Additional sizes available are found on p. 81.

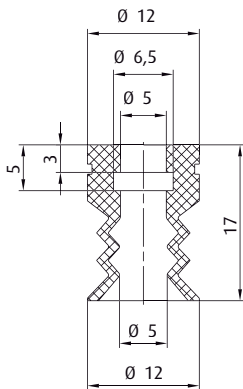


	Connection	see page
270.443	M5-male	410
270.238	G1/8-male	417
270.110	G1/8-female	422
270.534	G1/4-male	425

FOR HIGHLY STRUCTURED SURFACES (3D)

Item no. 21.012.079.* **Material** NBR (sw), SI (w), SI (tr) 7 mm

Additional sizes available are found on p. 125.

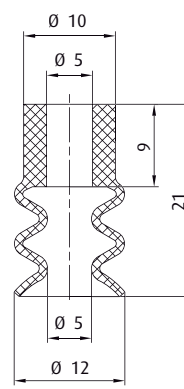


	Connection	see page
270.200	M5-male	411
270.064	G1/8-male	418
270.065	G1/8-female	422

		see page
50.141	10 mm	456
50.018	8.5 mm	454

Item no. 21.012.108.* **Material** SI (r) 5 mm

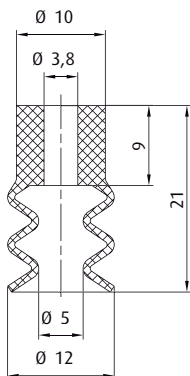
Additional sizes available are found on p. 81.



	Connection	see page
270.013	M5-male	410
270.005	M5-female	412
270.103	M6-male	413
270.003	G1/8-male	416
270.015	G1/8-female	421

Item no. 21.012.135.* **Material** NBR (sw), HNBR (ge), SI (tr), NR (gr), PU (bl) 7 mm

Additional sizes available are found on p. 89.

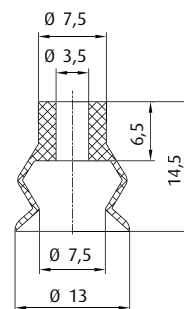


	Connection	see page
270.134	M5-male	409
270.347	M5-female	412
270.104	M6-male	413
270.033	G1/8-male	416
270.478	G1/8-female	421

UP TO 160 °C & MINIMUM MARKING

Item no. 21.012.149.* **Material** Thermalon® (bl) 7 mm

Additional sizes available are found on p. 92.



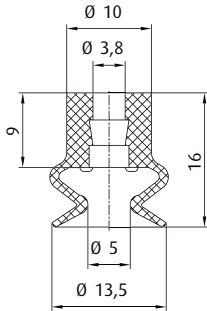
	Connection	see page
270.013	M5-male	410
270.103	M6-male	413
270.003	G1/8-male	416
270.015	G1/8-female	421

BESTSELLER

Item no. 23.013.097.* **Material** Vinyl (bl) 5 mm

Additional sizes available are found on p. 113.

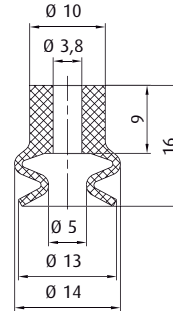
* When ordering please add the appropriate material code to item no. You will find it in the foldout. Average holding forces for Vacuum cups you will find on page 760



Icon	Connection	see page
	270.013 M5-male	410
	270.005 M5-female	412
	270.103 M6-male	413
	270.003 G1/8-male	416
	270.015 G1/8-female	421
	50.037 25 mm	456

Item no. 23.013.120.* **Material** NBR (sw), SI (tr), NR (gr) 4 mm

Additional sizes available are found on p. 81.

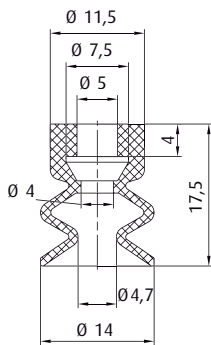


Icon	Connection	see page
	270.134 M5-male	409
	270.347 M5-female	412
	270.104 M6-male	413
	270.033 G1/8-male	416
	270.478 G1/8-female	421

UP TO 160 °C & MINIMUM MARKING

Item no. 23.014.235.* **Material** Thermalon® (bl) 5 mm

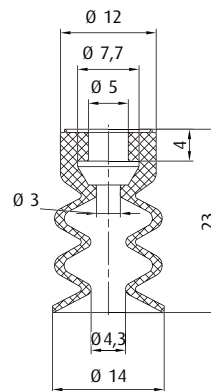
Additional sizes available are found on p. 84.



Icon	Connection	see page
	270.013 M5-male	410
	270.005 M5-female	412
	270.103 M6-male	413
	270.003 G1/8-male	416
	270.015 G1/8-female	421

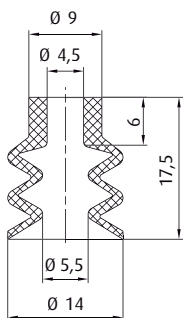
Item no. 23.014.010.* **Material** NBR (sw), SI (r), NR (bg), PU (bl) 8 mm

This vacuum cup is also available in the following dimensions: 24 mm, 40 mm, 60 mm



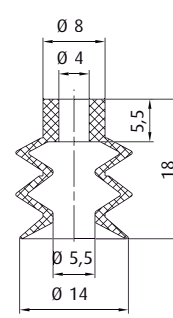
Icon	Connection	see page
	270.013 M5-male	410
	270.005 M5-female	412
	270.103 M6-male	413
	270.003 G1/8-male	416
	270.015 G1/8-female	421

Item no. 21.014.006.* **Material** NBR (sw), SI (r), NR (bg), PU (bl) 10 mm



Icon	Connection	see page
	270.024 M5-male	410
	270.104 M6-male	413
	270.033 G1/8-male	416
	270.478 G1/8-female	421

Item no. 21.014.046.* **Material** PU (r) 7 mm



Icon	Connection	see page
	270.134 M5-male	409
	270.347 M5-female	412
	270.104 M6-male	413
	270.033 G1/8-male	416
	270.478 G1/8-female	421

BESTSELLER

Item no. 21.014.053.* **Material** HNBR (ge), SI (tr), CR (sw) 9 mm

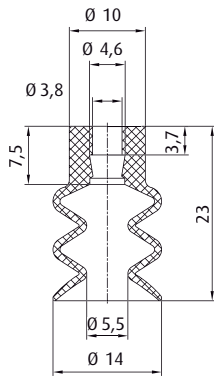
Additional sizes available are found on p. 84.

* When ordering please add the appropriate material code to item no. You will find it in the foldout. Average holding forces for Vacuum cups you will find on page 760



Vacuum cups by size | Bellows vacuum cups by \varnothing

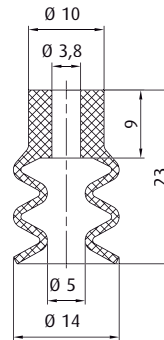
\varnothing 14 - 15 mm



Icon	Connection	see page
	M5-male	409
	M5-female	412
	M6-male	413
	G1/8-male	416
	G1/8-female	421

Item no. 21.014.133.* **Material** NBR (sw), SI (tr), NR (gr) 11 mm

Additional sizes available are found on p. 89.

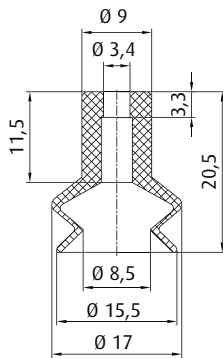


Icon	Connection	see page
	M5-male	409
	M5-female	412
	M6-male	413
	G1/8-male	416
	G1/8-female	421

Item no. 21.014.150.* **Material** Thermalon® (bl) 10 mm

Additional sizes available are found on p. 92.

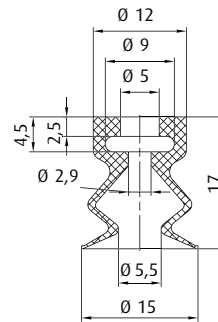
UP TO 160 °C & MINIMUM MARKING



Icon	Connection	see page
	M5-male	409
	M5-female	412
	M6-male	413
	G1/8-male	416
	G1/8-female	421

Item no. 23.015.098.* **Material** Vinyl (bl) 5 mm

Additional sizes available are found on p. 113.

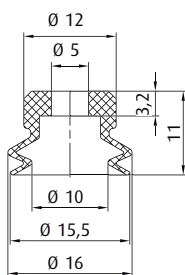


Icon	Connection	see page
	M5-male	411
	G1/8-male	418
	G1/8-female	422

Icon	see page
	454
	454

Item no. 23.015.148.* **Material** NBR (sw), SI (tr) 7 mm

Additional sizes available are found on p. 122.

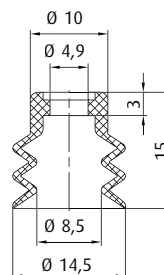


Icon	Connection	see page
	M5-male	411
	G1/8-male	420
	G1/8-female	423

Icon	see page
	454

Item no. 23.015.164.* **Material** NBR (sw), SI (tr) 3.5 mm

This vacuum cup is also available in the following dimensions: 6 mm, 10 mm, 20 mm, 30 mm

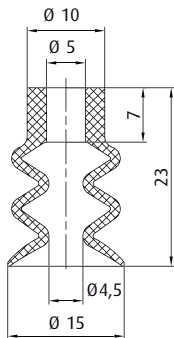


Icon	Connection	see page
	M5-male	411
	G1/8-male	418
	G1/8-female	422

Item no. 21.015.009.* **Material** NBR (sw), SI (tr) 5 mm

This vacuum cup is also available in the following dimensions: 10 mm, 18 mm, 24 mm, 30 mm, 40 mm

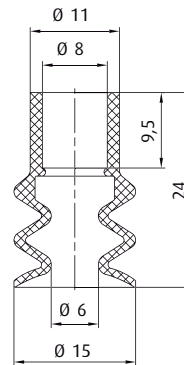
* When ordering please add the appropriate material code to item no. You will find it in the foldout. Average holding forces for Vacuum cups you will find on page 760



Item no.	Connection	see page
270.013	M5-male	410
270.005	M5-female	412
270.103	M6-male	413
270.003	G1/8-male	416
270.015	G1/8-female	421

Item no. 21.014.007.* Material: NBR (sw), SI (tr), PU (bl) | 12 mm

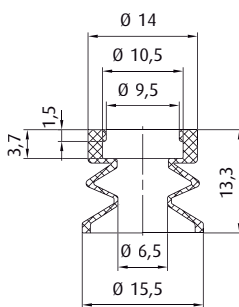
Additional sizes available are found on p. 89.



Item no.	Connection	see page
270.112	G1/8-male	419
270.113	G1/4-male	425

Item no. 21.015.008.* Material: NBR (sw), SI (r) | 7 mm

This vacuum cup is also available in the following dimensions: 20 mm, 30 mm

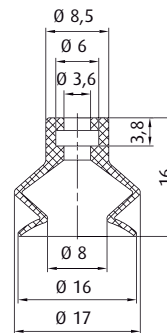


Item no.	Connection	see page
270.311	M5-male	411
270.312/19	M6-male	414

Item no.	Height	see page
50.005	5 mm	456
50.145	10 mm	456
50.146	30 mm	456

Item no. 23.016.232.* Material: SI (tr) | 6 mm

Additional sizes available are found on p. 130.

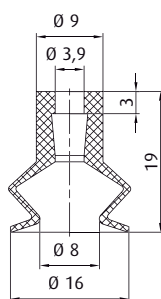


Item no.	Connection	see page
270.010	M5-male	411
270.005	M5-female	412
270.009	G1/8-male	417
270.007	G1/8-female	422

Item no.	Height	see page
50.330	10 mm	454

Item no. 23.015.122.* Material: NBR (sw), SI (tr), PU (bl), HNBR (ge) | 5 mm

Additional sizes available are found on p. 86.
This vacuum cup is also available in the following dimensions: 11 mm, 21 mm, 32 mm, 42 mm, 54 mm

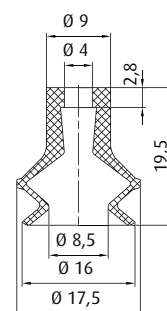


Item no.	Connection	see page
270.134	M5-male	409
270.104	M6-male	413

BESTSELLER

Item no. 23.016.015.* Material: SI (tr), SI-AS (sw), CR (sw) | 7 mm

Additional sizes available are found on p. 100.



Item no.	Connection	see page
270.134	M5-male	409
270.104	M6-male	413
270.033	G1/8-male	416
270.015	G1/8-female	421

Item no. 23.016.174.* Material: SI (tr) | 5 mm

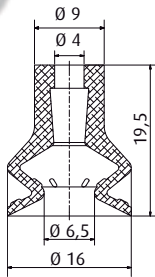
* When ordering please add the appropriate material code to item no. You will find it in the foldout.
Average holding forces for Vacuum cups you will find on page 760



Vacuum cups by size | Bellows vacuum cups by Ø

Ø 16 mm

NEW

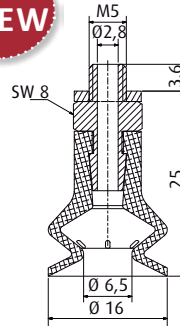


	Connection	see page
	M5-male	409
	M6-male	413

Item no. 23.016.263.* **Material** Varioflex® 60/30° (sw/r) 4.5 mm

Additional sizes available are found on p. 107.

NEW

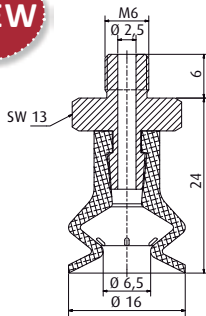


Spare cup

Item no. 22.016.253.* **Material** Varioflex® 60/30° (sw/r) 4.5 mm

Additional sizes available are found on p. 107.

NEW



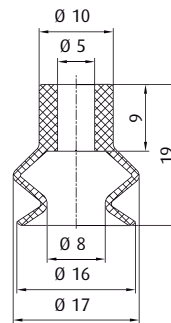
Spare cup

Item no. 22.016.254.* **Material** Varioflex® 60/30° (sw/r) 4.5 mm

Additional sizes available are found on p. 107.

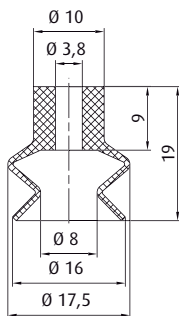
	Connection	see page
	M5-male	410
	M5-female	412
	M6-male	413
	G1/8-male	416
	G1/8-female	421

		see page
	25 mm	456



Item no. 23.016.016.* **Material** NBR (sw), HNBR (ge), SI (tr) 6 mm

Additional sizes available are found on p. 81.



	Connection	see page
	M5-male	409
	M5-female	412
	M6-male	413
	G1/8-male	416
	G1/8-female	421

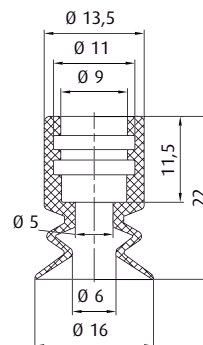
UP TO 160 °C & MINIMUM MARKING

Item no. 23.016.236.* **Material** Thermalon® (bl) 8.5 mm

Additional sizes available are found on p. 84.

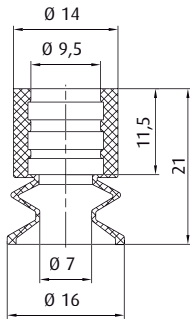
	Connection	see page
	M5-male	410

		see page
	5 mm	456
	10 mm	456
	30 mm	456



Item no. 23.016.104.* **Material** Vinyl (bl) 7 mm

* When ordering please add the appropriate material code to item no. You will find it in the foldout. Average holding forces for Vacuum cups you will find on page 760

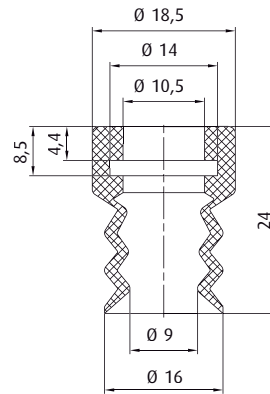


	Connection	see page
270.244	M5-male	410
270.177	M10-male	416
270.451	G1/4-male	426
270.452	G1/4-female	431

		see page
50.005	5 mm	456
50.145	10 mm	456
50.146	30 mm	456

Item no. 27.016.001.* **Material** SI (tr), NR (sw) 6 mm

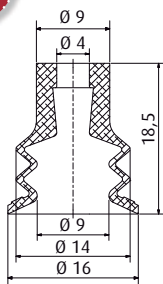
Additional sizes available are found on p. 125.



	Connection	see page
270.177	M10-male	416
270.451	G1/4-male	426
270.452	G1/4-female	431

Item no. 21.016.072.* **Material** Vinyl (bl) 9 mm

NEW

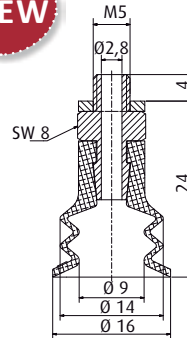


	Connection	see page
270.134	M5-male	409
270.104	M6-male	413

Item no. 21.016.175.* **Material** Varioflex® 60/30° (sw/r) 5.5 mm

Additional sizes available are found on p. 110.

NEW

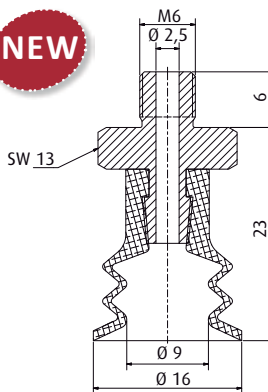


Item no. 20.016.145.* **Material** Varioflex® 60/30° (sw/r) 5.5 mm

Additional sizes available are found on p. 110.

Spare cup

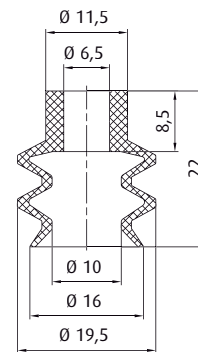
NEW



Item no. 20.016.146.* **Material** Varioflex® 60/30° (sw/r) 5.5 mm

Additional sizes available are found on p. 110.

	Connection	see page
270.274	G1/4-male	427
270.275	G1/4-female	432



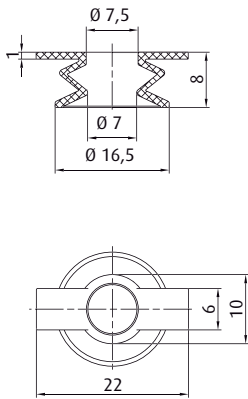
Item no. 21.015.050.* **Material** SI (tr), NR (bg) 10 mm

* When ordering please add the appropriate material code to item no. You will find it in the foldout. Average holding forces for Vacuum cups you will find on page 760



Vacuum cups by size | Bellows vacuum cups by Ø

Ø 17 - 18 mm

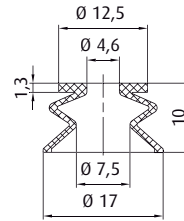


Item no.
23.017.102.*

Material
NR (sw)

5.5 mm

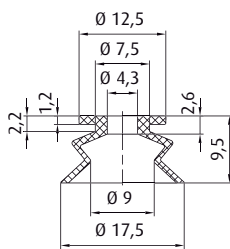
Additional sizes available are found on p. 23.



Item no.
23.017.100.*

Material
NR (br)

6 mm

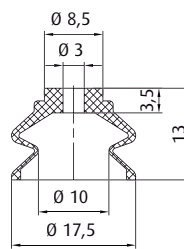


	Connection	see page
270.010	M5-male	411
270.005	M5-female	412
270.009	G1/8-male	417
270.007	G1/8-female	422

Item no.
23.016.086.*

Material
SI (tr), PU (bg)

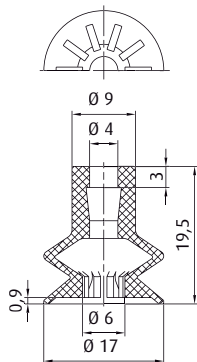
6 mm



Item no.
23.017.105.*

Material
NR (sw)

7 mm



	Connection	see page
270.134	M5-male	409
270.104	M6-male	413
270.033	G1/8-male	416
270.478	G1/8-female	421

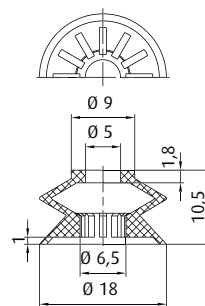
BESTSELLER

Item no.
23.018.175.*

Material
SI (tr), NR (bl)

5.5 mm

Additional sizes available are found on p. 23.



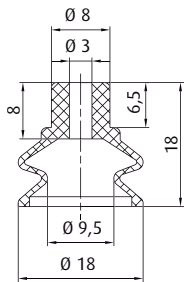
Item no.
23.018.183.*

Material
NR (or)

5.5 mm

Additional sizes available are found on p. 25.

* When ordering please add the appropriate material code to item no. You will find it in the foldout.
Average holding forces for Vacuum cups you will find on page 760

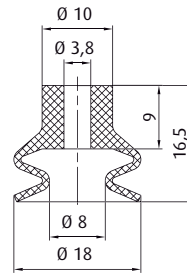


Icon	Connection	see page
	M5-male	409
	M5-female	412

Item no.
23.018.101.*

Material
NR (sw)

6 mm



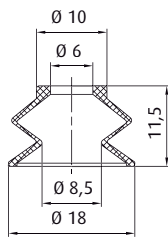
Icon	Connection	see page
	M5-male	409
	M5-female	412
	M6-male	413
	G1/8-male	416
	G1/8-female	421

Item no.
23.018.237.*

Material
Thermalon® (bl)

5 mm

Additional sizes available are found on p. 84.

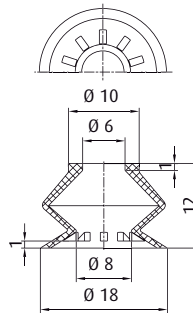


Icon	Connection	see page
	M6-male	414
	M8-male	415
	G1/8-male	419

Item no.
23.018.019.*

Material
SI (tr), NR (sw), NR (bl)

8 mm



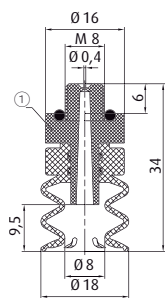
Icon	Connection	see page
	M6-male	414
	M8-male	415
	G1/8-male	419

Item no.
23.018.082.*

Material
SI (tr), NR (bl), CR (sw)

5.5 mm

Additional sizes available are found on p. 23.



Spare cup

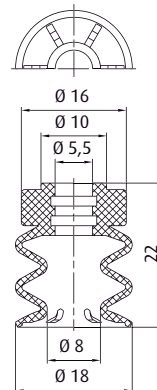
REDUCED LEAKAGE

① = Special fitting with installed orifice Ø 0.4 mm.
Material: PA6/ O-ring NBR

Item no.
20.018.125.*

Material
NBR (gr)

9.5 mm



Icon	Connection	see page
	M5-male	410
	M8-male	415
	G1/8-male	417
	G1/8-female	422
	G1/4-male	425

Item no.
21.018.118.*

Material
NBR (gr)

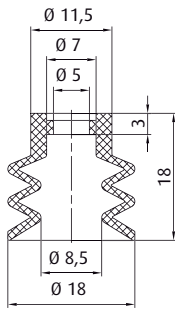
10 mm

* When ordering please add the appropriate material code to item no. You will find it in the foldout.
Average holding forces for Vacuum cups you will find on page 760



Vacuum cups by size | Bellows vacuum cups by Ø

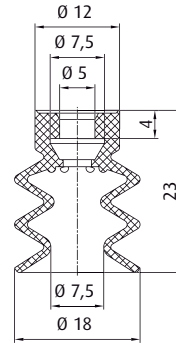
Ø 18 mm



Icon	Connection	see page
	270.013 M5-male	410
	270.103 M6-male	413
	270.003 G1/8-male	416
	270.015 G1/8-female	421

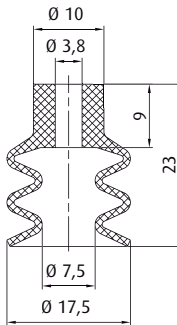
Item no. 21.018.012.* Material NBR (sw), SI (bl) 7 mm

This vacuum cup is also available in the following dimensions: 10 mm, 15 mm, 24 mm, 30 mm, 40 mm



Icon	Connection	see page
	270.013 M5-male	410
	270.005 M5-female	412
	270.103 M6-male	413
	270.003 G1/8-male	416
	270.015 G1/8-female	421

Item no. 21.018.011.* Material NBR (sw), SI (r), NR (bg), PU (bl) 8 mm

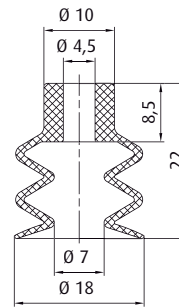


Icon	Connection	see page
	270.134 M5-male	409
	270.347 M5-female	412
	270.104 M6-male	413
	270.033 G1/8-male	416
	270.478 G1/8-female	421

UP TO 160 °C & MINIMUM MARKING

Item no. 21.018.151.* Material Thermalon® (bl) 10 mm

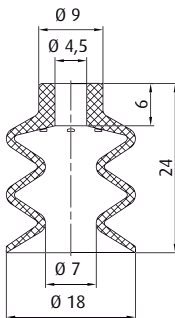
Additional sizes available are found on p. 92.



Icon	Connection	see page
	270.013 M5-male	410
	270.005 M5-female	412
	270.103 M6-male	413
	270.003 G1/8-male	416
	270.015 G1/8-female	421

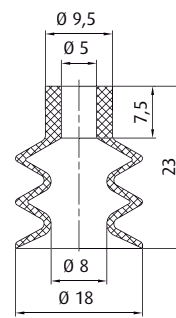
Item no. 21.018.010.* Material NBR (sw), HNBR (ge), SI (tr), PU (bl) 8 mm

Additional sizes available are found on p. 89.



Icon	Connection	see page
	270.024 M5-male	410
	270.104 M6-male	413
	270.033 G1/8-male	416
	270.478 G1/8-female	421

Item no. 21.018.047.* Material PU (g) 12 mm

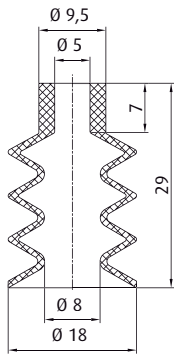


Icon	Connection	see page
	270.013 M5-male	410
	270.005 M5-female	412
	270.103 M6-male	413
	270.003 G1/8-male	416
	270.015 G1/8-female	421
	270.194 G1/4-male	425

BESTSELLER

Item no. 21.018.013.* Material NBR (sw), SI (tr), NR (sw) 9 mm

* When ordering please add the appropriate material code to item no. You will find it in the foldout. Average holding forces for Vacuum cups you will find on page 760

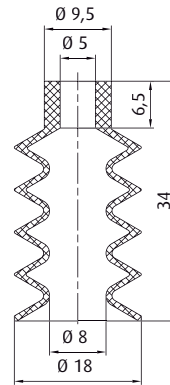


Icon	Connection	see page
	M5-male	410
	M5-female	412
	M6-male	413
	G1/8-male	416
	G1/8-female	421
	G1/4-male	425

BESTSELLER

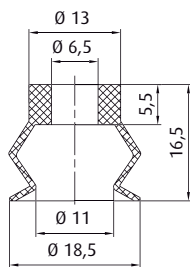
Item no. 25.018.031.* **Material** NBR (sw), SI (tr) 12 mm

Additional sizes available are found on p. 96.



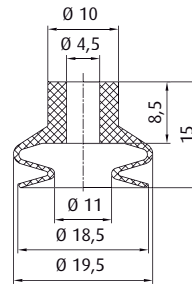
Icon	Connection	see page
	M5-male	410
	M5-female	412
	M6-male	413
	G1/8-male	416
	G1/8-female	421
	G1/4-male	425

Item no. 25.018.032.* **Material** SI (tr) 14 mm



Icon	Connection	see page
	M6-male	414
	G1/8-male	419
	G1/8-female	422

Item no. 23.019.021.* **Material** NBR (sw), SI (tr) 8 mm



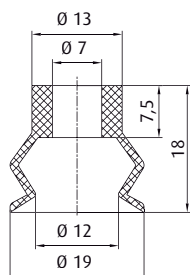
Icon	Connection	see page
	M5-male	410
	M5-female	412
	M6-male	413
	G1/8-male	416
	G1/8-female	421
	G1/4-male	425

Icon	Icon	see page
	25 mm	456

BESTSELLER

Item no. 23.019.119.* **Material** NBR (sw), SI (tr) 4 mm

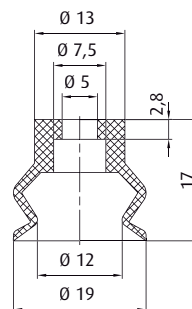
Additional sizes available are found on p. 81.



Icon	Connection	see page
	G1/8-male	419
	G1/8-female	423
	G1/4-male	427
	G1/4-female	432

Item no. 23.019.109.* **Material** Vinyl (bl) 8 mm

Additional sizes available are found on p. 113.



Icon	Connection	see page
	M5-male	411
	G1/8-male	418
	G1/8-female	422

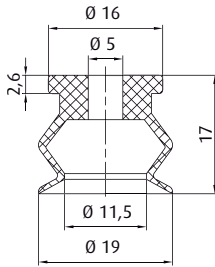
Item no. 23.019.179.* **Material** Vinyl (bl) 7 mm

* When ordering please add the appropriate material code to item no. You will find it in the foldout. Average holding forces for Vacuum cups you will find on page 760



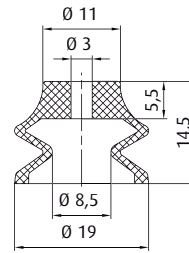
Vacuum cups by size | Bellows vacuum cups by Ø

Ø 19 - 20 mm



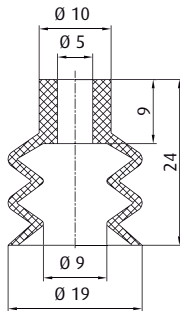
	Connection	see page
270.013	M5-male	410
270.005	M5-female	412
270.103	M6-male	413
270.003	G1/8-male	416
270.015	G1/8-female	421

Item no. 23.019.110.* **Material** Vinyl (bl) 8 mm



Item no. 23.019.168.* **Material** NR (bl), NR (br) 5.5 mm

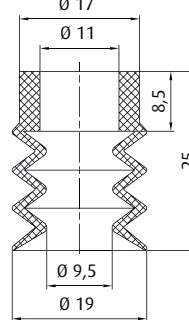
Additional sizes available are found on p. 23.



	Connection	see page
270.013	M5-male	410
270.103	M6-male	413
270.003	G1/8-male	416
270.015	G1/8-female	421
270.194	G1/4-male	425

Item no. 21.018.068.* **Material** Vinyl (bl) 11 mm

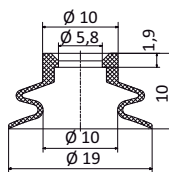
Additional sizes available are found on p. 116.



	Connection	see page
270.177	M10-male	416
270.451	G1/4-male	426
270.452	G1/4-female	431

Item no. 25.019.037.* **Material** Vinyl (bl) 10 mm

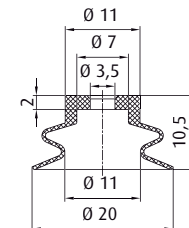
NEW



	Connection	see page
270.200	M5-male	411
270.064	G1/8-male	418
270.065	G1/8-female	422

Item no. 23.019.254.* **Material** SI (tr) 3.5 mm

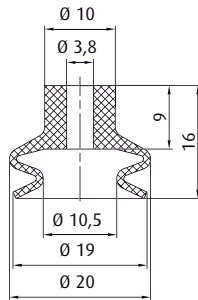
Additional sizes available are found on p. 23.



	Connection	see page
270.310	M5-male	411
270.493	G1/8-male	420
270.494	G1/8-female	423

Item no. 23.020.103.* **Material** NR (bg) 2 mm

* When ordering please add the appropriate material code to item no. You will find it in the foldout. Average holding forces for Vacuum cups you will find on page 760

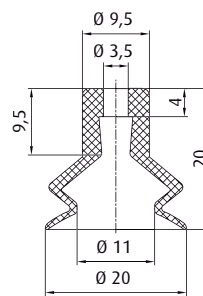


Item no.	Connection	see page
270.134	M5-male	409
270.347	M5-female	412
270.104	M6-male	413
270.033	G1/8-male	416
270.478	G1/8-female	421

UP TO 160 °C & MINIMUM MARKING

Item no. 23.020.238._* Material Thermalon® (bl) 5 mm

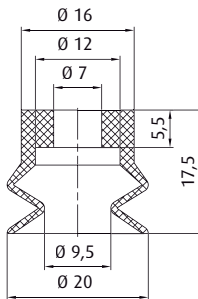
Additional sizes available are found on p. 84.



Item no.	Connection	see page
270.134	M5-male	409
270.347	M5-female	412
270.104	M6-male	413
270.033	G1/8-male	416
270.478	G1/8-female	421

Item no. 23.020.114._* Material Vinyl (bl) 6 mm

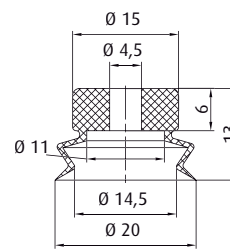
Additional sizes available are found on p. 113.



Item no.	Connection	see page
270.311	M5-male	411
270.312/19	M6-male	414
270.480	G1/8-male	420
270.479	G1/8-female	423

WEAR-RESISTANT

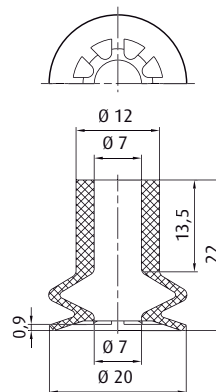
Item no. 23.020.121._* Material Tepuflex® (or), Vulkollan® (br) 5 mm



Item no.	Connection	see page
270.311	M5-male	411
270.063	G1/8-male	419
270.061	G1/8-female	422

Item no. 23.020.154._* Material SI (tr) 4 mm

This vacuum cup is also available in the following dimensions: 6 mm, 10 mm, 15 mm, 30 mm



Item no.	Connection	see page
270.030	G1/8-male	419
270.019	G1/8-female	423
270.113	G1/4-male	425
270.275	G1/4-female	432

Item no. 23.020.133._* Material NBR (sw), SI (tr) 4 mm

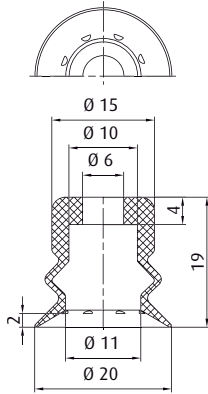
Additional sizes available are found on p. 23.

* When ordering please add the appropriate material code to item no. You will find it in the foldout. Average holding forces for Vacuum cups you will find on page 760



Vacuum cups by size | Bellows vacuum cups by Ø

Ø 20 mm

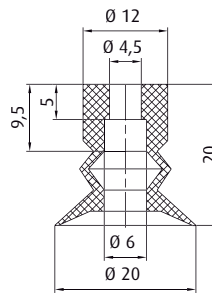


	Connection	see page
270.311	M5-male	411
270.459	M6-male	414
270.480	G1/8-male	420
270.479	G1/8-female	423

		see page
50.085	6 mm	454
50.128	10 mm	454
50.129	15 mm	454
50.095	20 mm	456
50.096	30 mm	456
50.097	40 mm	456
50.098	50 mm	456

Item no. 23.020.140.* **Material** NBR (sw), SI (tr) 6 mm

Additional sizes available are found on p. 119.

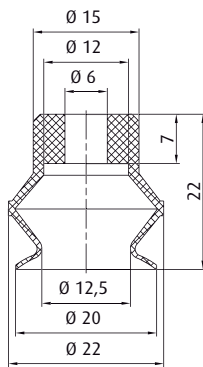


	Connection	see page
270.317	M5-male	410
270.103	M6-male	413
270.205	G1/8-male	416
270.109	G1/8-female	421
270.194	G1/4-male	425

		see page
50.020	8.5 mm	454

Item no. 23.020.149.* **Material** NBR (sw), SI (tr) 6 mm

Additional sizes available are found on p. 122.

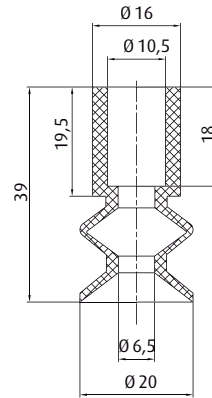


	Connection	see page
270.312/19	M6-male	414
270.482	G1/8-male	420
270.481	G1/8-female	423
270.483	G1/4-male	429
270.484	G1/4-female	433

		see page
50.095	20 mm	456
50.096	30 mm	456
50.097	40 mm	456
50.098	50 mm	456

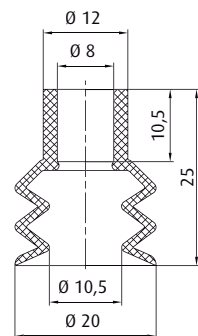
Item no. 23.020.169.* **Material** Vulkollan® (br) 7 mm

Additional sizes available are found on p. 97.



	Connection	see page
270.177	M10-male	416
270.451	G1/4-male	426
270.452	G1/4-female	431

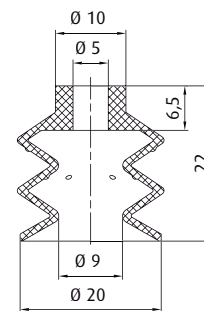
Item no. 23.020.027.* **Material** SI (tr), NR (sw), NR (br) 10 mm



	Connection	see page
270.112	G1/8-male	419
270.113	G1/4-male	425
270.178	G1/4-female	431

Item no. 21.020.014.* **Material** NBR (sw), SI (tr) 10 mm

This vacuum cup is also available in the following dimensions: 15 mm, 30 mm

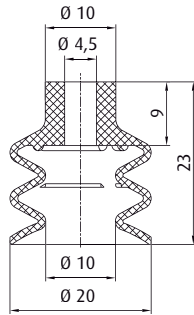


	Connection	see page
270.443	M5-male	410
270.238	G1/8-male	417
270.110	G1/8-female	422
270.534	G1/4-male	425

Item no. 21.020.015.* **Material** NBR (sw), SI (tr), NR (sw) 11 mm

BESTSELLER

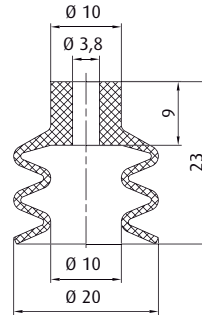
* When ordering please add the appropriate material code to item no. You will find it in the foldout. Average holding forces for Vacuum cups you will find on page 760



Icon	Connection	see page
	270.013 M5-male	410
	270.005 M5-female	412
	270.103 M6-male	413
	270.003 G1/8-male	416
	270.015 G1/8-female	421
	270.194 G1/4-male	425

Item no. 21.020.016.* **Material** NBR (sw), HNBR (ge), SI (tr) 9 mm

Additional sizes available are found on p. 89.

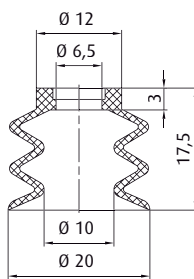


Icon	Connection	see page
	270.134 M5-male	409
	270.347 M5-female	412
	270.104 M6-male	413
	270.033 G1/8-male	416
	270.478 G1/8-female	421

UP TO 160 °C & MINIMUM MARKING

Item no. 21.020.152.* **Material** Thermalon® (bl) 10 mm

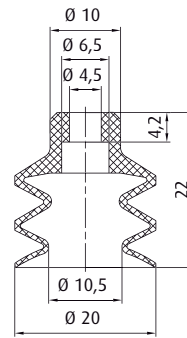
Additional sizes available are found on p. 92.



Icon	Connection	see page
	270.039 M6-male	414
	270.247 M8-male	415
	270.543 G1/8-male	419

Item no. 21.020.073.* **Material** SI (tr) 9 mm

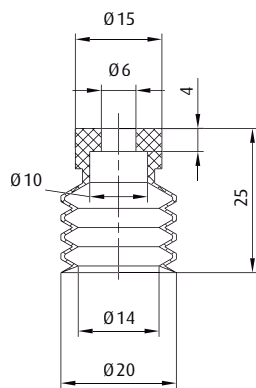
Additional sizes available are found on p. 89.



Icon	Connection	see page
	270.024 M5-male	410
	270.104 M6-male	413
	270.033 G1/8-male	416
	270.478 G1/8-female	421

Item no. 21.020.090.* **Material** Vulkollan® (br) 8 mm

Additional sizes available are found on p. 92.



Icon	Connection	see page
	270.459 M6-male	414
	270.480 G1/8-male	420
	270.479 G1/8-female	423

Item no. 25.020.045.* **Material** NBR (sw), SI (tr) 10 mm

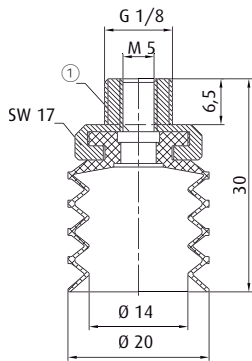
Additional sizes available are found on p. 124.

* When ordering please add the appropriate material code to item no. You will find it in the foldout. Average holding forces for Vacuum cups you will find on page 760



Vacuum cups by size | Bellows vacuum cups by \varnothing

\varnothing 20 - 21 mm

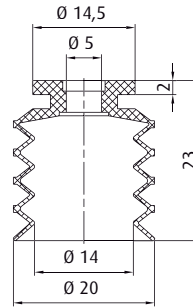


① = Filter screen

Item no. 24.020.033.*	Material SI (tr), CR (sw)	16 mm
---------------------------------	-------------------------------------	-------

Additional sizes available are found on p. 104.

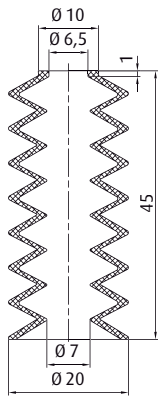
Spare cup



Item no. 25.020.025.*	Material SI (tr), CR (sw)	16 mm
---------------------------------	-------------------------------------	-------

Additional sizes available are found on p. 100.

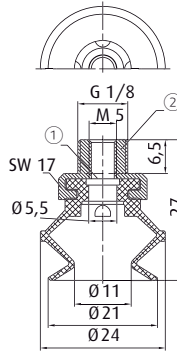
	Connection	see page
	M5-female	413
	G1/8-male	418
	G1/8-male	418



	Connection	see page
	M6-male	414
	M8-male	415
	G1/8-male	419

Item no. 25.020.002.*	Material SI (w)	26 mm
---------------------------------	---------------------------	-------

Additional sizes available are found on p. 104.

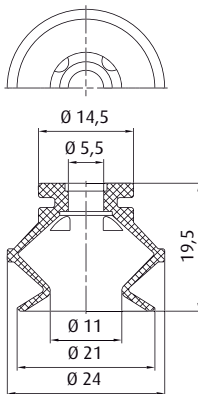


① = Filter screen ② = Aluminium

Item no. 22.020.020.*	Material Tepuflex® (or), SI (tr), CR (sw)	9 mm
---------------------------------	---	------

Additional sizes available are found on p. 104.

Spare cup



	Connection	see page
	M5-female	413
	G1/8-male	418
	G1/8-male	418

BESTSELLER

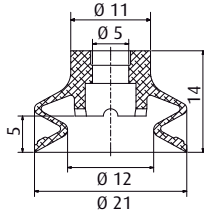
Item no. 23.020.026.*	Material Tepuflex® (or), SI (tr), CR (sw)	9 mm
---------------------------------	---	------

Additional sizes available are found on p. 100.

* When ordering please add the appropriate material code to item no. You will find it in the foldout.
Average holding forces for Vacuum cups you will find on page 760



NEW



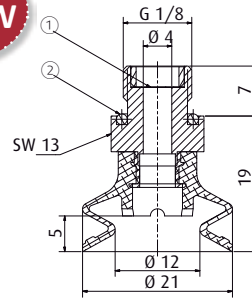
	Connection	see page
270.500-S	M5-female	413
270.503-S	G1/8-male	418

Spare cup

Item no. 23.021.264.* **Material** Varioflex® 60/30° (sw/r) **5 mm**

Additional sizes available are found on p. 107.

NEW

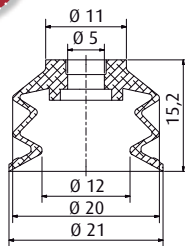


① = Filter screen ② = O-ring

Item no. 22.021.255.* **Material** Varioflex® 60/30° (sw/r) **5 mm**

Additional sizes available are found on p. 107.

NEW



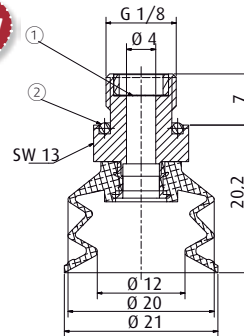
	Connection	see page
270.500-S	M5-female	413
270.503-S	G1/8-male	418

Spare cup

Item no. 21.021.176.* **Material** Varioflex® 60/30° (sw/r) **6.5 mm**

Additional sizes available are found on p. 110.

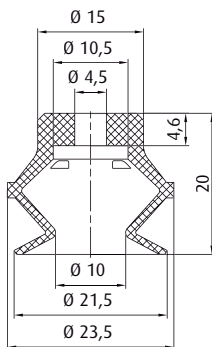
NEW



① = Filter screen ② = O-ring

Item no. 20.021.147.* **Material** Varioflex® 60/30° (sw/r) **6.5 mm**

Additional sizes available are found on p. 110.



	Connection	see page
270.311	M5-male	411
270.063	G1/8-male	419
270.061	G1/8-female	422

Item no. 23.020.124.* **Material** NBR (sw), HNBR (ge), SI (tr), PU (bl) **8 mm**

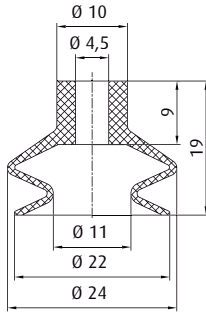
Additional sizes available are found on p. 86.
This vacuum cup is also available in the following dimensions: 11 mm, 15 mm, 32 mm, 42 mm, 54 mm

* When ordering please add the appropriate material code to item no. You will find it in the foldout.
Average holding forces for Vacuum cups you will find on page 760



Vacuum cups by size | Bellows vacuum cups by Ø

Ø 22 - 24 mm



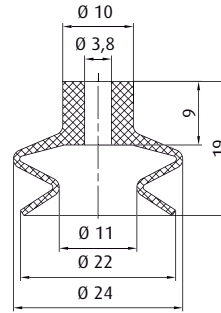
Icon	Connection	see page
	M5-male	410
	M5-female	412
	M6-male	413
	G1/8-male	416
	G1/8-female	421
	G1/4-male	425

Icon	see page
	25 mm

BESTSELLER

Item no. 23.022.028.* Material NBR (sw), SI (tr), Vinyl (bl) 8 mm

Additional sizes available are found on p. 113.

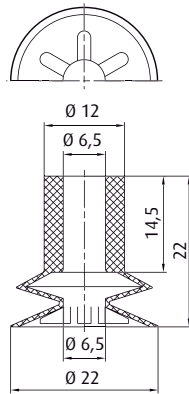


Icon	Connection	see page
	M5-male	409
	M5-female	412
	M6-male	413
	G1/8-male	416
	G1/8-female	421

UP TO 160 °C & MINIMUM MARKING

Item no. 23.022.239.* Material Thermalon® (bl) 8 mm

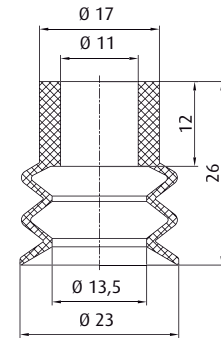
Additional sizes available are found on p. 84.



Icon	Connection	see page
	M5-male	410
	G1/8-male	417
	G1/8-female	422
	G1/4-male	425

Item no. 23.023.099.* Material NR (br) 5 mm

Additional sizes available are found on p. 23.

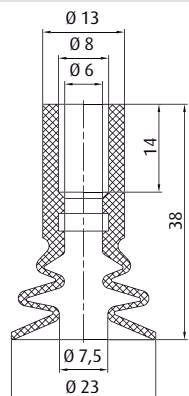


Icon	Connection	see page
	M10-male	416
	G1/4-male	426
	G1/4-female	431

BESTSELLER

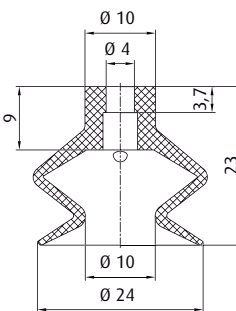
Item no. 21.023.066.* Material Vinyl (bl) 9 mm

Additional sizes available are found on p. 116.



Icon	Connection	see page
	G1/8-male	419
	G1/8-female	422
	G1/4-male	425
	G1/4-female	431

Item no. 21.023.102.* Material SI (g) 12 mm



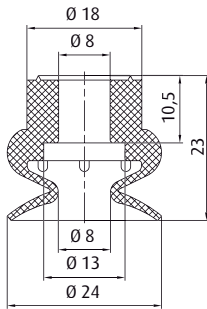
Icon	Connection	see page
	M5-male	410
	M5-female	412
	M6-male	413
	G1/8-male	416
	G1/8-female	421
	G1/4-male	425

BESTSELLER

Item no. 23.025.137.* Material NBR (sw), SI (tr), NR (gr) 9 mm

Additional sizes available are found on p. 81.

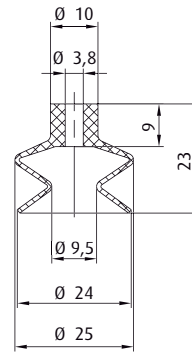
* When ordering please add the appropriate material code to item no. You will find it in the foldout. Average holding forces for Vacuum cups you will find on page 760



	Connection	see page
270.093	G1/8-male	421
270.092	G1/8-female	424
270.249	G1/4-male	427
270.248	G1/4-female	433

Item no. 23.025.030. * **Material** NBR (sw), SI (r), NR (bg) 5 mm

This vacuum cup is also available in the following dimensions: 14 mm, 40 mm, 60 mm

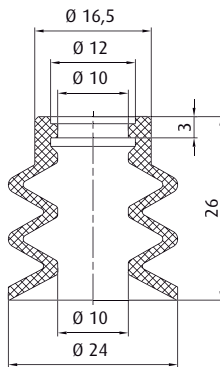


	Connection	see page
270.134	M5-male	409
270.347	M5-female	412
270.104	M6-male	413
270.033	G1/8-male	416
270.478	G1/8-female	421

UP TO 160 °C & MINIMUM MARKING

Item no. 23.025.240. * **Material** Thermalon® (bl) 12 mm

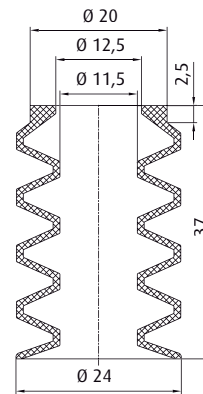
Additional sizes available are found on p. 84.



	Connection	see page
270.097	G1/4-male	426
270.098	G1/4-female	432

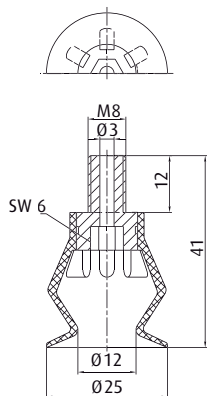
Item no. 21.024.017. * **Material** NBR (sw), SI (tr) 10 mm

This vacuum cup is also available in the following dimensions: 10 mm, 15 mm, 18 mm, 30 mm, 40 mm



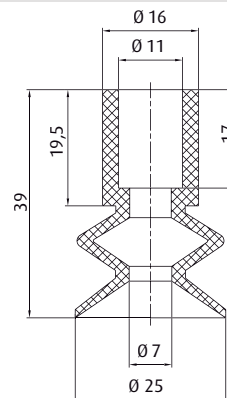
	Connection	see page
270.233	G1/8-female	438

Item no. 25.024.057. * **Material** SI (tr) 20 mm



Item no. 22.025.029. * **Material** NBR (sw), SI (tr), NR (sw) 11 mm

This vacuum cup is also available in the following dimensions: 31 mm, 44 mm



	Connection	see page
270.177	M10-male	416
270.451	G1/4-male	426
270.452	G1/4-female	431

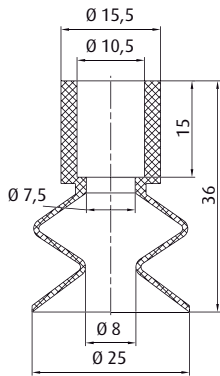
Item no. 23.025.032. * **Material** SI (tr), NR (sw), NR (br) 12 mm

* When ordering please add the appropriate material code to item no. You will find it in the foldout. Average holding forces for Vacuum cups you will find on page 760



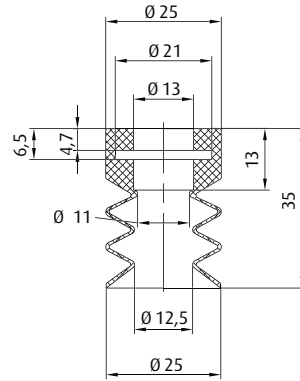
Vacuum cups by size | Bellows vacuum cups by \varnothing

\varnothing 25 mm



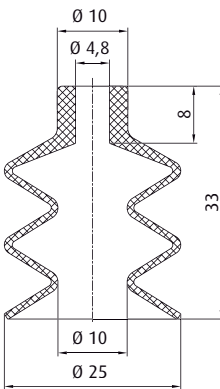
Icon	Connection	see page
	M5-male	410
	M10-male	416
	G1/4-male	426
	G1/4-female	431

Item no. 23.025.200.* **Material** Vulkollan® (br) 13 mm



Icon	Connection	see page
	G1/4-male	426

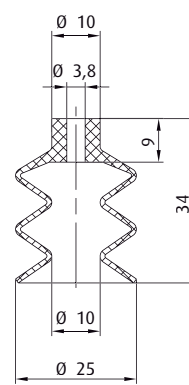
Item no. 21.025.059.* **Material** SI (tr) 16 mm



Icon	Connection	see page
	M5-male	410
	M5-female	412
	M6-male	413
	G1/8-male	416
	G1/8-female	421
	G1/4-male	425

Item no. 21.025.060.* **Material** NBR (sw), SI (tr) 19 mm

Additional sizes available are found on p. 89.

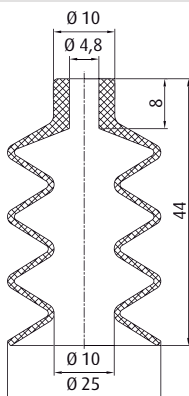


Icon	Connection	see page
	M5-male	409
	M5-female	412
	M6-male	413
	G1/8-male	416
	G1/8-female	421

Item no. 21.025.153.* **Material** Thermalon® (bl) 20 mm

Additional sizes available are found on p. 92.

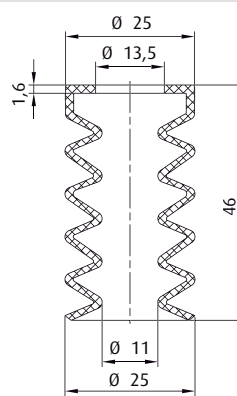
UP TO 160 °C & MINIMUM MARKING



Icon	Connection	see page
	M5-male	410
	M5-female	412
	M6-male	413
	G1/8-male	416
	G1/8-female	421
	G1/4-male	425

Item no. 25.025.005.* **Material** NBR (sw), SI (tr) 24 mm

Additional sizes available are found on p. 96.



Icon	Connection	see page
	G1/4-male	431
	G1/4-female	434

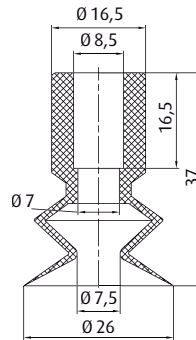
Item no. 25.025.004.* **Material** SI (tr) 29 mm

* When ordering please add the appropriate material code to item no. You will find it in the foldout. Average holding forces for Vacuum cups you will find on page 760



	Connection	see page
270.013	M5-male	410
270.005	M5-female	412
270.103	M6-male	413
270.003	G1/8-male	416
270.015	G1/8-female	421
270.194	G1/4-male	425

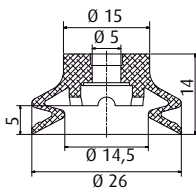
Item no. 23.026.115.* **Material** Vinyl (bl) 8 mm



	Connection	see page
270.244	M5-male	410
270.177	M10-male	416
270.451	G1/4-male	426
270.452	G1/4-female	431

Item no. 23.026.118.* **Material** Vinyl (bl) 12.5 mm

NEW

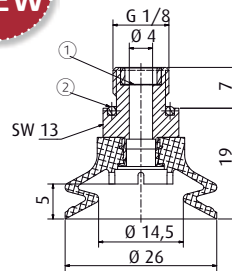


	Connection	see page
270.500-S	M5-female	413
270.503-S	G1/8-male	418

Item no. 23.026.265.* **Material** Varioflex® 60/30° (sw/r) 5 mm

Additional sizes available are found on p. 107.

NEW

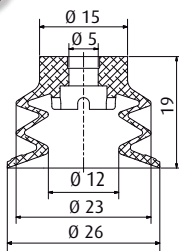


① = Filter screen ② = O-ring

Item no. 22.026.256.* **Material** Varioflex® 60/30° (sw/r) 5 mm

Additional sizes available are found on p. 107.

NEW



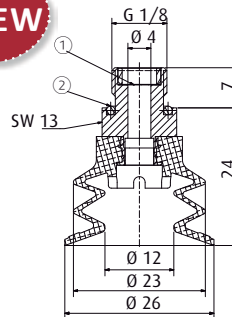
	Connection	see page
270.500-S	M5-female	413
270.503-S	G1/8-male	418

Item no. 21.026.177.* **Material** Varioflex® 60/30° (sw/r) 8 mm

Additional sizes available are found on p. 110.

Ordering notes: For version with in bellows inserted filter disc please add "-FI" to material code

NEW



① = Filter screen ② = O-ring

Item no. 20.026.148.* **Material** Varioflex® 60/30° (sw/r) 8 mm

Additional sizes available are found on p. 110.

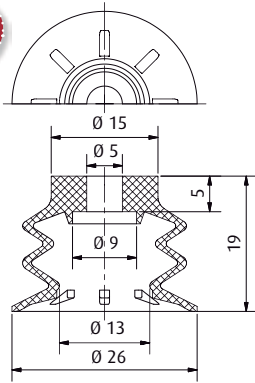
* When ordering please add the appropriate material code to item no. You will find it in the foldout.
Average holding forces for Vacuum cups you will find on page 760



Vacuum cups by size | Bellows vacuum cups by Ø

Ø 26 - 29 mm

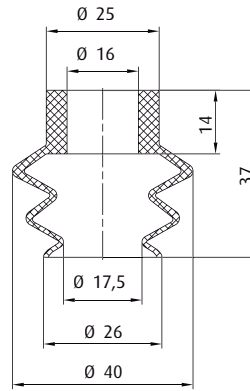
NEW



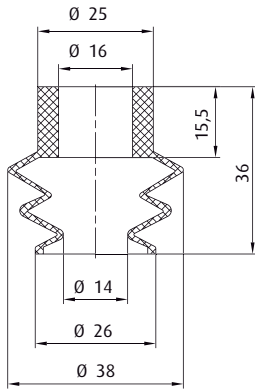
	Connection	see page
270.063	G1/8-male	419
270.061	G1/8-female	422

Item no. 21.026.162.* Material NR (br) 9 mm

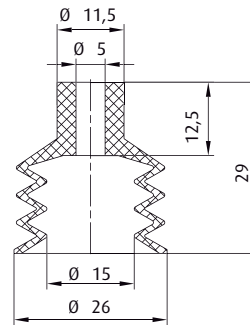
Additional sizes available are found on p. 23.



Item no. 27.026.005.* Material SI (tr) 16 mm

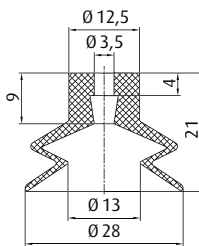


Item no. 27.026.015.* Material SI (tr) 16 mm



Item no. 25.025.003.* Material SI (tr), NR (sw) 9 mm

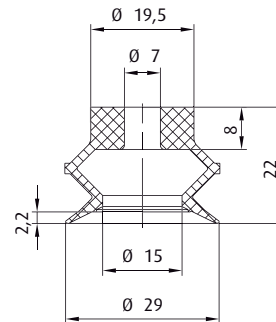
	Connection	see page
270.013	M5-male	410
270.103	M6-male	413
270.003	G1/8-male	416
270.015	G1/8-female	421
270.194	G1/4-male	425



	Connection	see page
270.134	M5-male	409
270.347	M5-female	412
270.104	M6-male	413
270.033	G1/8-male	416
270.478	G1/8-female	421

Item no. 23.028.113.* Material Vinyl (bl) 9 mm

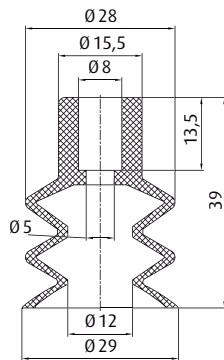
Additional sizes available are found on p. 113.



	Connection	see page
270.030	G1/8-male	419
270.019	G1/8-female	423
270.274	G1/4-male	427
270.275	G1/4-female	432

Item no. 23.030.088.* Material NBR (gr), SI (tr), PU (bg) 10 mm

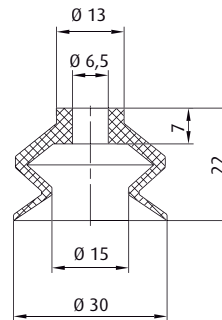
* When ordering please add the appropriate material code to item no. You will find it in the foldout. Average holding forces for Vacuum cups you will find on page 760



	Connection	see page
270.132	G1/8-male	417
270.114	G1/8-female	422
270.043	G1/4-male	425
270.178	G1/4-female	431

Item no. 21.029.069.* **Material** Vinyl (bl) 10 mm

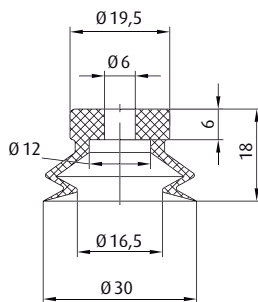
Additional sizes available are found on p. 116.



	Connection	see page
270.312/19	M6-male	414
270.030	G1/8-male	419
270.019	G1/8-female	423
270.274	G1/4-male	427
270.275	G1/4-female	432

Item no. 23.030.107.* **Material** Vinyl (bl) 10.5 mm

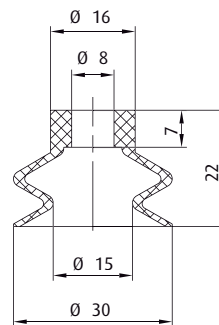
Additional sizes available are found on p. 113.



	Connection	see page
270.312/19	M6-male	414
270.030	G1/8-male	419
270.019	G1/8-female	423
270.483	G1/4-male	429
270.484	G1/4-female	433

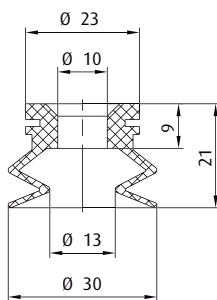
Item no. 23.030.155.* **Material** SI (tr) 4.5 mm

This vacuum cup is also available in the following dimensions: 6 mm, 10 mm, 15 mm, 20 mm



	Connection	see page
270.255	M8-male	415
270.486	G1/8-male	420
270.485	G1/8-female	423
270.487	G1/4-male	429
270.488	G1/4-female	434

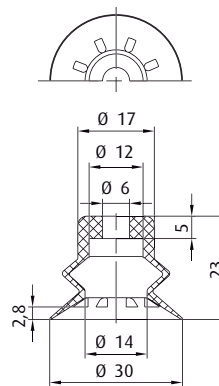
Item no. 23.030.193.* **Material** Vulkollan® (br) 8 mm



	Connection	see page
270.177	M10-male	416
270.451	G1/4-male	426
270.452	G1/4-female	431

Item no. 23.030.230.* **Material** NR (gr) 7 mm

Additional sizes available are found on p. 130.



	Connection	see page
270.460	M6-male	414
270.482	G1/8-male	420
270.481	G1/8-female	423
270.483	G1/4-male	429
270.484	G1/4-female	433

		see page
50.085	6 mm	454
50.128	10 mm	454
50.129	15 mm	454
50.095	20 mm	456
50.096	30 mm	456
50.097	40 mm	456
50.098	50 mm	456

Item no. 23.030.141.* **Material** NBR (sw), SI (tr) 8 mm

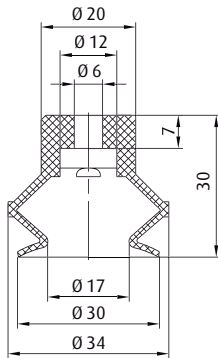
Additional sizes available are found on p. 119.

* When ordering please add the appropriate material code to item no. You will find it in the foldout. Average holding forces for Vacuum cups you will find on page 760



Vacuum cups by size | Bellows vacuum cups by Ø

Ø 30 mm

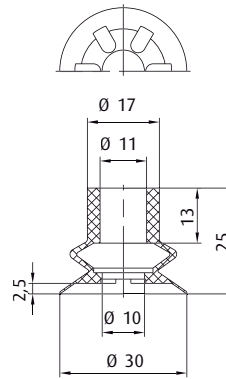


	Connection	see page
270.312/19	M6-male	414
270.482	G1/8-male	420
270.481	G1/8-female	423
270.483	G1/4-male	429
270.484	G1/4-female	433

		see page
50.095	20 mm	456
50.096	30 mm	456
50.097	40 mm	456
50.098	50 mm	456

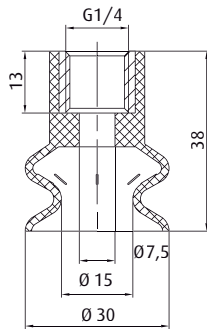
Item no. 23.030.170.* **Material** Vulkollan® (br) 8 mm

Additional sizes available are found on p. 97.



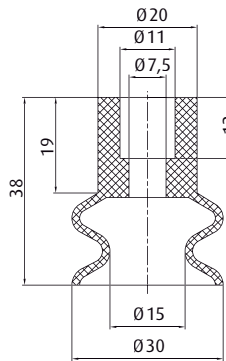
	Connection	see page
270.177	M10-male	416
270.451	G1/4-male	426
270.452	G1/4-female	431

Item no. 23.033.134.* **Material** Vinyl (bl) 10 mm



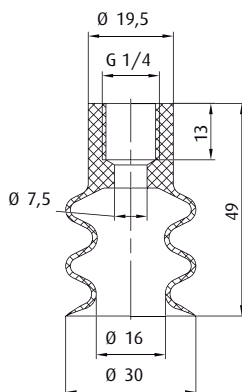
Item no. 22.030.035.* **Material** SI (tr), NR (sw) 16 mm

This vacuum cup is also available in the following dimensions: 40 mm, 44 mm, 50 mm



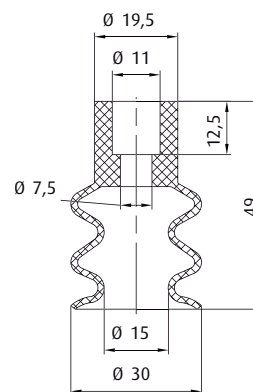
	Connection	see page
270.177	M10-male	416
270.451	G1/4-male	426
270.452	G1/4-female	431

Item no. 23.030.038.* **Material** NBR (sw), SI (tr) 16 mm



Item no. 20.030.044.* **Material** SI (tr), NR (sw) 19 mm

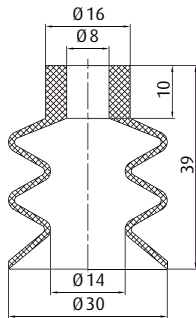
This vacuum cup is also available in the following dimensions: 40 mm, 50 mm



	Connection	see page
270.177	M10-male	416
270.451	G1/4-male	426
270.452	G1/4-female	431

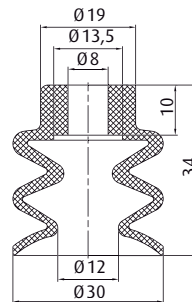
Item no. 21.030.021.* **Material** SI (tr), NR (sw), NR (bg) 18 mm

* When ordering please add the appropriate material code to item no. You will find it in the foldout. Average holding forces for Vacuum cups you will find on page 760



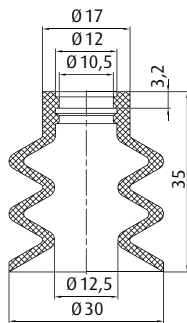
Item no.	Connection	see page
270.315	M6-male	414
270.132	G1/8-male	417
270.114	G1/8-female	422
270.540	G1/4-male	429
270.539	G1/4-female	434

Item no. 21.030.018.* Material NBR (sw), SI (r) 18 mm
 This vacuum cup is also available in the following dimensions: 15 mm, 20 mm



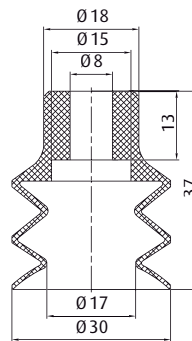
Item no.	Connection	see page
270.132	G1/8-male	417
270.114	G1/8-female	422
270.208	G1/4-male	425
270.178	G1/4-female	431

Item no. 21.030.019.* Material NBR (sw), SI (r), NR (bg), PU (bl) 13 mm



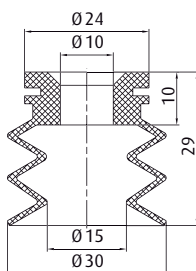
Item no.	Connection	see page
270.097	G1/4-male	426
270.098	G1/4-female	432

Item no. 21.030.022.* Material NBR (sw), SI (bl) 14 mm
 This vacuum cup is also available in the following dimensions: 10 mm, 15 mm, 18 mm, 24 mm, 40 mm



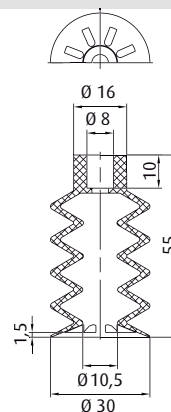
Item no.	Connection	see page
270.315	M6-male	414
270.132	G1/8-male	417
270.114	G1/8-female	422
270.190	G1/4-male	428
270.540	G1/4-male	429
270.192	G1/4-female	432
270.539	G1/4-female	434

Item no. 21.032.091.* Material Vulkollan® (br) 16 mm
 Additional sizes available are found on p. 97.



Item no.	Connection	see page
270.177	M10-male	416
270.451	G1/4-male	426
270.452	G1/4-female	431

Item no. 21.030.030.* Material SI (tr), NR (bl) 13 mm
 Additional sizes available are found on p. 130.



Item no.	Connection	see page
270.132	G1/8-male	417
270.114	G1/8-female	422
270.043	G1/4-male	425
270.178	G1/4-female	431

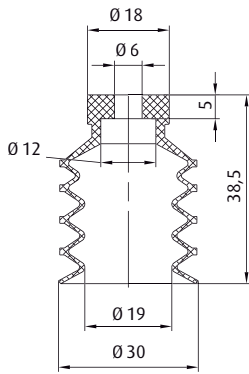
Item no. 25.030.030.* Material NBR (sw), SI (tr) 27 mm

* When ordering please add the appropriate material code to item no. You will find it in the foldout.
 Average holding forces for Vacuum cups you will find on page 760



Vacuum cups by size | Bellows vacuum cups by Ø

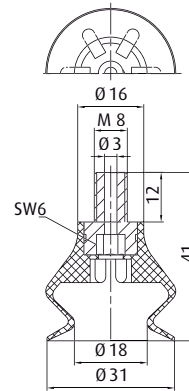
Ø 30 - 31 mm



Connection	see page
270.460 M6-male	414
270.482 G1/8-male	420
270.481 G1/8-female	423
270.483 G1/4-male	429
270.484 G1/4-female	433

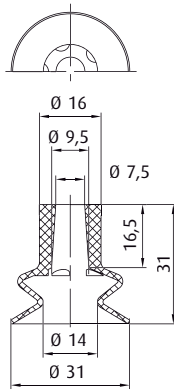
Item no. 25.030.046.* **Material** NBR (sw), SI (tr) **Ø** 14 mm

Additional sizes available are found on p. 124.



Item no. 22.030.036.* **Material** NBR (sw), SI (tr), NR (sw) **Ø** 9 mm

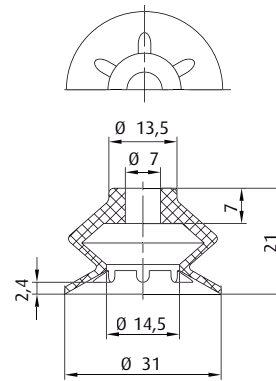
This vacuum cup is also available in the following dimensions: 25 mm, 44 mm



Connection	see page
270.132 G1/8-male	417
270.114 G1/8-female	422
270.208 G1/4-male	425
270.178 G1/4-female	431

Item no. 23.030.035.* **Material** NBR (sw), SI (r) **Ø** 11 mm

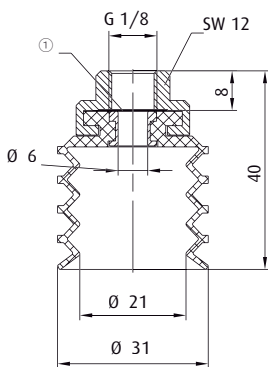
This vacuum cup is also available in the following dimensions: 53 mm, 75 mm



Connection	see page
270.312/19 M6-male	414
270.030 G1/8-male	419
270.019 G1/8-female	423
270.274 G1/4-male	427
270.275 G1/4-female	432

Item no. 23.031.192.* **Material** Vinyl (bl) **Ø** 6 mm

Additional sizes available are found on p. 113.

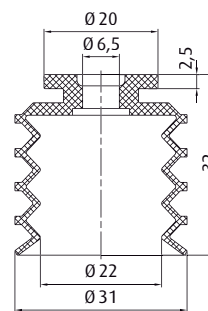


① = Filter screen

Item no. 24.030.039.* **Material** SI (tr), CR (sw) **Ø** 21 mm

Additional sizes available are found on p. 104.

Spare cup

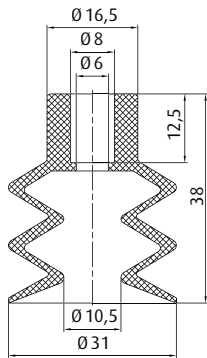


Connection	see page
270.251 G1/8-female	423
270.501-S G1/8-female	424
270.506-S G1/4-male	428
270.505-S G3/8-male	434

Item no. 25.030.026.* **Material** SI (tr), CR (sw) **Ø** 21 mm

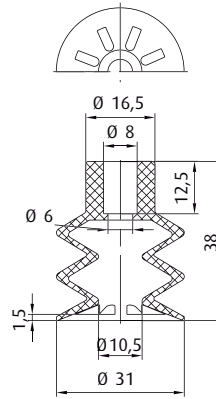
Additional sizes available are found on p. 100.

* When ordering please add the appropriate material code to item no. You will find it in the foldout. Average holding forces for Vacuum cups you will find on page 760



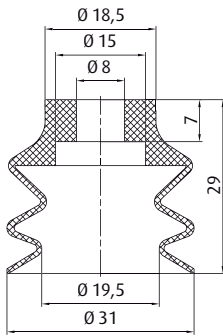
Item no.	Connection	see page
270.132	G1/8-male	417
270.114	G1/8-female	422
270.043	G1/4-male	425
270.178	G1/4-female	431

Item no. 21.030.023_* **Material** NBR (sw), SI (tr), NR (sw) **Height** 15 mm



Item no.	Connection	see page
270.132	G1/8-male	417
270.114	G1/8-female	422
270.043	G1/4-male	425
270.178	G1/4-female	431

Item no. 27.030.006_* **Material** NBR (sw), SI (tr), NR (sw) **Height** 15 mm

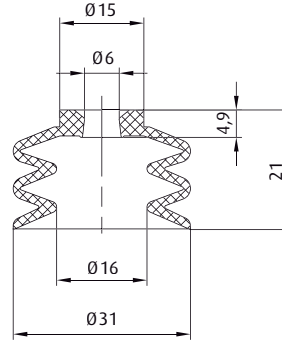


Item no.	Connection	see page
270.255	M8-male	415
270.486	G1/8-male	420
270.485	G1/8-female	423
270.487	G1/4-male	429
270.488	G1/4-female	434

WEAR-RESISTANT

Item no. 21.030.076_* **Material** Vulkollan® (br) **Height** 14 mm

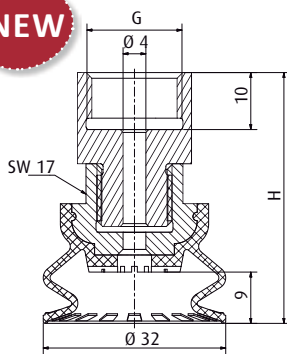
Additional sizes available are found on p. 97.



Item no.	Connection	see page
270.460	M6-male	414
270.482	G1/8-male	420
270.481	G1/8-female	423
270.483	G1/4-male	429
270.484	G1/4-female	433

Item no. 21.031.048_* **Material** SI (tr), NR (sw) **Height** 6 mm

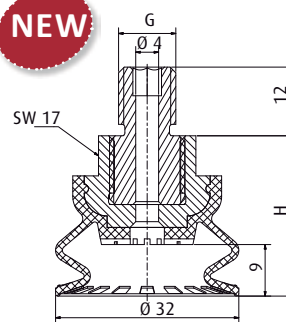
NEW



Item no.	Material	Height [mm]	Connection thread	H [mm]
22.030.172_*	NBR (bl)	9	G1/4-female	28
22.030.173_*	NBR (bl)	9	G3/8-female	44

Additional sizes available are found on p. 133.

NEW



Item no.	Material	Height [mm]	Connection thread	H [mm]
22.030.171_*	NBR (bl)	9	G1/4-male	28
22.030.174_*	NBR (bl)	9	M10-male	28
22.030.175_*	NBR (bl)	9	M14x1.5-male	29

Additional sizes available are found on p. 133.

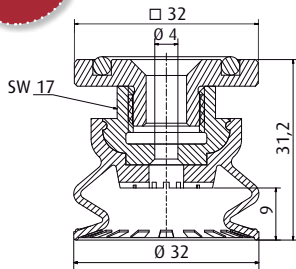
* When ordering please add the appropriate material code to item no. You will find it in the foldout. Average holding forces for Vacuum cups you will find on page 760



Vacuum cups by size | Bellows vacuum cups by Ø

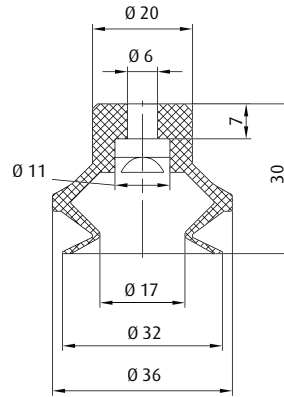
Ø 32 mm

NEW



Item no. 22.030.176._* **Material** NBR (bl) 9 mm

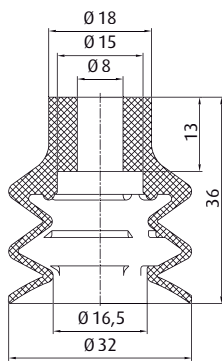
Additional sizes available are found on p. 133.



Item no. 23.030.125._* **Material** NBR (sw), HNBR (ge), SI (tr), PU (bl) 9 mm

Additional sizes available are found on p. 86.
This vacuum cup is also available in the following dimensions: 11 mm, 15 mm, 21 mm, 42 mm, 54 mm

	Connection	see page
	M6-male	414
	G1/8-male	419
	G1/8-female	423
	G1/4-male	427
	G1/4-female	432

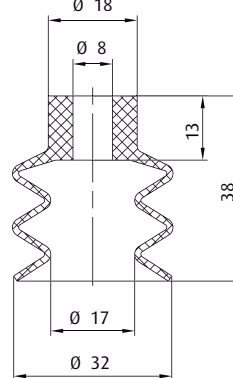


	Connection	see page
	M6-male	414
	G1/8-male	420
	G1/8-female	422
	G1/4-male	428
	G1/4-female	432

BESTSELLER

Item no. 21.032.075._* **Material** NBR (sw), HNBR (ge), SI (tr), NR (gr), PU (bl) 13 mm

Additional sizes available are found on p. 89.

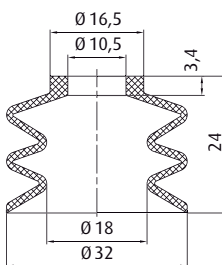


	Connection	see page
	M6-male	414
	G1/8-male	420
	G1/8-female	422
	G1/4-male	428
	G1/4-female	432

UP TO 160 °C & MINIMUM MARKING

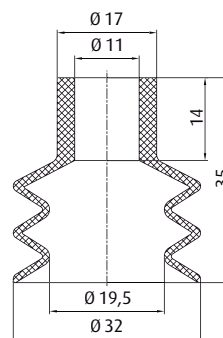
Item no. 21.032.154._* **Material** Thermalon® (bl) 14.5 mm

Additional sizes available are found on p. 92.



	Connection	see page
	M5-male	412
	M6-male	415
	M8-male	415

Item no. 21.032.067._* **Material** Vinyl (bl) 10 mm

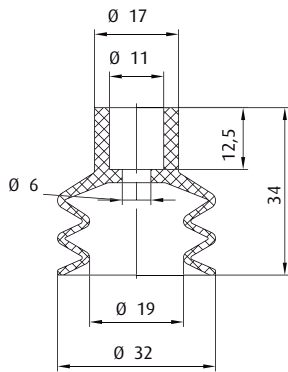


	Connection	see page
	M10-male	416
	G1/4-male	426
	G1/4-female	431

Item no. 21.032.082._* **Material** Vinyl (bl) 14 mm

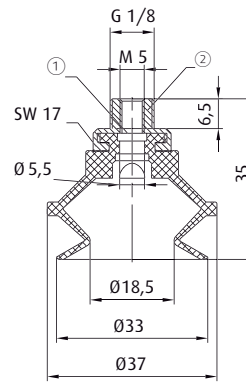
Additional sizes available are found on p. 116.

* When ordering please add the appropriate material code to item no. You will find it in the foldout.
Average holding forces for Vacuum cups you will find on page 760



	Connection	see page
270.177	M10-male	416
270.451	G1/4-male	426
270.452	G1/4-female	431

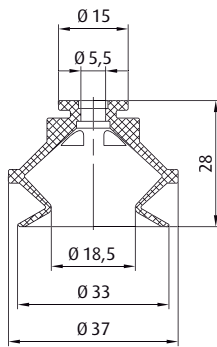
Item no. 21.032.081.* **Material** NR (sw) 13 mm



① = Filter screen ② = Aluminium

Item no. 22.030.033.* **Material** Tepuflex® (or), SI (tr), CR (sw) 9 mm

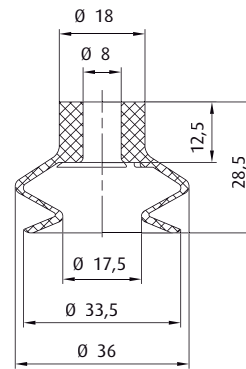
Additional sizes available are found on p. 104.



	Connection	see page
270.500-S	M5-female	413
270.250	G1/8-male	418
270.503-S	G1/8-male	418

Item no. 23.030.037.* **Material** Tepuflex® (or), SI (tr), CR (sw) 9 mm

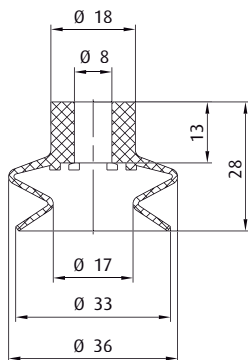
Additional sizes available are found on p. 100.



	Connection	see page
270.315	M6-male	414
270.196	G1/8-male	420
270.114	G1/8-female	422
270.190	G1/4-male	428
270.192	G1/4-female	432

Item no. 23.033.039.* **Material** NBR (sw), SI (tr), NR (gr) 12 mm

Additional sizes available are found on p. 81.

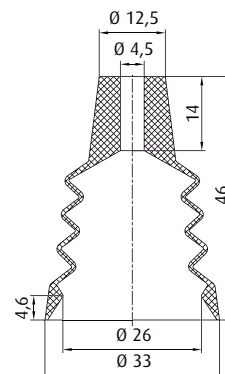


	Connection	see page
270.315	M6-male	414
270.196	G1/8-male	420
270.114	G1/8-female	422
270.190	G1/4-male	428
270.192	G1/4-female	432

UP TO 160 °C & MINIMUM MARKING

Item no. 23.033.241.* **Material** Thermalon® (bl) 11 mm

Additional sizes available are found on p. 84.



	Connection	see page
270.443	M5-male	410
270.238	G1/8-male	417
270.110	G1/8-female	422
270.534	G1/4-male	425

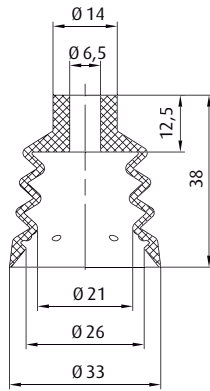
Item no. 27.033.017.* **Material** SI (tr) 25 mm

* When ordering please add the appropriate material code to item no. You will find it in the foldout. Average holding forces for Vacuum cups you will find on page 760



Vacuum cups by size | Bellows vacuum cups by Ø

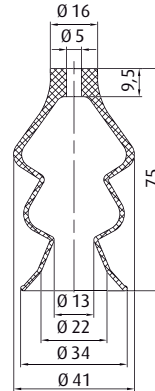
Ø 33 - 35 mm



Icon	Connection	see page
	G1/8-male	417
	G1/8-female	422
	G1/4-male	425
	G1/4-female	431

Item no. 27.033.008.* **Material** SI (tr) 16 mm

Additional sizes available are found on p. 129.

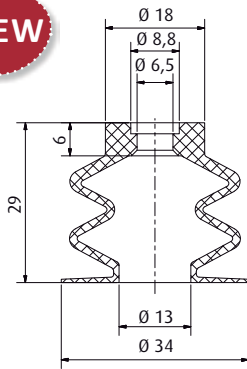


Icon	Connection	see page
	M5-male	410
	G1/8-male	417
	G1/8-female	422
	G1/4-male	425

Item no. 27.034.023.* **Material** SI (r) 39 mm

Additional sizes available are found on p. 129.

NEW

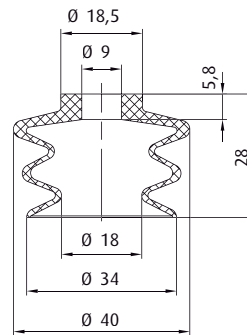


Icon	Connection	see page
	M6-male	414

IDEAL FOR WAFERS

Item no. 21.034.179.* **Material** SI (tr) 12 mm

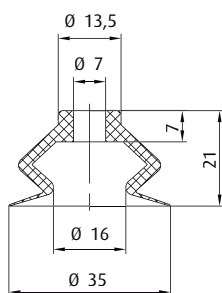
Additional sizes available are found on p. 126.



Icon	Connection	see page
	G1/8-male	420
	G1/8-female	423
	G1/4-male	429
	G1/4-female	433

Item no. 27.034.003.* **Material** Vulkollan® (br) 18 mm

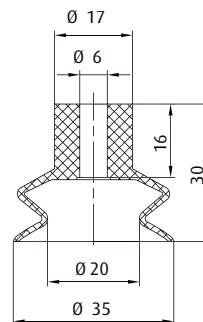
Additional sizes available are found on p. 129.



Icon	Connection	see page
	M6-male	414
	G1/8-male	420
	G1/8-female	423
	G1/4-male	429
	G1/4-female	433

Item no. 23.035.106.* **Material** Vinyl (bl) 14 mm

Additional sizes available are found on p. 129.



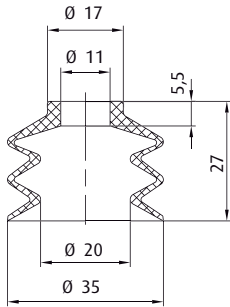
Icon	Connection	see page
	M5-male	410
	G1/8-male	417
	G1/8-female	422
	G1/4-male	425

BESTSELLER

Item no. 23.035.111.* **Material** Vinyl (bl) 12 mm

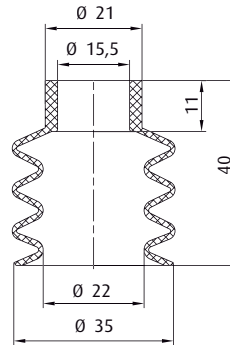
Additional sizes available are found on p. 113.

* When ordering please add the appropriate material code to item no. You will find it in the foldout.
Average holding forces for Vacuum cups you will find on page 760

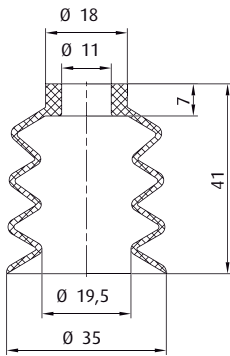


	Connection	see page
270.313	M8-male	415
270.177	M10-male	416
270.183	G1/4-male	431
270.182	G1/4-female	434

Item no. 21.035.080.* **Material** Vinyl (bl) 13 mm

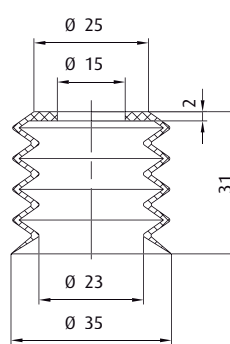


Item no. 25.035.011.* **Material** NR (sw), SI (tr) 20 mm



	Connection	see page
270.313	M8-male	415
270.177	M10-male	416
270.451	G1/4-male	426
270.452	G1/4-female	431

Item no. 25.036.040.* **Material** Vinyl (bl) 20 mm

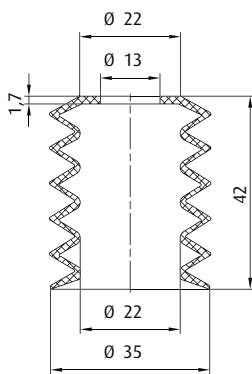


	Connection	see page
270.419	Without Thread	441

DETECTABLE

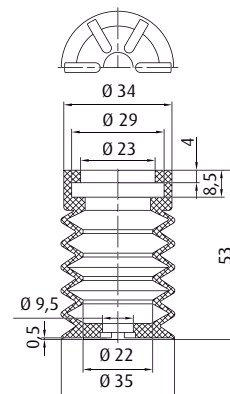
Item no. 25.035.069.* **Material** SI (r) 25 mm

Additional sizes available are found on p. 128.



	Connection	see page
270.419	Without Thread	441
270.183	G1/4-male	431
270.182	G1/4-female	434

Item no. 25.035.010.* **Material** SI (tr), NR (sw) 26.5 mm



	Connection	see page
270.235	G1/8-female	438

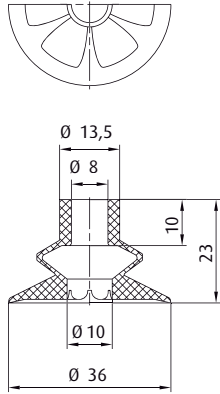
Item no. 25.036.041.* **Material** Vinyl (bl) 22 mm

* When ordering please add the appropriate material code to item no. You will find it in the foldout. Average holding forces for Vacuum cups you will find on page 760



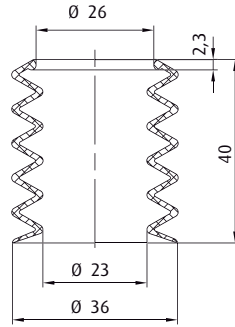
Vacuum cups by size | Bellows vacuum cups by Ø

Ø 36 - 37 mm



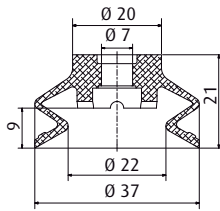
	Connection	see page
270.093	G1/8-male	421
270.092	G1/8-female	424
270.249	G1/4-male	427
270.248	G1/4-female	433

Item no. 27.036.011.* **Material** SI (tr), NR (sw) 7 mm



Item no. 25.036.072.* **Material** SI (tr) 24 mm

NEW

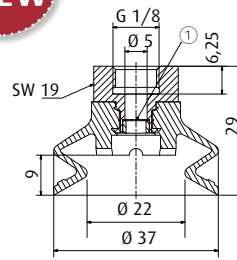


	Connection	see page
270.501-S	G1/8-female	424
270.506-S	G1/4-male	428
270.505-S	G3/8-male	434

Item no. 23.037.266.* **Material** Varioflex® 60/30° (sw/r) 9 mm

Additional sizes available are found on p. 107.

NEW



① = Filter screen

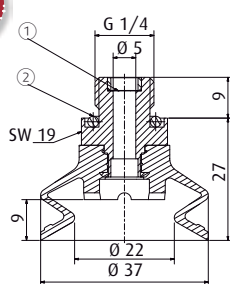
Item no. 22.037.257.* **Material** Varioflex® 60/30° (sw/r) 9 mm

Additional sizes available are found on p. 107.

Spare cup

Spare cup

NEW



① = Filter screen ② = O-ring

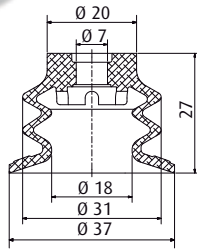
Item no. 22.037.258.* **Material** Varioflex® 60/30° (sw/r) 9 mm

Additional sizes available are found on p. 107.

* When ordering please add the appropriate material code to item no. You will find it in the foldout.
Average holding forces for Vacuum cups you will find on page 760



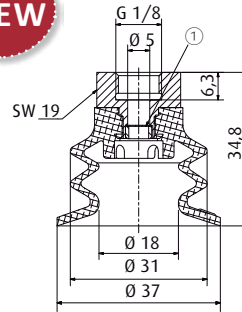
NEW



	Connection	see page
	270.501-S G1/8-female	424
	270.506-S G1/4-male	428
	270.505-S G3/8-male	434

Spare cup

NEW



① = Filter screen

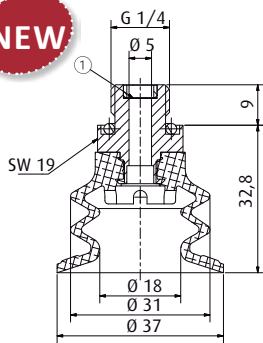
Item no. 21.037.177. * **Material** Varioflex® 60/30° (sw/r) 14 mm

Additional sizes available are found on p. 110.
Ordering notes: For version with in bellows inserted filter disc please add "-FI" to material code

Item no. 20.037.149. * **Material** Varioflex® 60/30° (sw/r) 14 mm

Additional sizes available are found on p. 110.
Ordering notes: For version with in bellows inserted filter disc please add "-FI" to material code

NEW

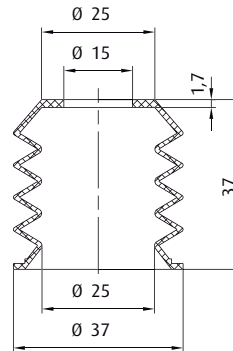


① = Filter screen

Item no. 20.037.150. * **Material** Varioflex® 60/30° (sw/r) 14 mm

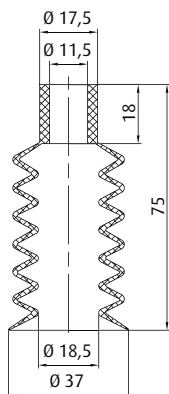
Additional sizes available are found on p. 110.
Ordering notes: For version with in bellows inserted filter disc please add "-FI" to material code

	Connection	see page
	270.419 Without Thread	441
	270.183 G1/4-male	431
	270.182 G1/4-female	434



Item no. 25.037.012. * **Material** SI (bl) 19 mm

NEW



	Connection	see page
	270.177 M10-male	416
	270.451 G1/4-male	426
	270.452 G1/4-female	431

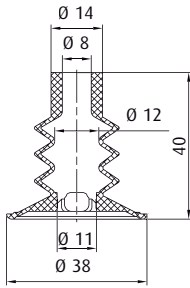
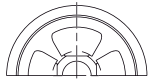
Item no. 25.038.039. * **Material** Vinyl (bl) 35 mm

* When ordering please add the appropriate material code to item no. You will find it in the foldout.
Average holding forces for Vacuum cups you will find on page 760



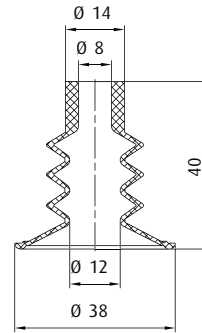
Vacuum cups by size | Bellows vacuum cups by Ø

Ø 38 - 39 mm



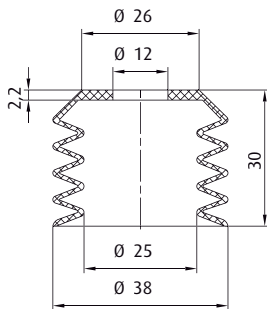
	Connection	see page
270.112	G1/8-male	419
270.114	G1/8-female	422
270.113	G1/4-male	425
270.178	G1/4-female	431

Item no. 27.038.012.* **Material** SI (tr), NR (br) 16 mm



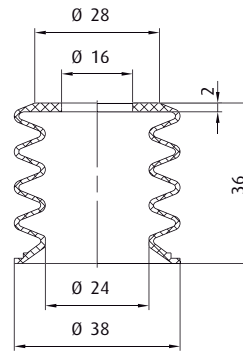
	Connection	see page
270.315	M6-male	414
270.112	G1/8-male	419
270.114	G1/8-female	422
270.113	G1/4-male	425
270.178	G1/4-female	431

Item no. 27.038.020.* **Material** SI (tr) 16 mm



	Connection	see page
270.419	Without Thread	441
270.183	G1/4-male	431
270.182	G1/4-female	434

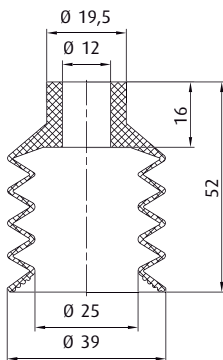
Item no. 25.038.014.* **Material** SI (tr) 18 mm



	Connection	see page
270.419	Without Thread	441
270.183	G1/4-male	431
270.182	G1/4-female	434

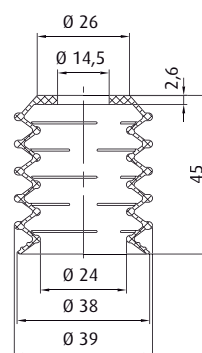
Item no. 25.038.016.* **Material** SI (tr) 24 mm

Additional sizes available are found on p. 126.



	Connection	see page
270.049-1	G1/4-male	426

Item no. 25.038.015.* **Material** NBR (sw), SI (tr) 23 mm

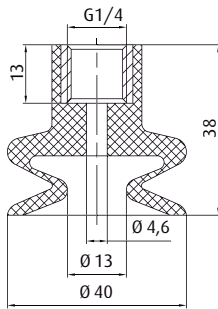


	Connection	see page
270.419	Without Thread	441
270.183	G1/4-male	431
270.182	G1/4-female	434

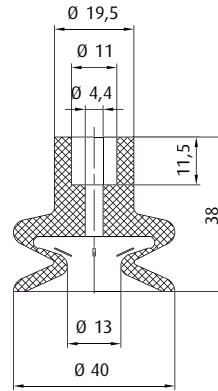
Item no. 27.039.017.* **Material** SI (tr) 20 mm

Additional sizes available are found on p. 126.

* When ordering please add the appropriate material code to item no. You will find it in the foldout. Average holding forces for Vacuum cups you will find on page 760

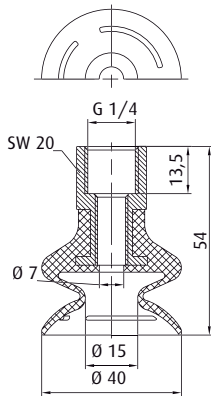


Item no. 22.040.046.* **Material** SI (tr), NR (sw) 7 mm
This vacuum cup is also available in the following dimensions: 30 mm, 44 mm, 50 mm

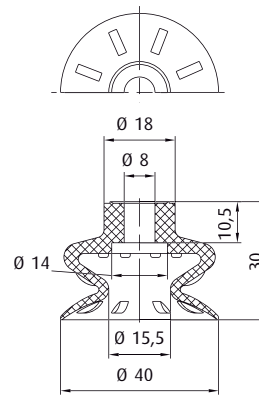


Item no. 23.040.044.* **Material** SI (tr), NR (sw) 7 mm

	Connection	see page
	M10-male	416
	G1/4-male	426
	G1/4-female	431



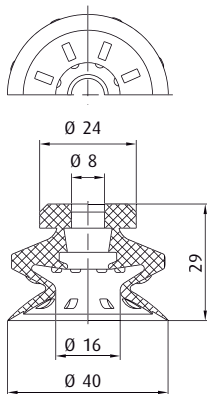
Item no. 22.040.048.* **Material** NBR (sw), SI (tr) 12 mm



Item no. 23.040.042.* **Material** NBR (sw), SI (r), NR (bg) 13 mm

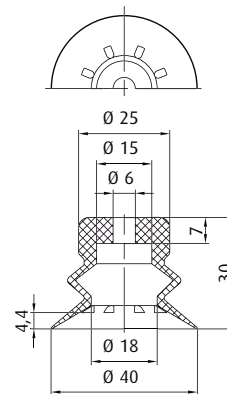
	Connection	see page
	G1/8-male	421
	G1/8-female	424
	G1/4-male	427
	G1/4-female	433

This vacuum cup is also available in the following dimensions: 14 mm, 24 mm, 60 mm



Item no. 23.040.223.* **Material** NR (br) 7 mm

	Connection	see page
	G1/4-male	425
	G1/4-female	431



Item no. 23.040.142.* **Material** NBR (sw), SI (tr) 9.5 mm

	Connection	see page
	M6-male	414
	G1/8-male	420
	G1/8-female	423
	G1/4-male	429
	G1/4-female	434

		see page
	20 mm	456
	30 mm	456
	40 mm	456
	50 mm	456

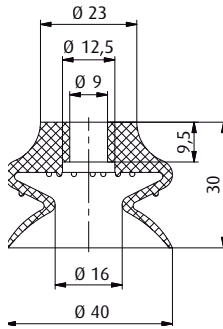
Additional sizes available are found on p. 119.

* When ordering please add the appropriate material code to item no. You will find it in the foldout. Average holding forces for Vacuum cups you will find on page 760



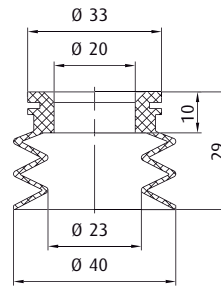
Vacuum cups by size | Bellows vacuum cups by Ø

Ø 40 mm



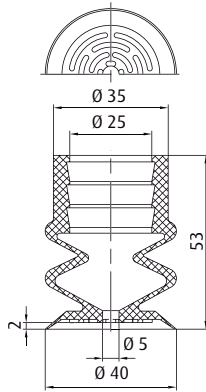
	Connection	see page
270.315	M6-male	414
270.540	G1/4-male	429
270.539	G1/4-female	434

Item no. 23.040.176.* **Material** Vulkollan® (br) 12 mm



Item no. 21.040.132.* **Material** SI (tr), SI (bl) 11 mm

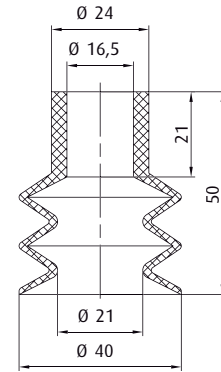
Additional sizes available are found on p. 130.



	Connection	see page
270.438	G1/4-male	427
270.442	G3/8-male	435

Item no. 21.040.141.* **Material** NR (bg) 18 mm

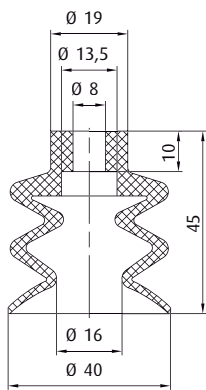
Additional sizes available are found on p. 23.



	Connection	see page
270.116	G1/4-female	432

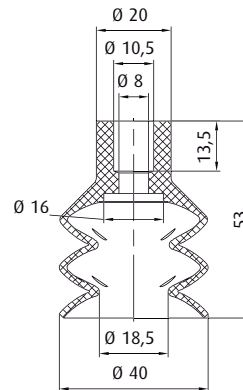
Item no. 21.040.024.* **Material** NBR (sw), SI (tr) 18 mm

This vacuum cup is also available in the following dimensions: 60 mm



	Connection	see page
270.093	G1/8-male	421
270.092	G1/8-female	424
270.249	G1/4-male	427
270.248	G1/4-female	433

Item no. 21.040.025.* **Material** NBR (sw), SI (r), NR (bg), PU (bl) 20 mm

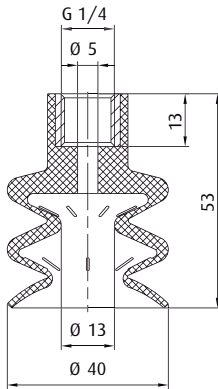


	Connection	see page
270.177	M10-male	416
270.451	G1/4-male	426
270.452	G1/4-female	431

Item no. 21.040.027.* **Material** NBR (sw), SI (tr), NR (br), Vinyl (bl) 16 mm

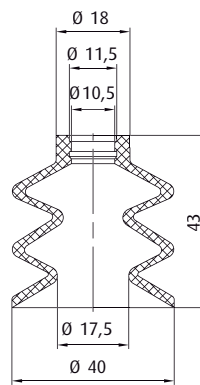
Additional sizes available are found on p. 116.

* When ordering please add the appropriate material code to item no. You will find it in the foldout.
Average holding forces for Vacuum cups you will find on page 760



Item no. 20.040.054.* **Material** NBR (sw), SI (tr), NR (sw), NR (bg) 16 mm

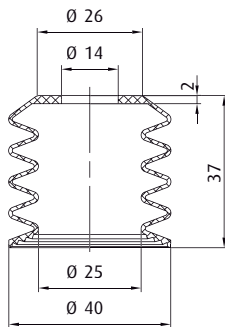
This vacuum cup is also available in the following dimensions: 30 mm, 50 mm



Item no. 21.040.028.* **Material** NBR (sw), SI (bl) 20 mm

This vacuum cup is also available in the following dimensions: 10 mm, 15 mm, 18 mm, 24 mm, 30 mm

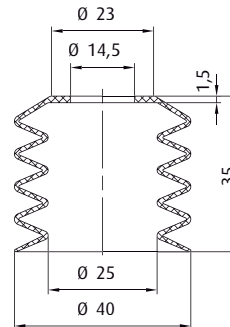
	Connection	see page
270.097	G1/4-male	426
270.098	G1/4-female	432



	Connection	see page
270.419	Without Thread	441
270.183	G1/4-male	431
270.182	G1/4-female	434

Item no. 25.040.043.* **Material** SI (tr) 24 mm

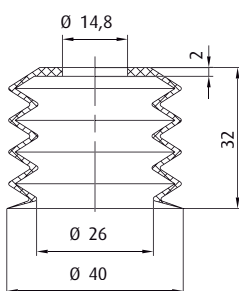
Additional sizes available are found on p. 126.



	Connection	see page
270.419	Without Thread	441
270.183	G1/4-male	431
270.182	G1/4-female	434

Item no. 25.040.058.* **Material** SI (bl) 25 mm

Additional sizes available are found on p. 126.

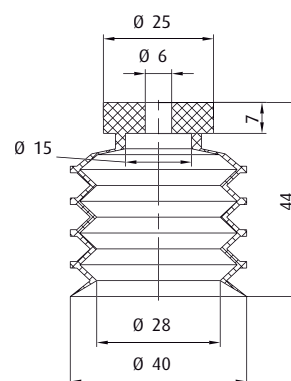


	Connection	see page
270.419	Without Thread	441

DETECTABLE

Item no. 25.040.066.* **Material** SI (br), SI (bl) 28 mm

Additional sizes available are found on p. 128.



	Connection	see page
270.486	G1/8-male	420
270.485	G1/8-female	423
270.487	G1/4-male	429
270.488	G1/4-female	434

Item no. 25.040.047.* **Material** NBR (sw), SI (tr) 19 mm

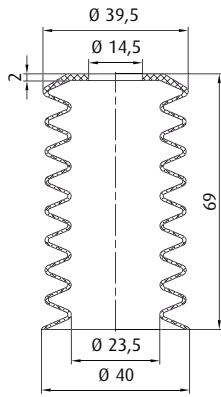
Additional sizes available are found on p. 124.

* When ordering please add the appropriate material code to item no. You will find it in the foldout. Average holding forces for Vacuum cups you will find on page 760



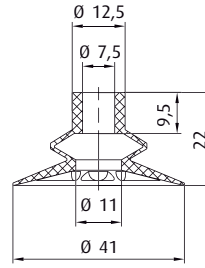
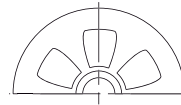
Vacuum cups by size | Bellows vacuum cups by \emptyset

\emptyset 40 - 42 mm



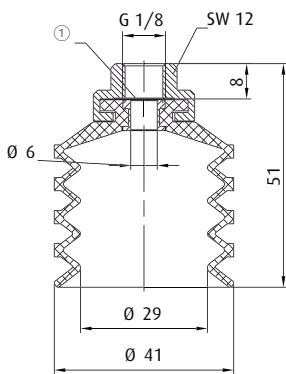
	Connection	see page
270.419	Without Thread	441
270.183	G1/4-male	431
270.182	G1/4-female	434

Item no. 25.040.019.* **Material** SI (tr) 40 mm



	Connection	see page
270.093	G1/8-male	421
270.092	G1/8-female	424
270.249	G1/4-male	427
270.248	G1/4-female	433

Item no. 23.040.084.* **Material** NBR (sw), SI (tr) 9 mm

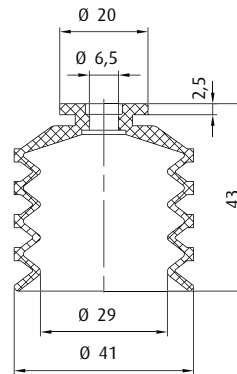


① = Filter screen

Item no. 24.040.074.* **Material** SI (tr), CR (sw) 20 mm

Additional sizes available are found on p. 104.

Spare cup

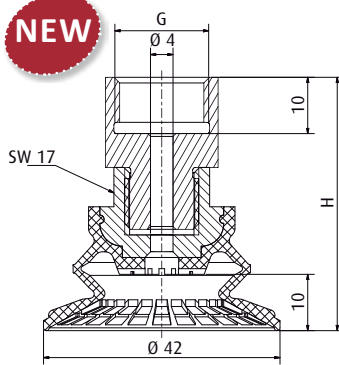


	Connection	see page
270.251	G1/8-female	423
270.501-S	G1/8-female	424
270.506-S	G1/4-male	428
270.505-S	G3/8-male	434

Item no. 25.040.027.* **Material** SI (tr), CR (sw) 20 mm

Additional sizes available are found on p. 100.

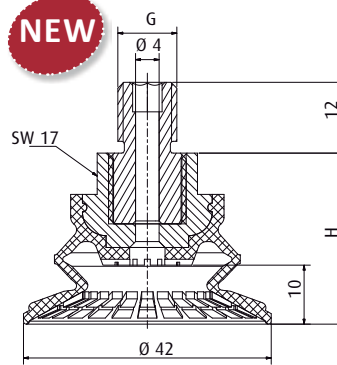
NEW



Item no.	Material	[mm]	Connection thread	H [mm]
22.040.178.*	NBR (bl)	10	G1/4-female	29
22.040.179.*	NBR (bl)	10	G3/8-female	29

Additional sizes available are found on p. 133.

NEW



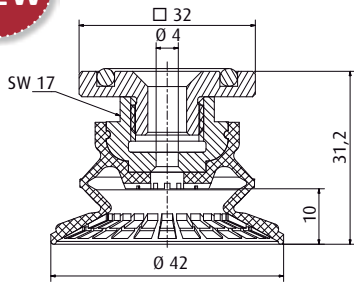
Item no.	Material	[mm]	Connection thread	H [mm]
22.040.177.*	NBR (bl)	10	G1/4-male	29
22.040.180.*	NBR (bl)	10	M10-male	29
22.040.181.*	NBR (bl)	10	M14x1.5-male	29

Additional sizes available are found on p. 133.

* When ordering please add the appropriate material code to item no. You will find it in the foldout. Average holding forces for Vacuum cups you will find on page 760

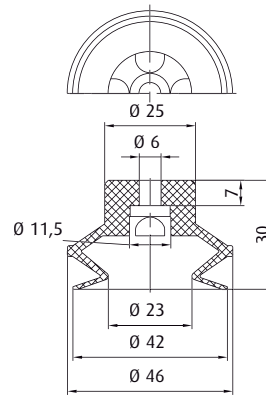


NEW



Item no. 22.040.182.* **Material** NBR (bl) 10 mm

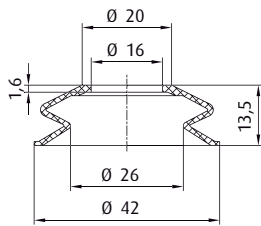
Additional sizes available are found on p. 133.



	Connection	see page
	M6-male	414
	G1/8-male	419
	G1/8-female	423
	G1/4-male	427
	G1/4-female	432

Item no. 23.040.126.* **Material** NBR (sw), SI (tr), PU (bl) 10 mm

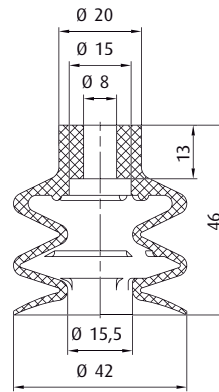
This vacuum cup is also available in the following dimensions: 11 mm, 15 mm, 21 mm, 32 mm, 54 mm



	Connection	see page
	Without Thread	441
	G1/4-male	431
	G1/4-female	434

Item no. 23.042.048.* **Material** SI (tr), NR (sw), NR (br) 11 mm

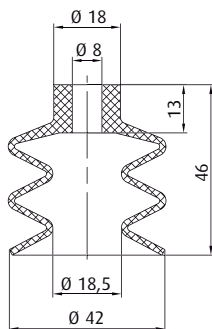
This vacuum cup is also available in the following dimensions: 47 mm



	Connection	see page
	M6-male	414
	G1/8-male	420
	G1/8-female	422
	G1/4-male	428
	G1/4-female	432

Item no. 21.043.049.* **Material** NBR (sw), HNBR (ge), SI (tr), NR (gr) 19 mm

Additional sizes available are found on p. 89.



	Connection	see page
	M6-male	414
	G1/8-male	420
	G1/8-female	422
	G1/4-male	428
	G1/4-female	432

UP TO 160 °C & MINIMUM MARKING

Item no. 21.042.155.* **Material** Thermalon® (bl) 22 mm

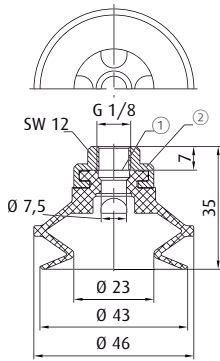
Additional sizes available are found on p. 92.

* When ordering please add the appropriate material code to item no. You will find it in the foldout. Average holding forces for Vacuum cups you will find on page 760



Vacuum cups by size | Bellows vacuum cups by Ø

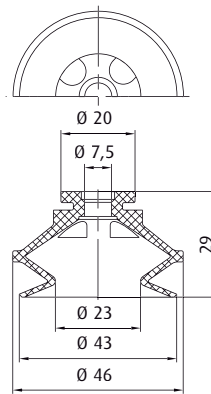
Ø 43 - 44 mm



① = Filter screen ② = Aluminium

Item no. 22.040.045.*	Material Tepuflex® (or), SI (tr), CR (sw)	9 mm
---------------------------------	---	------

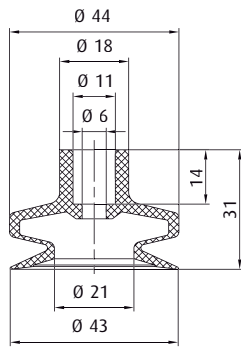
Additional sizes available are found on p. 104.



Item no. 23.040.045.*	Material Tepuflex® (or), SI (tr), CR (sw)	9 mm
---------------------------------	---	------

Additional sizes available are found on p. 100.

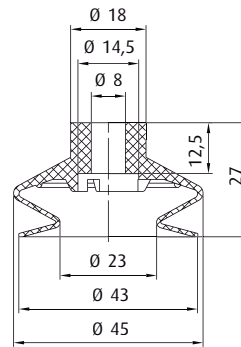
	Connection	see page
270.251	G1/8-female	423
270.501-S	G1/8-female	424
270.506-S	G1/4-male	428
270.505-S	G3/8-male	434



	Connection	see page
270.177	M10-male	416
270.451	G1/4-male	426
270.452	G1/4-female	431

Item no. 23.042.049.*	Material SI (tr), NR (sw)	14 mm
---------------------------------	-------------------------------------	-------

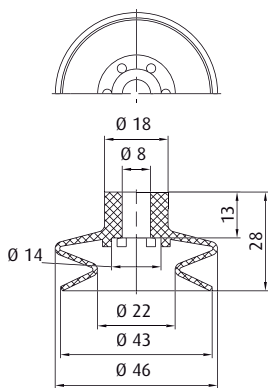
Additional sizes available are found on p. 81.



	Connection	see page
270.315	M6-male	414
270.196	G1/8-male	420
270.114	G1/8-female	422
270.190	G1/4-male	428
270.192	G1/4-female	432

Item no. 23.043.096.*	Material NBR (sw), HNBR (ge), SI (tr), NR (gr)	12 mm
---------------------------------	--	-------

Additional sizes available are found on p. 81.

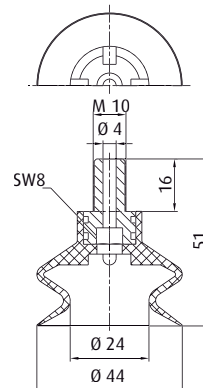


	Connection	see page
270.315	M6-male	414
270.196	G1/8-male	420
270.114	G1/8-female	422
270.190	G1/4-male	428
270.192	G1/4-female	432

UP TO 160 °C & MINIMUM MARKING

Item no. 23.043.242.*	Material Thermalon® (bl)	12.5 mm
---------------------------------	------------------------------------	---------

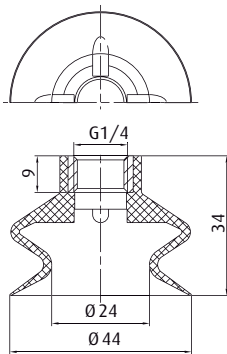
Additional sizes available are found on p. 84.



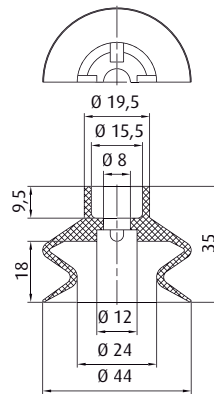
Item no. 22.044.054.*	Material SI (tr), NR (sw)	14 mm
---------------------------------	-------------------------------------	-------

This vacuum cup is also available in the following dimensions: 25 mm, 31 mm

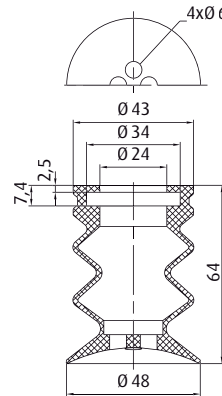
* When ordering please add the appropriate material code to item no. You will find it in the foldout.
Average holding forces for Vacuum cups you will find on page 760



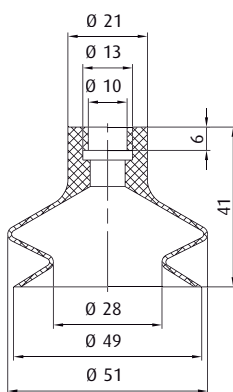
Item no. 22.044.034.* **Material** SI (tr), NR (sw) 15 mm
 This vacuum cup is also available in the following dimensions: 30 mm, 40 mm, 50 mm



Item no. 23.044.091.* **Material** SI (tr) 15 mm

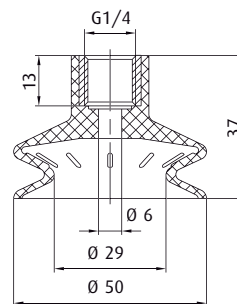


Item no. 25.048.056.* **Material** SI (tr) 25 mm



	Connection	see page
270.213	G1/4-male	428
270.356	G1/4-female	433

Item no. 23.049.199.* **Material** Vulkollan® (br) 20 mm



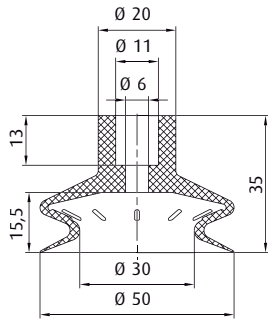
Item no. 22.050.058.* **Material** SI (tr), NR (br), NBR (sw) 12 mm
 This vacuum cup is also available in the following dimensions: 30 mm, 40 mm, 44 mm

* When ordering please add the appropriate material code to item no. You will find it in the foldout.
 Average holding forces for Vacuum cups you will find on page 760



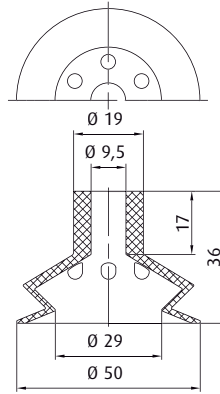
Vacuum cups by size | Bellows vacuum cups by \varnothing

\varnothing 50 mm



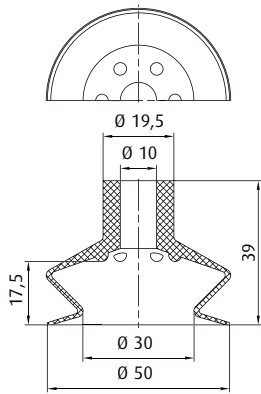
	Connection	see page
270.177	M10-male	416
270.451	G1/4-male	426
270.452	G1/4-female	431

Item no. 23.050.061._* **Material** SI (tr), NR (sw) 10 mm



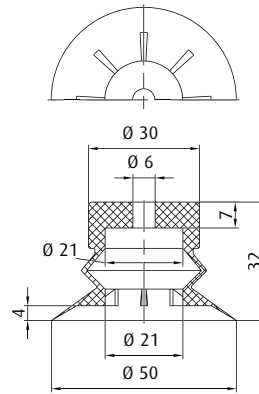
	Connection	see page
270.177	M10-male	416
270.451	G1/4-male	426
270.452	G1/4-female	431

Item no. 23.050.135._* **Material** NBR (sw) 10 mm



	Connection	see page
270.177	M10-male	416
270.044	G1/4-male	426
270.452	G1/4-female	431

Item no. 23.050.188._* **Material** NR (sw) 20 mm

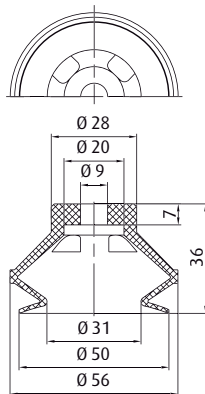


	Connection	see page
270.499	M6-male	414
270.490	G1/8-male	420
270.489	G1/8-female	423
270.491	G1/4-male	429
270.492	G1/4-female	434

		see page
50.174	20 mm	456
50.175	30 mm	456
50.176	40 mm	456
50.177	50 mm	456

Item no. 23.050.143._* **Material** NBR (sw), SI (tr) 11 mm

Additional sizes available are found on p. 119.



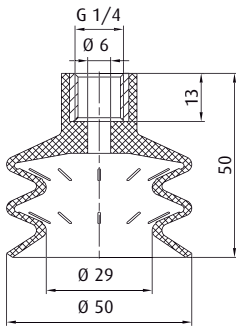
	Connection	see page
270.314	M6-male	415
270.490	G1/8-male	420
270.489	G1/8-female	423
270.491	G1/4-male	429
270.492	G1/4-female	434


		see page
50.174	20 mm	456
50.175	30 mm	456
50.176	40 mm	456
50.177	50 mm	456

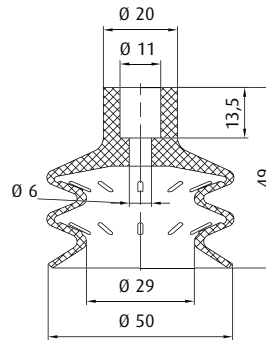
Item no. 23.050.171._* **Material** Vulkollan® (br) 10 mm


Additional sizes available are found on p. 97.


* When ordering please add the appropriate material code to item no. You will find it in the foldout. Average holding forces for Vacuum cups you will find on page 760

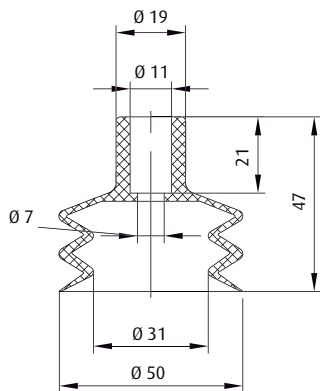



Item no. 20.050.064.* **Material** SI (tr), NR (sw), NR (bg)  18 mm
 This vacuum cup is also available in the following dimensions: 30 mm, 40 mm




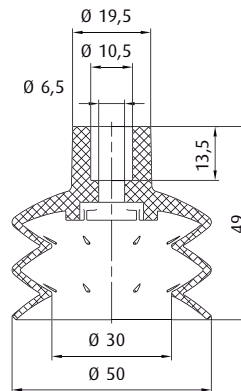
Item no. 21.050.031.* **Material** NBR (sw), SI (tr), NR (sw), NR (br), PU (tr)  18 mm


	Connection	see page
270.177	M10-male	416
270.451	G1/4-male	426
270.452	G1/4-female	431




Item no. 21.050.065.* **Material** Vinyl (bl)  25 mm

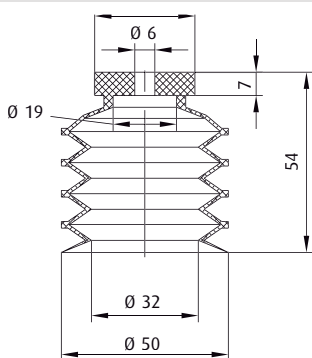
	Connection	see page
270.451	G1/4-male	426
270.452	G1/4-female	431





Item no. 21.050.084.* **Material** Vinyl (bl)  20 mm

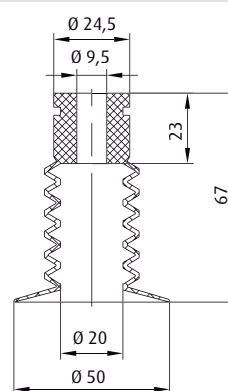
	Connection	see page
270.177	M10-male	416
270.451	G1/4-male	426
270.452	G1/4-female	431


Additional sizes available are found on p. 116.




Item no. 25.050.048.* **Material** NBR (sw), SI (tr)  26 mm
 Additional sizes available are found on p. 124.

	Connection	see page
270.490	G1/8-male	420
270.489	G1/8-female	423
270.491	G1/4-male	429
270.492	G1/4-female	434



Item no. 25.050.054.* **Material** NBR (sw), SI (tr)  29 mm

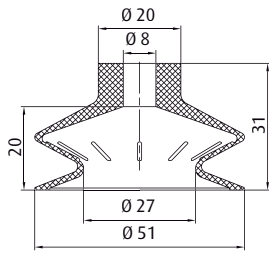
	Connection	see page
270.177	M10-male	416
270.132	G1/8-male	417
270.044	G1/4-male	426
270.452	G1/4-female	431

* When ordering please add the appropriate material code to item no. You will find it in the foldout.
 Average holding forces for Vacuum cups you will find on page 760



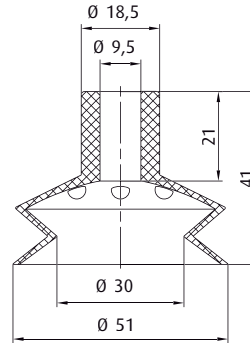
Vacuum cups by size | Bellows vacuum cups by \varnothing

\varnothing 51 mm



Icon	Connection	see page
	M6-male	414
	G1/8-male	421
	G1/8-female	424
	G1/4-male	427
	G1/4-female	433

Item no. 23.050.029.* **Material** SI (tr), NR (sw) 10 mm

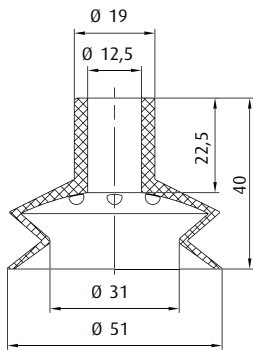


Icon	Connection	see page
	G1/8-male	417
	G1/4-male	425
	G1/4-female	431

BESTSELLER

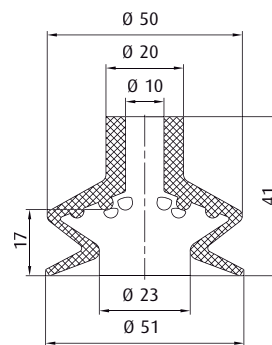
Item no. 23.052.116.* **Material** Vinyl (bl) 6 mm

Additional sizes available are found on p. 113.



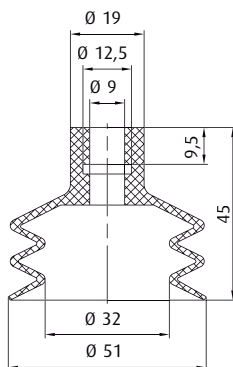
Icon	Connection	see page
	G1/4-male	426

Item no. 23.052.117.* **Material** SI (tr), Vinyl (bl) 6 mm



Icon	Connection	see page
	M10-male	416
	G1/4-male	426
	G1/4-female	431

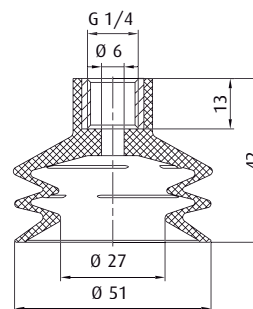
Item no. 23.050.056.* **Material** NBR (sw), SI (tr), NR (sw) 11 mm



Icon	Connection	see page
	G1/8-male	417
	G1/8-female	422
	G1/4-male	427
	G1/4-female	432

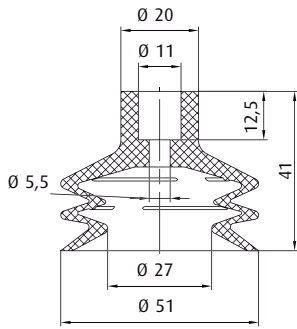
Item no. 21.051.097.* **Material** Vulkollan® (br) 18 mm

Additional sizes available are found on p. 97.



Item no. 20.050.065.* **Material** SI (tr), NR (sw) 8 mm

* When ordering please add the appropriate material code to item no. You will find it in the foldout. Average holding forces for Vacuum cups you will find on page 760

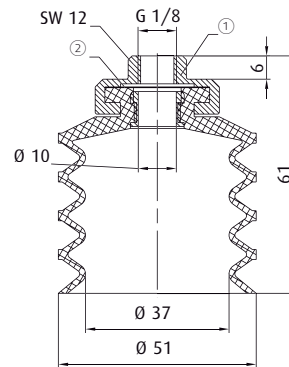


Item no.	Connection	see page
270.177	M10-male	416
270.451	G1/4-male	426
270.452	G1/4-female	431

Item no.
21.050.032._*

Material
NBR (sw), SI (tr), NR (sw),
NR (br)

8 mm



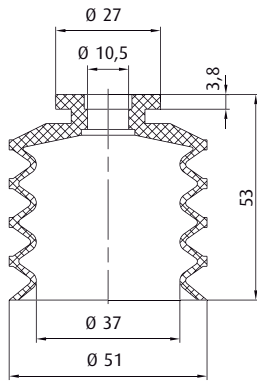
① = Filter screen ② = Aluminium

Item no.
24.050.087._*

Material
SI (tr), CR (sw)

30 mm

Additional sizes available are found on p. 104.



Item no.	Connection	see page
270.252	G1/8-female	424
270.502-S	G1/8-female	424
270.504-S	G1/4-male	429
270.507-S	G3/8-male	435

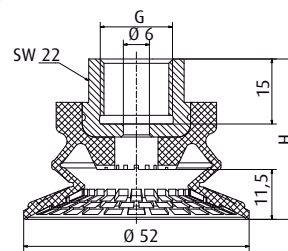
Item no.
25.050.028._*

Material
SI (tr), CR (sw)

25 mm

Additional sizes available are found on p. 100.

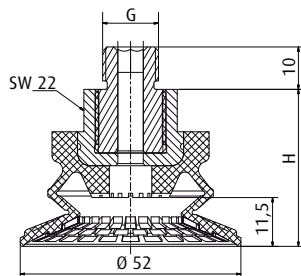
NEW



Item no.	Material	[mm]	Connection thread	H [mm]
22.050.184._*	NBR (bl)	11.5	G1/4-female	42
22.050.185._*	NBR (bl)	11.5	G3/8-female	37

Additional sizes available are found on p. 133.

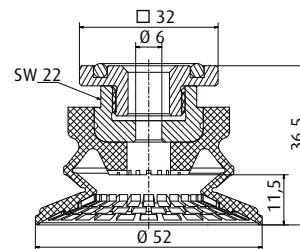
NEW



Item no.	Material	[mm]	Connection thread	H [mm]
22.050.183._*	NBR (bl)	11.5	G1/4-male	37
22.050.186._*	NBR (bl)	11.5	M10-male	37
22.050.187._*	NBR (bl)	11.5	M14x1.5-male	37

Additional sizes available are found on p. 133.

NEW



Item no.
22.050.188._*

Material
NBR (bl)

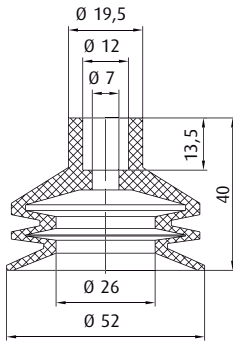
11.5 mm

Additional sizes available are found on p. 133.



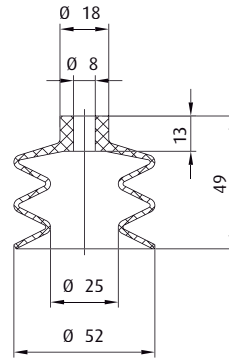
Vacuum cups by size | Bellows vacuum cups by Ø

Ø 52 - 53 mm



Icon	Connection	see page
	G1/4-male	426

Item no. 21.052.033.* **Material** NBR (sw) 12 mm

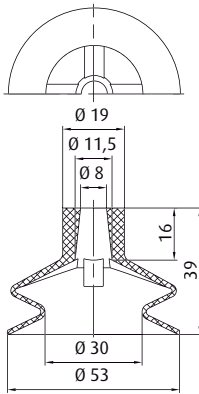


Icon	Connection	see page
	M6-male	414
	G1/8-male	420
	G1/8-female	422
	G1/4-male	428
	G1/4-female	432

UP TO 160 °C & MINIMUM MARKING

Item no. 21.052.156.* **Material** Thermalon® (bl) 27 mm

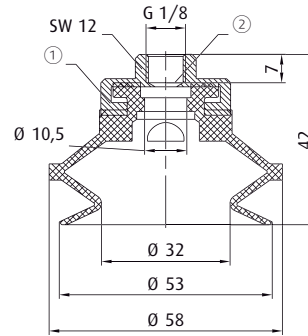
Additional sizes available are found on p. 92.



Icon	Connection	see page
	G1/8-male	417
	G1/8-female	422
	G1/4-male	425
	G1/4-female	432

Item no. 23.055.058.* **Material** NBR (sw), SI (r) 11 mm

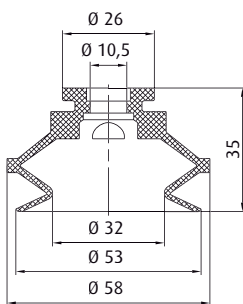
This vacuum cup is also available in the following dimensions: 31 mm, 75 mm



① = Filter screen ② = Aluminium

Item no. 22.050.056.* **Material** Tepuflex® (or), SI (tr), CR (sw) 12 mm

Additional sizes available are found on p. 104.



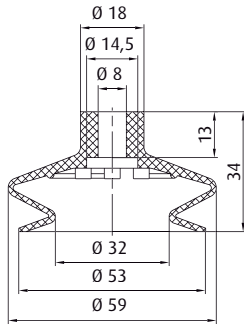
Icon	Connection	see page
	G1/8-female	424
	G1/8-female	424
	G1/4-male	429
	G3/8-male	435

Item no. 23.050.054.* **Material** Tepuflex® (or), SI (tr), CR (sw) 12 mm

Additional sizes available are found on p. 100.

Spare cup

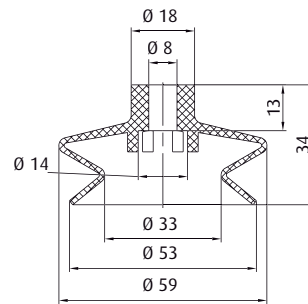
* When ordering please add the appropriate material code to item no. You will find it in the foldout. Average holding forces for Vacuum cups you will find on page 760



Item no.	Connection	see page
270.315	M6-male	414
270.196	G1/8-male	420
270.114	G1/8-female	422
270.190	G1/4-male	428
270.192	G1/4-female	432

Item no. 23.053.033. * **Material** NBR (sw), SI (tr), NR (gr) **Height** 11 mm

Additional sizes available are found on p. 81.



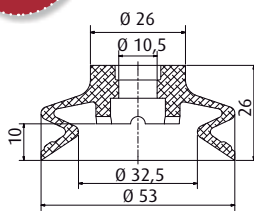
Item no.	Connection	see page
270.315	M6-male	414
270.196	G1/8-male	420
270.114	G1/8-female	422
270.190	G1/4-male	428
270.192	G1/4-female	432

UP TO 160 °C & MINIMUM MARKING

Item no. 23.053.243. * **Material** Thermalon® (bl) **Height** 15 mm

Additional sizes available are found on p. 84.

NEW

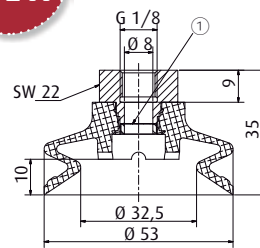


Item no.	Connection	see page
270.502-S	G1/8-female	424
270.504-S	G1/4-male	429
270.507-S	G3/8-male	435

Item no. 23.053.267. * **Material** Varioflex® 60/30° (sw/r) **Height** 10 mm

Additional sizes available are found on p. 107.

NEW



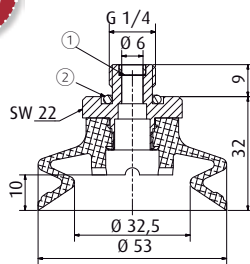
① = Filter screen

Item no. 22.053.259. * **Material** Varioflex® 60/30° (sw/r) **Height** 10 mm

Additional sizes available are found on p. 107.

Spare cup

NEW

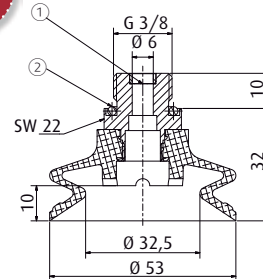


① = Filter screen ② = O-ring

Item no. 22.053.260. * **Material** Varioflex® 60/30° (sw/r) **Height** 10 mm

Additional sizes available are found on p. 107.

NEW



① = Filter screen ② = O-ring

Item no. 22.053.261. * **Material** Varioflex® 60/30° (sw/r) **Height** 10 mm

Additional sizes available are found on p. 107.

Spare cup

Spare cup

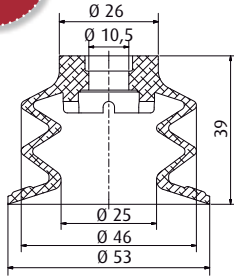
* When ordering please add the appropriate material code to item no. You will find it in the foldout. Average holding forces for Vacuum cups you will find on page 760



Vacuum cups by size | Bellows vacuum cups by Ø

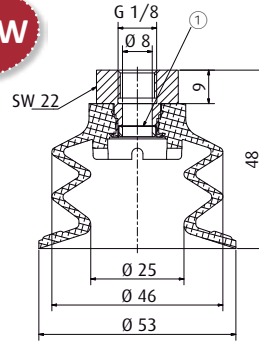
Ø 53 - 56 mm

NEW



Connection	see page
270.502-S G1/8-female	424
270.504-S G1/4-male	429
270.507-S G3/8-male	435

NEW



① = Filter screen

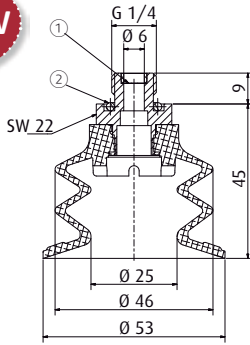
Item no. 21.053.178.* Material Varioflex® 60/30° (sw/r) 19 mm

Additional sizes available are found on p. 110.
Ordering notes: For version with in bellows inserted filter disc please add "-FI" to material code

Item no. 20.053.151.* Material Varioflex® 60/30° (sw/r) 19 mm

Additional sizes available are found on p. 110.
Ordering notes: For version with in bellows inserted filter disc please add "-FI" to material code

NEW

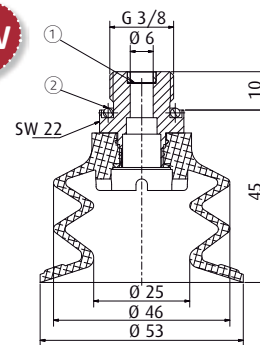


① = Filter screen ② = O-ring

Item no. 20.053.152.* Material Varioflex® 60/30° (sw/r) 19 mm

Additional sizes available are found on p. 110.
Ordering notes: For version with in bellows inserted filter disc please add "-FI" to material code

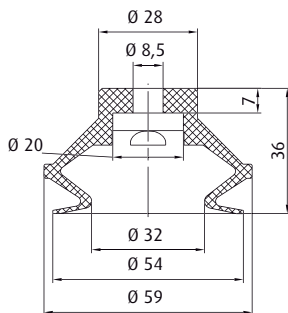
NEW



① = Filter screen ② = O-ring

Item no. 20.053.153.* Material Varioflex® 60/30° (sw/r) 19 mm

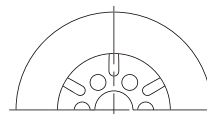
Additional sizes available are found on p. 110.
Ordering notes: For version with in bellows inserted filter disc please add "-FI" to material code



Connection	see page
270.314 M6-male	415
270.499 M6-male	414
270.490 G1/8-male	420
270.489 G1/8-female	423
270.492 G1/4-female	434

Item no. 23.050.127.* Material NBR (sw), SI (tr), PU (bl) 10 mm

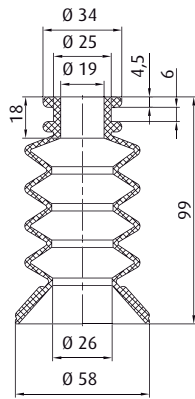
This vacuum cup is also available in the following dimensions: 11 mm, 15 mm, 21 mm, 32 mm, 42 mm



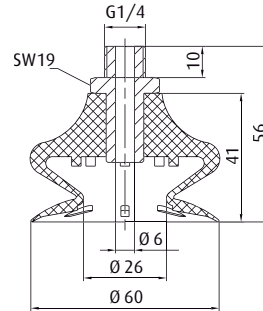
Connection	see page
270.177 M10-male	416
270.451 G1/4-male	426
270.452 G1/4-female	431

Item no. 23.056.150.* Material SI (tr) 16 mm

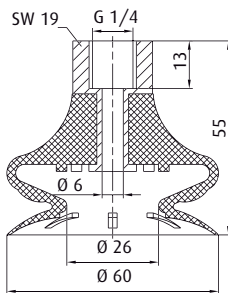
* When ordering please add the appropriate material code to item no. You will find it in the foldout.
 Average holding forces for Vacuum cups you will find on page 760



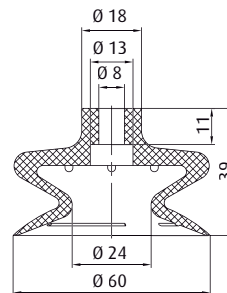
Item no. 25.058.049.* **Material** Vinyl (bl) 55 mm



Item no. 22.060.142.* **Material** Vulkollan® (br) 12 mm



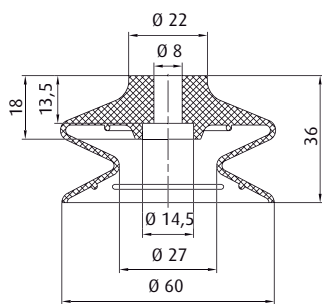
Item no. 22.060.143.* **Material** Vulkollan® (br) 12 mm



Item no. 23.060.059.* **Material** NBR (sw), SI (r) 15 mm

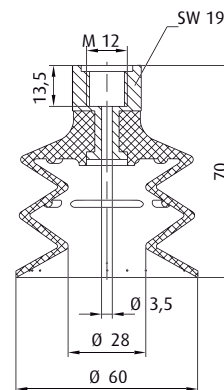
	Connection	see page
270.093	G1/8-male	421
270.092	G1/8-female	424
270.249	G1/4-male	427
270.248	G1/4-female	433

This vacuum cup is also available in the following dimensions: 14 mm, 24 mm, 40 mm



	Connection	see page
270.281	G1/4-male	428
270.282	G1/4-female	433

Item no. 23.060.172.* **Material** SI (tr), NR (sw) 12 mm



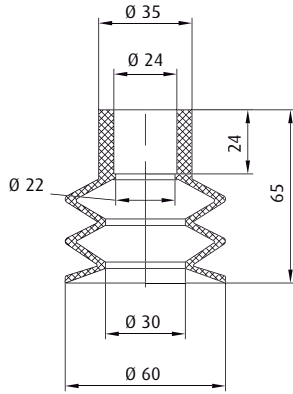
Item no. 20.060.101.* **Material** NR (sw) 25 mm

* When ordering please add the appropriate material code to item no. You will find it in the foldout. Average holding forces for Vacuum cups you will find on page 760



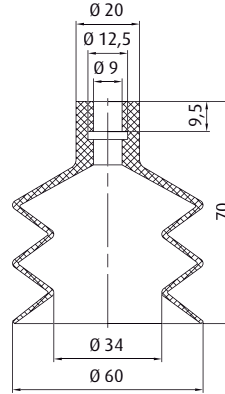
Vacuum cups by size | Bellows vacuum cups by Ø

Ø 60 - 61 mm



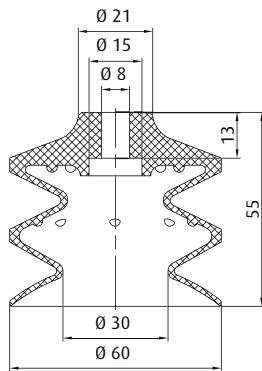
Item no. 21.060.035.* **Material** EPDM (sw), SI (r) 27 mm

This vacuum cup is also available in the following dimensions: 40 mm



Item no. 21.060.099.* **Material** Vulkollan® (br) 16 mm

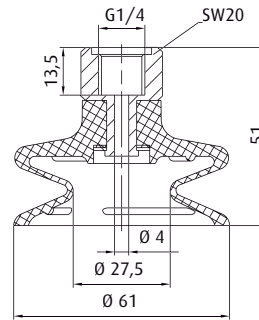
	Connection	see page
270.352	G1/8-male	420
270.204	G1/4-male	427
270.324	G1/4-female	432



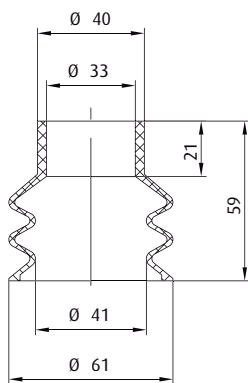
	Connection	see page
270.315	M6-male	414
270.540	G1/4-male	429
270.539	G1/4-female	434

Item no. 21.062.092.* **Material** Vulkollan® (br) 25 mm

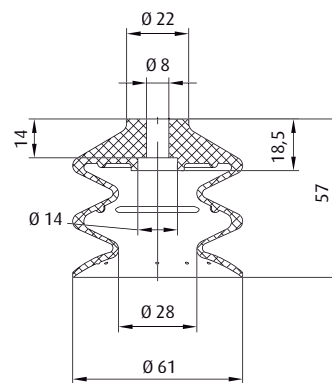
Additional sizes available are found on p. 97.



Item no. 22.060.107.* **Material** SI (tr), NR (sw) 11 mm



Item no. 21.060.038.* **Material** NBR (sw), SI (tr) 25 mm



Item no. 21.060.051.* **Material** HNBR (ge), SI (tr), NR (sw) 25 mm

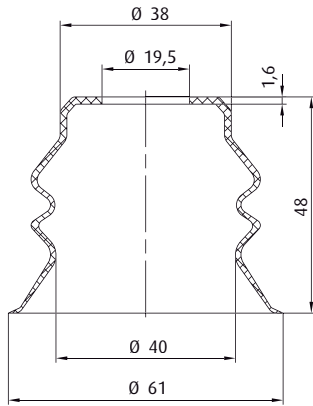
	Connection	see page
270.315	M6-male	414
270.540	G1/4-male	429
270.539	G1/4-female	434

Additional sizes available are found on p. 94.

* When ordering please add the appropriate material code to item no. You will find it in the foldout.
Average holding forces for Vacuum cups you will find on page 760



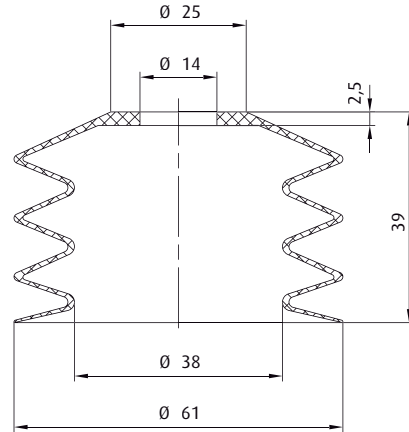
Connection	see page
270.372 G1/2-male	437



Item no. 21.060.074.*	Material SI (tr)	12 mm
---------------------------------	----------------------------	-------

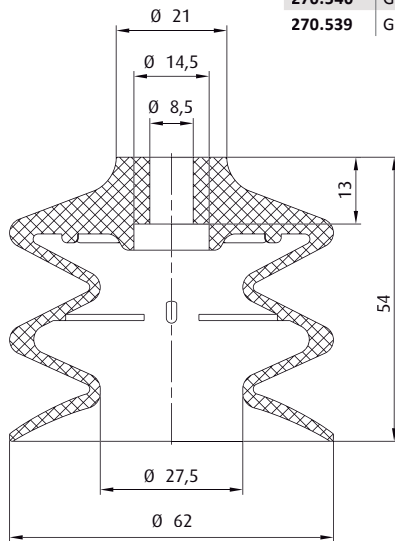
Additional sizes available are found on p. 126.

Connection	see page
270.183 G1/4-male	431
270.182 G1/4-female	434



Item no. 25.060.033.*	Material NBR (sw), SI (br)	16 mm
---------------------------------	--------------------------------------	-------

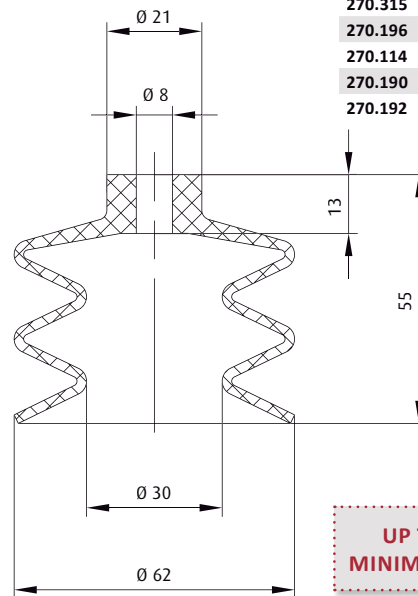
Connection	see page
270.315 M6-male	414
270.540 G1/4-male	429
270.539 G1/4-female	434



Item no. 21.062.055.*	Material NBR (sw), SI (tr)	25 mm
---------------------------------	--------------------------------------	-------

Additional sizes available are found on p. 89.

Connection	see page
270.315 M6-male	414
270.196 G1/8-male	420
270.114 G1/8-female	422
270.190 G1/4-male	428
270.192 G1/4-female	432



UP TO 160 °C & MINIMUM MARKING

Item no. 21.062.157.*	Material Thermalon® (bl)	31 mm
---------------------------------	------------------------------------	-------

Additional sizes available are found on p. 92.

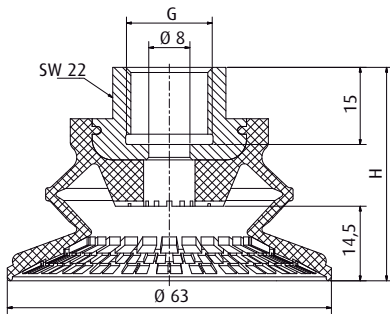
* When ordering please add the appropriate material code to item no. You will find it in the foldout.
Average holding forces for Vacuum cups you will find on page 760



Vacuum cups by size | Bellows vacuum cups by \varnothing

\varnothing 62 - 63 mm

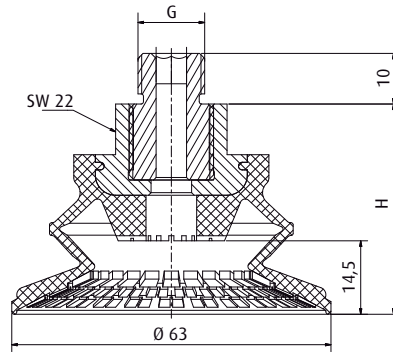
NEW



Item no.	Material	[mm]	Connection thread	H [mm]
22.060.190.*	NBR (bl)	14.5	G1/4-female	46.5
22.060.191.*	NBR (bl)	14.5	G3/8-female	41.5

Additional sizes available are found on p. 133.

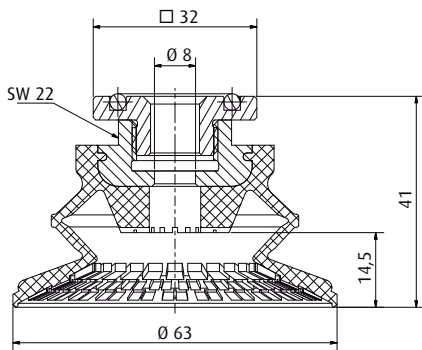
NEW



Item no.	Material	[mm]	Connection thread	H [mm]
22.060.189.*	NBR (bl)	14.5	G1/4-male	41.5
22.060.192.*	NBR (bl)	14.5	M10-male	41.5
22.060.193.*	NBR (bl)	14.5	M14x1.5-male	41.5

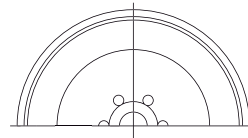
Additional sizes available are found on p. 133.

NEW

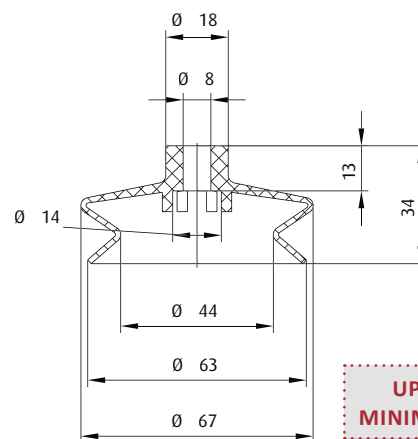


Item no.	Material	14.5 mm
22.060.194.*	NBR (bl)	

Additional sizes available are found on p. 133.



	Connection	see page
270.315	M6-male	414
270.196	G1/8-male	420
270.114	G1/8-female	422
270.190	G1/4-male	428
270.192	G1/4-female	432

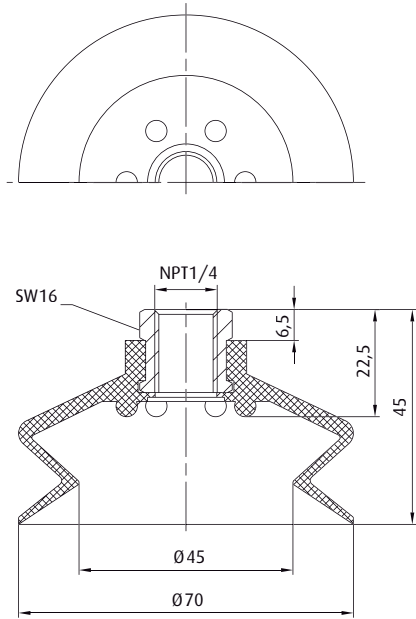


UP TO 160 °C & MINIMUM MARKING

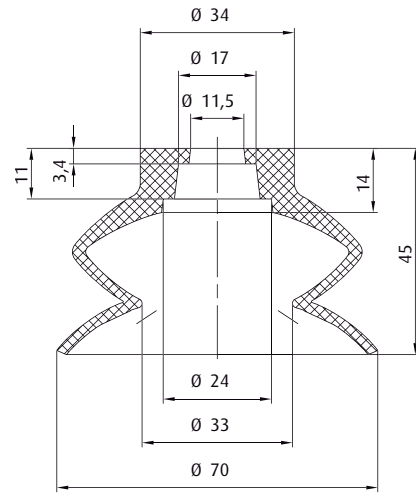
Item no.	Material	15 mm
23.063.244.*	Thermalon® (bl)	

Additional sizes available are found on p. 84.

* When ordering please add the appropriate material code to item no. You will find it in the foldout.
Average holding forces for Vacuum cups you will find on page 760

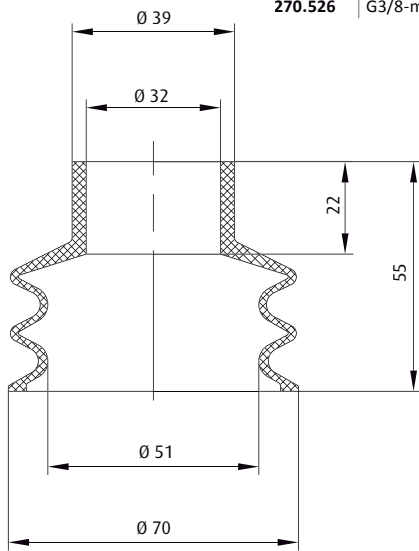


Item no. 22.070.127.* **Material** Vinyl (bl) 13 mm

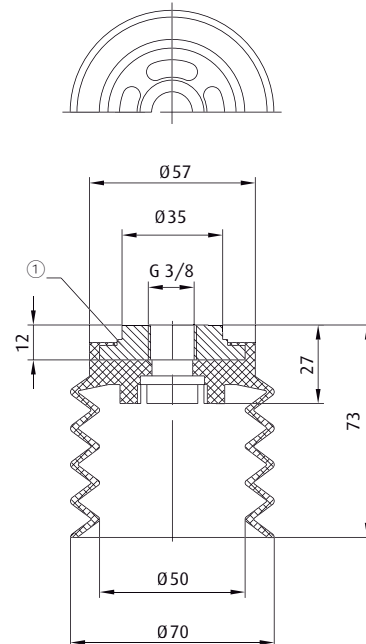


Item no. 23.070.060.* **Material** NBR (sw), SI (tr), NR (sw), Vinyl (bl) 20 mm

Additional sizes available are found on p. 113.



Item no. 21.070.041.* **Material** NR (sw), SI (tr) 17 mm



Item no. 25.069.050.* **Material** Vinyl (bl) 32 mm

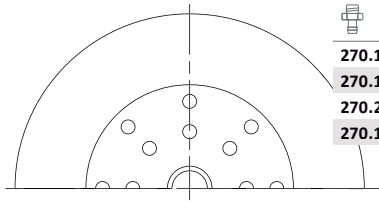
① = Aluminium

* When ordering please add the appropriate material code to item no. You will find it in the foldout. Average holding forces for Vacuum cups you will find on page 760

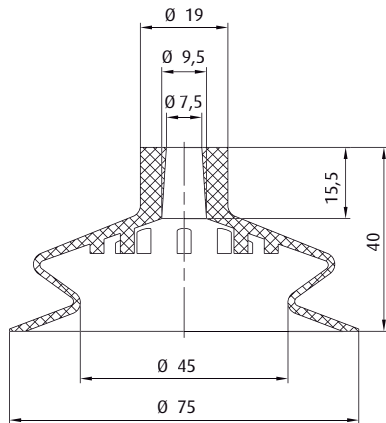


Vacuum cups by size | Bellows vacuum cups by \varnothing

\varnothing 75 mm

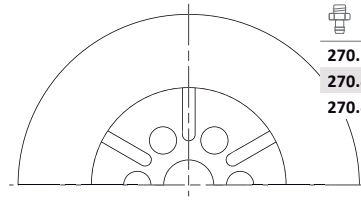


Icon	Connection	see page
	270.132 G1/8-male	417
	270.114 G1/8-female	422
	270.208 G1/4-male	425
	270.178 G1/4-female	431

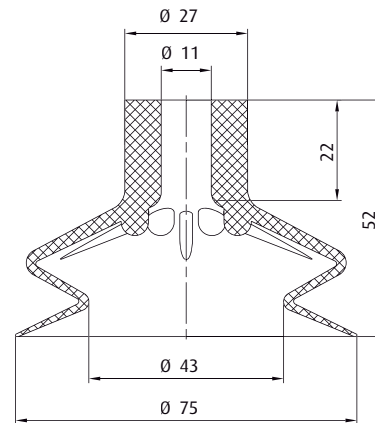


Item no. 23.075.063.* **Material** NBR (sw), SI (r) 17 mm

This vacuum cup is also available in the following dimensions: 31 mm, 53 mm



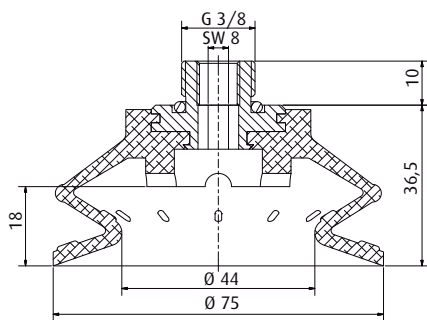
Icon	Connection	see page
	270.177 M10-male	416
	270.451 G1/4-male	426
	270.452 G1/4-female	431



Item no. 23.075.151.* **Material** NBR (sw), SI (tr) 20 mm

Additional sizes available are found on p. 81.

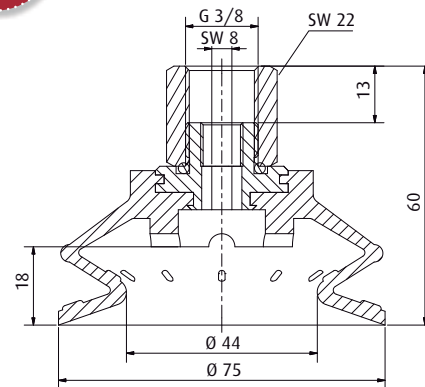
NEW



Item no. 22.075.262.* **Material** Varioflex® 60/30° (sw/r) 18 mm

Additional sizes available are found on p. 107.

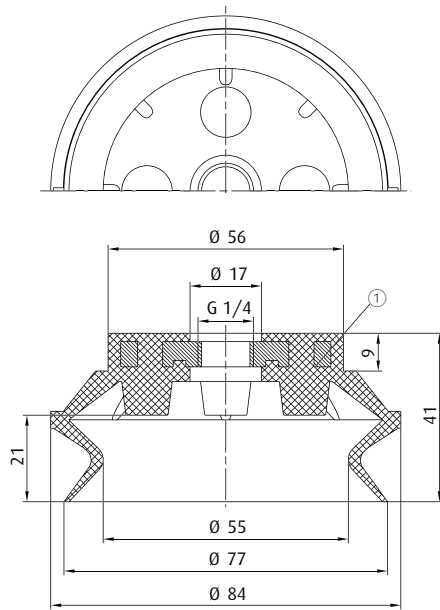
NEW



Item no. 22.075.263.* **Material** Varioflex® 60/30° (sw/r) 18 mm

Additional sizes available are found on p. 107.

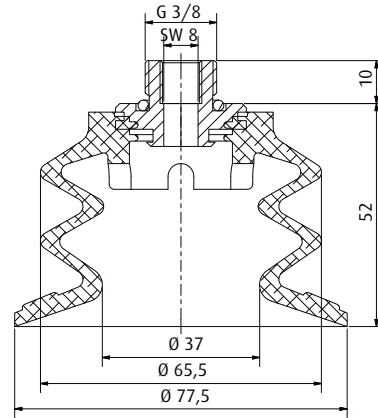
* When ordering please add the appropriate material code to item no. You will find it in the foldout.
Average holding forces for Vacuum cups you will find on page 760



① = Aluminium

Item no. 23.075.130.* **Material** NBR (sw), SI (tr), PU (bl) 21 mm

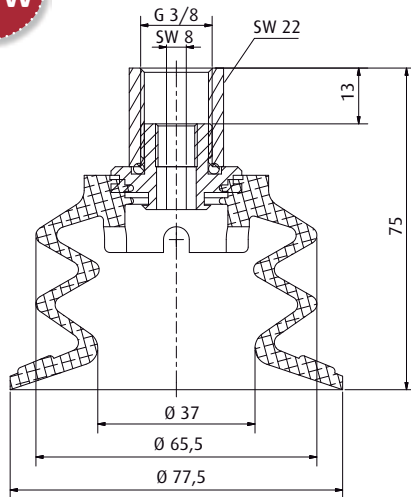
NEW



Item no. 20.077.154.* **Material** Varioflex® 60/30° (sw/r) 25 mm

Additional sizes available are found on p. 110.
Ordering notes: For version with in bellows inserted filter disc please add "-FI" to material code

NEW



Item no. 20.077.155.* **Material** Varioflex® 60/30° (sw/r) 25 mm

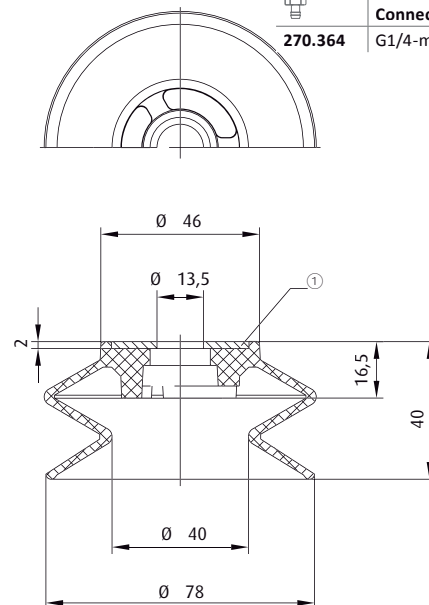
Additional sizes available are found on p. 110.
Ordering notes: For version with in bellows inserted filter disc please add "-FI" to material code



270.364

Connection G1/4-male

see page 430



① = Aluminium

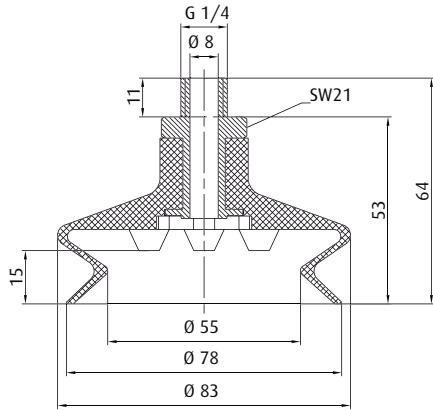
Item no. 22.080.144.* **Material** SBR (br) 23 mm

* When ordering please add the appropriate material code to item no. You will find it in the foldout.
Average holding forces for Vacuum cups you will find on page 760



Vacuum cups by size | Bellows vacuum cups by \varnothing

\varnothing 78 - 80 mm

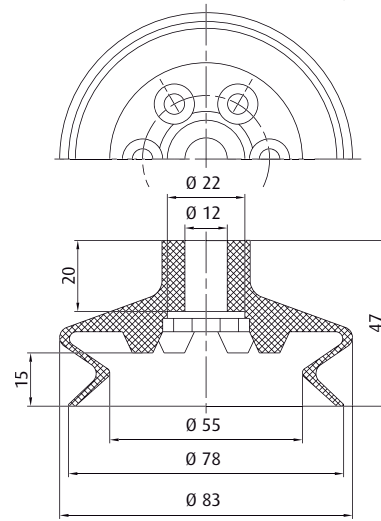


Item no.
22.078.071.*

Material
NBR (sw), SI (tr), NR (gr)

15 mm

	Connection	see page
270.184	G1/4-male	431

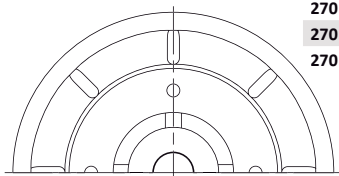


Spare cup

Item no.
23.078.067.*

Material
NBR (sw), SI (tr), NR (gr)

15 mm



	Connection	see page
270.462	M10-male	416
270.514	G1/4-male	429
270.513	G1/4-female	434

① = Aluminium

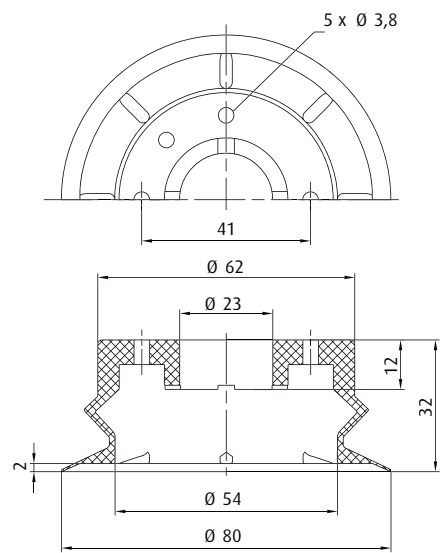
FLEXIBLE & STABLE

Item no.
22.080.161.*

Material
NBR (sw), SI (tr)

10 mm

Additional sizes available are found on p. 119.



Spare cup

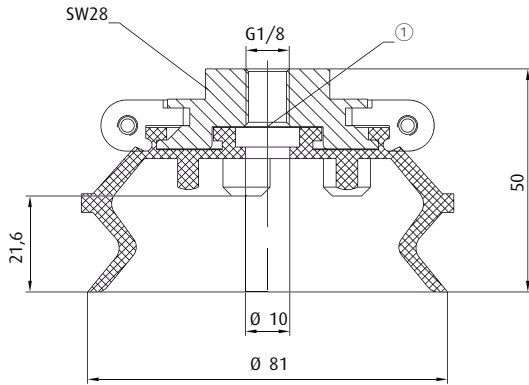
Item no.
23.080.144.*

Material
NBR (sw), SI (tr)

10 mm

Additional sizes available are found on p. 119.

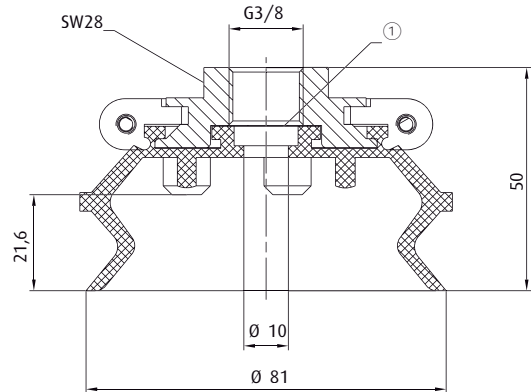
* When ordering please add the appropriate material code to item no. You will find it in the foldout.
Average holding forces for Vacuum cups you will find on page 760



① = Filter screen

Item no. 22.078.163. * **Material** Tepuflex® (or), SI (tr), CR (sw) 22 mm

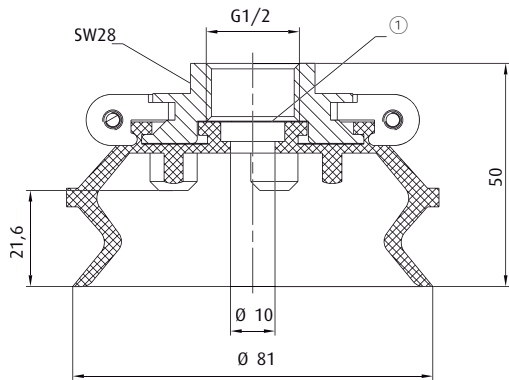
Additional sizes available are found on p. 104.



① = Filter screen

Item no. 22.078.166. * **Material** Tepuflex® (or), SI (tr), CR (sw) 22 mm

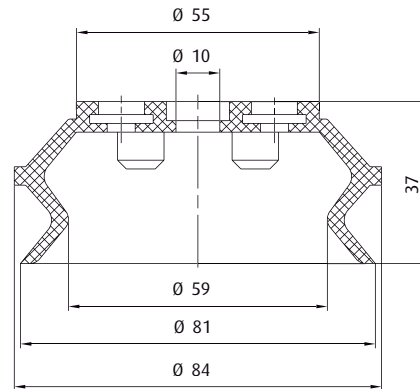
Additional sizes available are found on p. 104.



① = Filter screen

Item no. 22.078.169. * **Material** Tepuflex® (or), SI (tr), CR (sw) 22 mm

Additional sizes available are found on p. 104.



Item no. 23.078.065. * **Material** Tepuflex® (or), SI (tr), CR (sw) 22 mm

Additional sizes available are found on p. 100.

	Connection	see page
	G1/8-female	424
	G3/8-female	436
	G1/2-female	436

Spare cup

Spare cup

Spare cup

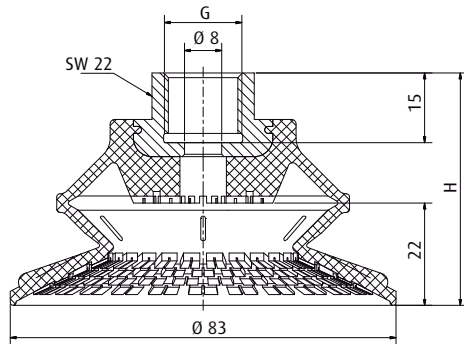
* When ordering please add the appropriate material code to item no. You will find it in the foldout. Average holding forces for Vacuum cups you will find on page 760



Vacuum cups by size | Bellows vacuum cups by Ø

Ø 82 - 84 mm

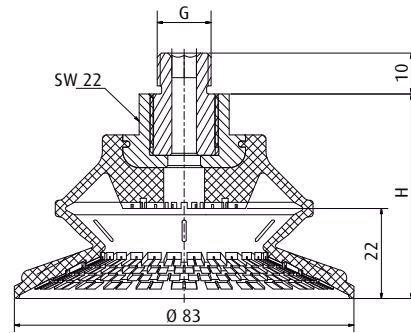
NEW



Item no.	Material	SW [mm]	Connection thread	H [mm]
22.080.196.*	NBR (bl)	22	G1/4-female	55
22.080.197.*	NBR (bl)	22	G3/8-female	50

Additional sizes available are found on p. 133.

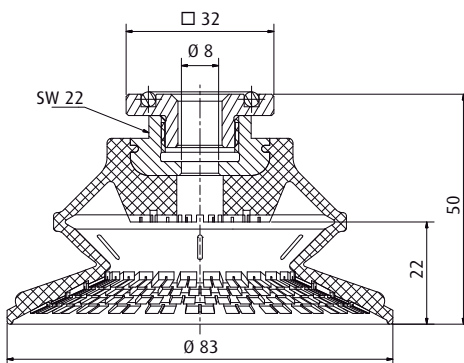
NEW



Item no.	Material	SW [mm]	Connection thread	H [mm]
22.080.195.*	NBR (bl)	22	G1/4-male	50
22.080.198.*	NBR (bl)	22	M10-male	50
22.080.199.*	NBR (bl)	22	M14x1.5-male	50

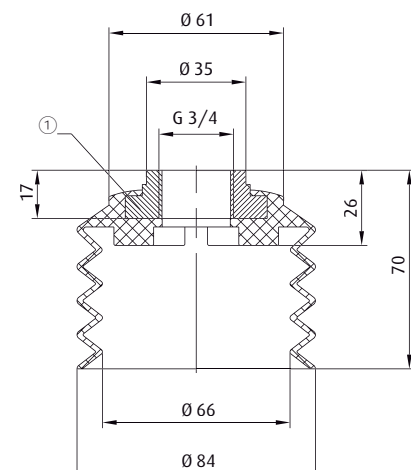
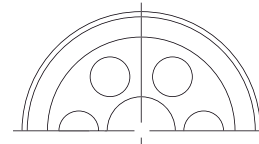
Additional sizes available are found on p. 133.

NEW



Item no.	Material	SW [mm]
22.080.200.*	NBR (bl)	22 mm

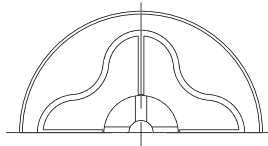
Additional sizes available are found on p. 133.



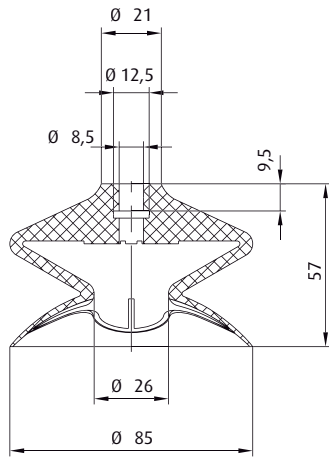
① = Aluminium

Item no.	Material	SW [mm]
25.084.051.*	Vinyl (bl)	31 mm

* When ordering please add the appropriate material code to item no. You will find it in the foldout.
Average holding forces for Vacuum cups you will find on page 760



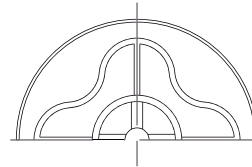
	Connection	see page
270.359	G1/4-male	427
270.361	G1/4-female	433



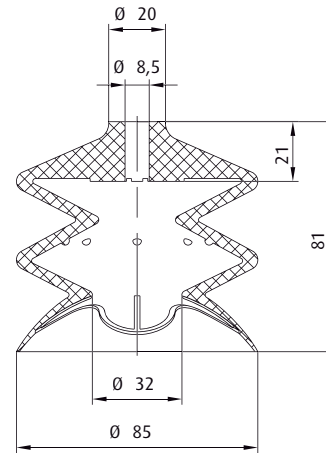
Item no.
23.085.201._ *

Material
Vulkollan® (br)

25 mm



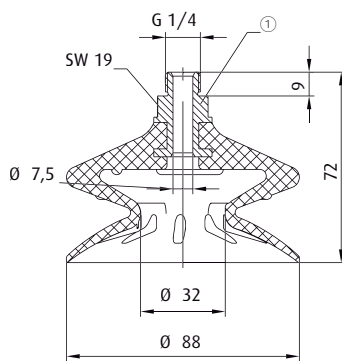
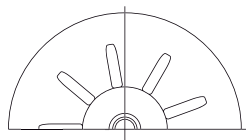
	Connection	see page
270.359	G1/4-male	427



Item no.
21.085.107._ *

Material
Vulkollan® (br)

38 mm



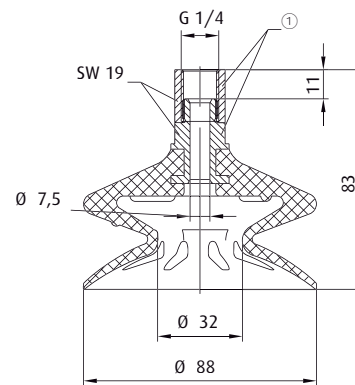
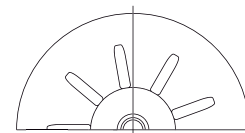
① = Aluminium fitting, vulcanised

Item no.
22.088.158._ *

Material
NBR (sw), SI (tr)

23 mm

Additional sizes available are found on p. 81.



① = Aluminium fitting, vulcanised

Item no.
22.088.159._ *

Material
NBR (sw), SI (tr)

23 mm

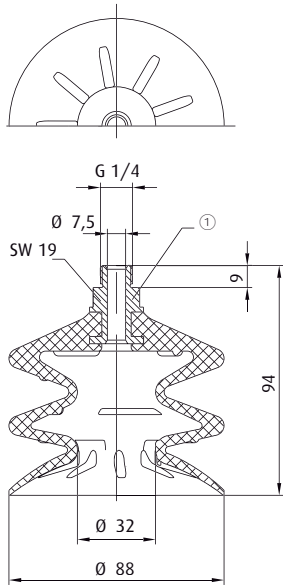
Additional sizes available are found on p. 81.

* When ordering please add the appropriate material code to item no. You will find it in the foldout.
Average holding forces for Vacuum cups you will find on page 760



Vacuum cups by size | Bellows vacuum cups by \varnothing

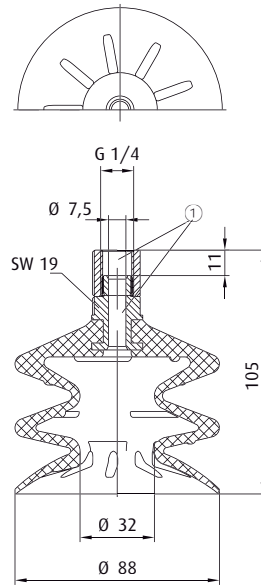
\varnothing 88 - 92 mm



① = Aluminium fitting, vulcanised

Item no. 20.088.123._*	Material NBR (sw), SI (tr)	36 mm
----------------------------------	--------------------------------------	-------

Additional sizes available are found on p. 89.

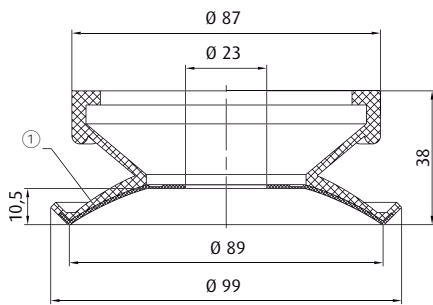


① = Aluminium fitting, vulcanised

Item no. 20.088.124._*	Material NBR (sw), SI (tr)	36 mm
----------------------------------	--------------------------------------	-------

Additional sizes available are found on p. 89.

	Connection	see page
270.400	G3/8-female	436

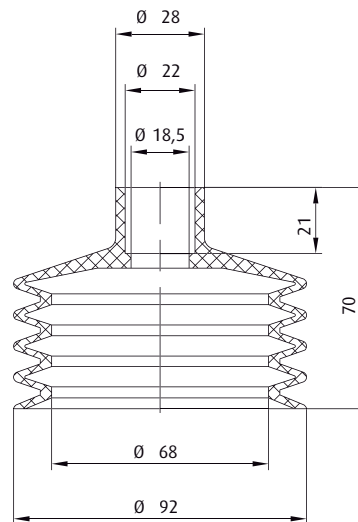


HEAT RESISTANT & LOW MARKING

① = Felt pads

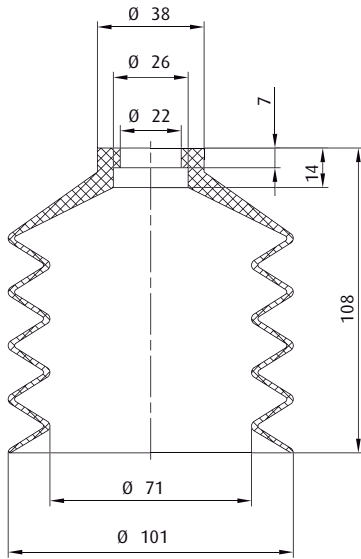
Item no. 26.090.001._*	Material SI (tr/ge), FKM (sw/ge)	17 mm
----------------------------------	--	-------

Additional sizes available are found on p. 164.



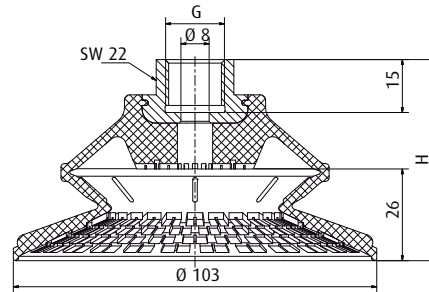
Item no. 25.091.052._*	Material Vinyl (bl)	32 mm
----------------------------------	-------------------------------	-------

* When ordering please add the appropriate material code to item no. You will find it in the foldout.
Average holding forces for Vacuum cups you will find on page 760



Item no. 25.102.053._* **Material** Vinyl (bl) 55 mm

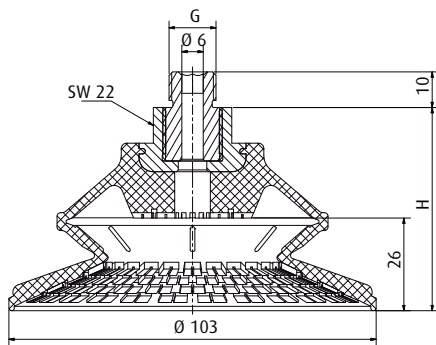
NEW



Item no.	Material	[mm]	Connection thread	H [mm]
22.100.202._*	NBR (bl)	26	G1/4-female	62
22.100.203._*	NBR (bl)	26	G3/8-female	57

Additional sizes available are found on p. 133.

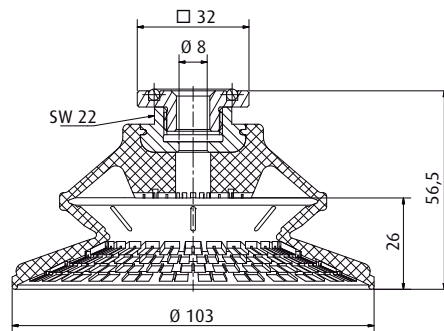
NEW



Item no.	Material	[mm]	Connection thread	H [mm]
22.100.201._*	NBR (bl)	26	G1/4-male	57
22.100.204._*	NBR (bl)	26	M10-male	57
22.100.205._*	NBR (bl)	26	M14x1.5-male	57

Additional sizes available are found on p. 133.

NEW



Item no. 22.100.206._* **Material** NBR (bl) 26 mm

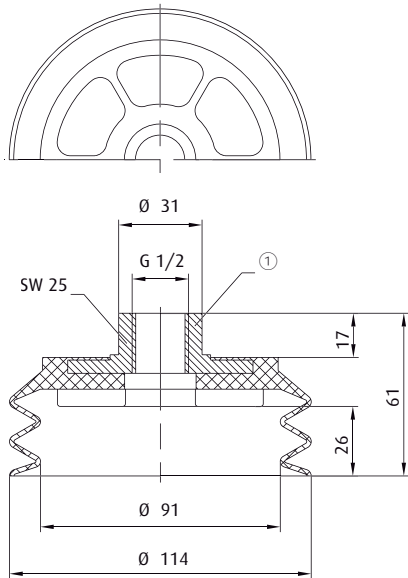
Additional sizes available are found on p. 133.

* When ordering please add the appropriate material code to item no. You will find it in the foldout. Average holding forces for Vacuum cups you will find on page 760



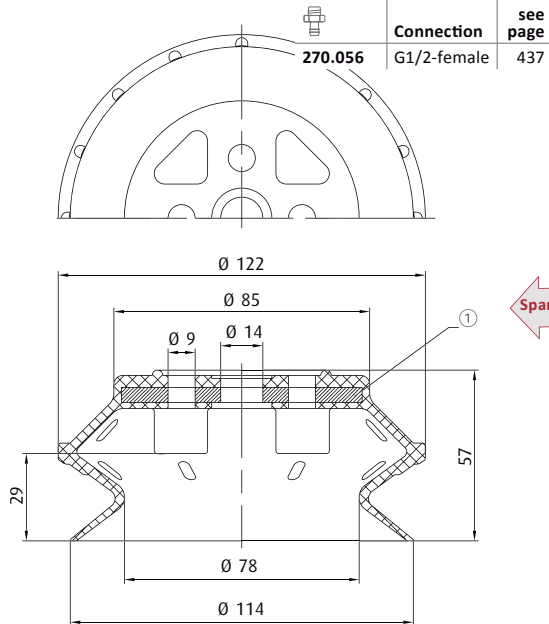
Vacuum cups by size | Bellows vacuum cups by Ø

Ø 114 mm



① = Aluminium

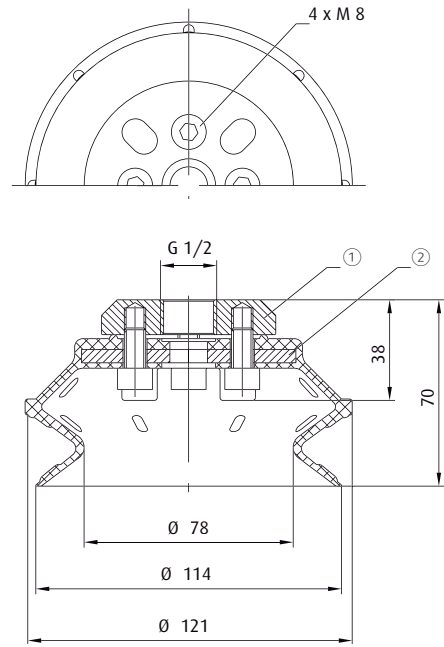
Item no. 20.115.114._*	Material Vinyl (bl)	27 mm
----------------------------------	-------------------------------	-------



① = Steel

Item no. 23.110.070._*	Material NBR (sw)	29 mm
----------------------------------	-----------------------------	-------

Notes: Hardness 70° Shore A



① = Aluminium ② = Steel


Item no. 22.110.080._*	Material NBR (sw)	29 mm
----------------------------------	-----------------------------	-------

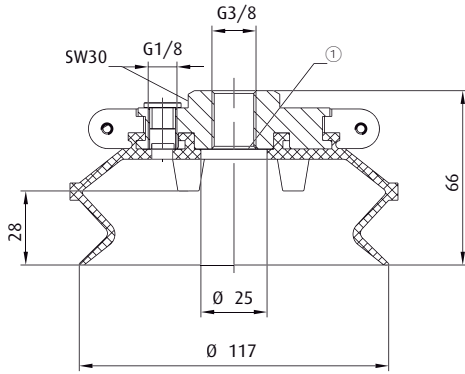
Notes: Hardness 70° Shore A

Spare cup

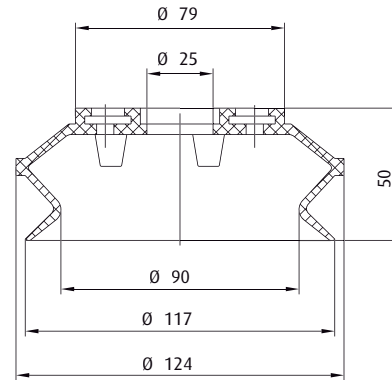
* When ordering please add the appropriate material code to item no. You will find it in the foldout.
Average holding forces for Vacuum cups you will find on page 760




	Connection	see page
270.530-S	G3/8-female	437
270.531-S	G1/2-female	437



Spare cup



① = Filter screen

Item no. 22.117.164.* **Material** Tepuflex® (or), SI (tr), CR (sw)  29 mm

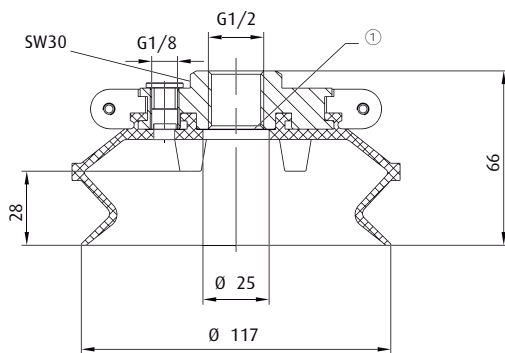
Additional sizes available are found on p. 104.

Item no. 23.117.069.* **Material** Tepuflex® (or), SI (tr), CR (sw)  29 mm

Additional sizes available are found on p. 100.

Spare cup

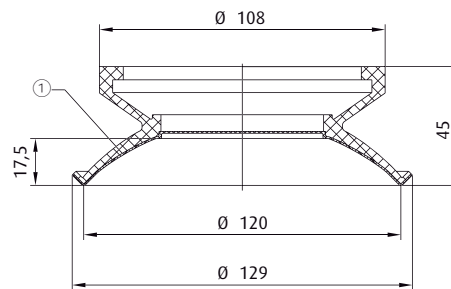
	Connection	see page
270.402	G3/8-female	436



① = Filter screen

Item no. 22.117.167.* **Material** Tepuflex® (or), SI (tr), CR (sw)  29 mm

Additional sizes available are found on p. 104.



HEAT RESISTANT & LOW MARKING

① = Felt pads

Item no. 26.120.002.* **Material** FKM (sw/ge)  18 mm

Additional sizes available are found on p. 164.

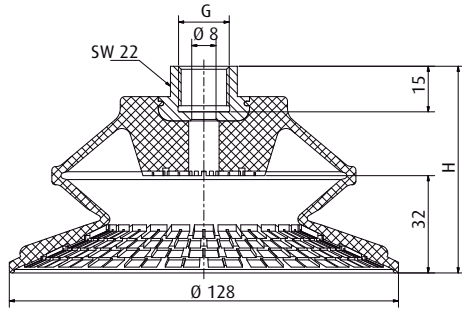
* When ordering please add the appropriate material code to item no. You will find it in the foldout. Average holding forces for Vacuum cups you will find on page 760



Vacuum cups by size | Bellows vacuum cups by \varnothing

\varnothing 128 mm

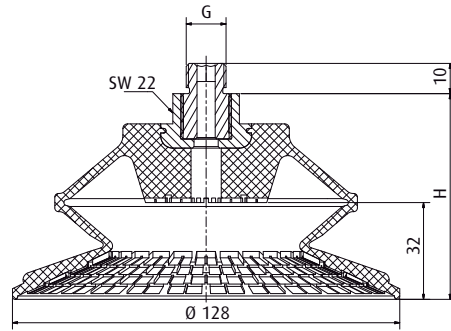
NEW



Item no.	Material	[mm]	Connection thread	H [mm]
22.125.208.*	NBR (bl)	32	G1/4-female	73
22.125.209.*	NBR (bl)	32	G3/8-female	68

Additional sizes available are found on p. 133.

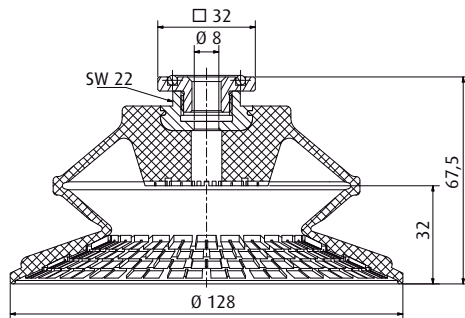
NEW



Item no.	Material	[mm]	Connection thread	H [mm]
22.125.207.*	NBR (bl)	32	G1/4-male	68
22.125.210.*	NBR (bl)	32	M10-male	68
22.125.211.*	NBR (bl)	32	M14x1.5-male	68

Additional sizes available are found on p. 133.

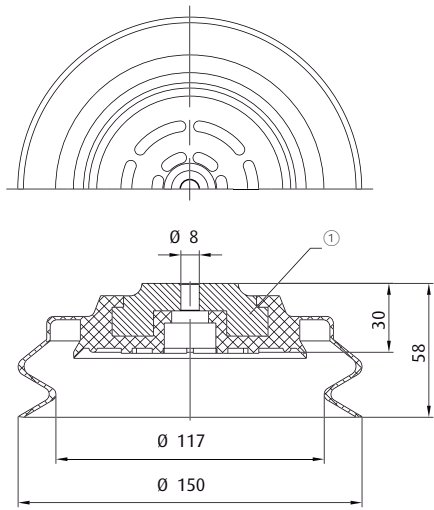
NEW



Item no.	Material	[mm]
22.125.212.*	NBR (bl)	32 mm

Additional sizes available are found on p. 133.

* When ordering please add the appropriate material code to item no. You will find it in the foldout.
Average holding forces for Vacuum cups you will find on page 760

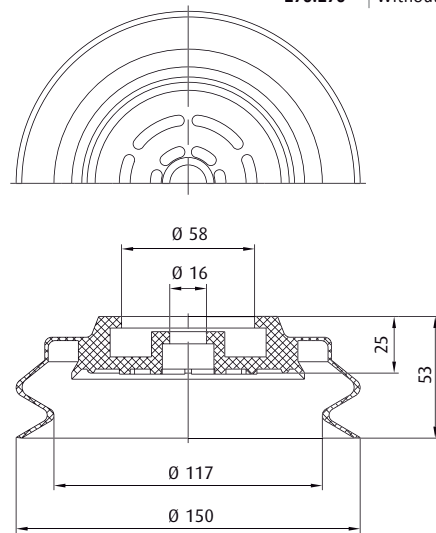


① = Aluminium

Item no. 22.150.109.* **Material** NBR (sw) 28 mm

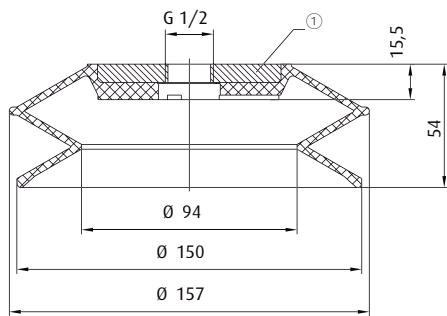
Additional sizes available are found on p. 136.

Spare cup



Item no. 23.150.090.* **Material** NBR (sw) 28 mm

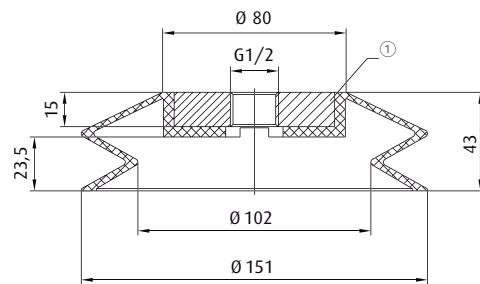
	Connection	see page
270.270	Without	440



① = Steel

Item no. 22.150.084.* **Material** NBR (gr), NR (br) 32 mm

Additional sizes available are found on p. 137.



① = Aluminium

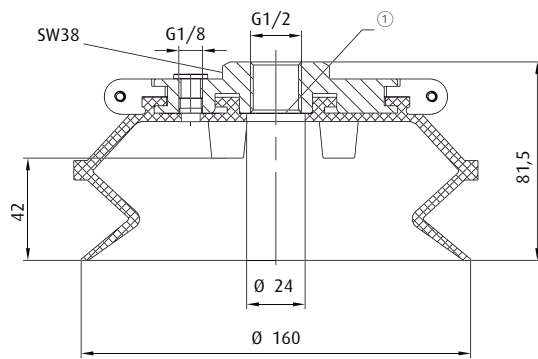
Item no. 22.150.020.* **Material** NBR (sw), SI (tr) 20 mm

* When ordering please add the appropriate material code to item no. You will find it in the foldout.
Average holding forces for Vacuum cups you will find on page 760



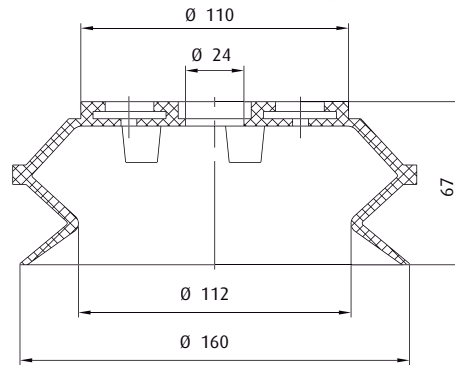
Vacuum cups by size | Bellows vacuum cups by \varnothing

\varnothing 160 mm



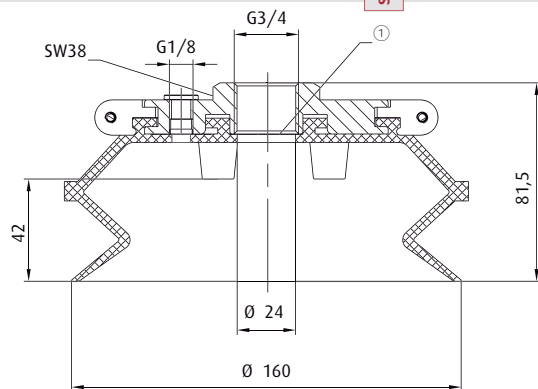
① = Filter screen

Item no. 22.160.165.*	Material Tepuflex® (or), SI (tr), CR (sw)	41 mm	Additional sizes available are found on p. 104. This vacuum cup is also available in the following dimensions: 160 mm
---------------------------------	---	-------	--



	Connection	see page
270.532-S	G1/2-female	437
270.533-S	G3/4-female	437

Item no. 23.160.072.*	Material Tepuflex® (or), SI (tr), CR (sw)	41 mm	Additional sizes available are found on p. 100.
---------------------------------	---	-------	---



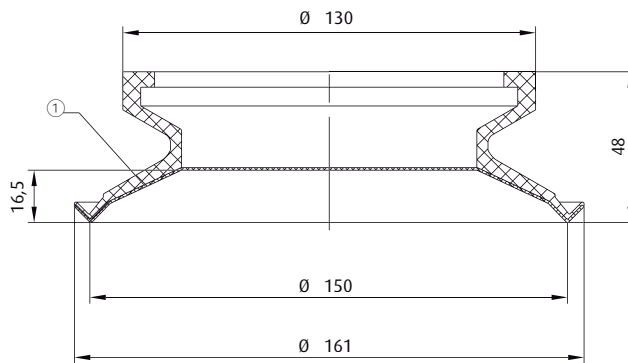
① = Filter screen

Item no. 22.160.168.*	Material Tepuflex® (or), SI (tr), CR (sw)	41 mm	Additional sizes available are found on p. 104.
---------------------------------	---	-------	---

* When ordering please add the appropriate material code to item no. You will find it in the foldout.
Average holding forces for Vacuum cups you will find on page 760



	Connection	see page
270.404	G3/8-female	436




HEAT RESISTANT & LOW MARKING

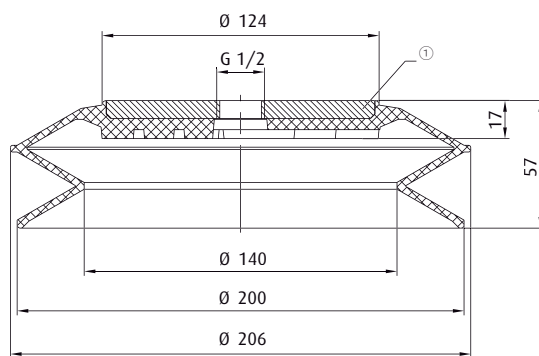
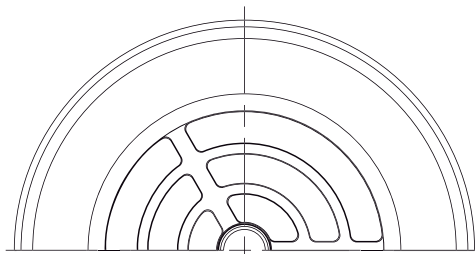
① = Felt pads

Item no.
26.160.003.*

Material
FKM (sw/ge)

 18 mm


Additional sizes available are found on p. 164.



① = Steel

Item no.
22.200.087.*

Material
NBR (gr), NR (br)

 30 mm

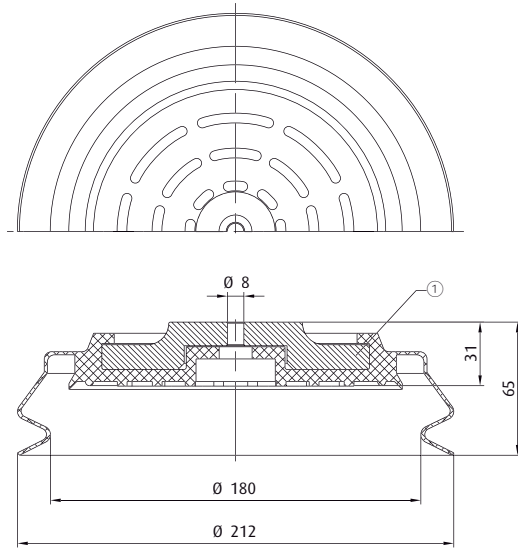
Additional sizes available are found on p. 137.

* When ordering please add the appropriate material code to item no. You will find it in the foldout.
Average holding forces for Vacuum cups you will find on page 760



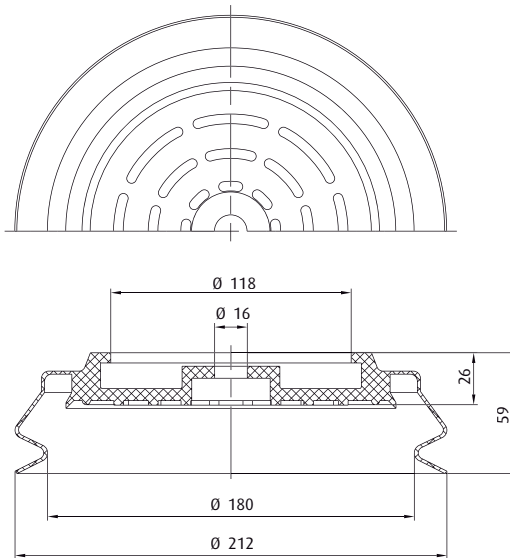
Vacuum cups by size | Bellows vacuum cups by \varnothing

\varnothing 212 mm



① = Aluminium

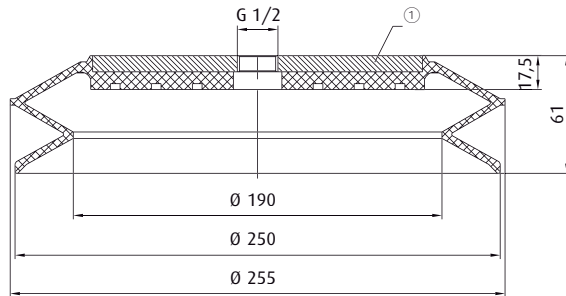
Item no. 22.210.115._*	Material NBR (sw)	32 mm	Additional sizes available are found on p. 136.
----------------------------------	-----------------------------	-------	---



	Connection	see page
270.269	Without	440

Item no. 23.210.009._*	Material NBR (sw)	32 mm	
----------------------------------	-----------------------------	-------	--

* When ordering please add the appropriate material code to item no. You will find it in the foldout.
Average holding forces for Vacuum cups you will find on page 760



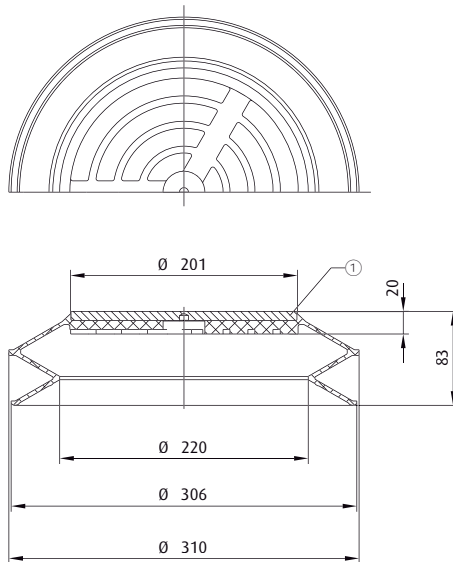
① = Steel

Item no.
22.250.088._*

Material
NBR (gr), SI (tr)

38 mm

Additional sizes available are found on p. 137.



① = Steel

Item no.
22.300.091._*

Material
NBR (gr)

60 mm

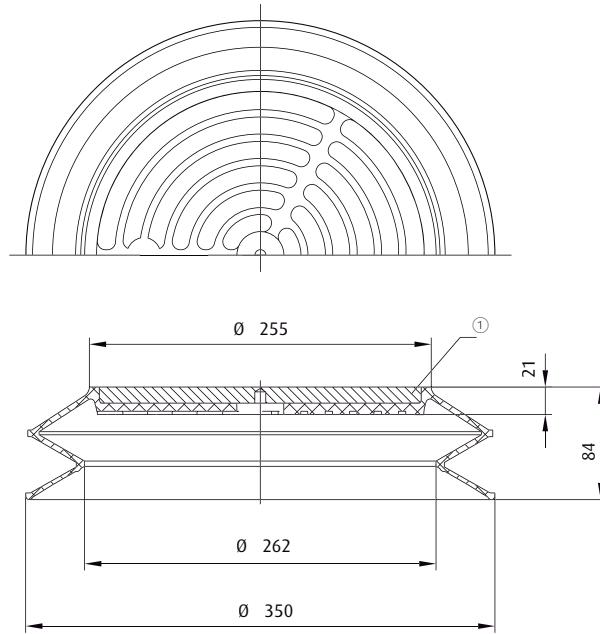
Additional sizes available are found on p. 137.
Ordering notes: Customised drilling patterns on request

* When ordering please add the appropriate material code to item no. You will find it in the foldout.
Average holding forces for Vacuum cups you will find on page 760



Vacuum cups by size | Bellows vacuum cups by \emptyset


\emptyset 350 mm



① = Steel

Item no.
22.350.102.*

Material
NBR (gr)

 55 mm

Additional sizes available are found on p. 137.
Ordering notes: Customised drilling patterns on request

* When ordering please add the appropriate material code to item no. You will find it in the foldout.
Average holding forces for Vacuum cups you will find on page 760