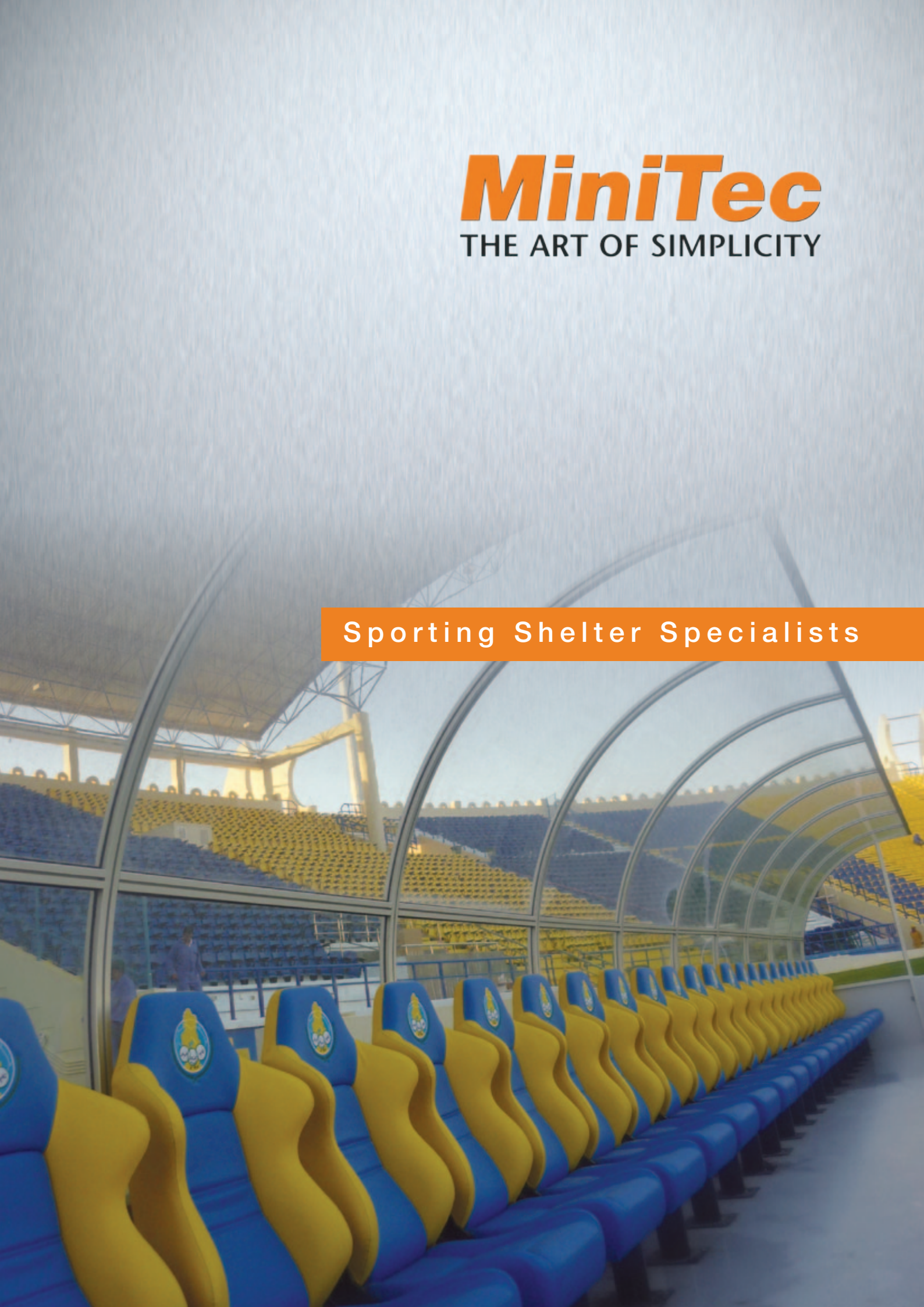


# **MiniTec**

THE ART OF SIMPLICITY

Sporting Shelter Specialists







## Setting the benchmark WORLDWIDE

The MiniTec modular aluminium profile solution is perfect for pitch-side sports and exclusive events shelters.

The shelters can include customised colours and logos, as well as the ability to apply complex curves for aesthetic and practical design variation.

All designs are completed in 3D for you to see the design prior to manufacture.



**MiniTec** successfully design, manufacture and supply shelters to all levels of sport, from grass roots up to the professional elite.



Standard shelter customised in blue and gold livery for local team Basingstoke Town FC, who play in the Blue Square South League.



**Colour Coding**  
to match team/venue

**High Player**  
**Visibility**

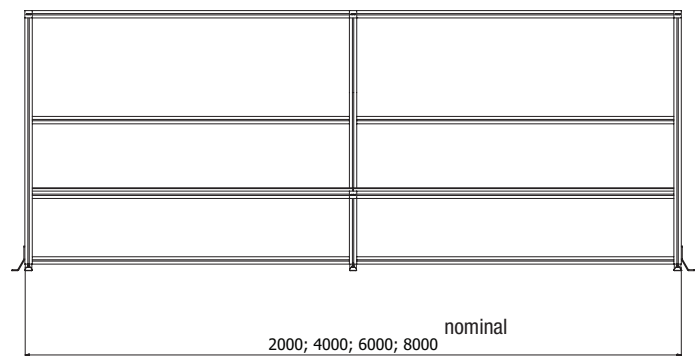
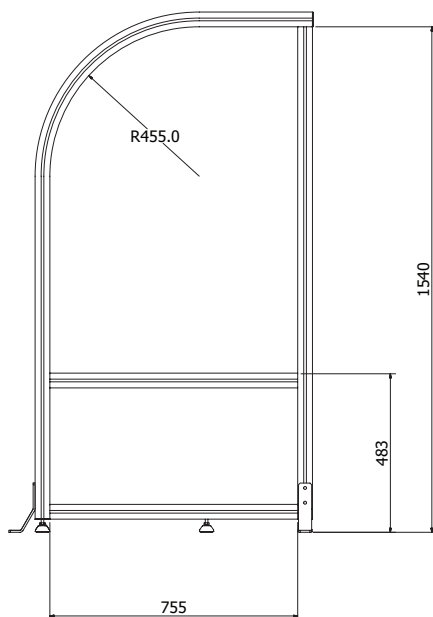
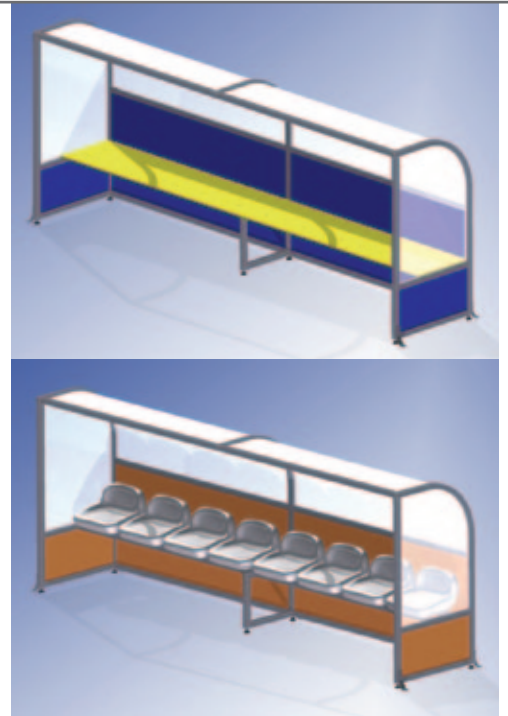
**Large Area**  
**for Advertising**

**Heated Seats**  
**& Shelters\***

\* optional

# Standard Shelters

Construction: Aluminium profile, natural anodised finish  
 Stainless steel & zinc plated fasteners  
 Powder coated brackets  
 Composite panels, lower sections  
 UV rated polycarbonate panels, upper sections  
 UV rated seating



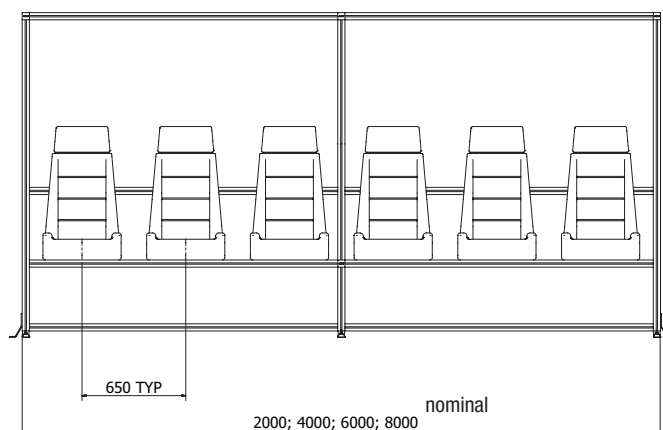
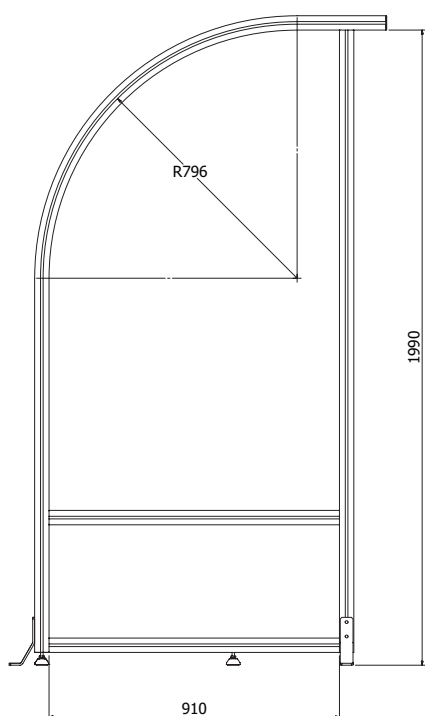
## General stadium applications.

- 1540mm H x 755mm D
- All framework is corrosion proof aluminium with modern, clear anodised finish
- Clear UV rated polycarbonate/PetG on side and top panels
- Composite bottom panels, choice of colours
- Graphic options - Club emblem or 'Home' & 'Away' graphics - also ideal for sponsorship
- Choice of 3 types of seating:
  - Bench style - Hard wearing, colour coded HDPE provides maximum seating area
  - Seat Pods - Colour coded, high & low back options, easy to replace
  - Custom Seats - Colour coded, embroidered logos, quality design for comfort
- Bespoke designed shelters available - mobile or 4th official shelters

Prices from **£1475.00 plus VAT**

# Premier Shelters

Construction: Aluminium profile, natural anodised finish  
 Stainless steel & zinc plated fasteners  
 Powder coated brackets  
 Composite panels, lower sections  
 UV rated polycarbonate panels, upper sections  
 UV rated seating



## General stadium applications.

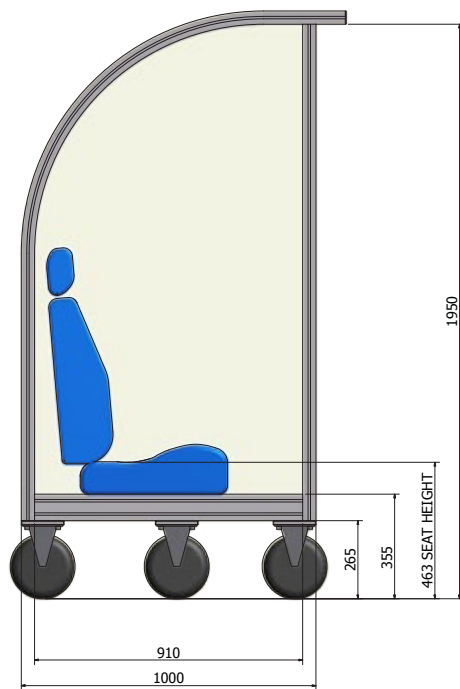
- 1990mm H x 910mm D
- All framework is corrosion proof aluminium with modern, clear anodised finish
- Clear UV rated polycarbonate/PetG on side and top panels
- Composite bottom panels, choice of colours
- Graphic options - Club emblem or 'Home' & 'Away' graphics - also ideal for sponsorship
- Choice of 3 types of seating:
  - Bench style - Hard wearing, colour coded HDPE provides maximum seating area
  - Seat Pods - Colour coded, high & low back options, easy to replace
  - Custom Seats - Colour coded, embroidered logos, quality design for comfort
- Bespoke designed shelters available - mobile or 4th official shelters

Prices from **£2450.00 plus VAT**



# Mobile Shelters

Construction: Aluminium profile, natural anodised finish  
 Stainless steel & zinc plated fasteners  
 Powder coated brackets  
 Composite panels, lower sections  
 UV rated polycarbonate panels, upper sections  
 UV rated seating



## Ideal for multi-purpose stadiums and training grounds.

- All framework is corrosion proof aluminium with modern, clear anodised finish
- Clear UV rated polycarbonate/PetG on side and top panels
- Composite bottom panels, choice of colours
- Graphic options - Club emblem or 'Home' & 'Away' graphics - also ideal for sponsorship
- Choice of 3 types of seating:
  - Bench style - Hard wearing, colour coded HDPE provides maximum seating area
  - Seat Pods - Colour coded, high & low back options, easy to replace
  - Custom Seats - Colour coded, embroidered logos, quality design for comfort
- Solid and pneumatic wheel options
- Team and 4th official shelters
- Shelving options for official/medical equipment

Prices from **£1975.00 plus VAT**

# Seat Options



## Bench Style

- 500mm per person nominal
- Hard wearing, high density plastic
- Colour coded to match your Team/Venue
- Provides maximum seating area



## Plastic Moulded

- 550mm per person nominal
- Hard wearing, high density plastic
- Colour coded to match your Team/Venue
- High and low back options
- Easy to replace and/or change as required



## Quality Custom Seating

- Cobra luxury seats 600-650mm per person
- Colour coded to match your Team/Venue
- Embroidered logos and emblems
- Provides maximum impact seat design
- Quality design for comfort

# Special & Custom Design Shelters



**As manufacturers we can accommodate almost any design and shape you require.**

Pit style shelters that are fixed or removeable

Floor and wall mounted shelters to suit all ground layouts

Mobile seating, supplied in sections for ease of storage and flexibility

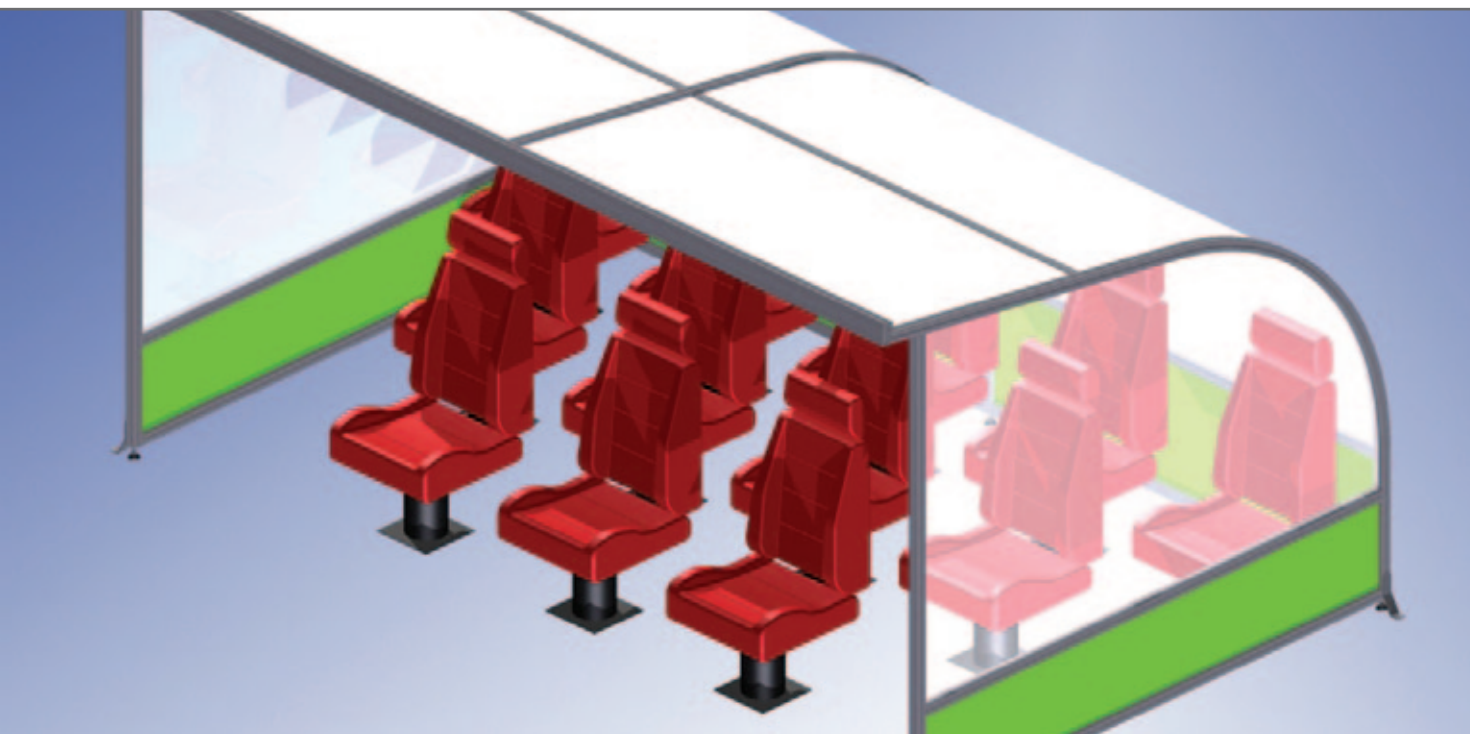


We can offer flexible designs to suit the most imaginative of ideas

Curved profile can provide a unique and eye-catching solution to shelters

**Talk to us first for your shelter requirements**





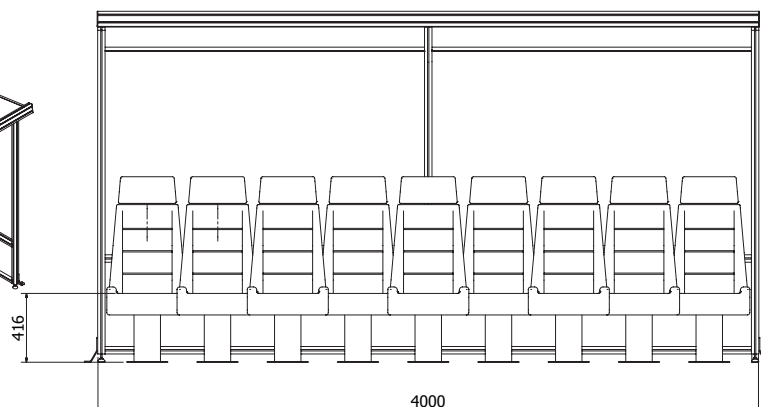
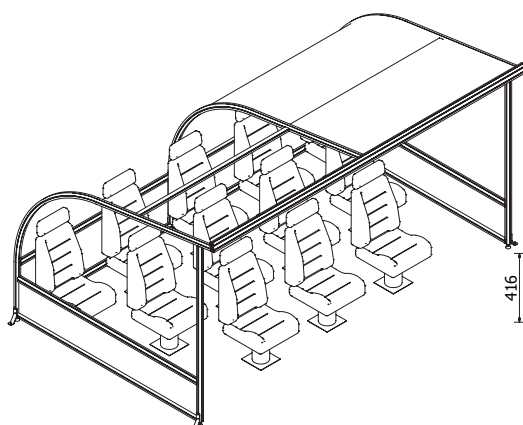
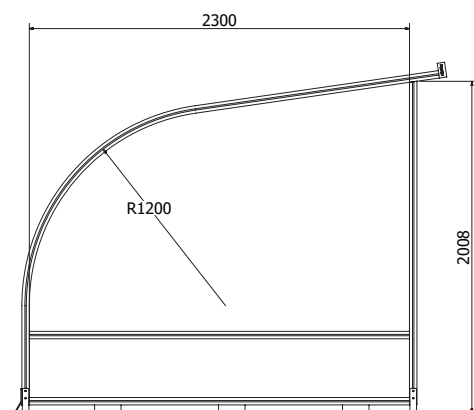
## Box style Shelter

Suitable for multi-row seating

Seats mounted on pedestal or incorporated into shelters

Heating and cooling options available for all shelters

**Price on Application**



# Ordering Information

		Shelter Coding			Internal Code	
		XX-	XX-	XX-	XXX-	MTXXXXXX
<b>Style</b>						
SS	Standard shelter					
SP	Premier shelter					
SM	Mobile shelter					
SC	Custom shelter					
<b>Nominal Length</b>						
20	2m shelter					
40	4m shelter					
60	6m shelter					
<b>Mounting Style</b>						
01	Floor					
02	Wall					
03	Pit					
04	Solid Wheels*					
05	Pneumatic Wheels*					
<i>*SM options only</i>						
<b>Seating Type</b>						
BEN	Bench style					
LPD	Low back seat pod					
HPD	High back seat pod					
PDY	Pro seating Daytona					
PLM	Pro seating Le Mans					
PMS	Pro seating Misano					
<b>Final Design Specifications</b>						
MTXXXX XX	Detailed drawing providing all colour, sizes and installation notes					

**For Example;**

Standard shelter, 6m with bench seating and floor mounted:

**SS-60-01-BEN-MT100100**

Premier shelter, 6m with Daytona seating wall mounted:

**SP-60-02-PDY-MT100101**

Custom pit shelter, 4m with high pod seating:

**SC-40-03-HPD-MT100102**

All pricing is confirmed in writing and supplied with a drawing for your approval.

Delivery and installation charges will be advised at the time of confirming shelter pricing.



# Installation Service

MiniTec UK offer all shelters as fully assembled in our UK factory.

We can offer a full on-site installation service to minimise transportation costs.

This is costed on an individual basis to match location and transportation requirements.

Goods can be supplied fully assembled or in flat-pack form.

**Call us now to discuss your site requirements and preferred delivery option.**





The MiniTec Sporting Shelters are the ideal solution for team and VIP seating.

**FOOTBALL      CRICKET**  
**HORSE RACING**  
**BASKETBALL**  
**RUGBY      HOCKEY**  
**ATHLETICS**

**Contact us now to discuss;**  
**+44 (0)1256 365605**  
**info@minitec.co.uk**

For further information  
please contact:

MiniTec UK Ltd  
Unit 1 Telford Road  
Houndmills Estate  
Basingstoke  
Hampshire  
RG21 6YU

Tel: +44 (0)1256 365605  
Fax: +44 (0)1256 365606  
Email: [info@minitec.co.uk](mailto:info@minitec.co.uk)  
Web: [www.minitec.co.uk](http://www.minitec.co.uk)