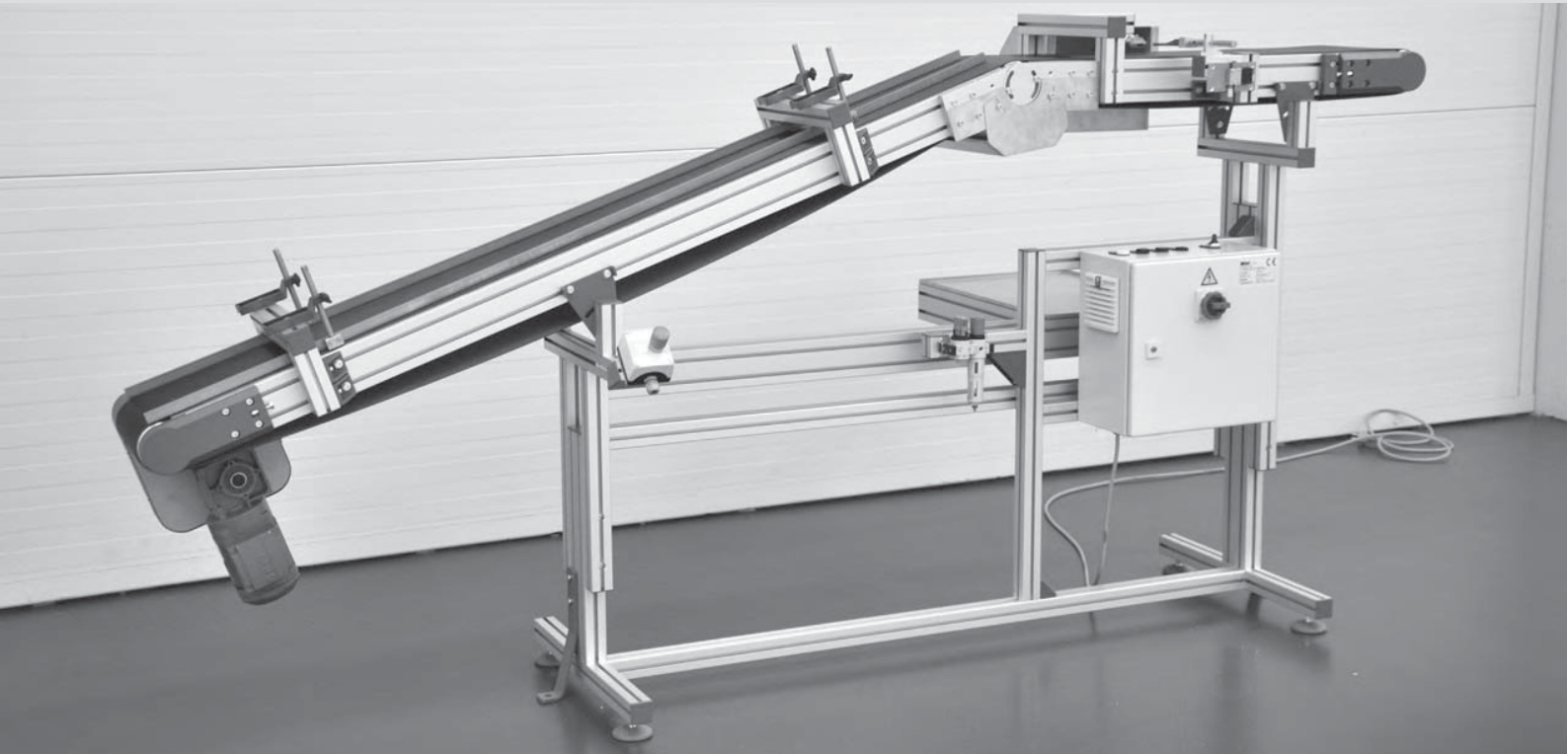


## BELT CONVEYORS

### EXAMPLES



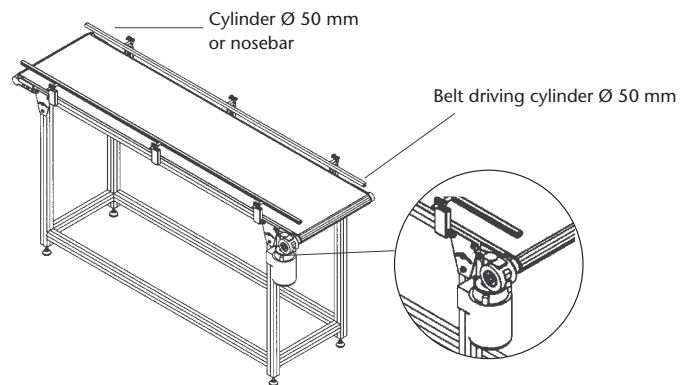
## BELT CONVEYORS

## SERIES 45

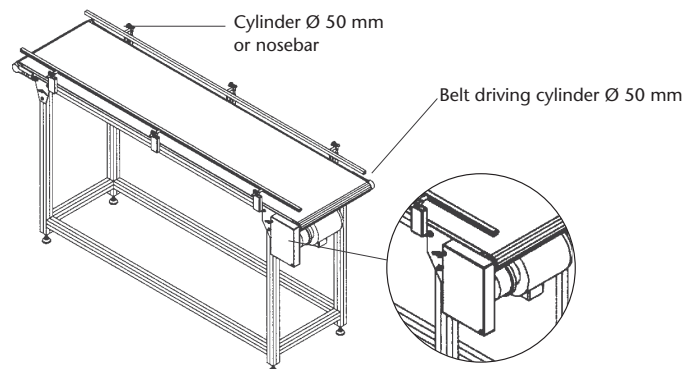
The belt conveyor module in our MiniTec ICADassembler construction software designs your belt conveyor automatically based on your requirements. Furthermore it calculates the deflection, suggests the number of supports and generates the parts list, all within a few minutes. Assembly can be completed quickly and easily as a result of our proven components.

### Motor arrangement

#### Plug-on motor

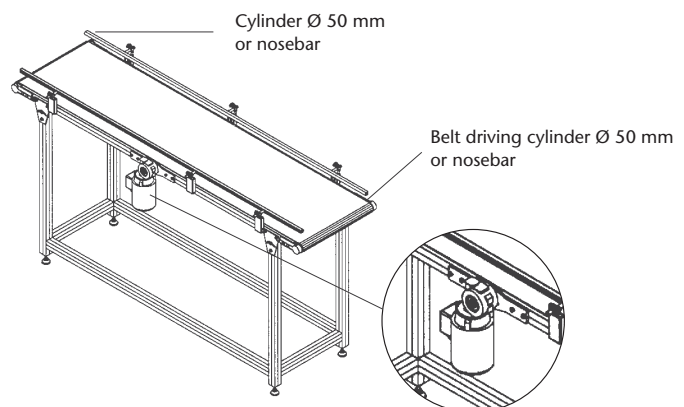


#### Covered flanged motor



#### Center drive (Direct drive)

- Belt width max. 300 mm with nosebar
- Belt width max. 800 mm with cylinder Ø 50

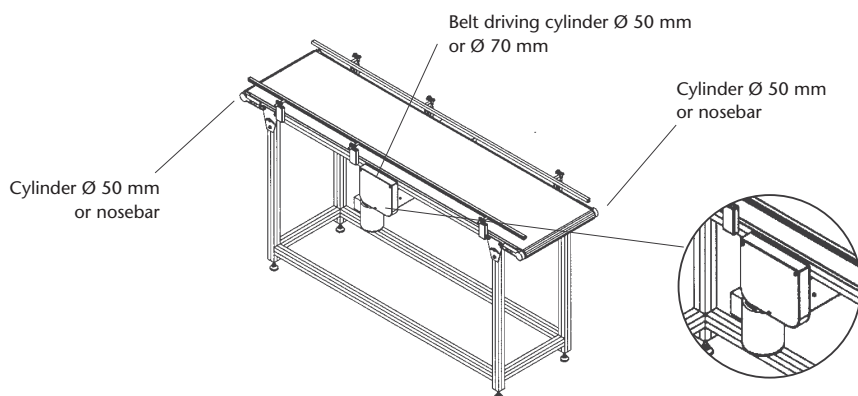


## BELT CONVEYORS

### SERIES 45

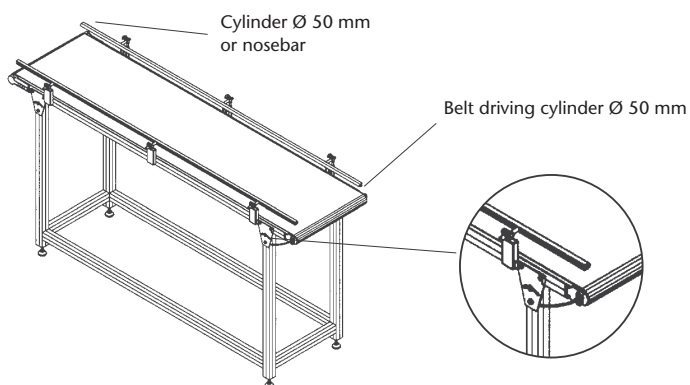
#### Center drive (Direct drive)

- Belt width max. 800 mm

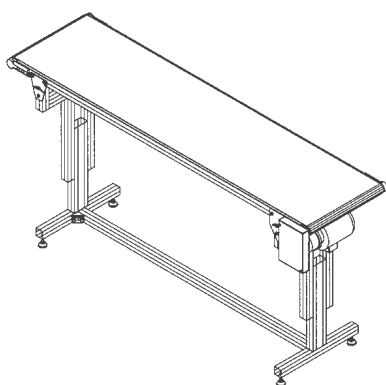


#### Cylinder motor

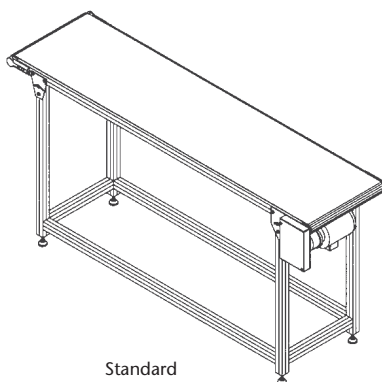
- Belt width min. 260 mm
- Belt width max. 500 mm
- max. length 2000 mm
- max. load 20 kg



#### Subconstructions



Height adjustable



Standard



one foot

## BELT CONVEYORS

### REQUEST STANDARD BELT CONVEYOR 45

#### Standard dimensions

Axial distance  mm  
 Belt width L  mm

#### Operating conditions

Goods to be conveyed   
 Unit weight  kg  
 Total belt load  kg  
 Temperature of goods  °C

#### Subconstruction

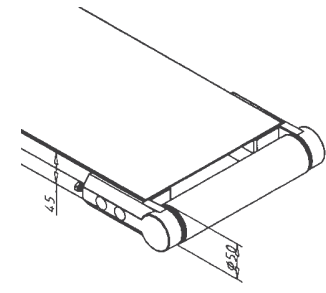
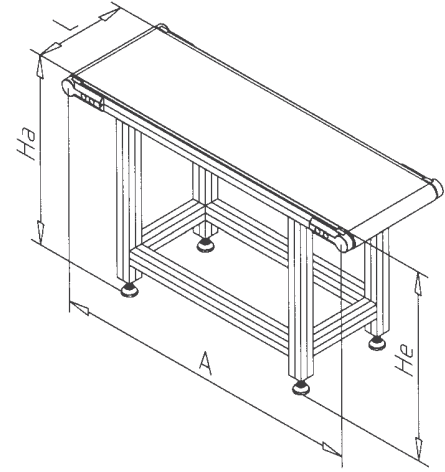
Inlet height He  mm  
 Discharge height Ha  mm  
 Number of supports  Pcs.  
 Supports hight adjustable from  mm to  mm  
 Lateral guide  one side  two sides  short  long  
 Angle bracket for floor fastening  part no. 21.1112/0  
 Floor anchor 12  part no. 21.1115/0  
 Wheels  part no.   
 Feet  part no.

#### Options

Belt  part no.   
 Supporting sheet  Aluminium  Inox

#### Drive

Motor arrangement  Plug-on motor  Flanged motor  
 Cylinder motor  Centerd drive (Direct drive)  
 Center drive 3-Wheels-System  
 Speed  m/min.  
 Speed adjustable from  m/min. to  m/min.



#### Contact details

Company   Please call me back  
 Contact person   Please send me an offer  
 Phone no.   
 Fax no.   
 E-Mail

## BELT CONVEYORS

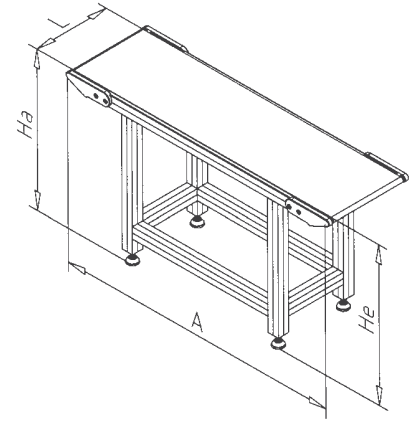
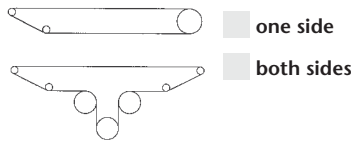
### REQUEST NOSEBAR CONVEYOR

#### Standard dimensions

Axial distance  mm  
 Belt width L  mm (max. 300 mm)

#### Type with nosebar

Goods to be conveyed   
 Unit weight  kg  
 Total belt load  kg  
 Temperature of goods  °C



#### Subconstruction

Inlet height He  mm  
 Discharge height Ha  mm  
 Number of supports  Pcs.  
 Supports hight adjustable from  mm to  mm  
 Lateral guide  one side  both sides  short  long  
 Angle bracket for floor fastening  part no. 21.1112/0  
 Floor anchor 12  part no. 21.1115/0  
 Wheels  part no.   
 Feet  part no.

#### Options

Belt  Part no.   
 Supporting sheet  Aluminium  Inox

#### Drive

	NOSEBAR (ONE SIDE)	NOSEBAR (TWO SIDES)
Motor arrangement	<input type="checkbox"/> Plug-on motor <input type="checkbox"/> Cylinder motor <input type="checkbox"/> Centerd drive (Direct drive)	<input type="checkbox"/> Flanged motor <input type="checkbox"/> Center drive 3-Wheels-System
Speed	<input type="text"/> m/min.	
Speed adjustable from	<input type="text"/> m/min. to <input type="text"/> m/min.	

#### Contact details

Company   Please call me back  
 Contact person   Please send me an offer  
 Phone no.   
 Fax no.   
 E-Mail

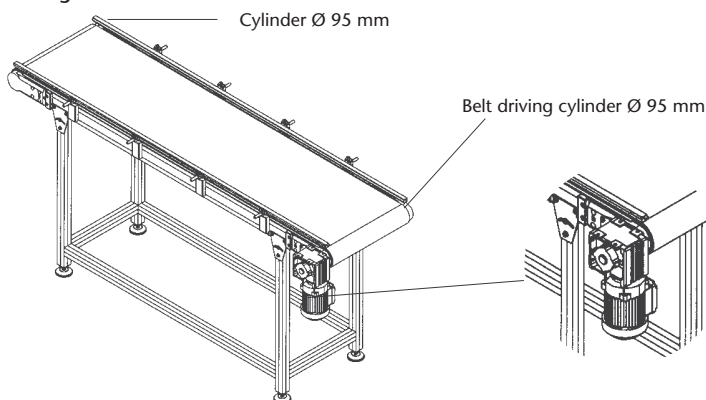
## BELT CONVEYORS

### BELT CONVEYOR – SERIES 90

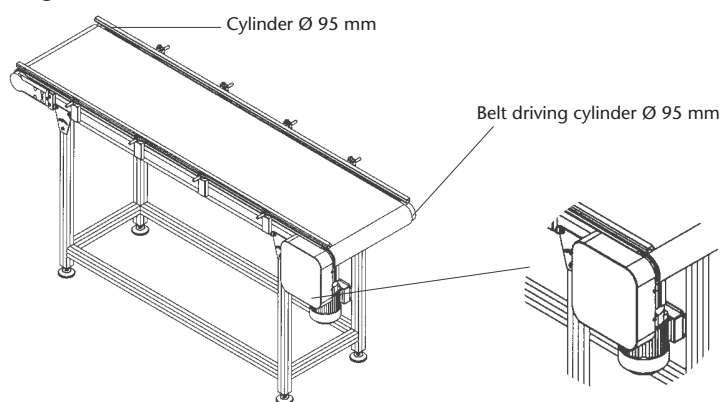
The belt conveyor module in our MiniTec ICADassembler construction software designs your belt conveyor automatically based on your requirements. Furthermore it calculates the deflection, suggests the number of supports and generates the parts list, all within a few minutes. Assembly can be completed quickly and easily as a result of our proven components.

#### Motor arrangement

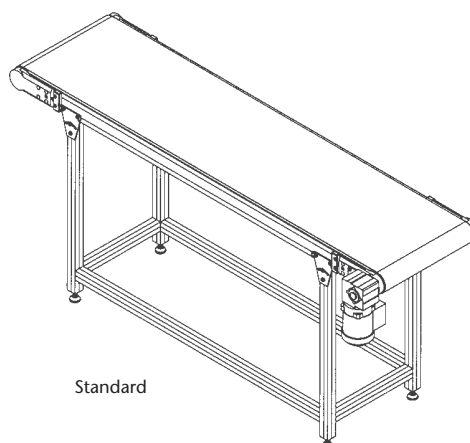
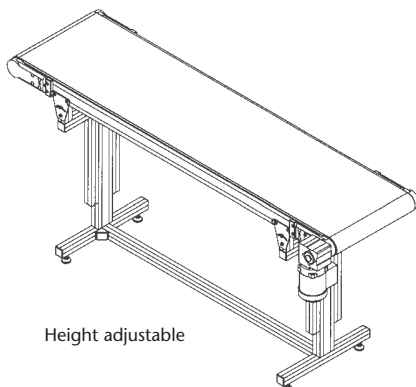
##### Plug-on motor



##### Flanged motor



#### Subconstruction



## BELT CONVEYORS

### REQUEST STANDARD BELT CONVEYOR 90

#### Standard dimensions

Axial distance  mm

Belt width L  mm

#### Operating conditions

Goods to be conveyed

Unit weight  kg

Total belt load  kg

Temperature Goods  °C

#### Subconstruction

Inlet height He  mm

Discharge height Ha  mm

Number of supports  Pcs.

Supports height adjustable from  mm to  mm

Lateral guide  one side  two sides  short  long

Angle bracket for floor fastening  Part no. 21.1112/0

Floor anchor 12  Part no. 21.1115/0

Wheels  Part no.

Feet  Part no.

#### Options

Belt  Part no.

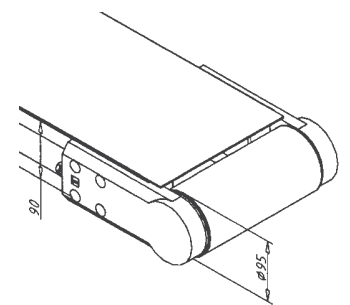
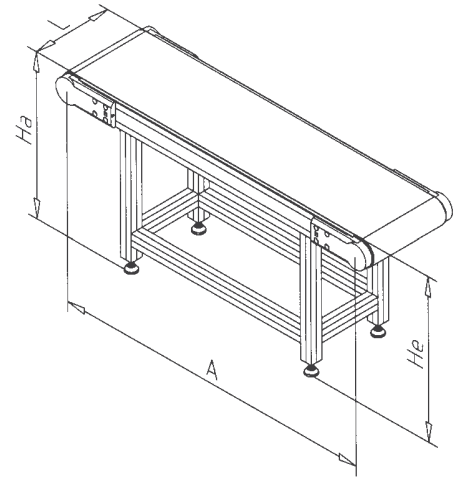
Supporting sheet  Aluminium  Inox

#### Drive

Motor arrangement  Plug-on motor  Flanged motor

Speed  m/min.

Speed adjustable from  m/min. to  m/min.



#### Contact details

Company

Please call me back

Contact person

Please send me an offer

Phone no.

Fax no.

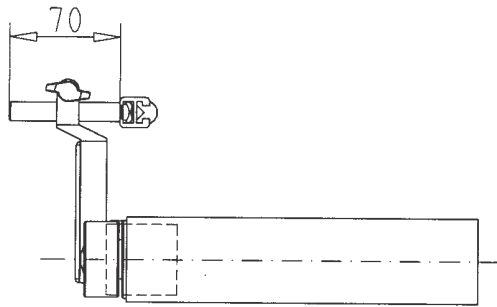
E-Mail

## BELT CONVEYORS

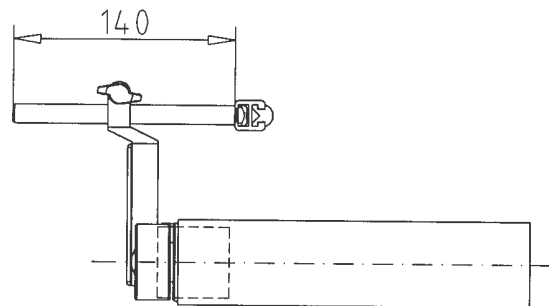
## LATERAL GUIDE

## CONVEYOR 45 AND 90

SHORT

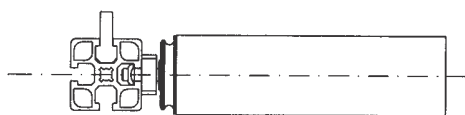


LONG

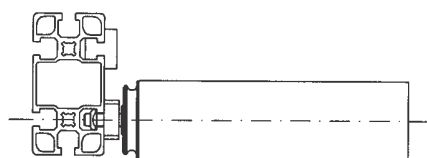


## ROLLER CONVEYOR WITHOUT DRIVE

LOW



HIGH





## BELT CONVEYORS

### BELTS

#### BELTS

BELT	PART NO.
PVC, black, smooth, antistatic	29.5019/1
PVC, green, grip, antistatic	29.5019/2
PVC, green, checks, adhesive, antistatic	29.5019/3
PVC, green, smooth, antistatic	29.5019/4
PU, blue, smooth	29.5019/5
PU, white, smooth, antistatic	29.5019/6
PVC, white, smooth, antistatic	29.5019/7
PU, green, smooth, antistatic	29.5019/8
Mesh, white, antistatic	29.5019/9
Special belts on request	29.5019/0

#### Calculation of endless length EL

For cylinder 45:  $EL = 2 \times A + 165 \text{ mm}$

For cylinder 90:  $EL = 2 \times A + 305 \text{ mm}$

#### EXAMPLES FOR SPECIAL BELTS

