

TABLETOPS



For the different assembly tasks, a selection of Tabletops is available.

The maximum plate sizes can also be found on the following pages in the item description.

Within the listed dimensions we can realize every special dimension.

The Tabletops are fixed to the base frame with mounting bracket 25 GD-Z and chipboard screws.

	Scratch	Abrasion	Stroke	Warmth	Humidity	Oil	Chemicals	ESD, antistatic	Light reflection	Layer thickness
Melamine	●	●	●	●	●	●	●	○	●	0,2
Laminate	●	●	●	●	●	●	●	○	●	0,8
HPL	●	●	●	●	●	●	●	○	●	3
Multiplex	●	●	●	●	●	●	●	○	●	-
Melamine conductive	●	●	●	●	●	●	●	●	●	0,2
PE 500 R	●	●	●	●	●	●	●	○	○	-
HPL Compact tabletop	●	●	●	●	●	●	●	○	●	-
HPL ESD Compact tabletop	●	●	●	●	●	●	●	●	●	-

● Very suitable

● conditionally suitable

● little suitable

○ not suitable

TABLETOPS

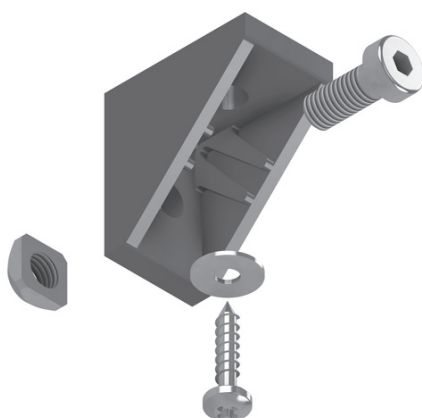
part no.	Article	Color	Thickness (mm)	Width W (mm)	Depth D (mm)
32.0410/0	Tabletop melamine	Light grey RAL 7035	22mm	B= (≤2760mm)	T= (≤2060mm)
32.4110/0	Tabletop melamine	Light grey RAL 7035	22mm	1000mm	700mm
32.4120/0	Tabletop melamine	Light grey RAL 7035	22mm	1200mm	700mm
32.4140/0	Tabletop melamine	Light grey RAL 7035	22mm	1500mm	700mm
32.4160/0	Tabletop melamine	Light grey RAL 7035	22mm	2000mm	700mm
32.4200/0	Tabletop hard laminate	Light grey RAL 7035	20mm	B= (≤2750mm)	T= (≤1250mm)
32.4210/0	Tabletop hard laminate	Light grey RAL 7035	20mm	1000mm	700mm
32.4220/0	Tabletop hard laminate	Light grey RAL 7035	20mm	1200mm	700mm
32.4240/0	Tabletop hard laminate	Light grey RAL 7035	20mm	1500mm	700mm
32.4260/0	Tabletop hard laminate	Light grey RAL 7035	20mm	2000mm	700mm
32.4700/0	Tabletop hard laminate	Light grey RAL 7035	40mm	B= (≤2750mm)	T= (≤1250mm)
32.4710/0	Tabletop hard laminate	Light grey RAL 7035	40mm	1000mm	700mm
32.4720/0	Tabletop hard laminate	Light grey RAL 7035	40mm	1200mm	700mm
32.4740/0	Tabletop hard laminate	Light grey RAL 7035	40mm	1500mm	700mm
32.4760/0	Tabletop hard laminate	Light grey RAL 7035	40mm	2000mm	700mm
32.0440/0	Tabletop multiplex beech	Polished, natural	20mm	B = (≤2460mm)	T = (≤1460mm)
32.4410/0	Tabletop multiplex beech	Polished, natural	20mm	1000mm	700mm
32.4420/0	Tabletop multiplex beech	Polished, natural	20mm	1200mm	700mm
32.4440/0	Tabletop multiplex beech	Polished, natural	20mm	1500mm	700mm
32.4460/0	Tabletop multiplex beech	Polished, natural	20mm	2000mm	700mm
32.0490/0	Tabletop multiplex beech	Polished, natural	40mm	B = (≤2460mm)	T = (≤1460mm)
32.4910/0	Tabletop multiplex beech	Polished, natural	40mm	1000mm	700mm
32.4920/0	Tabletop multiplex beech	Polished, natural	40mm	1200mm	700mm
32.4940/0	Tabletop multiplex beech	Polished, natural	40mm	1500mm	700mm
32.4960/0	Tabletop multiplex beech	Polished, natural	40mm	2000mm	700mm
Clearcoating or oiled on request					

TABLETOPS

part no.	Article	Color	Thickness (mm)	Width W (mm)	Depth D (mm)
32.0460/0	ESD-Tabletop melamine	Light grey RAL 7035	25mm	B = (≤ 2760 mm)	T = (≤ 2060 mm)
32.4610/0	ESD-Tabletop melamine	Light grey RAL 7035	25mm	1000mm	700mm
32.4620/0	ESD-Tabletop melamine	Light grey RAL 7035	25mm	1200mm	700mm
32.4640/0	ESD-Tabletop melamine	Light grey RAL 7035	25mm	1500mm	700mm
32.4660/0	ESD-Tabletop melamine	Light grey RAL 7035	25mm	2000mm	700mm
32.6100/0	Tabletop PE 500 R	Confetti	25mm	B= (≤ 3000 mm)	32.6100/0
32.6110/0	Tabletop PE 500 R	Confetti	25mm	1000mm	700mm
32.6120/0	Tabletop PE 500 R	Confetti	25mm	1200mm	700mm
32.6140/0	Tabletop PE 500 R	Confetti	25mm	1500mm	700mm
32.6160/0	Tabletop PE 500 R	Confetti	25mm	2000mm	700mm
The colour spread may vary in shape, size and colour depending on the delivery.					
32.6000/0	Tabletop PE 500 R	black	25mm	B= (≤ 3000 mm)	T= (≤ 1250 mm)
32.6010/0	Tabletop PE 500 R	black	25mm	1000mm	700mm
32.6020/0	Tabletop PE 500 R	black	25mm	1200mm	700mm
32.6040/0	Tabletop PE 500 R	black	25mm	1500mm	700mm
32.6060/0	Tabletop PE 500 R	black	25mm	2000mm	700mm
plate made of aluminium, PVC, stainless steel or requested material					
32.6204/0	HPL Compact tabletop	Light grey	20mm	B= (≤ 2520 mm)	T= (≤ 1280 mm)
32.6208/0	HPL ESD Compact tabletop	Light grey	20mm	B= (≤ 2520 mm)	T= (≤ 1280 mm)

Mounting angle for tabletops

Part no.
32.0401/0



Technical Data:

- Mounting angle 25; Chip-board screw with washer; Cylinder head screw with sliding nut
- For Tabletops from 22 mm
- Für EPA/ESD Anwendungen Part no. 32.0401/6
- Weight 0,058 kg

Application:

- Fixing Tabletops from 22 mm on the profile frame

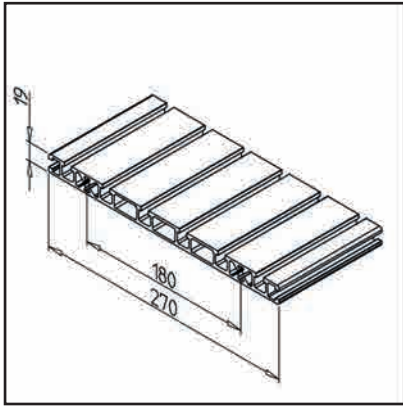
Assembly:

- Fasten with fastening material from the scope of delivery to the profile groove
- For retrofitting to a vertical groove, preferably square nut M8 with groove fixing, Part no. 21.1351/2 use
- Screw chipboard screw with washer into Tabletop, if necessary pre-drill

PROFILE 270 X 19

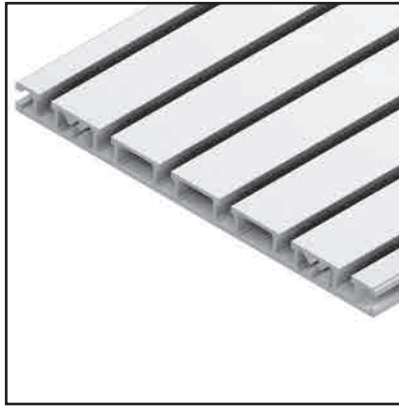
Part no.

20.1077/0



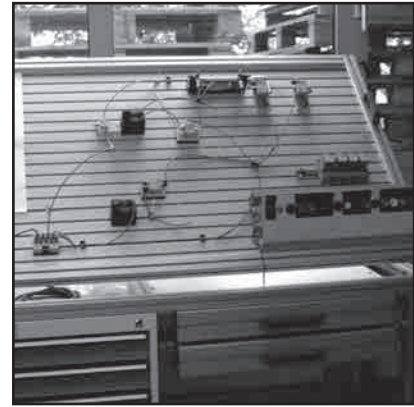
TECHN. DATA / ITEMS SUPPLIED

- Aluminium, extruded, anodized E6/EV1
- $I_x = 10.348 \text{ cm}^4$
- $I_y = 1352.197 \text{ cm}^4$
- $w_x = 10.167 \text{ cm}^3$
- $w_y = 100.162 \text{ cm}^3$
- Weight = 5.612 kg/m
- Bar length = 6 m
- Packing unit = 18 m



APPLICATIONS

- Mounting plates
- Workstations
- Training set-ups for training and further education with universal clamping base **part no. P2.0060/0**
- Demonstration units



ASSEMBLY

- MiniTec power-lock fastener
- Screw connection
- Bolt connector