

## DRAWER BASE CABINETS

Drawer base cabinets ensure perfect order at the workplace. There are the right ones for every need. Usable heights, subdivisions or deposits. All base cabinets are available for right or left extension.

**Casing:**

- Sheet steel construction
- Load-bearing capacity: to 200 kg
- Standard with central lock, single pullout lock and cylinder lock with 2 keys
- Easy construction

**Drawers:**

- The individual drawers can be loaded up to 35 kg, 80% extendable, perforated bottom
- Standard with large handle with label
- Standard paint:
  - Casing light grey RAL 7035
  - Drawer / Door brilliant blue RAL 5007
- Standard painting in ESD version:
  - Completely light grey RAL 7035

■ **Paintings Optional\*:**

- grey green, HF 0001 (similar. RAL 6000)
- resedagreen, RAL 6011
- light grey, RAL 7035
- light blue, RAL 5012
- ruby red, RAL 3003
- water blue, RAL 5021
- anthracite, RAL 7016
- red orange, RAL 2001
- brilliant blue, RAL 5007
- alu-silver, (similar) RAL 9006

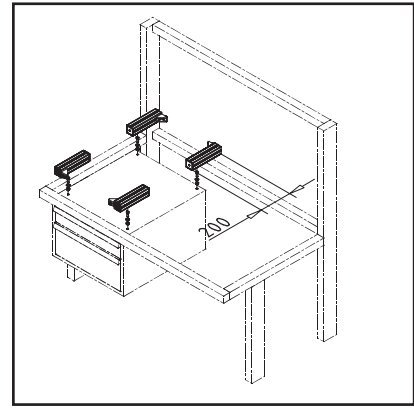
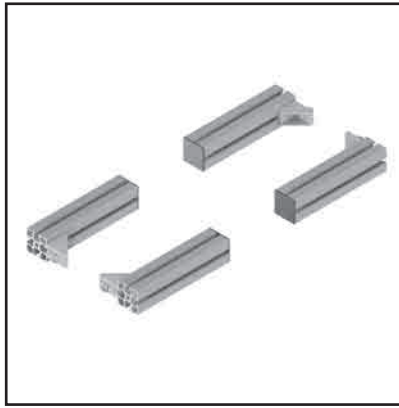
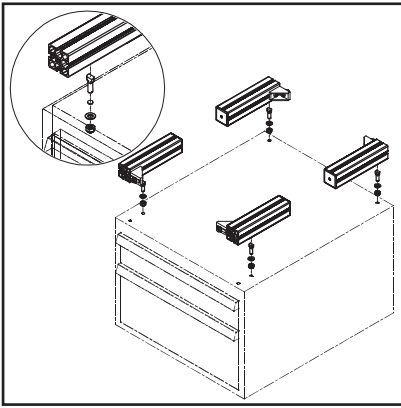
\*at the same price as standard



## FASTENING SET FLOOR CABINET

Part no.

32.0806/0



### TECHN. DATA / ITEMS SUPPLIED

- Aluminium, anodized E6/EV1
- Composed of:
  - 4x Profile 45x45 - L=200 mm
  - 4x Mounting bracket 25 S
  - 4x Hammer head screw M8 with nut
- Suitable for ESD-designs
- Weight = 1.951 kg/piece

### APPLICATIONS

- For the attachment of floor cabinets on table frame

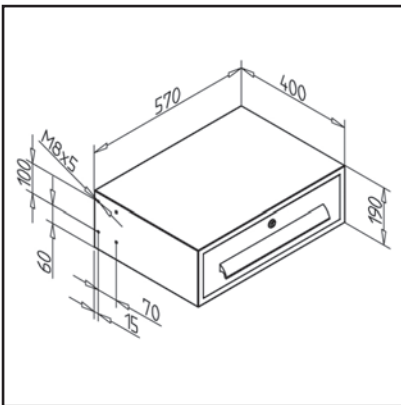
### ASSEMBLY

- With fastening material included
- Screw fastening set on base frame
- Remove drawers from counter cabinet
- Place the hammer screws on the cabinet
- Swing in the cabinet with the hammer screws in the profile groove, tighten the nuts

## DRAWER BASE CABINET 200

Part no.

32.0809/0



### TECHN. DATA / ITEMS SUPPLIED

- Steel, lacquered
- Without fastening kit
- Color:
  - Corpus light grey RAL 7035
  - Drawer brilliant blue RAL 5007

- Cylinder lock with 2 keys
- Max. load capacity: 35kg
- Large handle bar with label adapter
- Can be pulled out up to 80 %
- Weight = 10.410 kg/piece

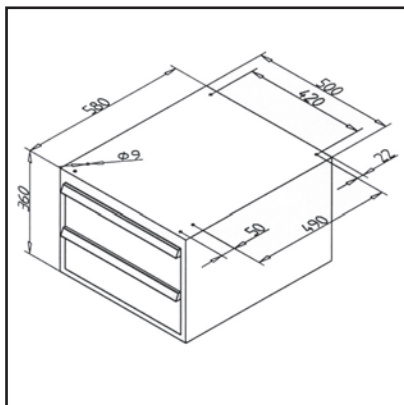
### ASSEMBLY

- Use side threads or drill your own holes
- Alternatively with mounting set for under counter cabinet **part no. 32.0806/0** Insert 4 x 8.5 holes at the appropriate location

**DRAWER BASE CABINET 150/150**

Part no.

32.0810/0

**TECHN. DATA / ITEMS SUPPLIED**

- Steel, lacquered
- With fastening material steel, zinc plated
- Color:
  - Corpus light grey RAL 7035
  - Drawer brilliant blue RAL 5007
- Cylinder lock with 2 keys, center locking for all drawers
- Individual drawer locking
- 2 drawers, H = 150 mm, with perforated bottom
- Large handle bar with label adapter
- Can be pulled out up to 80 %
- Drawer inside W = 425 mm T = 550 mm, effective height = H-10 mm
- Max. load capacity per compartment 35kg
- Max. load capacity per cabinet: 200 kg
- Weight = 22.570 kg/piece

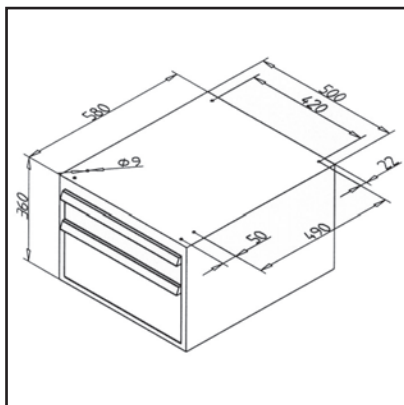
**ASSEMBLY**

- Use fastening kit to fasten to base frame
- Alternatively attach with mounting set **part no. 32.0806/0** to strut profiles of the base frame
- Also in ESD version **part no. 32.0810/6**
- Optionally available in different colors **part no. 32.0810/2**

**DRAWER BASE CABINET 100/200**

Part no.

32.0811/0

**TECHN. DATA / ITEMS SUPPLIED**

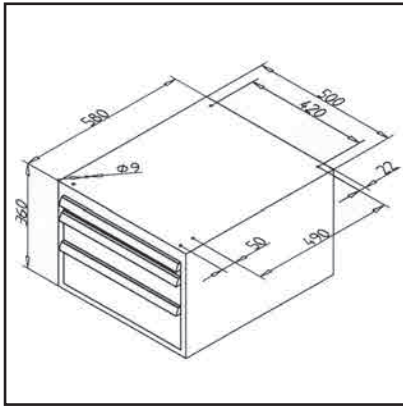
- Steel, lacquered
- With fastening material steel, zinc plated
- Color:
  - Corpus light grey RAL 7035
  - Drawer brilliant blue RAL 5007
- Cylinder lock with 2 keys, center locking for all drawers
- Individual drawer locking
- 1 drawer H = 100 mm, 1 drawer H = 200 mm, with perforated bottom
- Large handle bar with label adapter
- Can be pulled out up to 80 %
- Drawer inside W = 425 mm T = 550 mm, effective height = H-10 mm
- Max. load capacity per compartment 35kg
- Max. load capacity per cabinet: 200 kg
- Weight = 22.570 kg/piece

**ASSEMBLY**

- Use fastening kit to fasten to base frame
- Alternatively attach with mounting set **part no. 32.0806/0** to strut profiles of the base frame
- Also available in ESD version **part no. 32.0811/6**
- Optionally available in different colors **part no. 32.0811/2**

## DRAWER BASE CABINET 50/100/150

Part no. 32.0812/0



### TECHN. DATA / ITEMS SUPPLIED

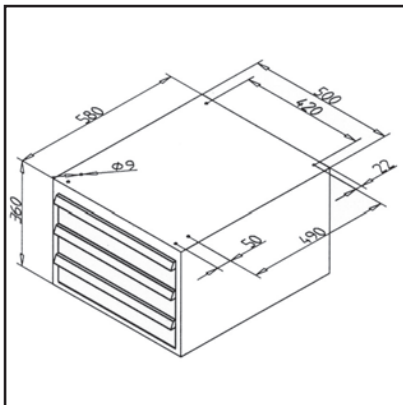
- Steel, lacquered
- With fastening material steel, zinc plated
- Color:
  - Corpus light grey RAL 7035
  - Drawer brilliant blue RAL 5007
- Cylinder lock with 2 keys, center locking for all drawers
- Individual drawer locking
- 1 drawer H = 50 mm, 1 drawer H = 100 mm, 1 drawer H = 150 mm, with perforated bottom
- Large handle bar with label adapter
- Can be pulled out up to 80 %
- Drawer inside W = 425 mm T = 550 mm, effective height = H-10 mm
- Max. load capacity per compartment 35kg
- Max. load capacity per cabinet: 200 kg
- Weight = 33.000 kg/piece

### ASSEMBLY

- Use fastening kit to fasten to base frame
- Alternatively attach with mounting set **part no. 32.0806/0** to strut profiles of the base frame
- Also in ESD version **part no. 32.0812/6**
- Optionally available in different colors **part no. 32.0812/2**

## DRAWER CABINET 100/100/100

Part no. 32.0813/0



### TECHN. DATA / ITEMS SUPPLIED

- Steel, lacquered
- With fastening material steel, zinc plated
- Color:
  - Corpus light grey RAL 7035
  - Drawer brilliant blue RAL 5007
- Cylinder lock with 2 keys, center locking for all drawers
- Individual drawer locking
- 3 drawers H = 100 mm, with perforated bottom
- Large handle bar with label adapter
- Can be pulled out up to 80 %
- Drawer inside W = 425 mm T = 550 mm, effective height = H-10 mm
- Max. load capacity per compartment 35kg
- Max. load capacity per cabinet: 200 kg
- Weight = 33.000 kg/piece

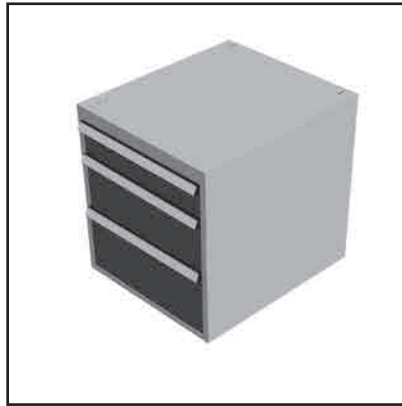
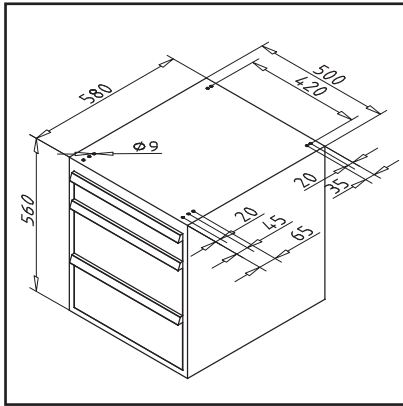
### ASSEMBLY

- Use fastening kit to fasten to base frame
- Alternatively attach with mounting set **part no. 32.0806/0** to strut profiles of the base frame
- Also in ESD version **part no. 32.0813/6**
- Optionally available in different colors **part no. 32.0813/2**

**DRAWER BASE CABINET 100/200/200**

Part no.

32.0819/0

**TECHN. DATA / ITEMS SUPPLIED**

- Steel, lacquered
- With fastening material steel, zinc plated
- Color:
  - Corpus light grey RAL 7035
  - Drawer brilliant blue RAL 5007
- Cylinder lock with 2 keys, center locking for all drawers
- Individual drawer locking
- 1 drawer H = 100 mm, 2 drawers H = 200 mm, with perforated bottom
- Large handle bar with label adapter
- Can be pulled out up to 80 %
- Drawer inside W = 425 mm T = 550 mm, effective height = H-10 mm
- Max. load capacity per compartment 35kg
- Max. load capacity per cabinet: 200 kg
- Weight = 34.220 kg/piece

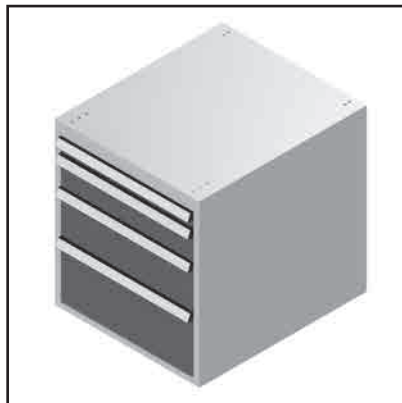
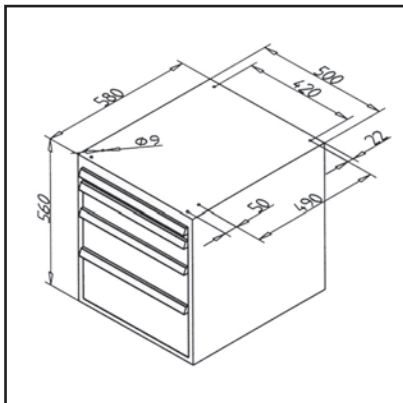
**ASSEMBLY**

- Use fastening kit to fasten to base frame
- Alternatively attach with mounting set **part no. 32.0806/0** to strut profiles of the base frame
- Also in ESD version **part no. 32.0819/6**
- Optionally available in different colors **part no. 32.0819/2**

**DRAWER BASE CABINET 50/100/150/200**

Part no.

32.0814/0

**TECHN. DATA / ITEMS SUPPLIED**

- Steel, lacquered
- With fastening material steel, zinc plated
- Color:
  - Corpus light grey RAL 7035
  - Drawer brilliant blue RAL 5007
- Cylinder lock with 2 keys, center locking for all drawers
- Individual drawer locking
- 1 drawer H = 50 mm, 1 drawer H = 100 mm, 1 drawer H = 150 mm, 1 drawer H = 200 mm, with perforated bottom
- Large handle bar with label adapter
- Can be pulled out up to 80 %
- Drawer inside W = 425 mm T = 550 mm, effective height = H-10 mm
- Max. load capacity per compartment 35kg
- Max. load capacity per cabinet: 200 kg
- Weight = 35.330 kg/piece

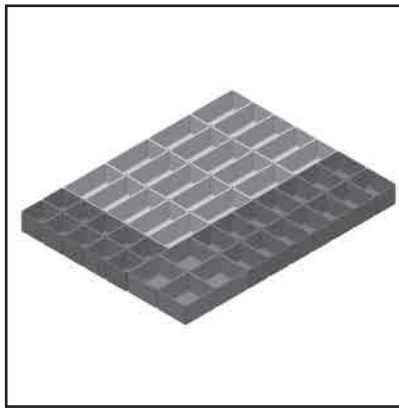
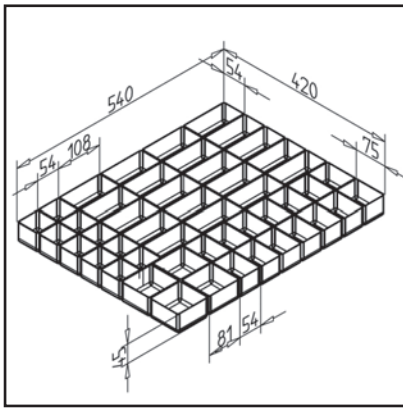
**ASSEMBLY**

- Use fastening kit to fasten to base frame
- Alternatively attach with mounting set **part no. 32.0806/0** to strut profiles of the base frame
- Also in ESD version **part no. 32.0814/6**
- Optionally available in different colors **part no. 32.0814/2**

## DRAWER CONTAINER SET 1

Part no.

32.0807/0



### TECHN. DATA / ITEMS SUPPLIED

- B x T 425 x 550 mm
- For panel height 100-300 mm
- 20 x Container yellow 54 x 108 x 45 mm
- 14 x Container red 54 x 75 x 45 mm
- 10 x Container red 54 x 54 x 45 mm

- 4 x Container green 75 x 81 x 45 mm
- Other arrangements on request
- High impact polystyrene
- Weight = 1.060 kg/piece

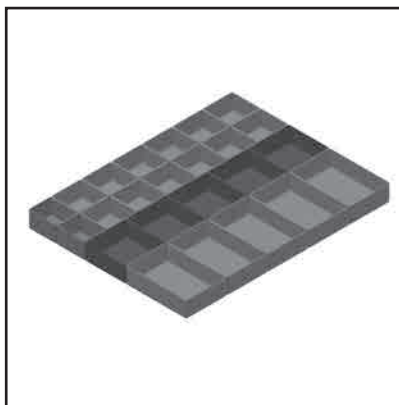
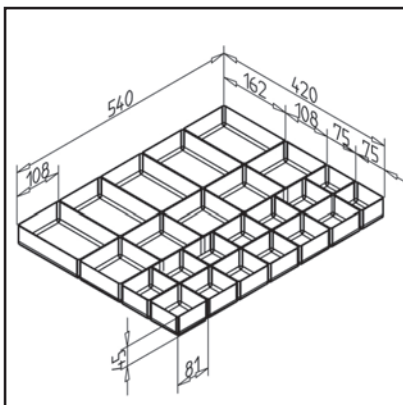
### ASSEMBLY

- Easy to remove and reinstall

## DRAWER CONTAINER SET 2

Part no.

32.0808/0



### TECHN. DATA / ITEMS SUPPLIED

- B x T 425 x 550 mm
- For panel height 100-300 mm
- 12 x Container green 75 x 81 x 45 mm
- 5 x case 108 x 108 x 45 mm
- 5 x Container green 108 x 162 x 45 mm

- 2 x Container red 54 x 75 x 45 mm
- Other arrangements on request
- High impact polystyrene
- Weight = 0.965 kg/piece

### ASSEMBLY

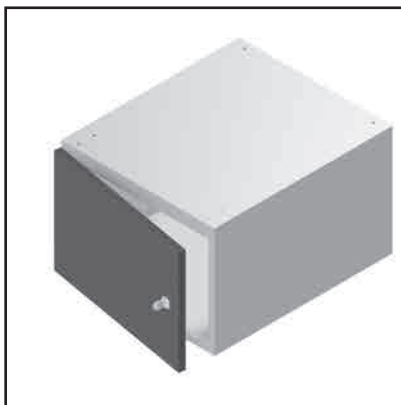
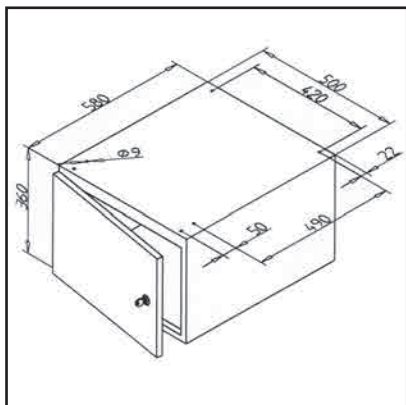
- Easy to remove and reinstall



**DOORS BASE CABINET SMALL**

Part no.

--...../-

**TECHN. DATA / ITEMS SUPPLIED**

- Steel, lacquered
  - With fastening material steel, zinc plated
  - Color:
    - body light grey RAL 7035
    - door brilliant blue RAL 5007
  - Cylinder lock with 2 keys, 1 shelf
  - Max.load capacity per cabinet: 200 kg
- Left version (as shown) **part no. 32.0815/0**
  - Right version **part no. 32.0815/1**
  - Other colors:
    - left version under **part no. 32.0815/2**
    - Right version at **part no. 32.0815/3**
  - Weight = 34.000 kg/piece

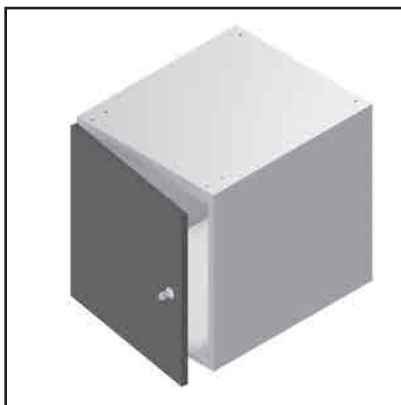
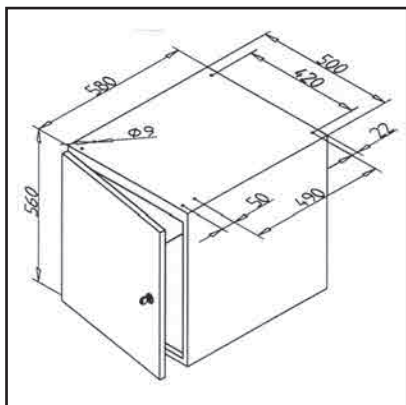
**ASSEMBLY**

- Use fastening kit to fasten to base frame
- Alternatively attach with mounting set **part no. 32.0806/0** to strut profiles of the base frame

**DOORS BASE CABINET LARGE**

Part no.

--...../-

**TECHN. DATA / ITEMS SUPPLIED**

- Steel, lacquered
  - With fastening material steel, zinc plated
  - Color:
    - body light grey RAL 7035
    - door brilliant blue RAL 5007
  - Cylinder lock with 2 keys, 1 shelf
  - Max.load capacity per cabinet: 200 kg
- Left version (as shown) **part no. 32.0816/0**
  - Right version **part no. 32.0816/1**
  - Other colors:
    - left version under **part no. 32.0816/2**
    - Right-hand version at **part no. 32.0816/3**
  - Weight = 43.500 kg/piece

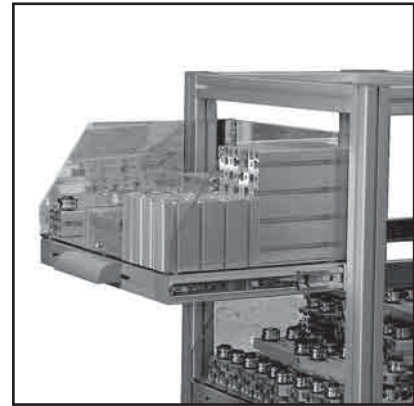
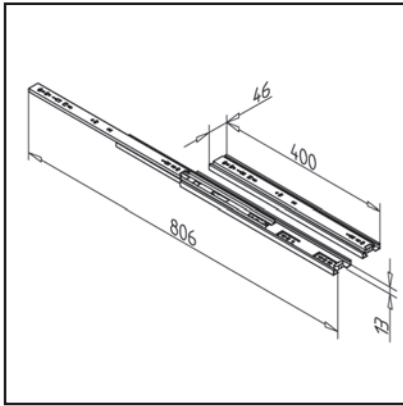
**ASSEMBLY**

- Use fastening kit to fasten to base frame
- Alternatively attach with mounting set **part no. 32.0806/0** to strut profiles of the base frame

## TELESCOPIC GUIDE FULL EXTENSION 400

Part no.

32.0801/0



### TECHN. DATA / ITEMS SUPPLIED

- Steel, galvanized
- with a self-closing feature
- Max. load capacity per compartment 35kg
- Mounting length 400 mm, pull-out length

406 mm

- **Other lengths on request**
- Items supplied: 2 pieces
- Weight = 1.225 kg/pair

### ASSEMBLY

- Fasten to the side of drawers and profile