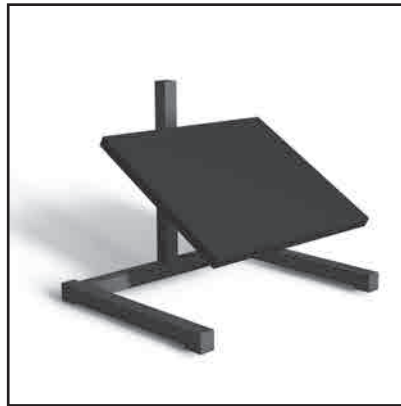
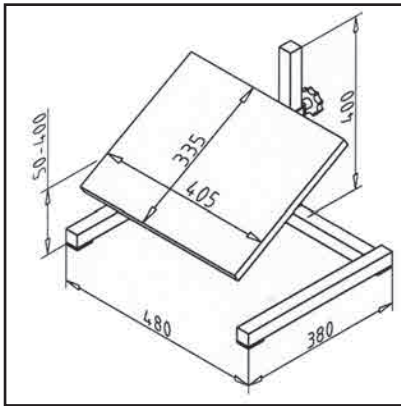


FOOT REST ECO

Part no.

32.0155/0



TECHN. DATA / ITEMS SUPPLIED

- Stable tubular steel frame made of 30 mm square tube
- Fully assembled
- Foot rest: Grooved anti skid rubber
- W x L x H= 400 x 330 x 410 mm

- ESD on request
- Height-adjustable and inclinable
- Inclination adjustable by foot
- Free-standing
- Weight = 5.700 kg/piece

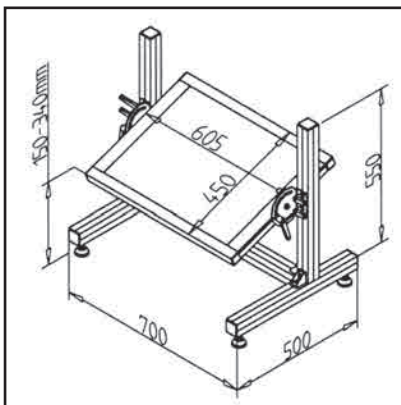
APPLICATIONS

- Facilitates proper sitting at the table

FOOT REST STANDARD

Part no.

32.0160/0



TECHN. DATA / ITEMS SUPPLIED

- Base construction profile 45x45 under tables, workstations
- Fully assembled
- Footrest: chipboard, coated, basalt grey, oil resistant

- ESD on request
- Height and inclination manually adjustable
- Free-standing
- Weight = 9.475 kg/piece

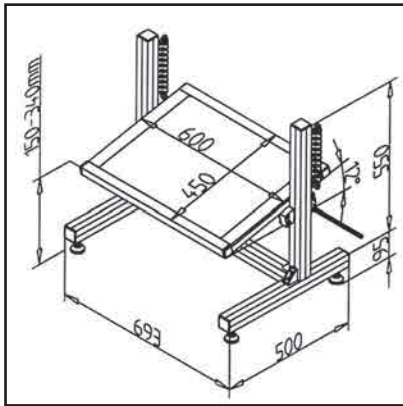
APPLICATIONS

- Facilitates proper sitting at the table

FOOT REST COMFORT

Part no.

32.0165/0

**TECHN. DATA / ITEMS SUPPLIED**

- Base construction profile 45x45 under tables, workstations
- Fully assembled
- Footrest: chipboard, coated, basalt grey, oil resistant
- ESD on request
- Spring-tensioned height adjustment, height adjustable from seating position
- Free-standing
- Weight = 10.200 kg/piece

APPLICATIONS

- Facilitates proper sitting at the table