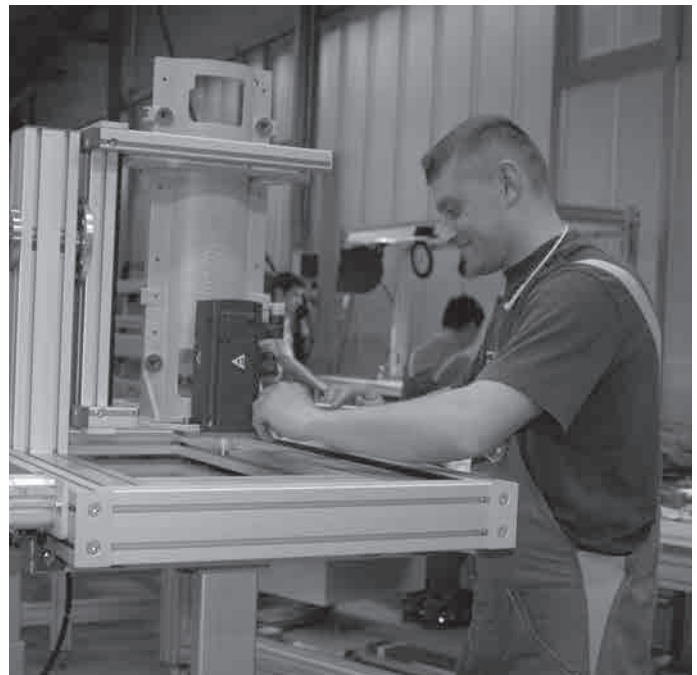
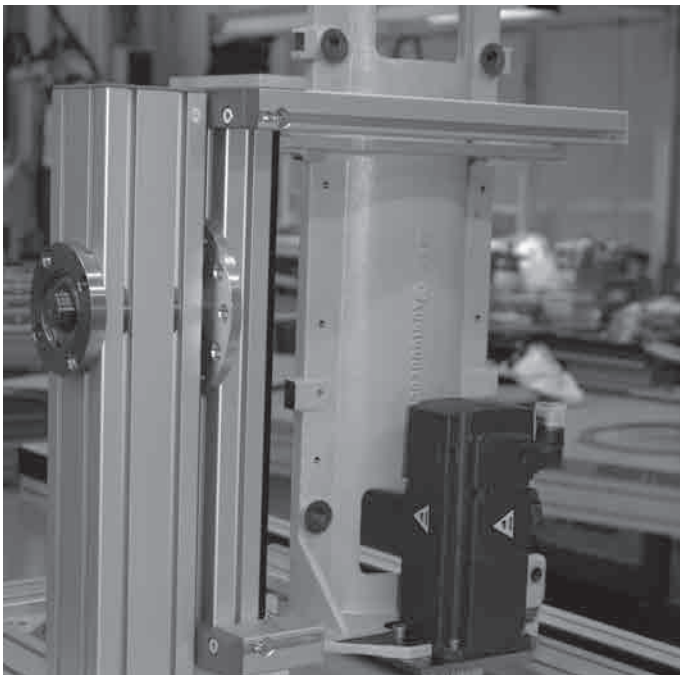


ASSEMBLY DEVICES

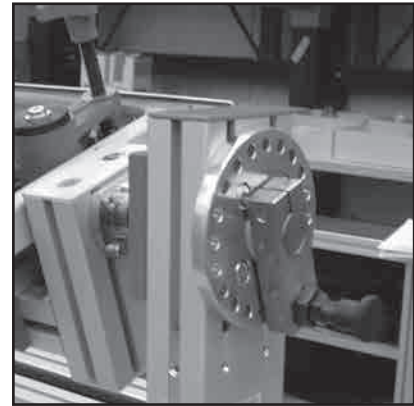
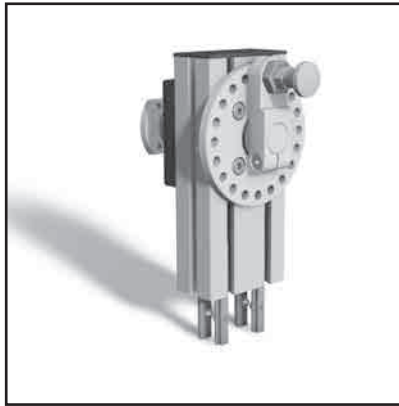
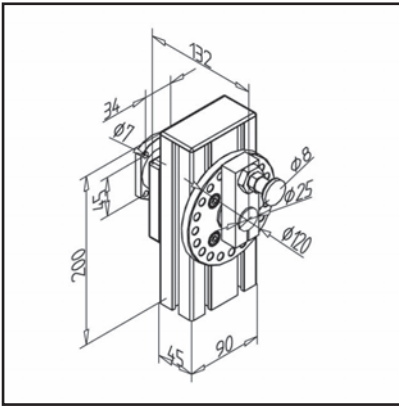
In the development of assembly devices it is important to not only reduce set-up times but also to increase reusability, i.e. flexibility. In combination with the Minitec profile system, adaptability to different workpieces is always guaranteed with minimal changeover effort and time.



TURNING DEVICE 45 X 90

Part no.

32.2011/0



TECHN. DATA / ITEMS SUPPLIED

- Fmax. 1500 N
- Mmax. 150 Nm
- Screening 18°
- Indexing bolt with lock
- Bearing over 2 sliding bushings
- Weight = 3.320 kg/piece

APPLICATIONS

- Reproducibly accurate positioning of components for assembly purposes
- Remote controlled pneumatic locking on request

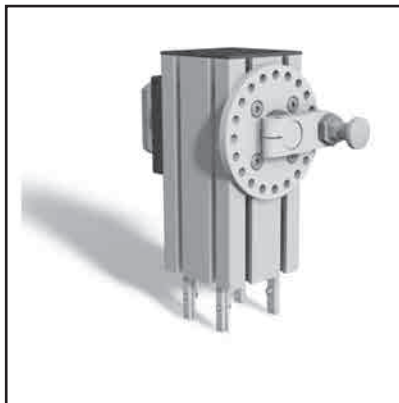
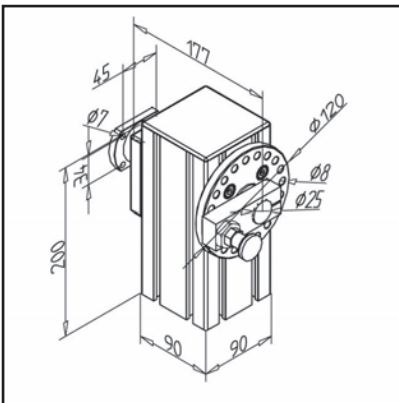
ASSEMBLY

- Fastening with clamping strip as profile extension or profile connector
- Clearance and turning position adjustable using clamp connection

TURNING DEVICE 90X90

Part no.

32.2010/0



TECHN. DATA / ITEMS SUPPLIED

- Fmax. 1500 N
- Mmax. 150 Nm
- Screening 18°
- Indexing bolt with lock
- Bearing over 2 sliding bushings
- 4 T-slot bars for installation on profile construction
- Weight = 4.374 kg/piece

APPLICATIONS

- Reproducibly accurate positioning of components for assembly purposes
- Remote controlled pneumatic locking on request

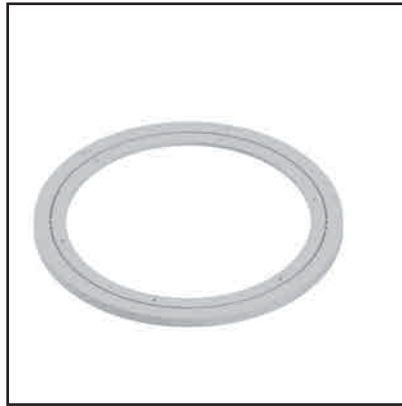
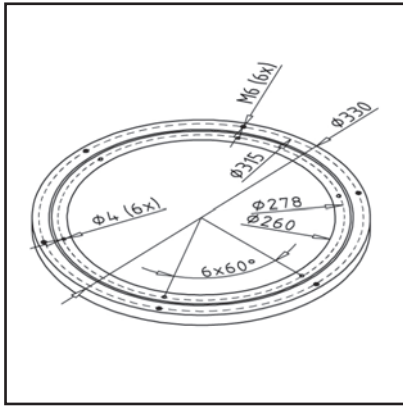
ASSEMBLY

- Fastening with clamping strip as profile extension or profile connector
- Clearance and turning position adjustable using clamp connection

SLEWING RING 330 / 260 / 14 MM

Part no.

32.2005/1

**TECHN. DATA / ITEMS SUPPLIED**

- Aluminium, Pressure die-casting, blasted
- Turntable with steel balls
- Axial load up to 300 kg
- ESD-compatible
- Ø 330 x 13.5 mm
- Low maintenance
- Circular aluminum blanks upon request
- Weight = 0.580 kg/piece

APPLICATIONS

- Used in the industry, in furniture display construction, simple turning device for mounting devices for horizontal use

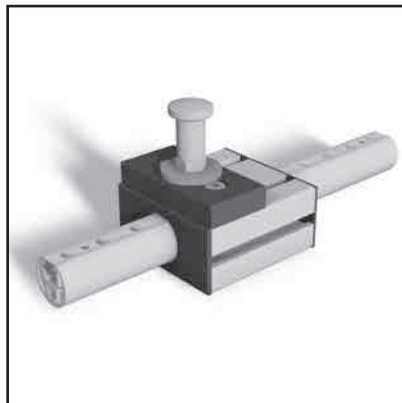
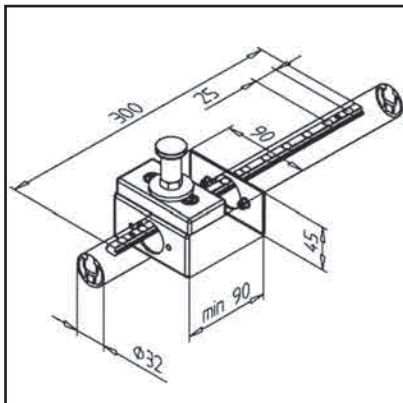
ASSEMBLY

- Screw through the holes $D = 4$ mm onto the profile frame or the table plate
- Screw turntable or similar onto the outer ring

LOCKING BOLT ADJUSTMENT F

Part no.

29.0852/0

**TECHN. DATA / ITEMS SUPPLIED**

- Locking bolt with rest position
- Drilled clamping strip for detent with step 25 mm, length 300 mm
- End caps
- Connecting plate for receiving the locking bolt
- Profile 45 x 90S machined **part no. 29.0857/0** and handle profile 32 **part no. 20.1088/0** not included in delivery scope
- Weight = 0.460 kg/piece

APPLICATIONS

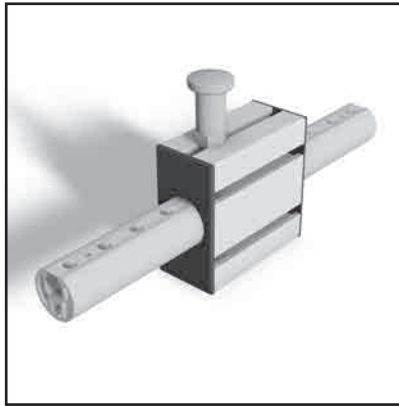
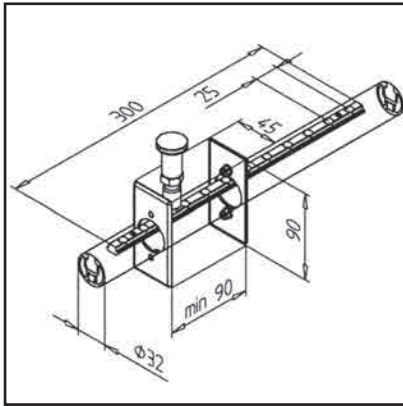
- for height-adjustable tables, conveyors etc.
- for lock in place adjustment of lateral guides
- for adjustable devices and clampings

ASSEMBLY

- fasten perforated t-slot bar onto handle profile 32
- Insert the locking bolts in the connection plate and profile 45 x 90 S
- **please indicate length of handle profile 32 (min. 300 mm) and profile 45x90S (min. 90 mm)!**

LOCKING BOLT ADJUSTMENT H

Part no. 29.0851/0



TECHN. DATA / ITEMS SUPPLIED

- Locking bolt with rest position
- Drilled clamping strip for detent with step 25 mm, length 300 mm
- End caps
- Profile 45 x 90S machined **part no. 29.0858/0** and handle profile 32 **part no. 20.1088/0** not included in delivery scope
- Weight = 0.241 kg/piece

APPLICATIONS

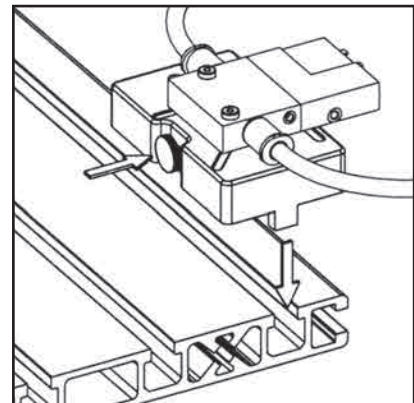
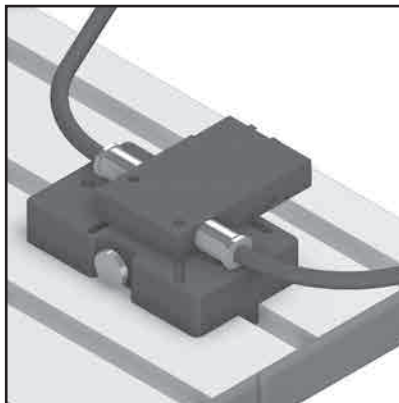
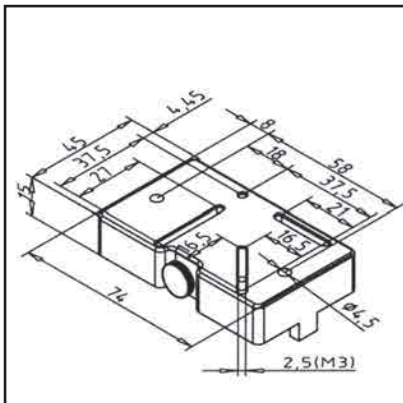
- for height-adjustable tables, conveyors etc.
- for lock in place adjustment of lateral guides
- for adjustable devices and clampings

ASSEMBLY

- fasten perforated t-slot bar onto handle profile 32
- Screw in the locking bolts in profile 45 x 90 S
- **please indicate length of handle profile 32 (min. 300 mm) and profile 45x90S (min. 90 mm)!**

UNIVERSAL CLAMPING SOCKET

Part no. P2.0060/0



TECHN. DATA / ITEMS SUPPLIED

- Housing PA 6 GF
- Actuator made of steel
- Weight = 0.037 kg/piece

APPLICATIONS

- For assembly of pneumatic switches for learning and training purposes
- To fasten diverse pneumatic switches
- Mounting of valves or similar from various manufacturers

ASSEMBLY

- Simple pneumatic accessories fastened with M3 screws (not in scope of delivery) onto the clamping socket
- By pressing the button, the clamping socket can be fit into the slot
- When released, an automatic locking takes place