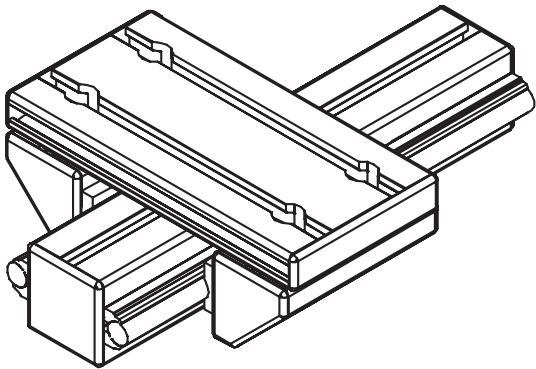
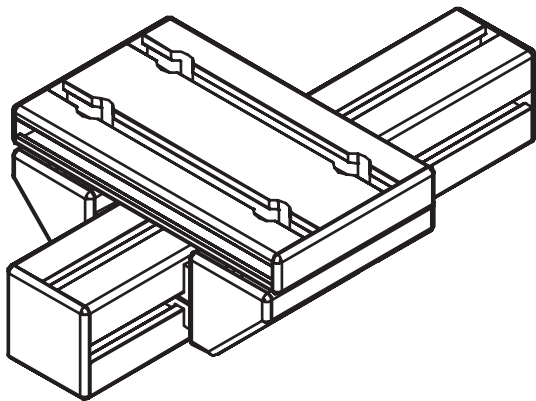
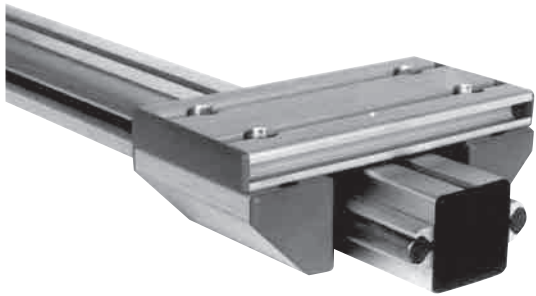
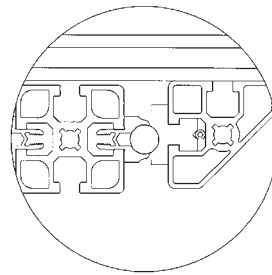


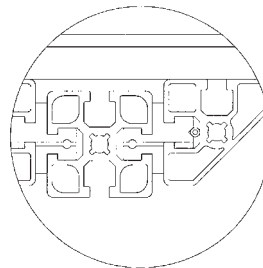
SLIDING GUIDES



The sliding guides LN / LG were created for applications that do not place high demands on guidance accuracy, but in which extreme operating conditions prevail. Especially for wet operation, high dust or lack of lubrication, these guides are suitable. The carriages of the series LN / LG are built on the same modular principle as the linear series LR.

**Series LN**

Guide the carriages in profile groove or profile surface. This series is characterized by a small installation space.

**Series LG**

Guiding of carriages on ground and hardened shafts h6 made of material Cf53. Particularly advantageous is the use of guides LG in wet operation in conjunction with our stainless shafts.

Precision

$\pm 0,15$ mm (Series LG) and $\pm 0,20$ mm (Series LN). The guides can be adjusted without play by providing the lateral guide rails.

Permitted loads

50 N/cm carrying sliding strip (= carriage length)

Sliding friction

0,05 on steel shaft (LG series) 0.1 on anodized profile surface (LN series)

This storage can be operated without lubrication. An increased slip-stick effect has to be considered.

Traversing

1 m/sec (max.)

Continuous temperature

50°C (max.)

Short-term peak load

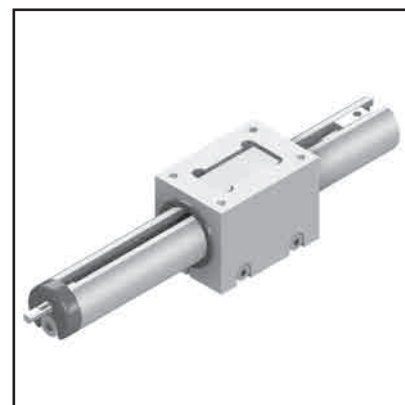
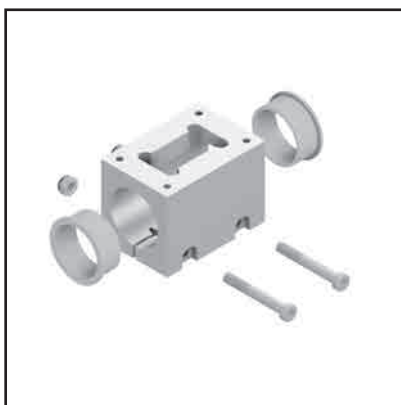
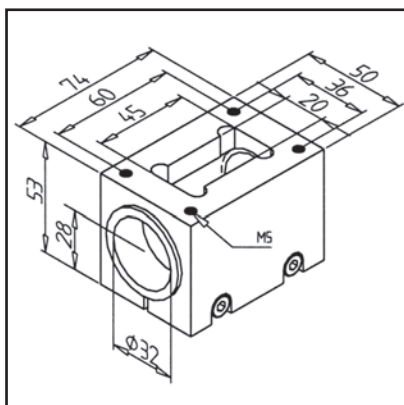
70°C (max.)

The sliding strip is resistant to organic acids, alkalis, aqueous solutions, inorganic salts, organic acids and alcohols. Against hydrocarbons and halogenated hydrocarbons, the material is only partially resistant.

SLIDE G 32

Part no.

28.0355/0

**TECHN. DATA / ITEMS SUPPLIED**

- Aluminium, anodized E6/EV1
- With low-friction sliding bearing
- Without adjusting units
- Weight = 0.314 kg/piece

APPLICATIONS

- To adjust light barriers, reflectors, lateral guides etc.

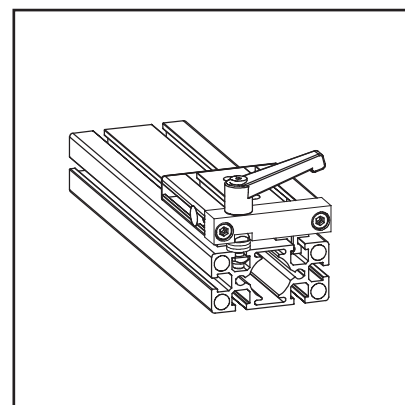
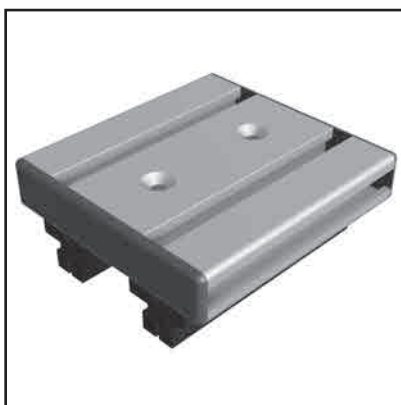
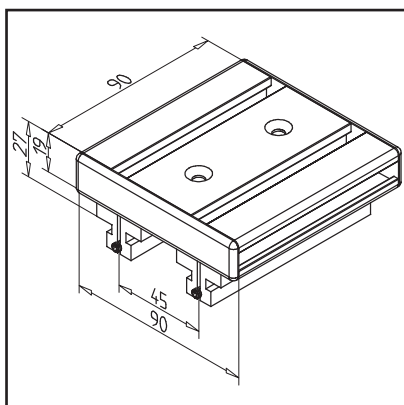
ASSEMBLY

- Insert slide of mini-adjustment unit into sliding carriage and screw in the spindle
- Adjust with tensioning screws M6
- Fasten the spindle bearing to the handle profile 32

SLIDE LWN-S

Part no.

28.0170/0

**TECHN. DATA / ITEMS SUPPLIED**

- Aluminium, anodized E6/EV1
- Fully mounted carriage
- 2 slide rails LN-S
- End caps
- Clearance adjusted
- load capacity up to 450 N
- Weight = 0.260 kg/piece

APPLICATIONS

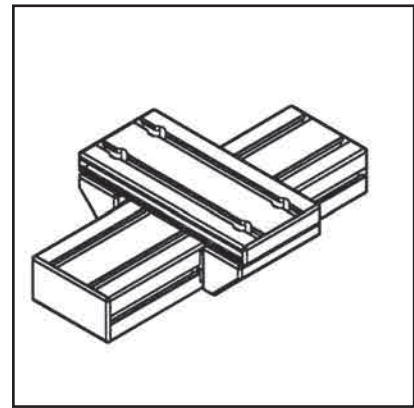
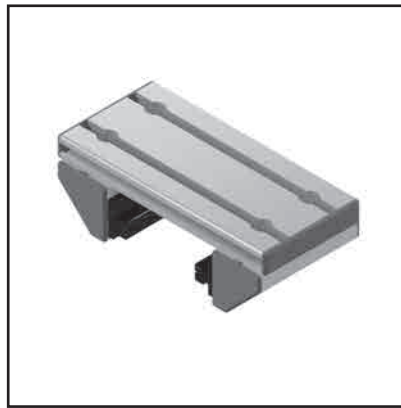
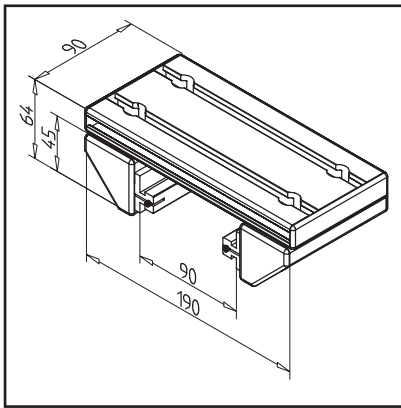
- Simple linear guides
- Slide units

OTHER VERSIONS

- With slide clamping device at top **part no. 28.0170/1**
- Slide plate made of profile 32 x 180
- Different slide lengths

SLIDE LWN 45/45° - 90

Part no. 28.0197/0



TECHN. DATA / ITEMS SUPPLIED

- Aluminium, anodized E6/EV1
- Fully mounted carriage
- 2 slide rails LN
- End caps
- Clearance adjusted
- load capacity up to 450 N
- Weight = 0.783 kg/piece

APPLICATIONS

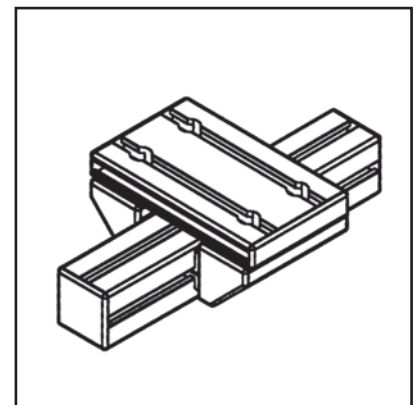
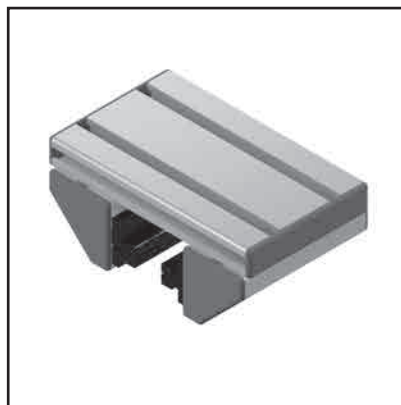
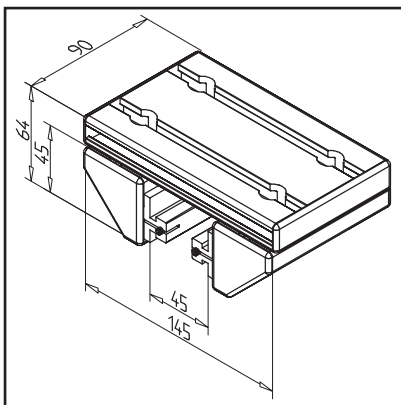
- Simple linear guides
- Slide units

OTHER VERSIONS

- With slide clamping device at top **part no. 28.0197/1**
- Slide plate made of profile 32 x 180
- Different slide lengths

SLIDE LWN 45/45° - 45

Part no. 28.0196/0



TECHN. DATA / ITEMS SUPPLIED

- Aluminium, anodized E6/EV1
- Fully mounted carriage
- 2 slide rails LN
- End caps
- Clearance adjusted
- load capacity up to 450 N
- Weight = 0.699 kg/piece

APPLICATIONS

- Simple linear guides
- Slide units

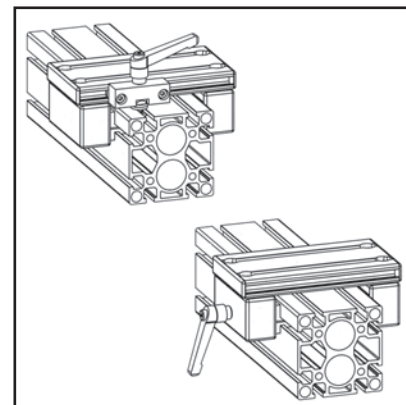
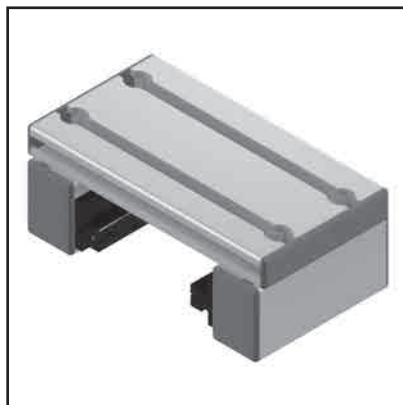
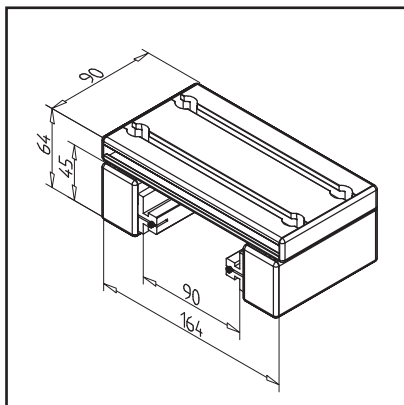
OTHER VERSIONS

- With slide clamping device at top **part no. 28.0196/1**
- Slide plate made of profile 32 x 180
- Different slide lengths

SLIDE LWN 32 X 45 - 90

Part no.

28.0193/0

**TECHN. DATA / ITEMS SUPPLIED**

- Aluminium, anodized E6/EV1
- Fully mounted carriage
- 2 slide rails LN
- End caps
- Clearance adjusted
- load capacity up to 450 N
- Weight = 0.762 kg/piece

APPLICATIONS

- Simple linear guides
- Slide units

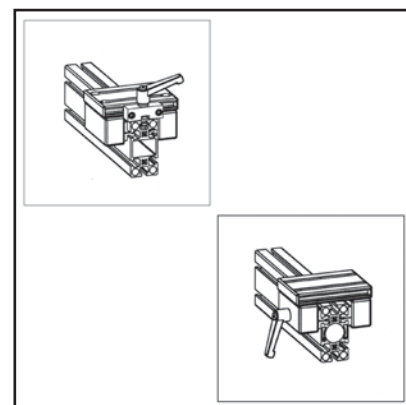
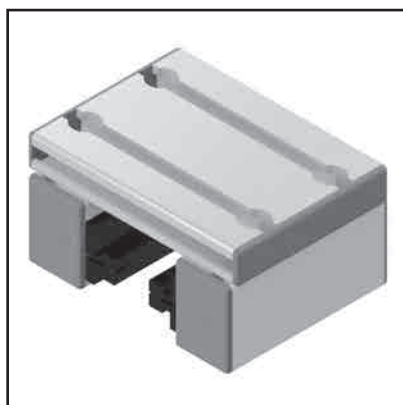
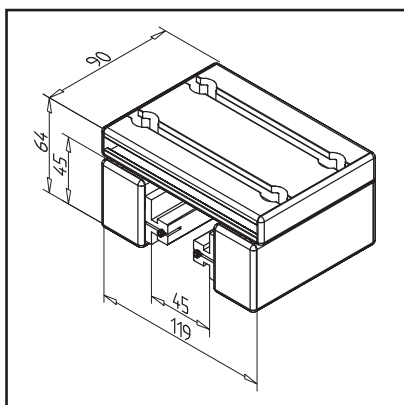
OTHER VERSIONS

- With slide clamping device at top **part no. 28.0193/1**
- With slide clamping device lateral **part no. 28.0193/2**
- Slide plate made of profile 32 x 180
- Different slide lengths

SLIDE LWN 32 X 45 - 45

Part no.

28.0192/0

**TECHN. DATA / ITEMS SUPPLIED**

- Aluminium, anodized E6/EV1
- Fully mounted carriage
- 2 slide rails LN
- End caps
- Clearance adjusted
- load capacity up to 450 N
- Weight = 0.678 kg/piece

APPLICATIONS

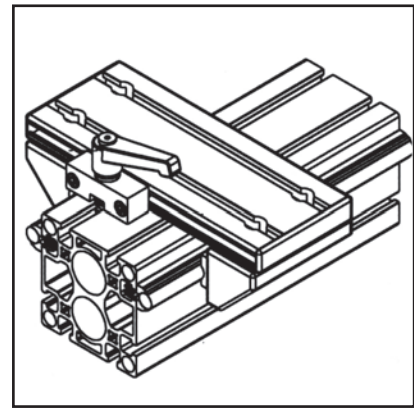
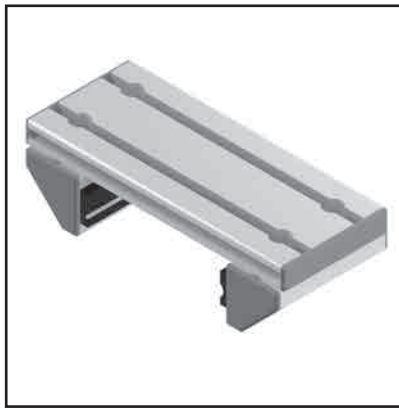
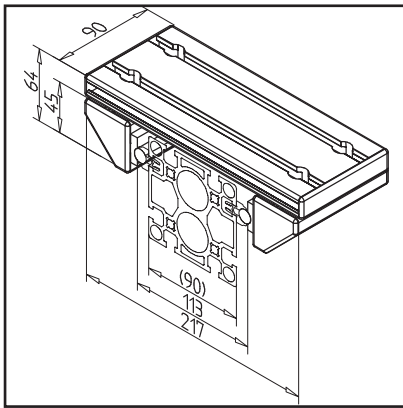
- Simple linear guides
- Slide units

OTHER VERSIONS

- With slide clamping device at top **part no. 28.0192/1**
- With slide clamping device lateral **part no. 28.0192/2**
- Slide plate made of profile 32 x 180
- Different slide lengths

SLIDE LWG 45/45°-90

Part no. 28.0137/0



TECHN. DATA / ITEMS SUPPLIED

- Aluminium, anodized E6/EV1
- Fully mounted carriage
- 2 slide rails LG
- End caps
- Clearance adjusted
- load capacity up to 450 N
- Weight = 0.831 kg/piece

APPLICATIONS

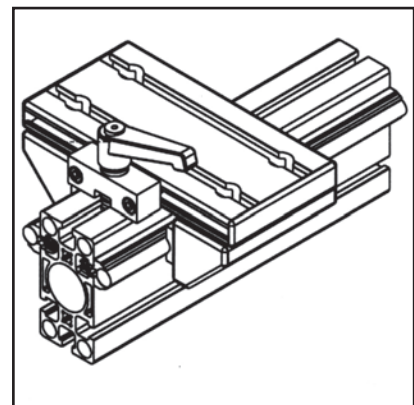
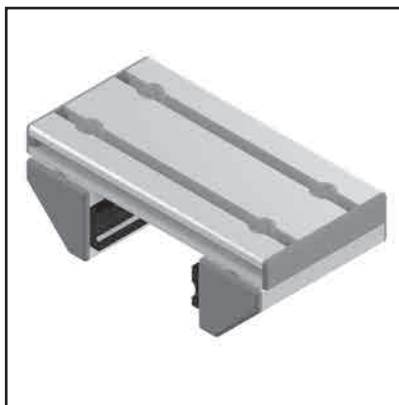
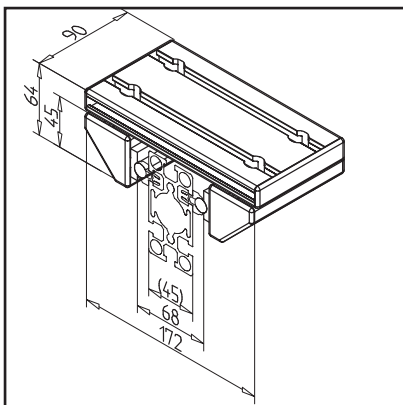
- Simple linear guides
- Slide units
- For rail 90 with shafts Ø 12 mm

OTHER VERSIONS

- With slide clamping at top **part no. 28.0137/1**
- Slide plate made of profile 32 x 180
- Different slide lengths

SLIDE LWG 45/45° - 45

Part no. 28.0136/0



TECHN. DATA / ITEMS SUPPLIED

- Aluminium, anodized E6/EV1
- Fully mounted carriage
- 2 slide rails LG
- End caps
- Clearance adjusted
- load capacity up to 450 N
- Weight = 0.741 kg/piece

APPLICATIONS

- Simple linear guides
- Slide units
- For rail 45 with shafts Ø 12 mm

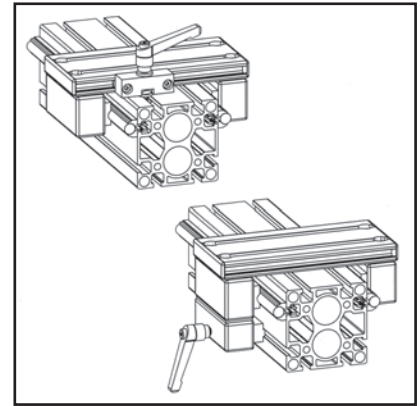
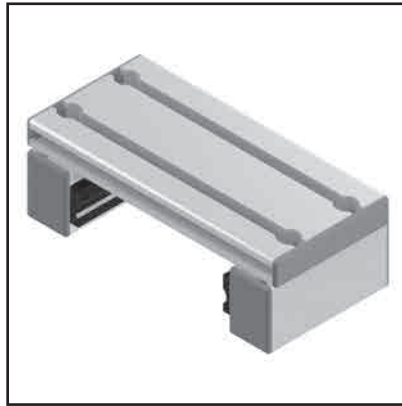
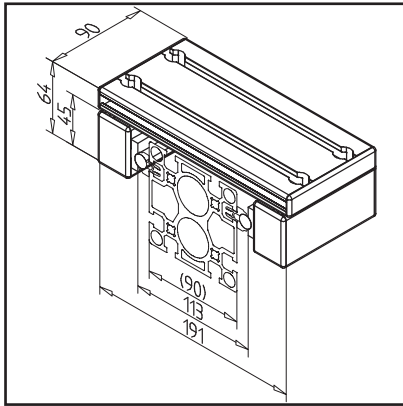
OTHER VERSIONS

- With slide clamping at top **part no. 28.0136/1**
- Slide plate made of profile 32 x 180
- Different slide lengths

SLIDE LWG 32 X 45 - 90

Part no.

28.0133/0

**TECHN. DATA / ITEMS SUPPLIED**

- Aluminium, anodized E6/EV1
- Fully mounted carriage
- 2 slide rails LG
- End caps
- Clearance adjusted
- load capacity up to 450 N
- Weight = 0.810 kg/piece

APPLICATIONS

- Simple linear guides
- Slide units
- For rail 90 with shafts \varnothing 12 mm

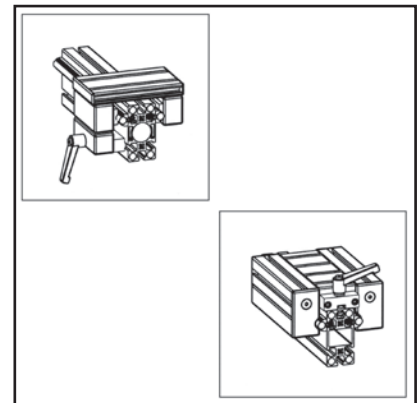
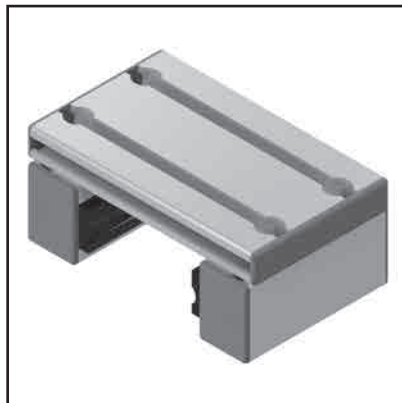
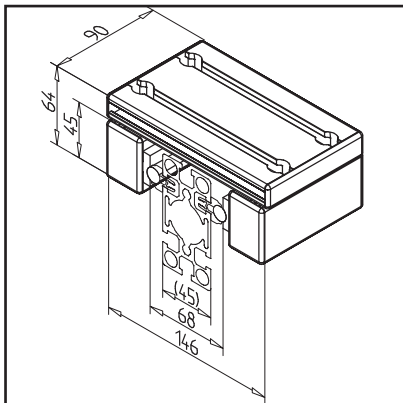
OTHER VERSIONS

- With slide clamping at top **part no. 28.0133/1**
- With slide clamping lateral **part no. 28.0133/2**
- Slide plate made of profile 32 x 180
- Different slide lengths

SLIDE LWG 32 X 45 - 45

Part no.

28.0132/0

**TECHN. DATA / ITEMS SUPPLIED**

- Aluminium, anodized E6/EV1
- Fully mounted carriage
- 2 slide rails LG
- End caps
- Clearance adjusted
- load capacity up to 450 N
- Weight = 0.726 kg/piece

APPLICATIONS

- Simple linear guides
- Slide units
- For rail 45 with shafts \varnothing 12 mm

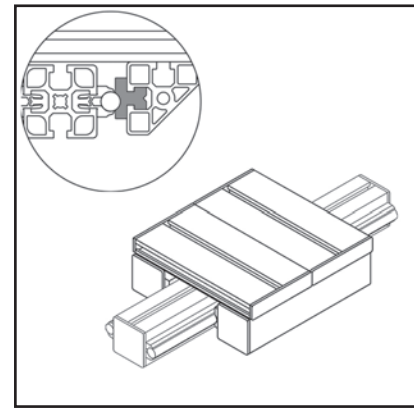
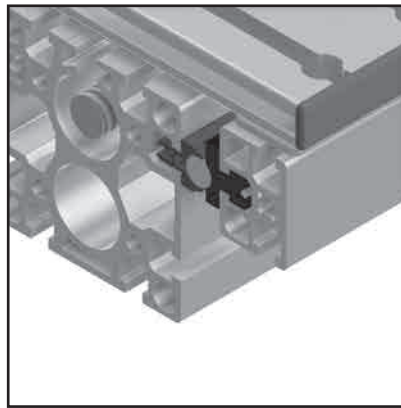
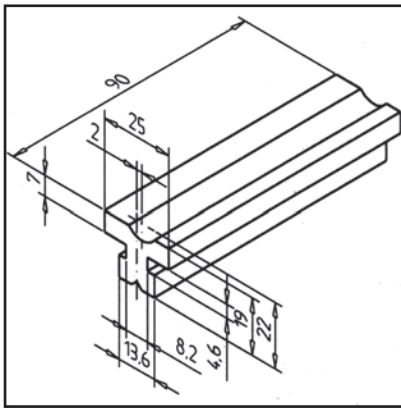
OTHER VERSIONS

- With slide clamping at top **part no. 28.0132/1**
- With slide clamping lateral **part no. 28.0132/2**
- Slide plate made of profile 32 x 180
- Different slide lengths

SLIDE RAIL LG

Part no.

22.1094/0



TECHN. DATA / ITEMS SUPPLIED

- PE-UHMW, black
- Fastening kit
- Allowed panel pressure: max. 10 N/mm²
- Weight = 0.029 kg/piece

APPLICATIONS

- Slide guides LG

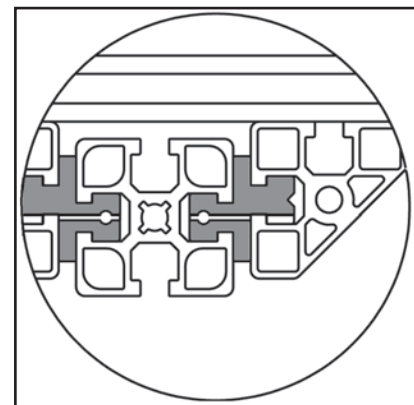
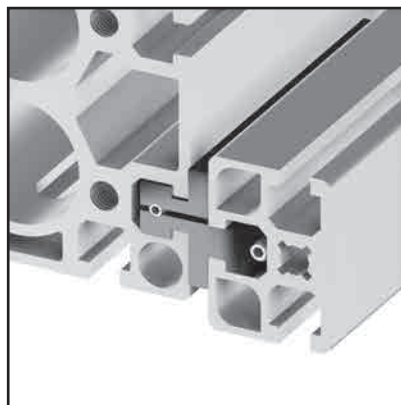
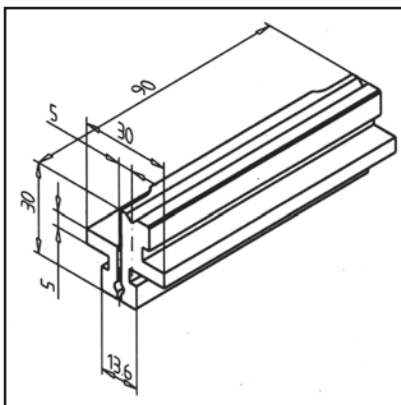
ASSEMBLY

- Insert into groove of lateral guide profile
- Secure with fastening material

SLIDE RAIL LN

Part no.

22.1095/0



TECHN. DATA / ITEMS SUPPLIED

- PE-UHMW, black
- Fastening kit
- Allowed panel pressure: max. 10 N/mm²
- Weight = 0.030 kg/piece

APPLICATIONS

- Slide guides LN
- Adjusting units
- Heavy sliding doors
- Drawers

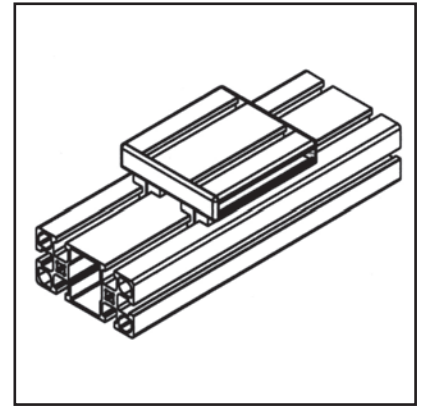
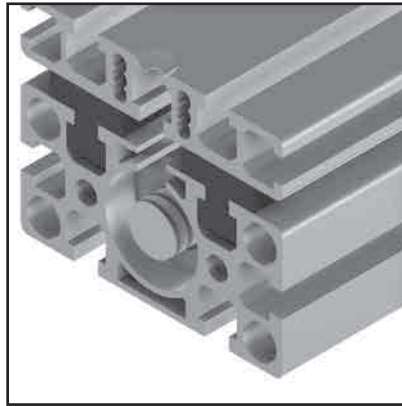
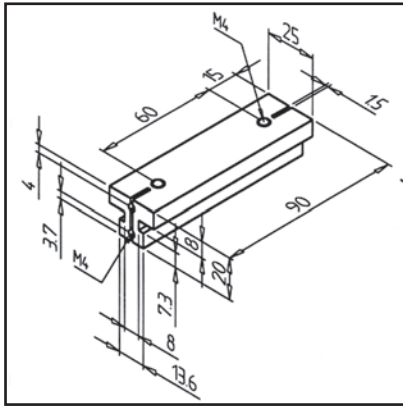
ASSEMBLY

- Connect with slide plate
- Insert into grooves of the guide profile
- Adjust without clearance, use fastening kit

SLIDE RAIL LN-S

Part no.

22.1096/0

**TECHN. DATA / ITEMS SUPPLIED**

- PE-UHMW, black
- Fastening kit
- Allowed panel pressure: max. 10 N/mm²
- Weight = 0.036 kg/piece

APPLICATIONS

- Slide guides LN-S
- Adjusting units
- Slide units
- Workpiece carrier

ASSEMBLY

- Insert into grooves of the guide profile
- Adjust sliding rails without play
- Connect with slide plate