

PROFILE SECTIONS - PROFILE SERIES 30

PROFILE SERIES 30



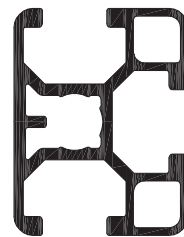
23 x 16
20.1115/0



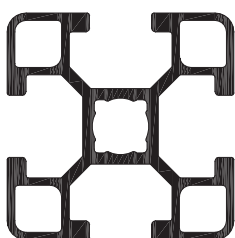
16 x 30
20.0983/0



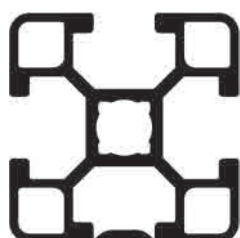
23 x 23
20.1116/0



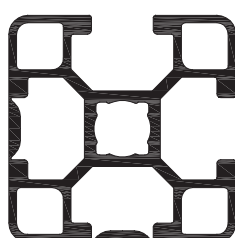
23 x 30
20.1117/0



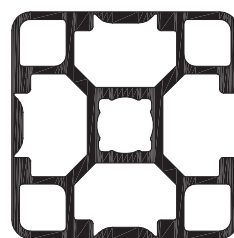
30 x 30
20.1068/0



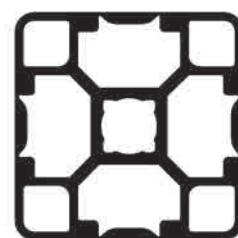
30 x 30 1G
20.1139/0



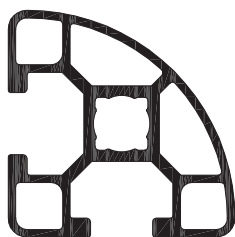
30 x 30 2G
20.1124/0



30 x 30 3G
20.1085/0



30 x 30 G
20.1141/0



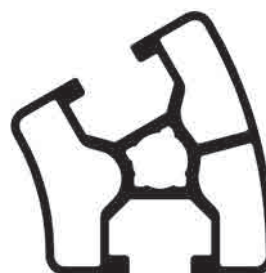
30 R 90°
20.1125/0



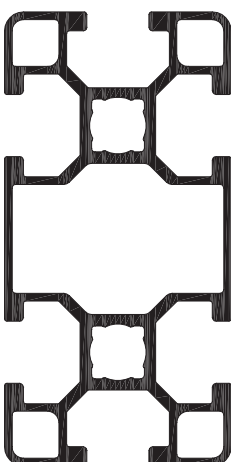
30 R 60°
20.1136/0



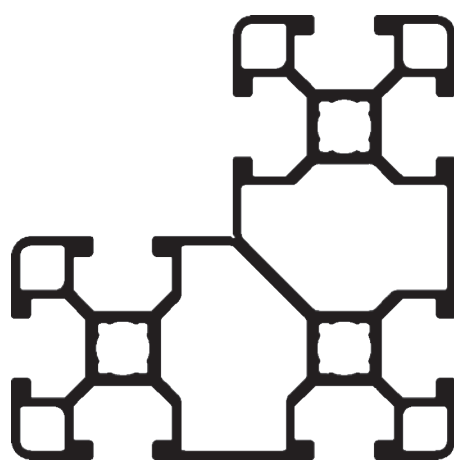
30 R 45°
20.1135/0



30 R 30°
20.1134/0



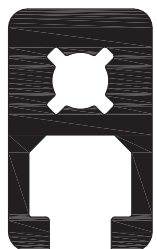
30 x 60
20.0994/0



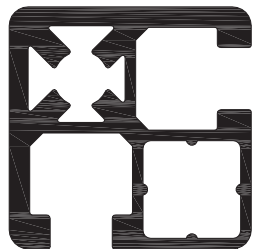
60 x 60 x 30
20.0982/0

PROFILE SECTIONS - PROFILE SERIES 45

PROFILE SERIES 45



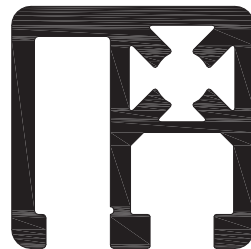
19 x 32
20.1000/0



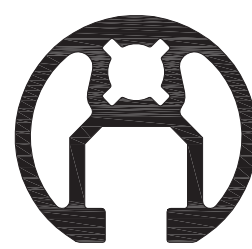
32 x 32 UL
20.1064/0



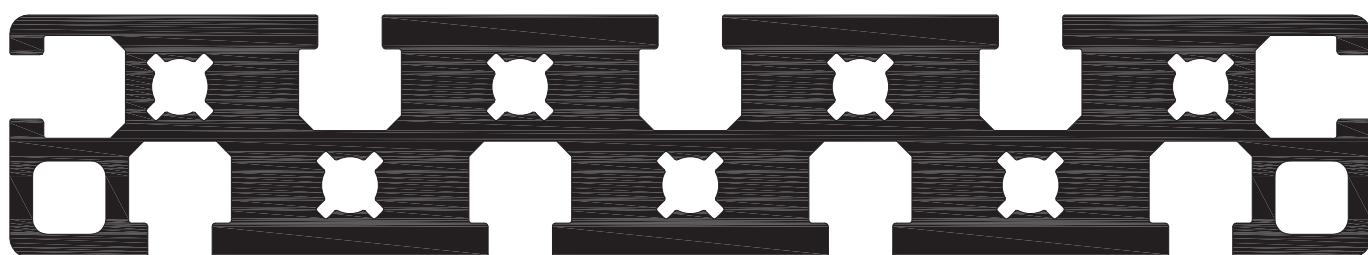
32 x 32 F
20.1054/0



Clamping profile
32 x 32
20.1070/0



Handle profile 32
20.1088/0



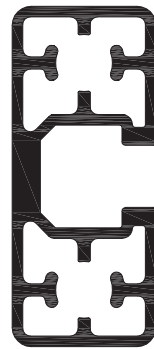
32 x 180
20.1016/0



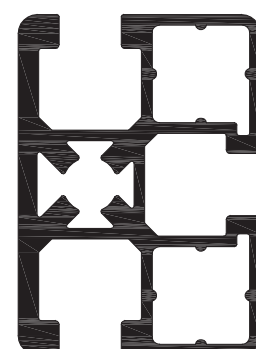
19 x 19 S
20.1073/0



19 x 45
20.1001/0



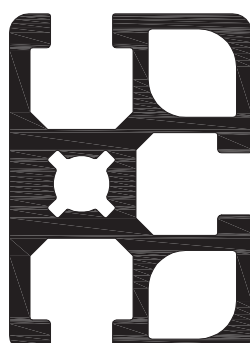
45 x 19
20.0993/0



45 x 32 UL
20.1065/0



Clamp profile 45 x 45 F
20.1147/0



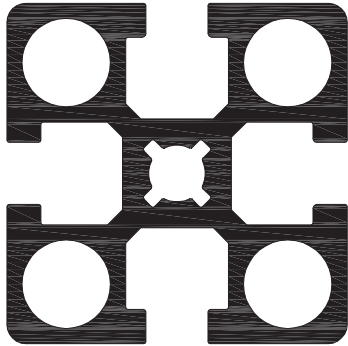
45 x 32 F
20.105a5/0



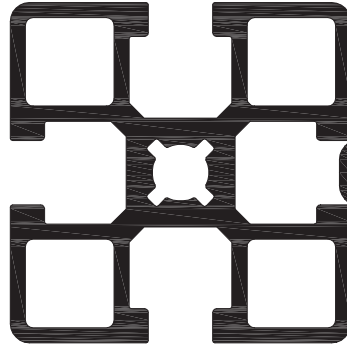
Clamping profile
45 x 32
20.1053/0

PROFILE SECTIONS - PROFILE SERIES 45

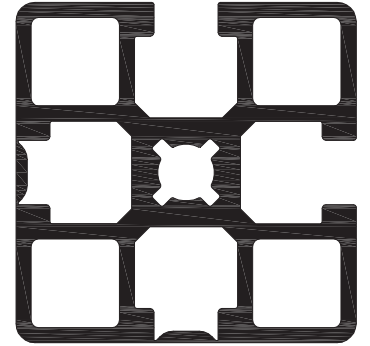
PROFILE SERIES 45



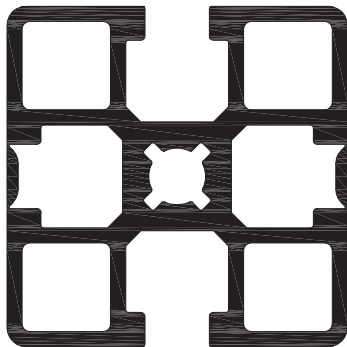
45 X 45
20.1006/0



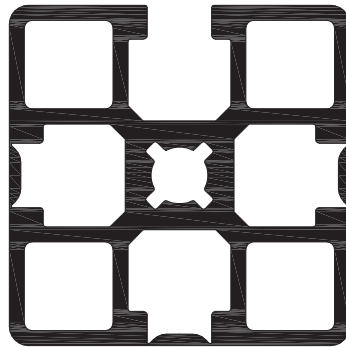
45 x 45 1G
20.1126/0



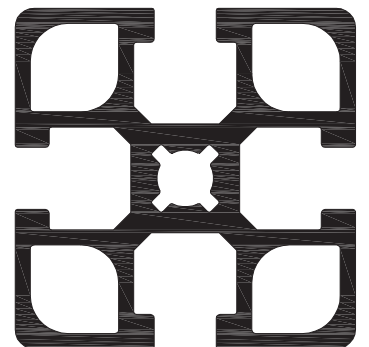
45 x 45 2G
20.1072/0



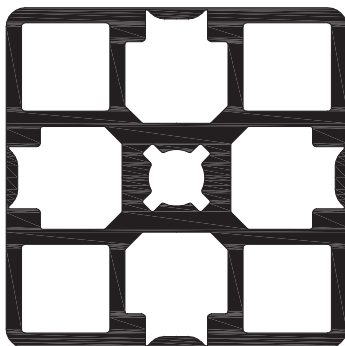
45 x 45 2GG
20.1099/0



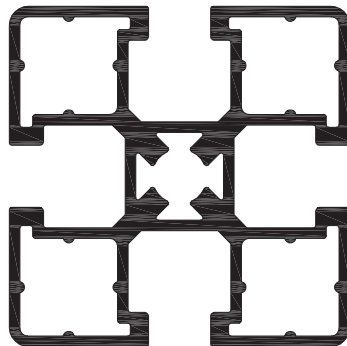
45 x 45 3G
20.1048/0



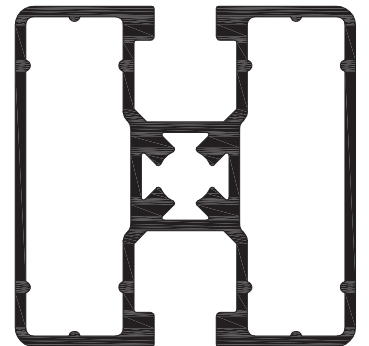
45 x 45 F
20.1033/0



45 x 45 G
20.1028/0



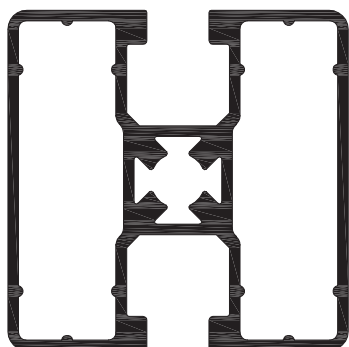
45 x 45 UL
20.1063/0



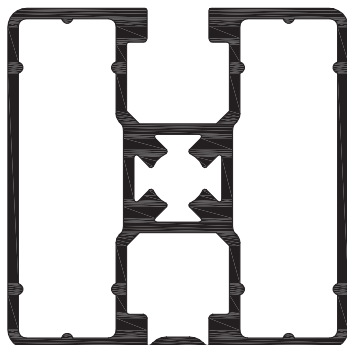
45 x 45 UL 2GG
20.1122/0

PROFILE SECTIONS - PROFILE SERIES 45

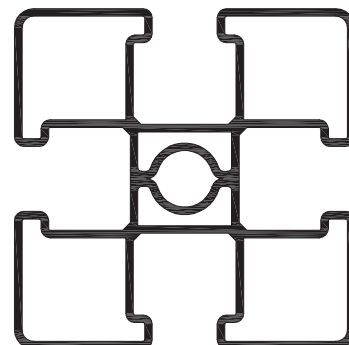
PROFILE SERIES 45



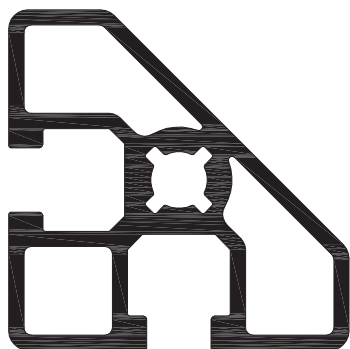
45 x 45 UL 2GG
20.1122/0



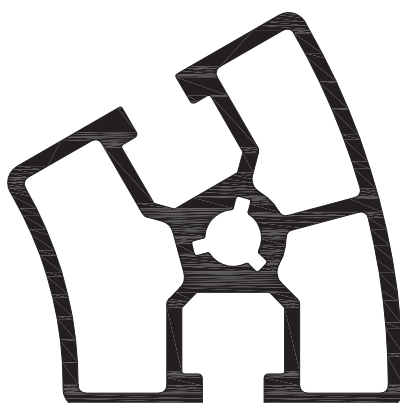
45 x 45 UL 3G
20.1123/0



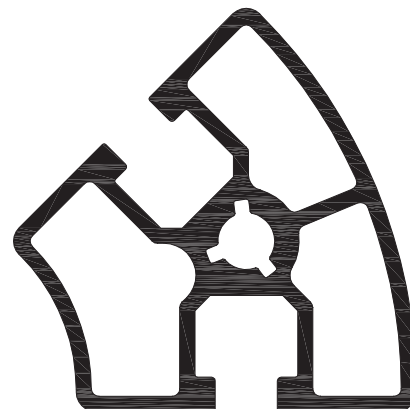
45 x 45 VA
20.2000/0



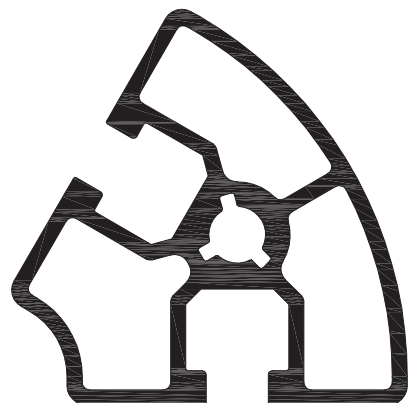
45 / 45°
20.1029/0



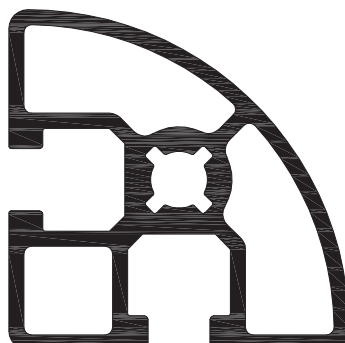
45 R 30°
20.1094/0



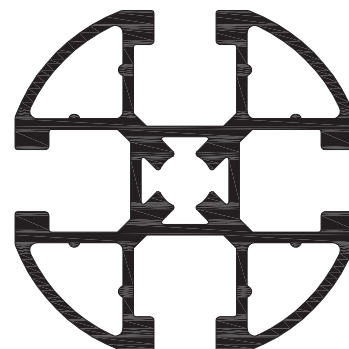
45 R 45°
20.1095/0



45 R 60°
20.1096/0



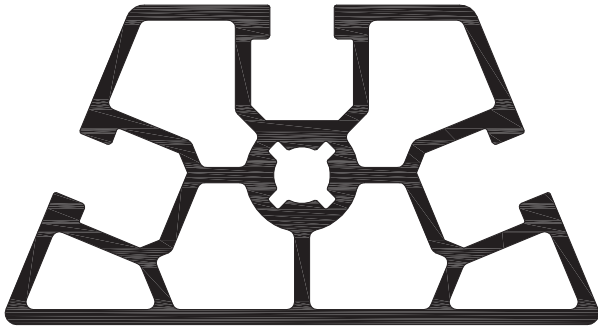
45 R 90°
20.1069/0



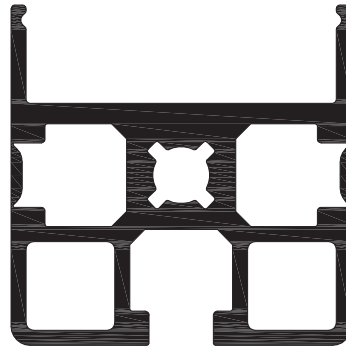
45 R4
20.1120/0

PROFILE SECTIONS - PROFILE SERIES 45

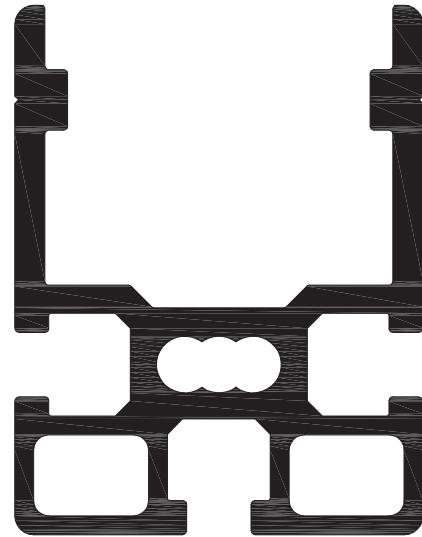
PROFILE SERIES 45



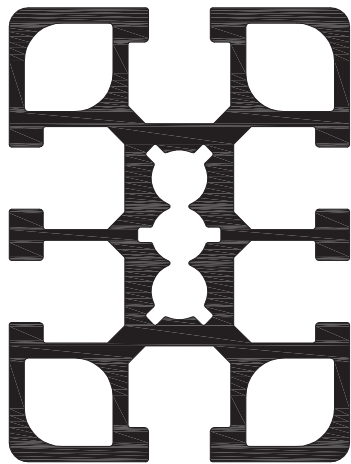
45 / 22,5°
20.1030/0



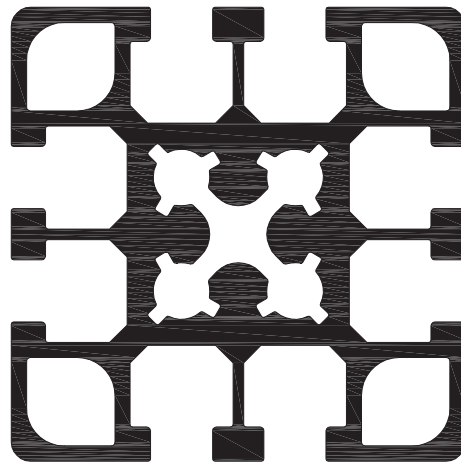
45 x 45 R
20.1046/0



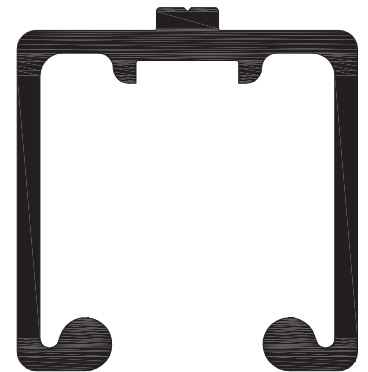
Profile height adjustment
20.1143/0



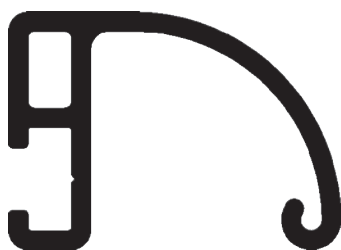
45 x 60 F
20.1023/0



60 x 60 F
20.1049/0



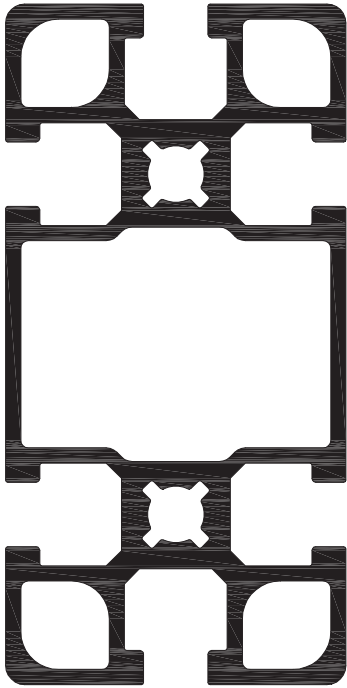
Guide rail profile
20.1038/0



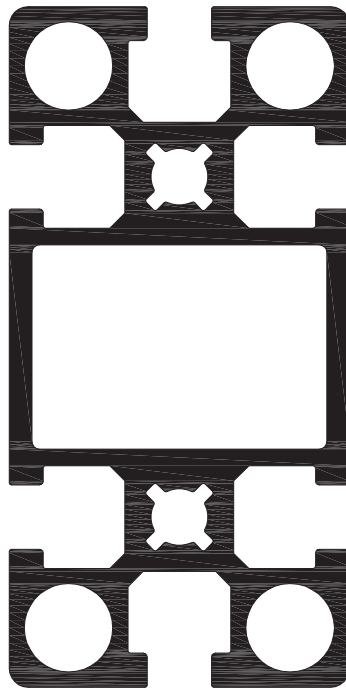
Handle profile
20.1045/0

PROFILE SECTIONS - PROFILE SERIES 45

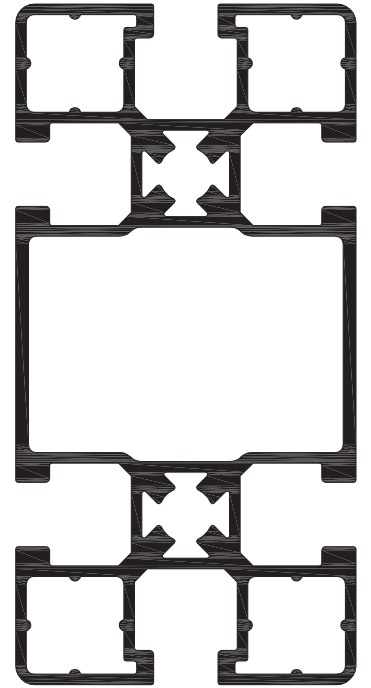
PROFILE SERIES 45



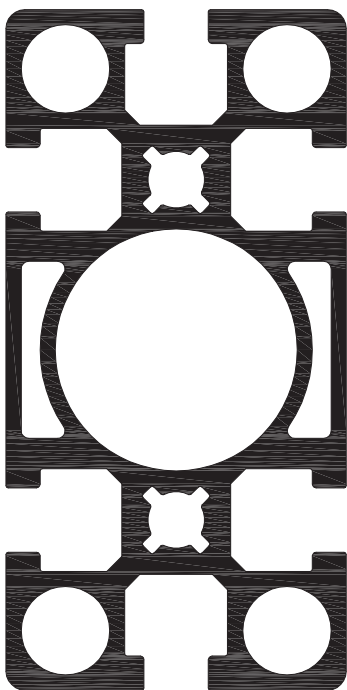
45 x 90 F
20.1032/0



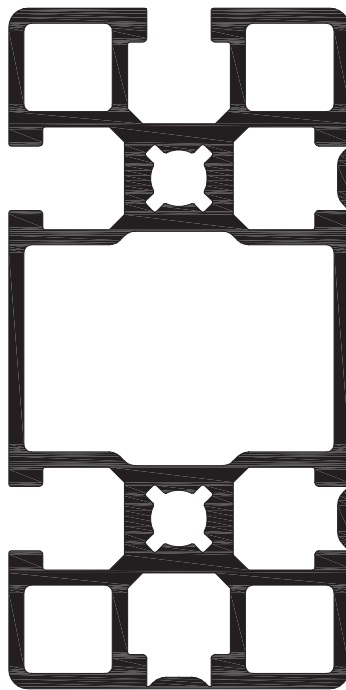
45 x 90
20.1009/0



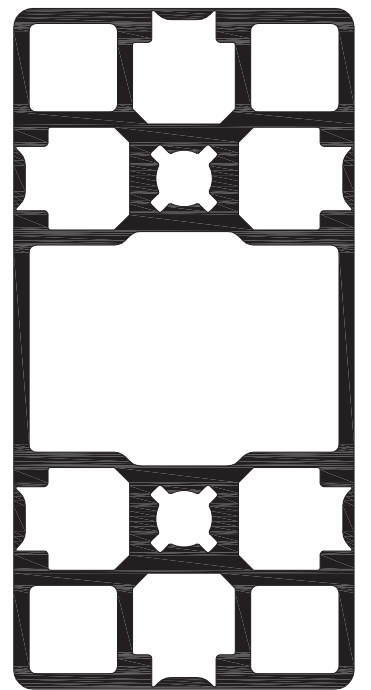
45 x 90 UL
20.1067/0



45 x 90 S
20.1017/0



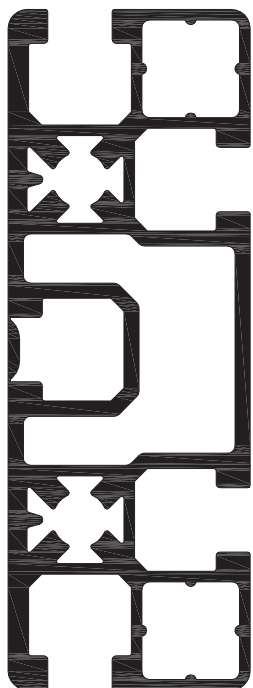
45 x 90 2G
20.1081/0



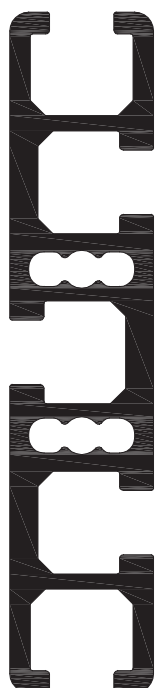
45 x 90 G
20.1015/0

PROFILE SECTIONS - PROFILE SERIES 45

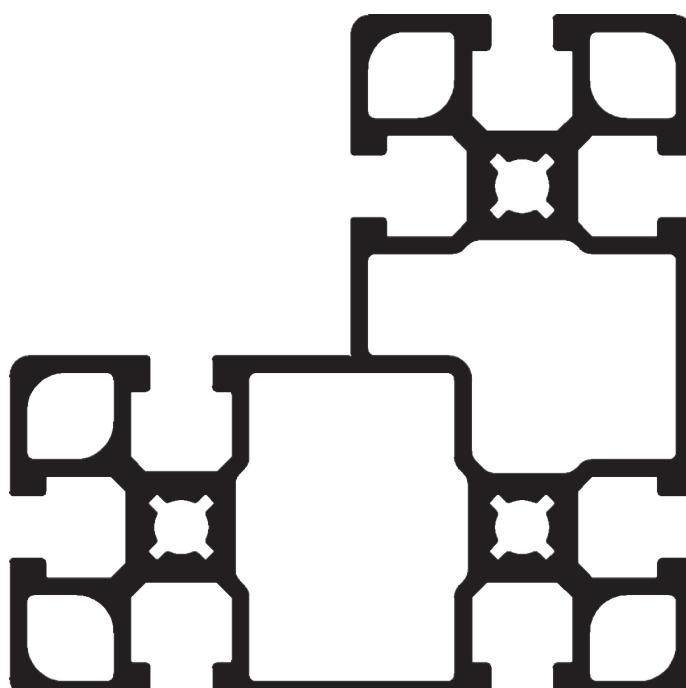
PROFILE SERIES 45



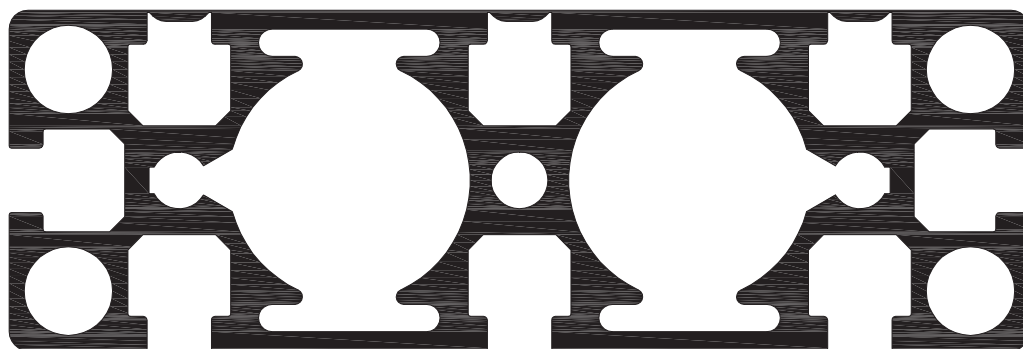
90 x 32 UL
20.1066/0



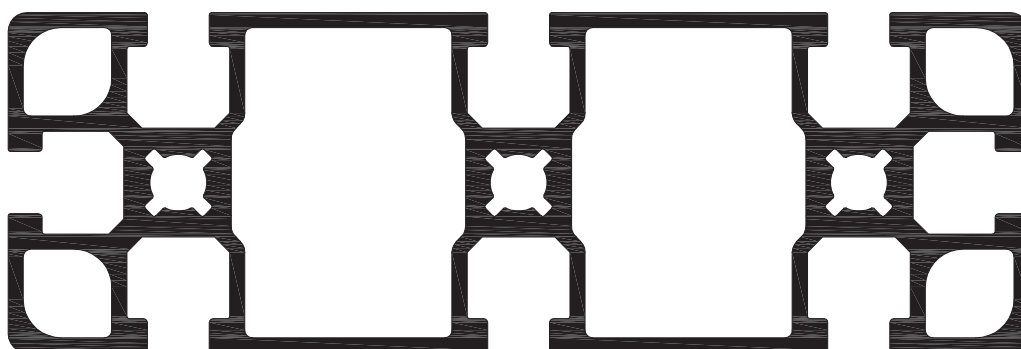
19 x 90
20.0995/0



90 x 90 x 45
20.0984/0



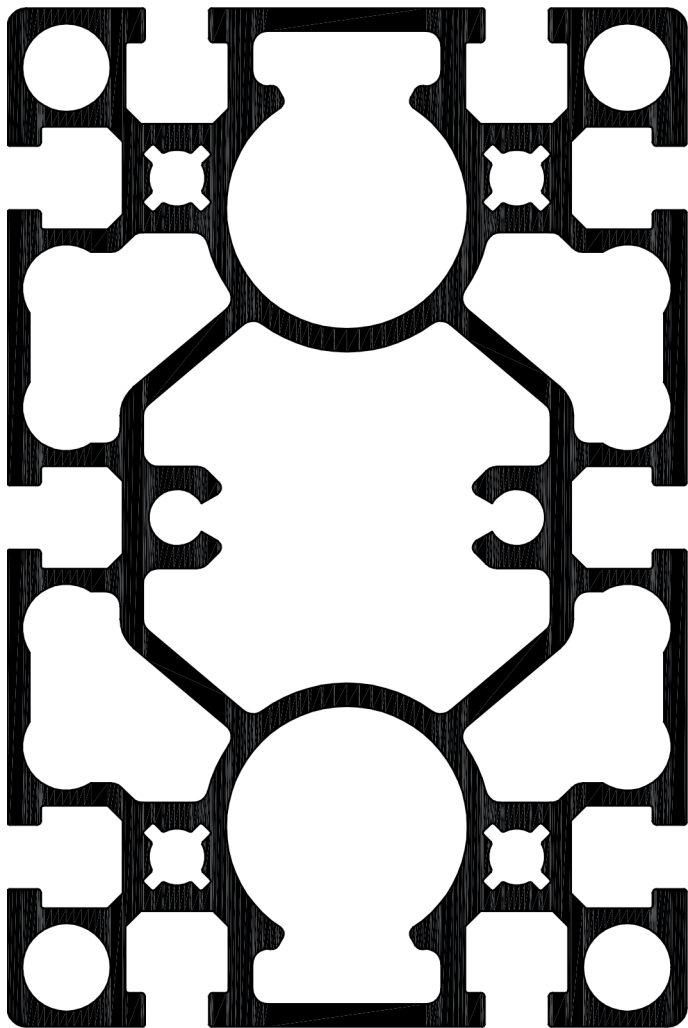
45 x 135 1G
20.1078/0



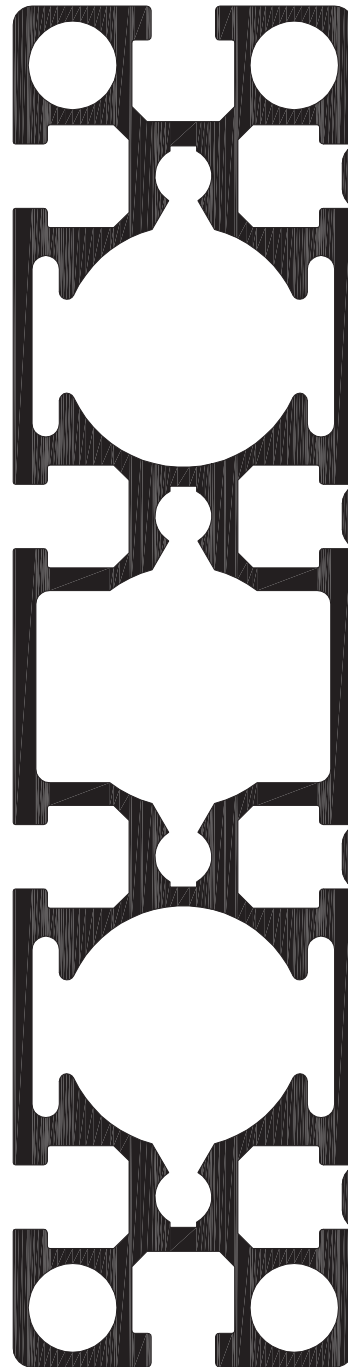
45 x 135 F
20.1087/0

PROFILE SECTIONS - PROFILE SERIES 45

PROFILE SERIES 45



90 x 135
20.1148/0



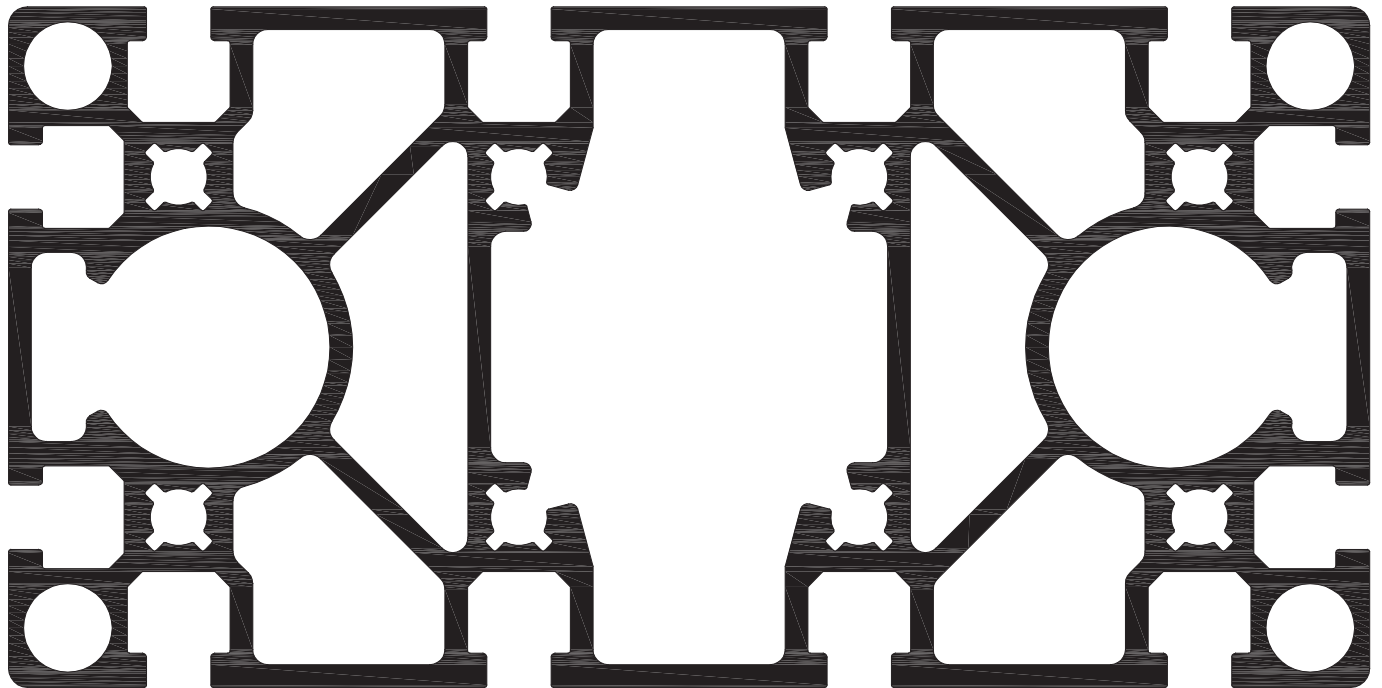
45 x 180 1G
20.1079/0



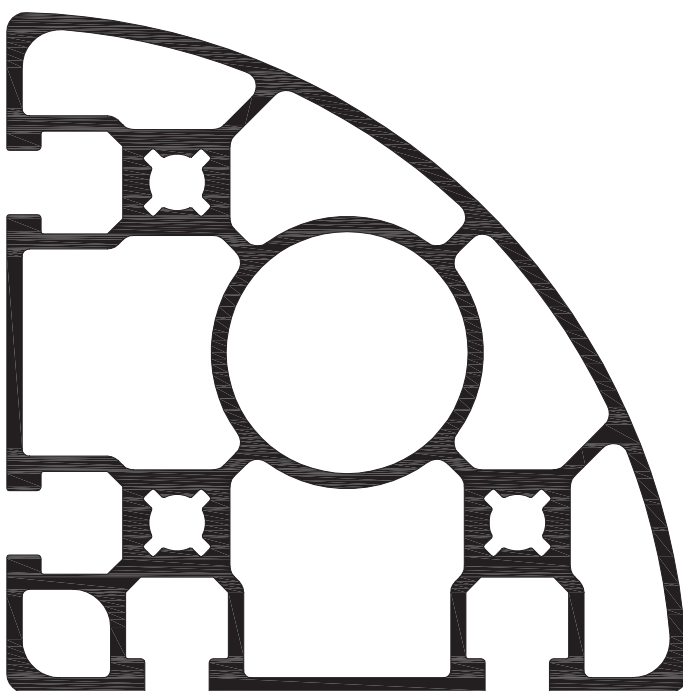
270 x 19
20.1077/0

PROFILE SECTIONS - PROFILE SERIES 45

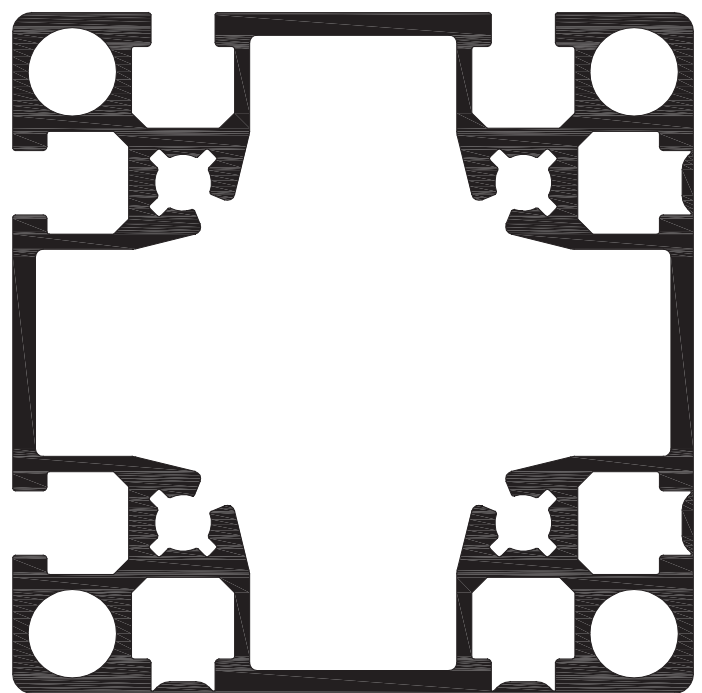
PROFILE SERIES 45



90 x 180
20.1013/0



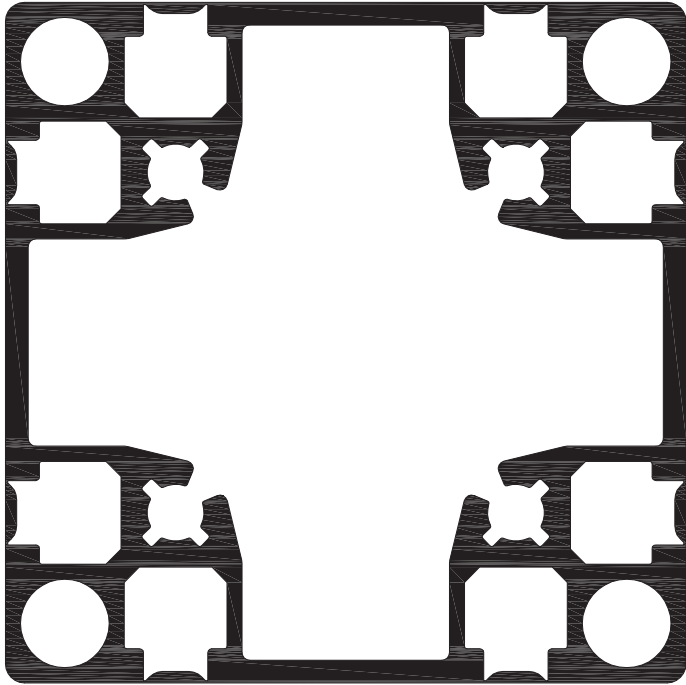
90 R 90°
20.1091/0



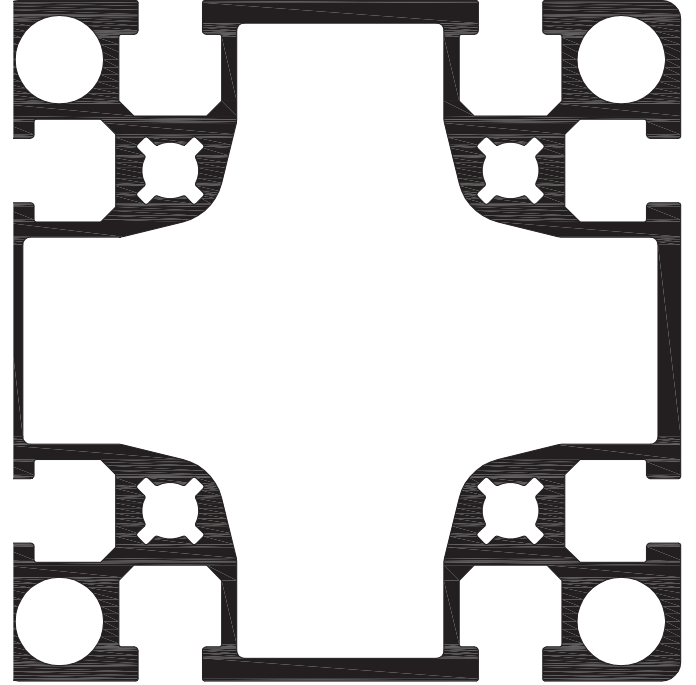
90 x 90 2G
20.1044/0

PROFILE SECTIONS - PROFILE SERIES 45

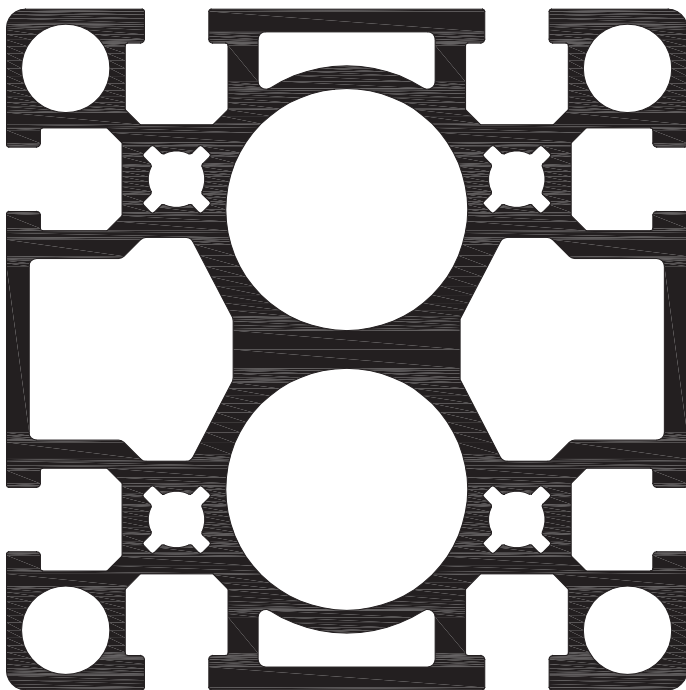
PROFILE SERIES 45



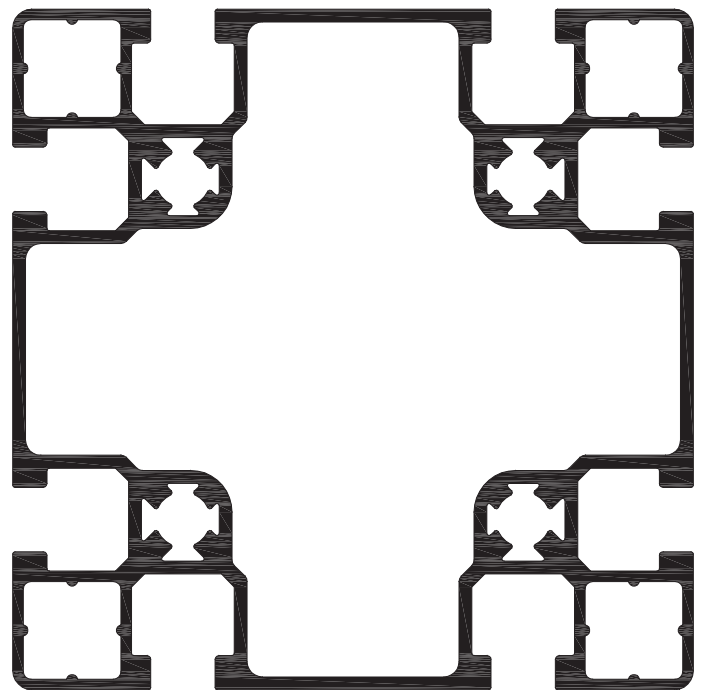
90 x 90 G
20.1082/0



90 x 90 L
20.1010/0



90 x 90 S
20.1019/0

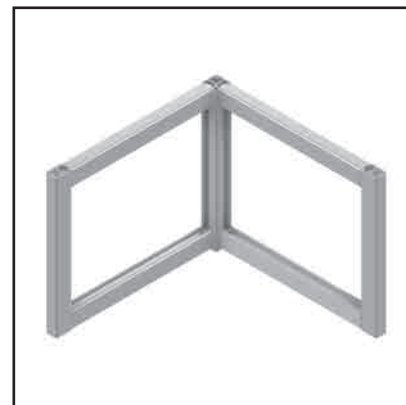
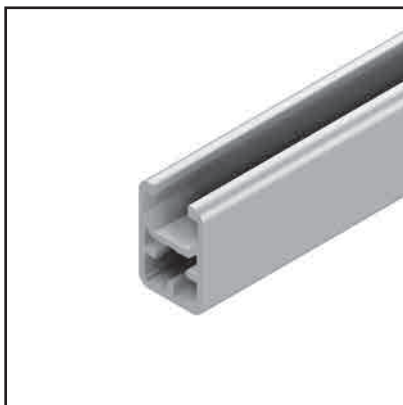
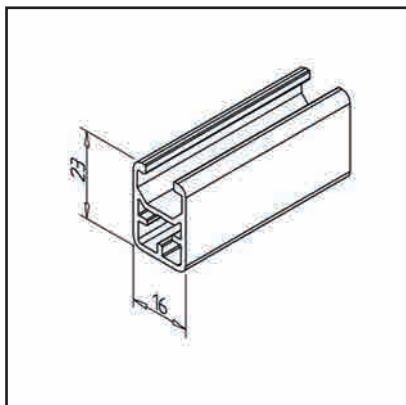


90 x 90 UL
20.0999/0

PROFILE 23 X 16

Part no.

20.1115/0

**TECHN. DATA / ITEMS SUPPLIED**

- Aluminium, extruded, anodized E6/EV1
- $I_x = 0.602 \text{ cm}^4$
- $I_y = 0.442 \text{ cm}^4$
- $w_x = 0.472 \text{ cm}^3$
- $w_y = 0.552 \text{ cm}^3$
- Weight = 0.341 kg/m
- Bar length = 6 m
- Packing unit = 72 m

APPLICATIONS

- Light constructions with protective hoods, covers, etc.

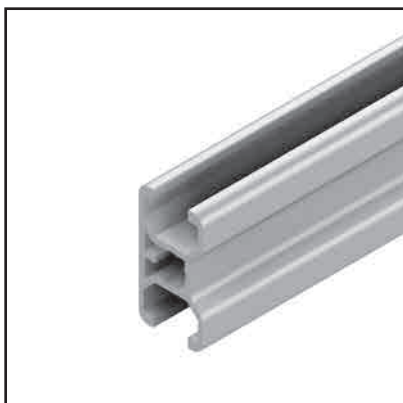
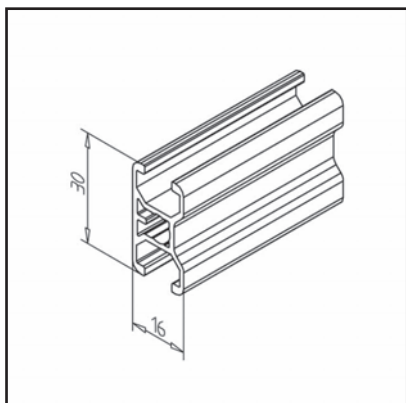
ASSEMBLY

- Power-lock fastener 30 / N 30
- Mitre connector 30
- Screw connection 30
- Angle 16
- Attaching accessories with sliding nut 30 M4 / M5 / M6 / M8

PROFILE 16 X 30

Part no.

20.0983/0

**TECHN. DATA / ITEMS SUPPLIED**

- Aluminium, extruded, anodized E6/EV1
- $I_x = 1.008 \text{ cm}^4$
- $I_y = 0.479 \text{ cm}^4$
- $w_x = 0.672 \text{ cm}^3$
- $w_y = 0.544 \text{ cm}^3$
- Weight = 0.382 kg/m
- Bar length = 6 m
- Packing unit = 72 m

APPLICATIONS

- Light constructions with protective hoods, covers, etc.

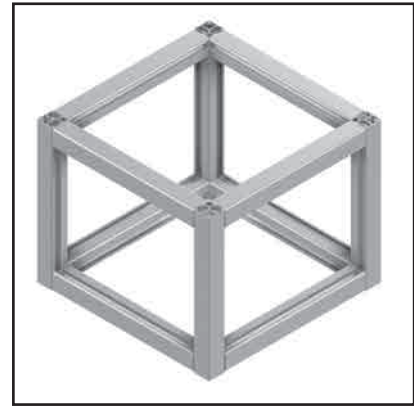
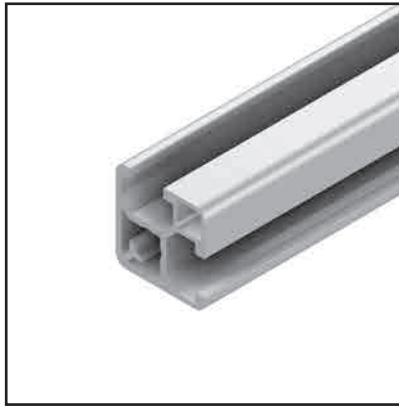
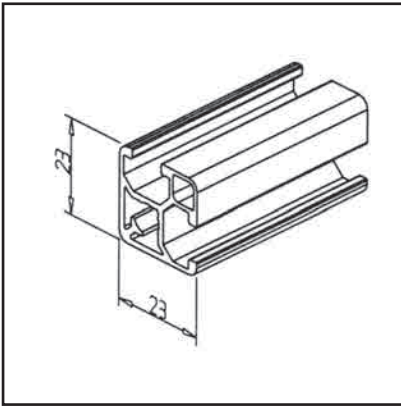
ASSEMBLY

- Power-lock fastener 30 / N 30
- Mitre connector 30
- Screw connection 30
- Angle 16
- Attaching accessories with sliding nut 30 M4 / M5 / M6 / M8

PROFILE 23 X 23

Part no.

20.1116/0



TECHN. DATA / ITEMS SUPPLIED

- Aluminium, extruded, anodized E6/EV1
- $I_x = 0.921 \text{ cm}^4$
- $I_y = 0.921 \text{ cm}^4$
- $w_x = 0.729 \text{ cm}^3$
- $w_y = 0.729 \text{ cm}^3$
- Weight = 0.443 kg/m
- Bar length = 6 m
- Packing unit = 72 m

APPLICATIONS

- Light constructions with protective hoods, covers, etc.

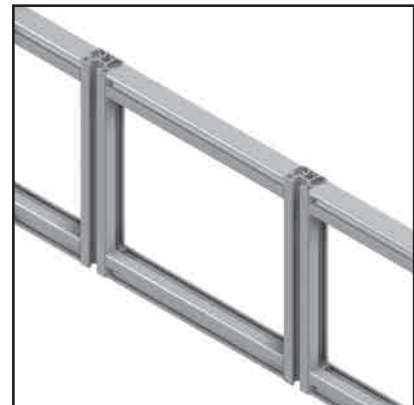
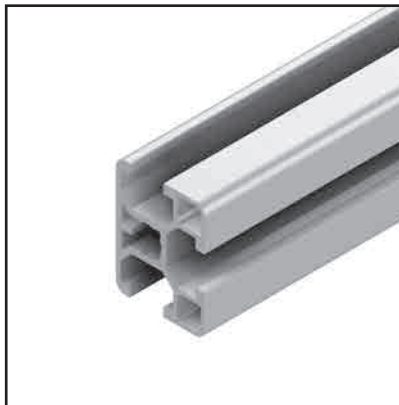
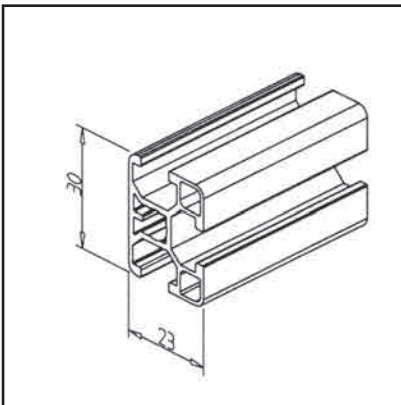
ASSEMBLY

- Power-lock fastener 30 / N 30
- Mitre connector 30
- Screw connection 30
- Angle 16
- Attaching accessories with sliding nut 30 M4 / M5 / M6 / M8

PROFILE 23 X 30

Part no.

20.1117/0



TECHN. DATA / ITEMS SUPPLIED

- Aluminium, extruded, anodized E6/EV1
- $I_x = 1.565 \text{ cm}^4$
- $I_y = 1.187 \text{ cm}^4$
- $w_x = 1.043 \text{ cm}^3$
- $w_y = 0.975 \text{ cm}^3$
- Weight = 0.524 kg/m
- Bar length = 6 m
- Packing unit = 72 m

APPLICATIONS

- Light constructions with protective hoods, covers, etc.

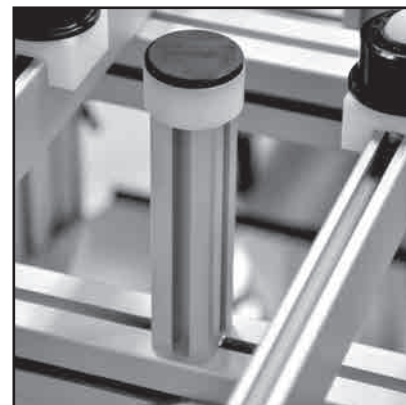
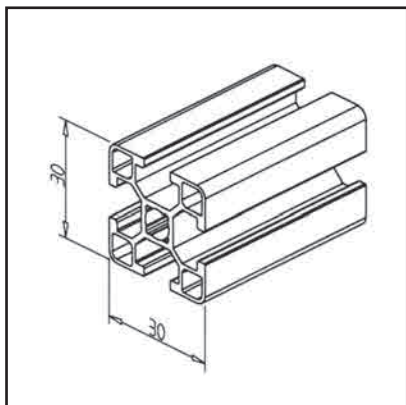
ASSEMBLY

- Power-lock fastener 30 / N 30
- Mitre connector 30
- Screw connection 30
- Angle 16 / 30
- Attaching accessories with sliding nut 30 M4 / M5 / M6 / M8

PROFILE 30 X 30

Part no.

20.1068/0

**TECHN. DATA / ITEMS SUPPLIED**

- Aluminium, extruded, anodized E6/EV1
- $I_x = 2.133 \text{ cm}^4$
- $I_y = 2.133 \text{ cm}^4$
- $w_x = 1.422 \text{ cm}^3$
- $w_y = 1.422 \text{ cm}^3$
- Weight = 0.652 kg/m
- Bar length = 6 m
- Packing unit = 54 m

APPLICATIONS

- Light constructions with protective hoods, covers, etc.

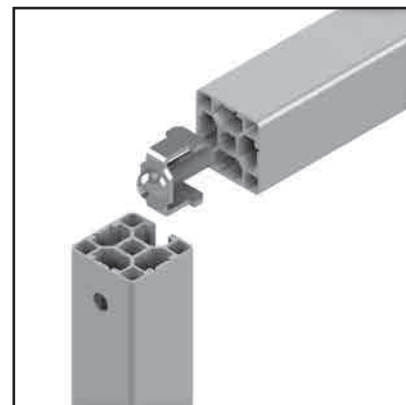
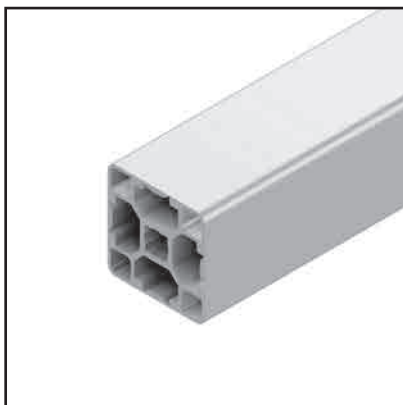
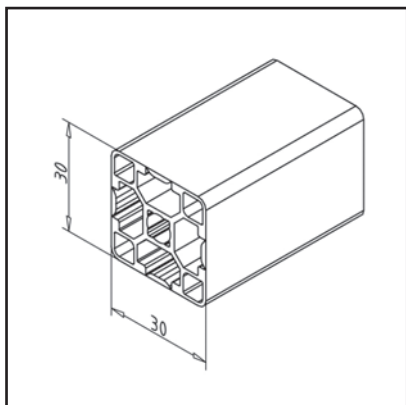
ASSEMBLY

- Power-lock fastener 30 / N 30
- Mitre connector 30
- Screw connection 30
- Angle 16 / 30
- Attaching accessories with sliding nut 30 M4 / M5 / M6 / M8

PROFILE 30 X 30 G

Part no.

20.1141/0

**TECHN. DATA / ITEMS SUPPLIED**

- Aluminium, extruded, anodized E6/EV1
- $I_x = 2.554 \text{ cm}^4$
- $I_y = 2.554 \text{ cm}^4$
- $w_x = 1.702 \text{ cm}^3$
- $w_y = 1.702 \text{ cm}^3$
- Weight = 0.749 kg/m
- Bar length = 6 m
- Packing unit = 54 m

APPLICATIONS

- Light constructions with protective hoods, covers, etc.
- Specifically for high hygiene requirements in the food industry, medical technology, bottling of beverages

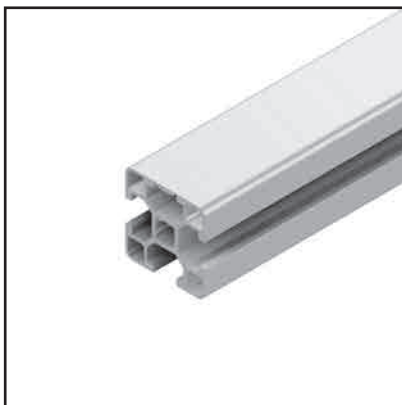
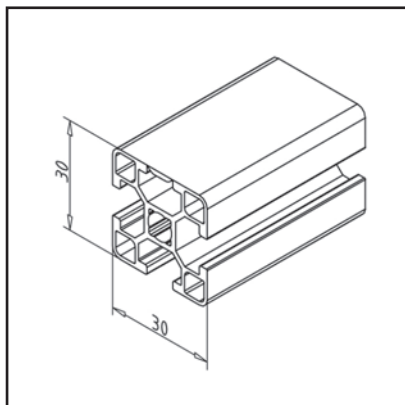
ASSEMBLY

- Power-lock fastener 30 / N 30
- Mitre connector 30
- Screw connection 30
- Angle 16 / 30
- Attaching accessories with sliding nut 30 M4 / M5 / M6 / M8

PROFILE 30 X 30 1G

Part no.

20.1139/0



TECHN. DATA / ITEMS SUPPLIED

- Aluminium, extruded, anodized E6/EV1
- $I_x = 2.311 \text{ cm}^4$
- $I_y = 2.112 \text{ cm}^4$
- $w_x = 1.481 \text{ cm}^3$
- $w_y = 1.408 \text{ cm}^3$
- Weight = 0.670 kg/m
- Bar length = 6 m
- Packing unit = 54 m

APPLICATIONS

- Light constructions with protective hoods, covers, etc.
- Specifically for high hygiene requirements in the food industry, medical technology, bottling of beverages

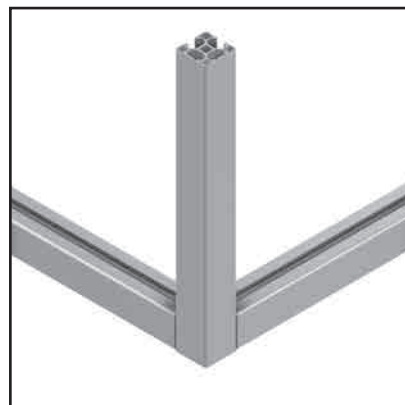
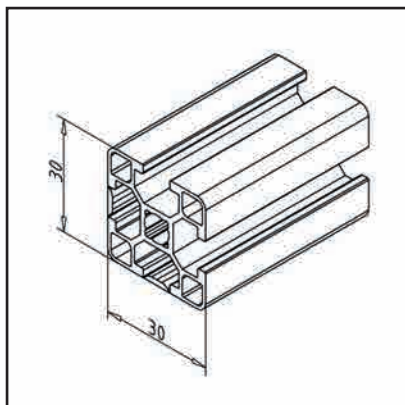
ASSEMBLY

- Power-lock fastener 30 / N 30
- Mitre connector 30
- Screw connection 30
- Angle 16 / 30
- Attaching accessories with sliding nut 30 M4 / M5 / M6 / M8

PROFILE 30 X 30 2G

Part no.

20.1124/0



TECHN. DATA / ITEMS SUPPLIED

- Aluminium, extruded, anodized E6/EV1
- $I_x = 2.334 \text{ cm}^4$
- $I_y = 2.334 \text{ cm}^4$
- $w_x = 1.501 \text{ cm}^3$
- $w_y = 1.501 \text{ cm}^3$
- Weight = 0.695 kg/m
- Bar length = 6 m
- Packing unit = 54 m

APPLICATIONS

- Light constructions with protective hoods, covers, etc.
- Specifically for high hygiene requirements in the food industry, medical technology, bottling of beverages

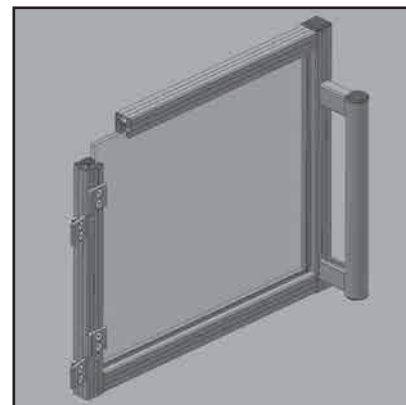
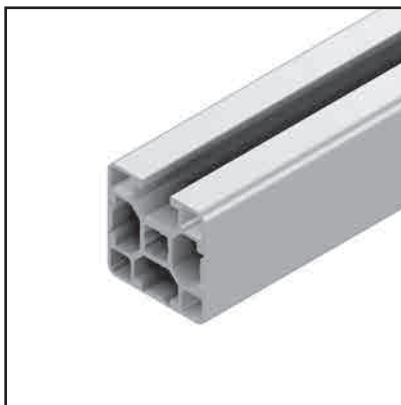
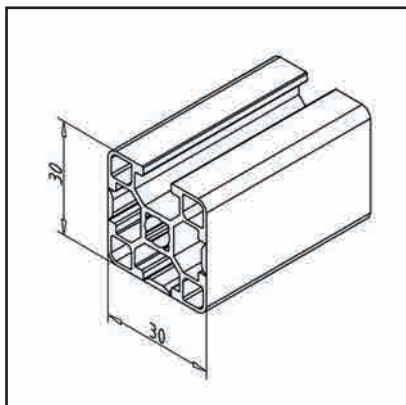
ASSEMBLY

- Power-lock fastener 30 / N 30
- Mitre connector 30
- Screw connection 30
- Angle 16 / 30
- Attaching accessories with sliding nut 30 M4 / M5 / M6 / M8

PROFILE 30 X 30 3G

Part no.

20.1085/0

**TECHN. DATA / ITEMS SUPPLIED**

- Aluminium, extruded, anodized E6/EV1
- $I_x = 2.321 \text{ cm}^4$
- $I_y = 2.537 \text{ cm}^4$
- $w_x = 1.493 \text{ cm}^3$
- $w_y = 1.691 \text{ cm}^3$
- Weight = 0.722 kg/m
- Bar length = 6 m
- Packing unit = 54 m

APPLICATIONS

- Light constructions with protective hoods, covers, etc.
- Specifically for high hygiene requirements in the food industry, medical technology, bottling of beverages

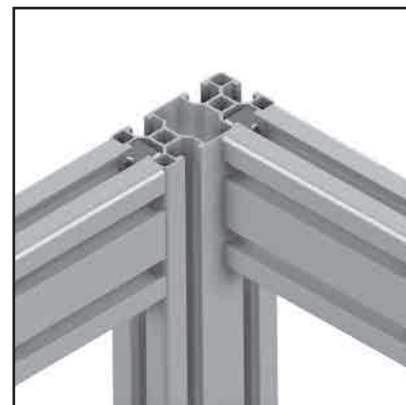
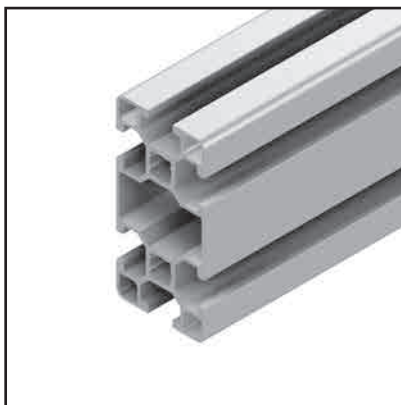
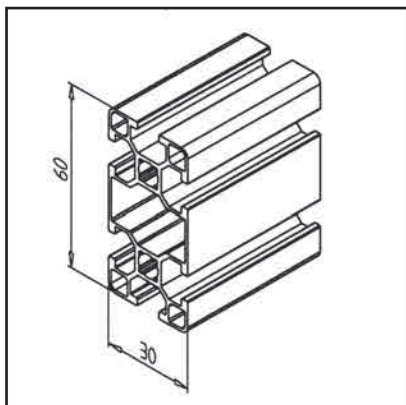
ASSEMBLY

- Power-lock fastener 30 / N 30
- Mitre connector 30
- Screw connection 30
- Angle 16 / 30
- Attaching accessories with sliding nut 30 M4 / M5 / M6 / M8

PROFILE 30 X 60

Part no.

20.0994/0

**TECHN. DATA / ITEMS SUPPLIED**

- Aluminium, extruded, anodized E6/EV1
- $I_x = 14.898 \text{ cm}^4$
- $I_y = 3.792 \text{ cm}^4$
- $w_x = 4.966 \text{ cm}^3$
- $w_y = 2.528 \text{ cm}^3$
- Weight = 1.069 kg/m
- Bar length = 6 m
- Packing unit = 54 m

APPLICATIONS

- Light constructions with protective hoods, covers, etc.

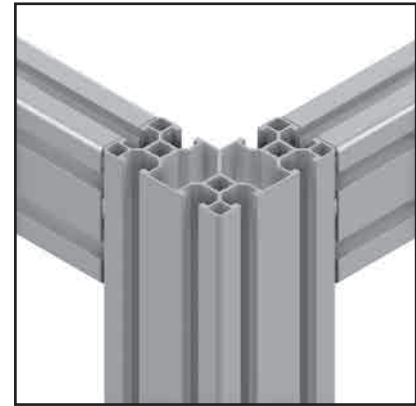
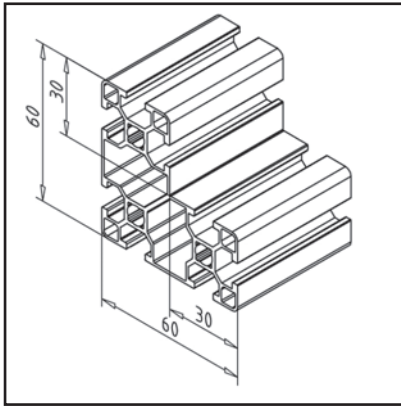
ASSEMBLY

- Power-lock fastener 30 / N 30
- Mitre connector 30
- Screw connection 30
- Angle 16 / 30
- Attaching accessories with sliding nut 30 M4 / M5 / M6 / M8

PROFILE 60 X 60 X 30

Part no.

20.0982/0



TECHN. DATA / ITEMS SUPPLIED

- Aluminium, extruded, anodized E6/EV1
- $I_x = 19.107 \text{ cm}^4$
- $I_y = 19.107 \text{ cm}^4$
- $w_x = 5.572 \text{ cm}^3$
- $w_y = 5.572 \text{ cm}^3$
- Weight = 1.534 kg/m
- Bar length = 6 m
- Packing unit = 36 m

APPLICATIONS

- Weight optimized constructions
- Tables
- Framework constructions
- display windows, showcases

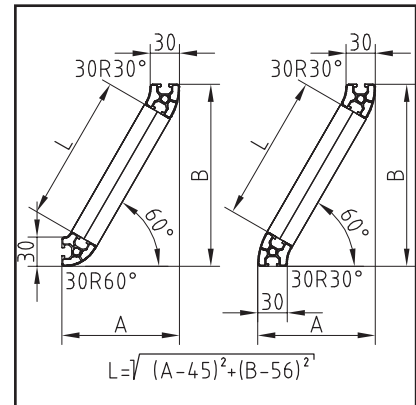
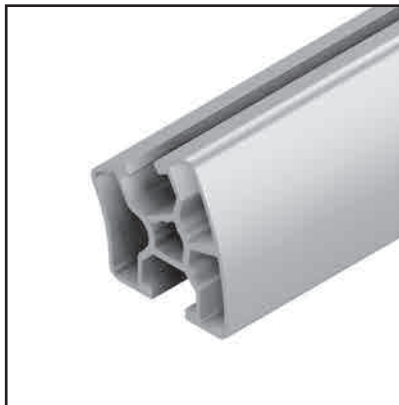
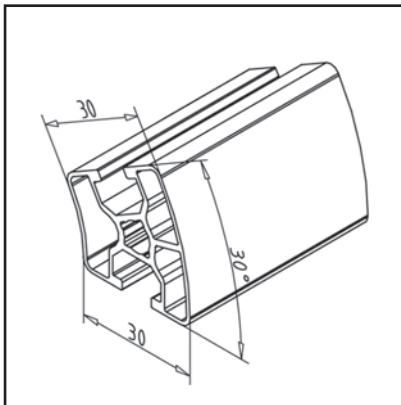
ASSEMBLY

- Power-lock fastener 30 / N 30
- Screw connection 30
- Angle 16 / 30
- Attaching accessories with sliding nut 30 M4 / M5 / M6 / M8
- Base and transport plate 60x60x30 **part no. 21.0038/0**

PROFILE 30 R 30°

Part no.

20.1134/0



TECHN. DATA / ITEMS SUPPLIED

- Aluminium, extruded, anodized E6/EV1
- $I_x = 1.939 \text{ cm}^4$
- $I_y = 1.909 \text{ cm}^4$
- $w_x = 0.982 \text{ cm}^3$
- $w_y = 1.006 \text{ cm}^3$
- Weight = 0.601 kg/m
- Bar length = 6 m
- Packing unit = 72 m

APPLICATIONS

- Weight optimized constructions
- Tables
- Framework constructions
- display windows, showcases
- As cross beam:
Calculate dimension L of the intermediate support according to calculating formula

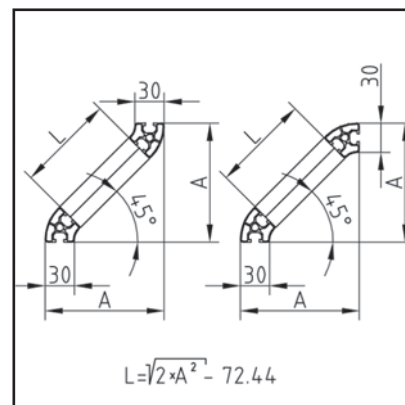
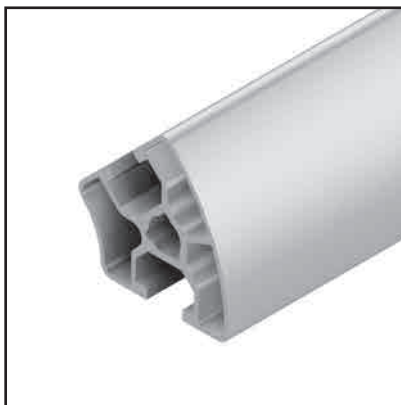
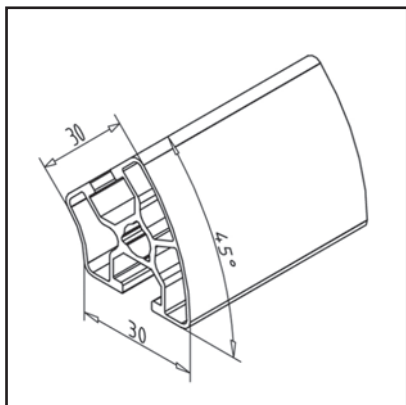
ASSEMBLY

- Power-lock fastener 30 / N 30
- Mitre connector 30
- Screw connection 30
- Angle 16 / 30
- Attaching accessories with sliding nut 30 M4 / M5 / M6 / M8

PROFILE 30 R 45°

Part no.

20.1135/0

**TECHN. DATA / ITEMS SUPPLIED**

- Aluminium, extruded, anodized E6/EV1
- $I_x = 1.909 \text{ cm}^4$
- $I_y = 1.812 \text{ cm}^4$
- $w_x = 0.924 \text{ cm}^3$
- $w_y = 0.951 \text{ cm}^3$
- Weight = 0.601 kg/m
- Bar length = 6 m
- Packing unit = 72 m

APPLICATIONS

- Weight optimized constructions
- Tables
- Framework constructions
- As cross beam:
Calculate dimension L of the intermediate support according to calculating formula
- display windows, showcases

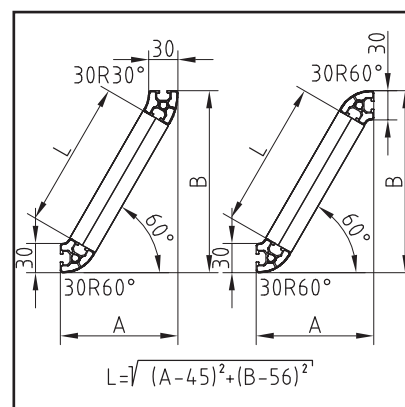
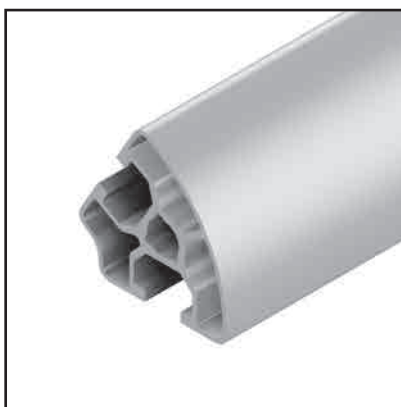
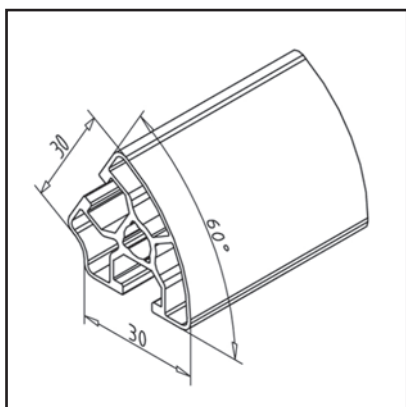
ASSEMBLY

- Power-lock fastener 30 / N 30
- Mitre connector 30
- Screw connection 30
- Angle 16 / 30
- Attaching accessories with sliding nut 30 M4 / M5 / M6 / M8

PROFILE 30 R 60°

Part no.

20.1136/0

**TECHN. DATA / ITEMS SUPPLIED**

- Aluminium, extruded, anodized E6/EV1
- $I_x = 1.847 \text{ cm}^4$
- $I_y = 1.721 \text{ cm}^4$
- $w_x = 0.904 \text{ cm}^3$
- $w_y = 0.951 \text{ cm}^3$
- Weight = 0.590 kg/m
- Bar length = 6 m
- Packing unit = 72 m

APPLICATIONS

- Weight optimized constructions
- Tables
- Framework constructions
- display windows, showcases
- As cross beam:
Calculate dimension L of the intermediate support according to calculating formula

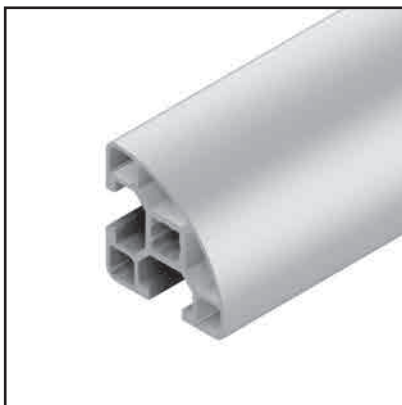
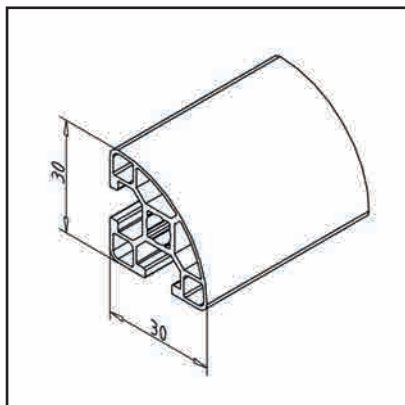
ASSEMBLY

- Power-lock fastener 30 / N 30
- Mitre connector 30
- Screw connection 30
- Angle 16 / 30
- Attaching accessories with sliding nut 30 M4 / M5 / M6 / M8

PROFILE 30 R 90°

Part no.

20.1125/0



TECHN. DATA / ITEMS SUPPLIED

- Aluminium, extruded, anodized E6/EV1
- $I_x = 1.847 \text{ cm}^4$
- $I_y = 1.721 \text{ cm}^4$
- $w_x = 0.904 \text{ cm}^3$
- $w_y = 0.951 \text{ cm}^3$
- Weight = 0.580 kg/m
- Bar length = 6 m
- Packing unit = 54 m

APPLICATIONS

- Weight optimized constructions
- Tables
- Framework constructions
- display windows, showcases

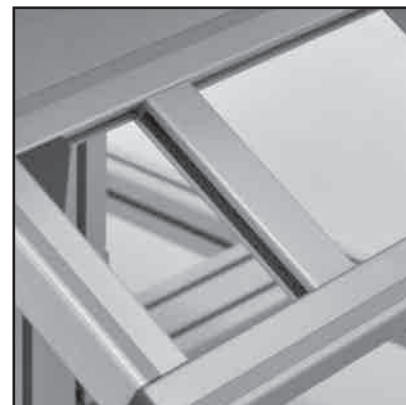
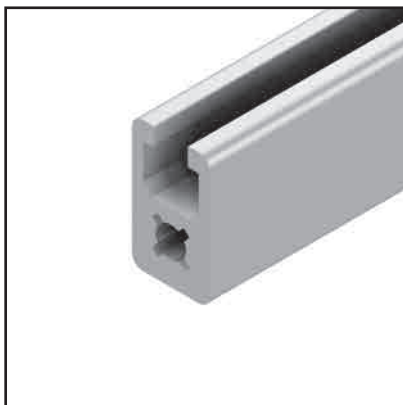
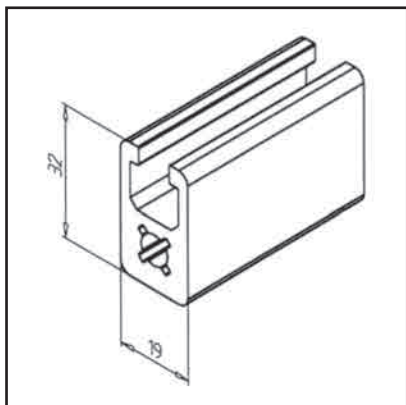
ASSEMBLY

- Power-lock fastener 30 / N 30
- Mitre connector 30
- Screw connection 30
- Angle 16 / 30 / 30 R 90°
- Attaching accessories with sliding nut 30 M4 / M5 / M6 / M8

PROFILE 19 X 32

Part no.

20.1000/0

**TECHN. DATA / ITEMS SUPPLIED**

- Aluminium, extruded, anodized E6/EV1
- $I_x = 3.102 \text{ cm}^4$
- $I_y = 1.526 \text{ cm}^4$
- $w_x = 1.651 \text{ cm}^3$
- $w_y = 1.606 \text{ cm}^3$
- Weight = 0.987 kg/m
- Bar length = 6 m
- Packing unit = 60 m

APPLICATIONS

- Light constructions
- Handle bars
- Carrier for initiators, switches
- Frames

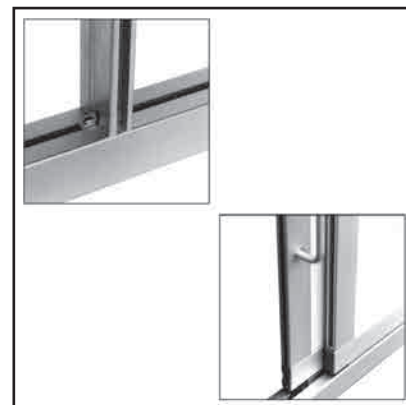
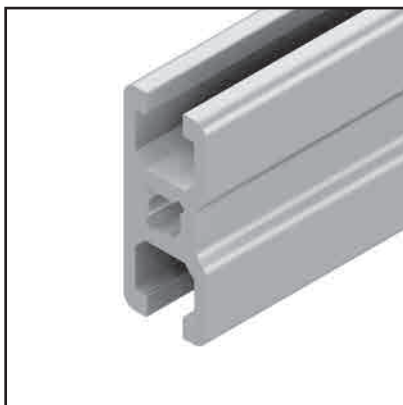
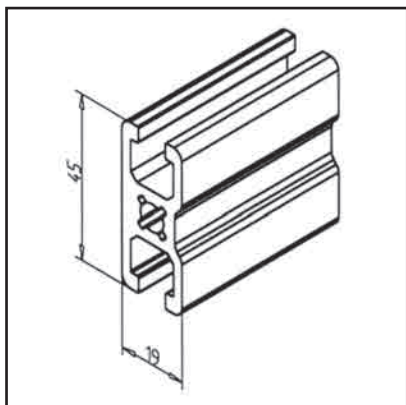
ASSEMBLY

- MiniTec power-lock fastener
- Angle 19 GD-Z, **part no. 21.2078/0**
- Bolt connector
- Screw connection

PROFILE 19 X 45

Part no.

20.1001/0

**TECHN. DATA / ITEMS SUPPLIED**

- Aluminium, extruded, anodized E6/EV1
- $I_x = 6.173 \text{ cm}^4$
- $I_y = 1.843 \text{ cm}^4$
- $w_x = 2.743 \text{ cm}^3$
- $w_y = 1.836 \text{ cm}^3$
- Weight = 1.101 kg/m
- Bar length = 6 m
- Packing unit = 60 m

APPLICATIONS

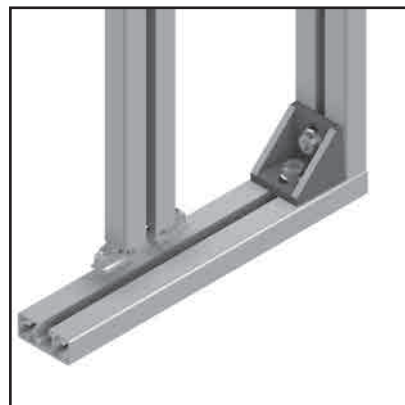
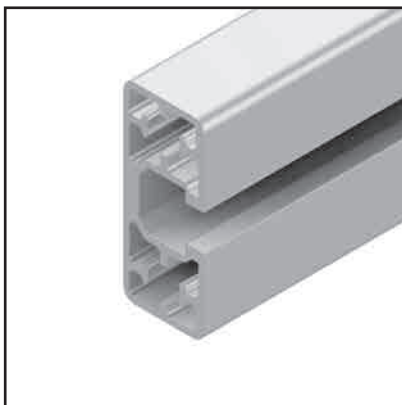
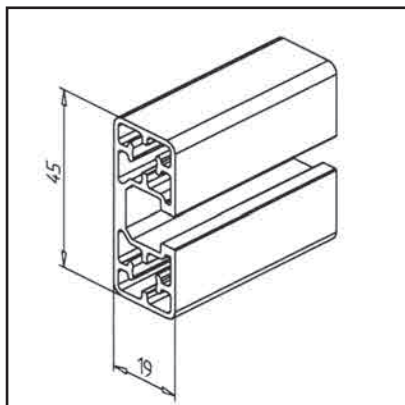
- Bracing, doors
- Guard units
- Weight optimized constructions
- Frames

ASSEMBLY

- MiniTec power-lock fastener
- Angle 19 GD-Z, **part no. 21.2078/0**
- Bolt connector
- Screw connection

PROFILE 45 X 19

Part no. 20.0993/0



TECHN. DATA / ITEMS SUPPLIED

- Aluminium, extruded, anodized E6/EV1
- $I_x = 6.106 \text{ cm}^4$
- $I_y = 1.384 \text{ cm}^4$
- $w_x = 2.71 \text{ cm}^3$
- $w_y = 1.45 \text{ cm}^3$
- Weight = 0.814 kg/m
- Bar length = 6 m
- Packing unit = 72 m

APPLICATIONS

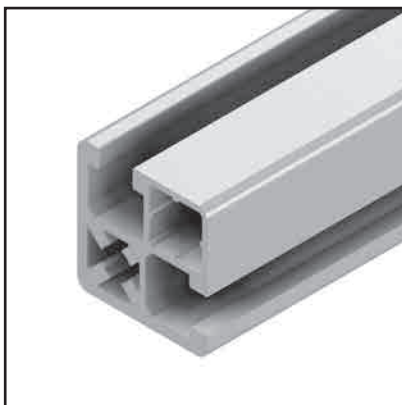
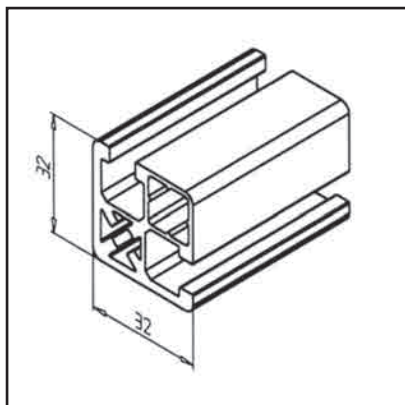
- Weight-optimized constructions
- Light constructions
- Light sliding windows
- Support plates
- Base plates

ASSEMBLY

- side 19 with MiniTec power lock fastener, **part no. 21.0818/0**
- 45th page with angle mounting bracket, profile connector N or connector

PROFILE 32 X 32 UL

Part no. 20.1064/0



TECHN. DATA / ITEMS SUPPLIED

- Aluminium, extruded, anodized E6/EV1
- $I_x = 4.1 \text{ cm}^4$
- $I_y = 4.1 \text{ cm}^4$
- $w_x = 2.267 \text{ cm}^3$
- $w_y = 2.267 \text{ cm}^3$
- Weight = 1.052 kg/m
- Bar length = 6 m
- Packing unit = 48 m

APPLICATIONS

- Weight-optimized constructions
- End table
- Swivel, lifting and sliding doors
- Bracings

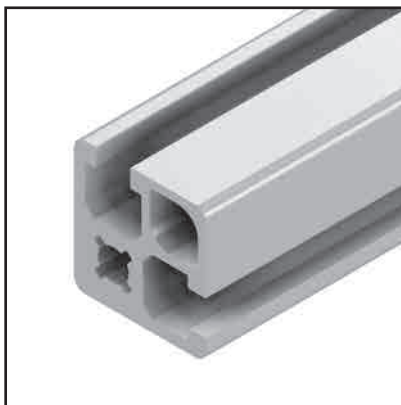
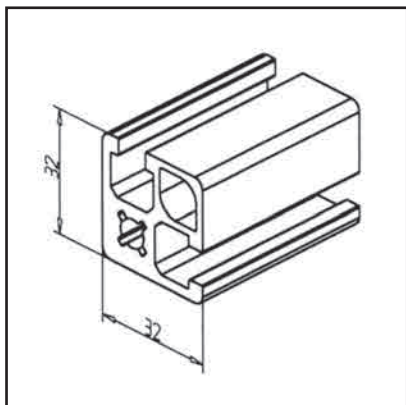
ASSEMBLY

- MiniTec power-lock fastener
- Angle 19 GD-Z, **part no. 21.2078/0**
- Bolt connector
- Screw connection

PROFILE 32 X 32 F

Part no.

20.1054/0



TECHN. DATA / ITEMS SUPPLIED

- Aluminium, extruded, anodized E6/EV1
- $I_x = 4.825 \text{ cm}^4$
- $I_y = 4.825 \text{ cm}^4$
- $w_x = 2.703 \text{ cm}^3$
- $w_y = 2.703 \text{ cm}^3$
- Weight = 1.288 kg/m
- Bar length = 6 m
- Packing unit = 48 m

APPLICATIONS

- Weight optimized constructions
- End table
- Swivel, lifting and sliding doors
- Bracings

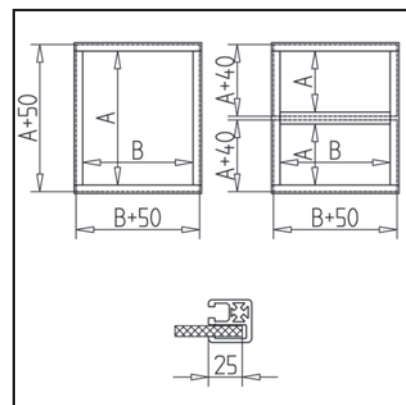
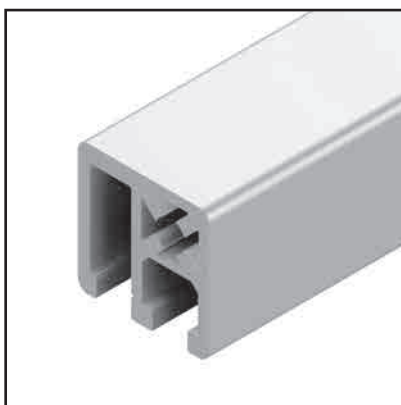
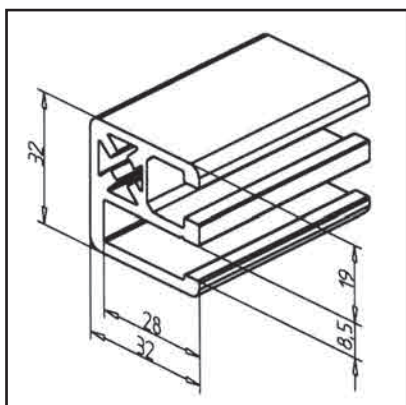
ASSEMBLY

- MiniTec power-lock fastener
- Angle 19 GD-Z, **part no. 21.2078/0**
- Bolt connector
- Screw connection

CLAMPING PROFILE 32 X 32

Part no.

20.1070/0



TECHN. DATA / ITEMS SUPPLIED

- Aluminium, extruded, anodized E6/EV1
- $I_x = 5.024 \text{ cm}^4$
- $I_y = 4.418 \text{ cm}^4$
- $w_x = 3.041 \text{ cm}^3$
- $w_y = 2.398 \text{ cm}^3$
- Weight = 1.211 kg/m
- Bar length = 6 m
- Packing unit = 48 m

APPLICATIONS

- All types of safety equipment
- For clamping of surface elements, such as woven mesh, panels, plates with a maximum strength of 8 mm
- In the case of larger protective fields, intermediate struts made of clamping profile 45 x 32 must be used in order to ensure adequate safety against pushing out of the surface elements; To do this, remove cover strips on clamping profile 45 x 32 mm
- Cut size of surface elements: Dimension A/B - 40/50 mm depending on application

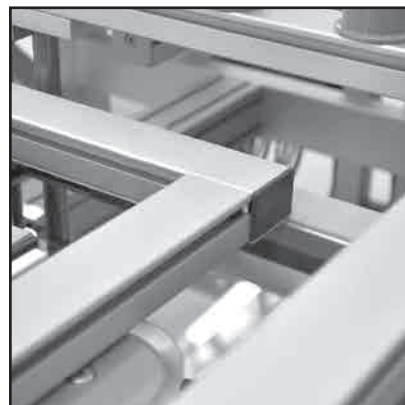
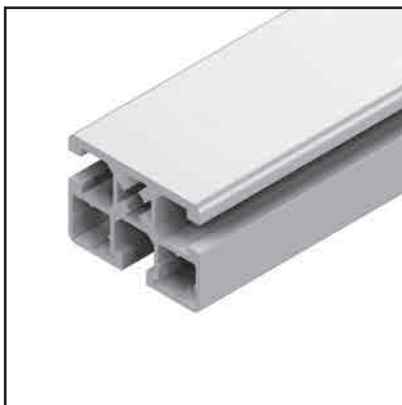
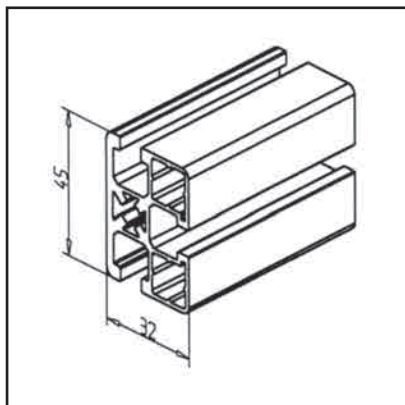
ASSEMBLY

- MiniTec power-lock fastener; no bores required
- No release of panel element corners required
- Pre-assemble tripartite frame
- Insert panel element and install last profile brace
- Press in the distance profile **part no. 22.1039/0** on the inside or drive in with a flat tool
- For panel elements < Mount 6 mm with matching plug-in seal or < Mount 4 mm with spacer profile and additionally suitable plug-in seal on the opposite side

PROFILE 45 X 32 UL

Part no.

20.1065/0



TECHN. DATA / ITEMS SUPPLIED

- Aluminium, extruded, anodized E6/EV1
- $I_x = 8.292 \text{ cm}^4$
- $I_y = 5.178 \text{ cm}^4$
- $w_x = 3.685 \text{ cm}^3$
- $w_y = 2.815 \text{ cm}^3$
- Weight = 1.257 kg/m
- Bar length = 6 m
- Packing unit = 48 m

APPLICATIONS

- All types of constructions, with a closed profile side
- Weight-optimized constructions
- Tables
- Frames
- Sliding doors

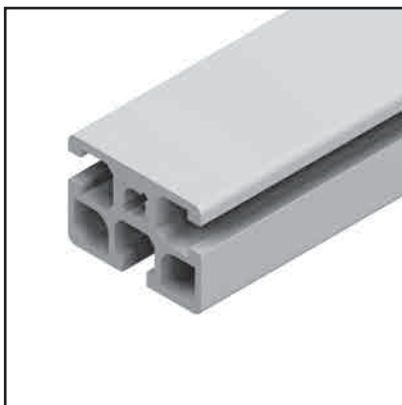
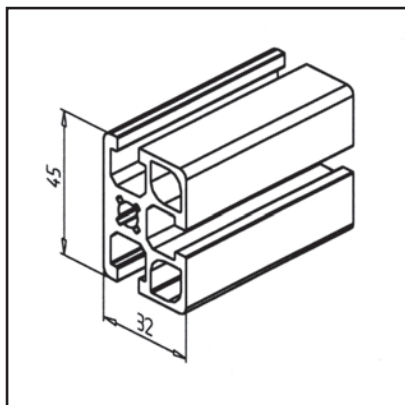
ASSEMBLY

- MiniTec power-lock fastener
- Angle 19 / 25 / 45 / 45 x 90 GD-Z
- Bolt connector
- Screw connection

PROFILE 45 X 32 F

Part no.

20.1055/0



TECHN. DATA / ITEMS SUPPLIED

- Aluminium, extruded, anodized E6/EV1
- $I_x = 10.189 \text{ cm}^4$
- $I_y = 6.499 \text{ cm}^4$
- $w_x = 4.528 \text{ cm}^3$
- $w_y = 3.762 \text{ cm}^3$
- Weight = 1.588 kg/m
- Bar length = 6 m
- Packing unit = 48 m

APPLICATIONS

- All types of constructions, with a closed profile side
- Tables
- Frames
- Sliding doors
- Rails

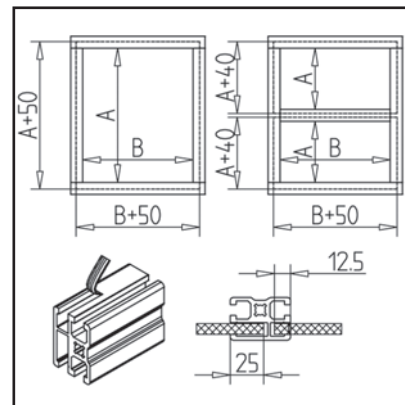
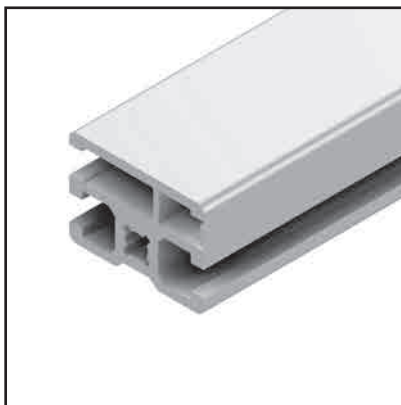
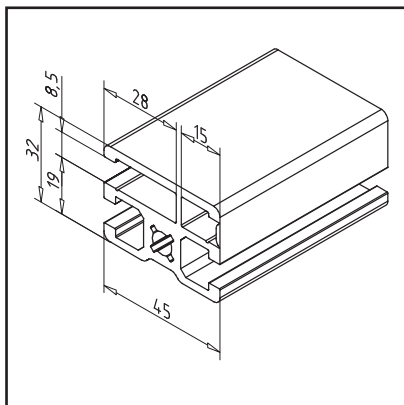
ASSEMBLY

- MiniTec power-lock fastener
- Angle 19 / 25 / 45 / 45 x 90 GD-Z
- Bolt connector
- Screw connection

CLAMPING PROFILE 45 X 32

Part no.

20.1053/0



TECHN. DATA / ITEMS SUPPLIED

- Aluminium, extruded, anodized E6/EV1
- $I_x = 6.465 \text{ cm}^4$
- $I_y = 9.521 \text{ cm}^4$
- $w_x = 3.999 \text{ cm}^3$
- $w_y = 4.119 \text{ cm}^3$
- Weight = 1.615 kg/m
- Bar length = 6 m
- Packing unit = 48 m

APPLICATIONS

- In the case of larger protective fields, intermediate struts made of clamping profile 45 x 32 must be used in order to ensure adequate safety against pushing out of the surface elements; To do this, remove cover strips on clamping profile 45 x 32 mm
- All types of safety equipment
- For clamping of surface elements, such as woven mesh, panels, plates with a maximum strength of 8 mm
- Cut size of surface elements:
Dimension A/B - 40/50 mm depending on application

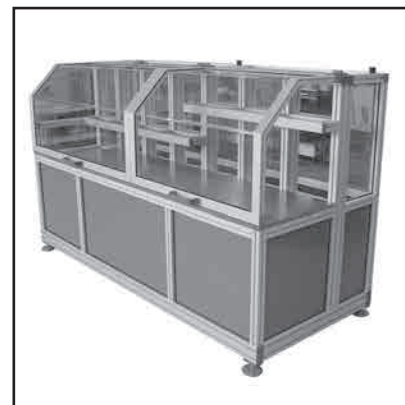
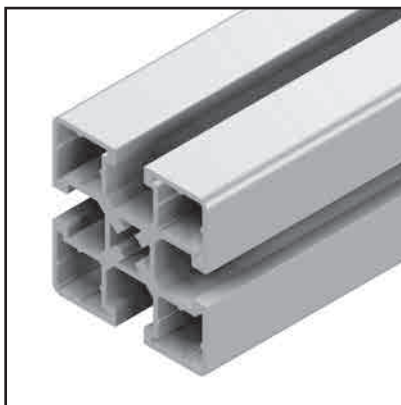
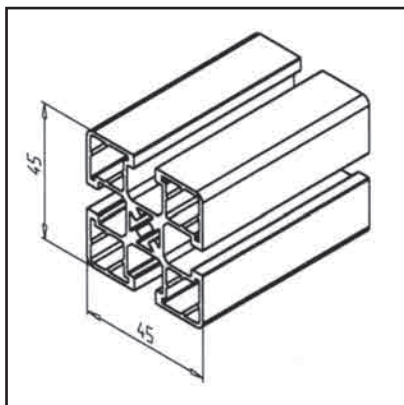
ASSEMBLY

- MiniTec power-lock fastener; no bores required
- No release of panel element corners required
- Pre-assemble tripartite frame
- Insert panel element and install last profile brace
- Press in the distance profile **part no. 22.1039/0** on the inside or drive in with a flat tool
- For panel elements < Mount 6 mm with matching plug-in seal or < Mount 4 mm with spacer profile and additionally suitable plug-in seal on the opposite side

PROFILE 45 X 45 UL

Part no.

20.1063/0



TECHN. DATA / ITEMS SUPPLIED

- Aluminium, extruded, anodized E6/EV1
- $I_x = 9.953 \text{ cm}^4$
- $I_y = 9.953 \text{ cm}^4$
- $w_x = 4.423 \text{ cm}^3$
- $w_y = 4.423 \text{ cm}^3$
- Weight = 1.445 kg/m
- Bar length = 6 m
- Packing unit = 54 m

APPLICATIONS

- Weight-optimized constructions
- All kinds of constructions

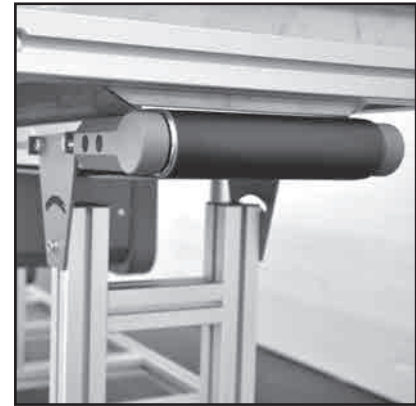
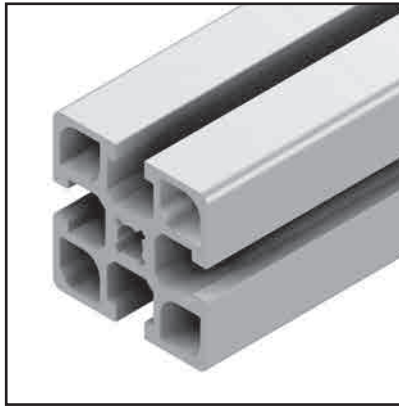
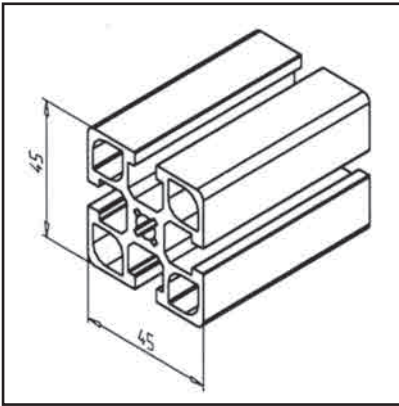
ASSEMBLY

- MiniTec power-lock fastener
- Angle 19 / 25 / 45 / 45 x 90 GD-Z
- Bolt connector
- Screw connection

PROFILE 45 X 45 F

Part no.

20.1033/0



TECHN. DATA / ITEMS SUPPLIED

- Aluminium, extruded, anodized E6/EV1
- $I_x = 14.172 \text{ cm}^4$
- $I_y = 14.172 \text{ cm}^4$
- $w_x = 6.298 \text{ cm}^3$
- $w_y = 6.298 \text{ cm}^3$
- Weight = 2.005 kg/m
- Bar length = 6 m
- Packing unit = 36 m

APPLICATIONS

- All kinds of constructions

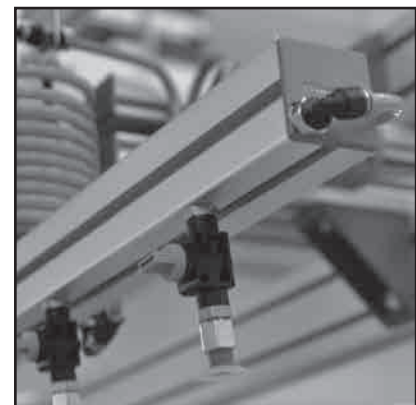
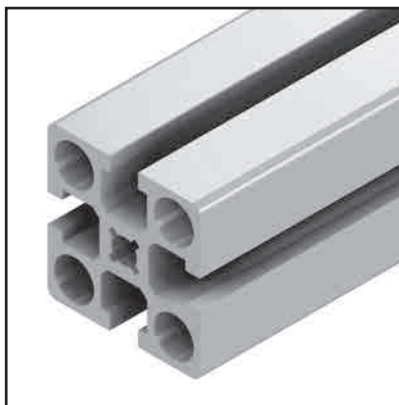
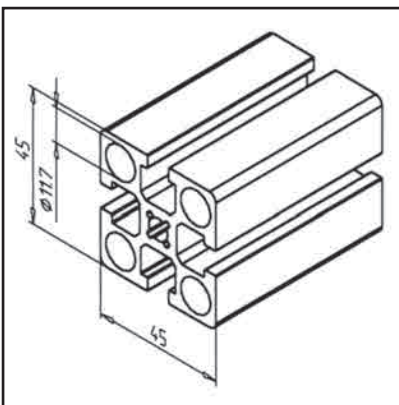
ASSEMBLY

- MiniTec power-lock fastener
- Angle 19 / 25 / 45 / 45 x 90 GD-Z
- Bolt connector
- Screw connection

PROFILE 45 X 45

Part no.

20.1006/0



TECHN. DATA / ITEMS SUPPLIED

- Aluminium, extruded, anodized E6/EV1
- $I_x = 15.934 \text{ cm}^4$
- $I_y = 15.934 \text{ cm}^4$
- $w_x = 7.081 \text{ cm}^3$
- $w_y = 7.081 \text{ cm}^3$
- Weight = 2.205 kg/m
- Bar length = 6 m
- Packing unit = 36 m

APPLICATIONS

- General constructions
- Compressed air piping
- Linear guides

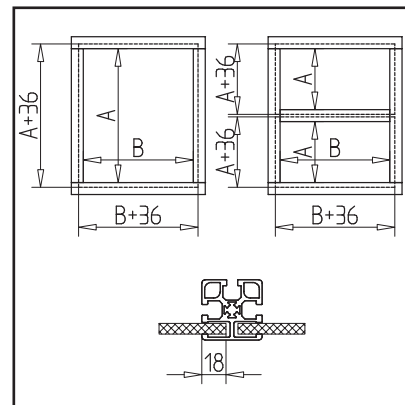
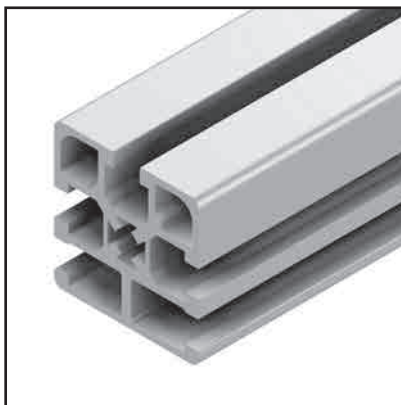
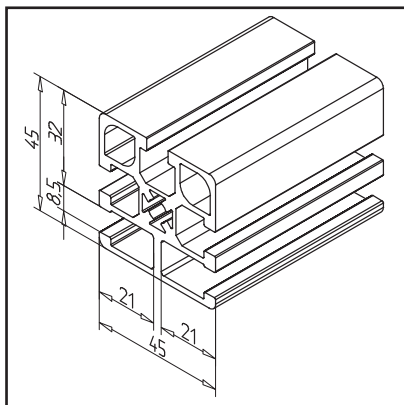
ASSEMBLY

- MiniTec power-lock fastener
- Angle 25 / 45, bolt-fastener, screw connection
- The $\varnothing 11.7 \text{ mm}$ holes can be bored with G 1/4 for holding screw plugs or pneumatic connections
- Lateral connections G 1/8" direct into the profile

CLAMPING PROFILE 45 X 45 F

Part no.

20.1147/0



TECHN. DATA / ITEMS SUPPLIED

- Aluminium, extruded, anodized E6/EV1
- $I_x = 13.521 \text{ cm}^4$
- $I_y = 12.308 \text{ cm}^4$
- $w_x = 5.836 \text{ cm}^3$
- $w_y = 5.470 \text{ cm}^3$
- Weight = 1.850 kg/m
- Bar length = 6 m
- Packing unit = 36 m

APPLICATIONS

- For clamping of surface elements, such as woven mesh, panels, plates with a maximum strength of 8 mm
- All types of safety equipment
- Cut size of surface elements: Dimension A/B - 36 mm

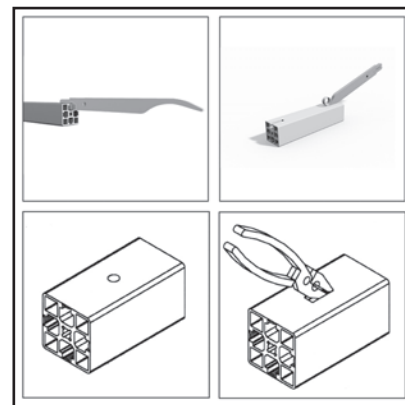
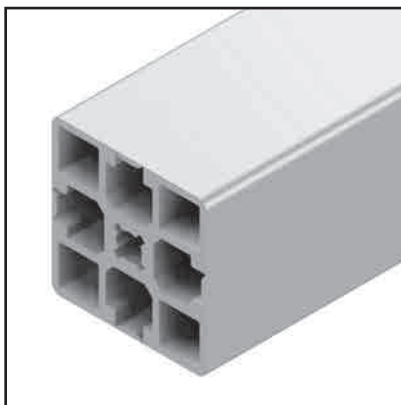
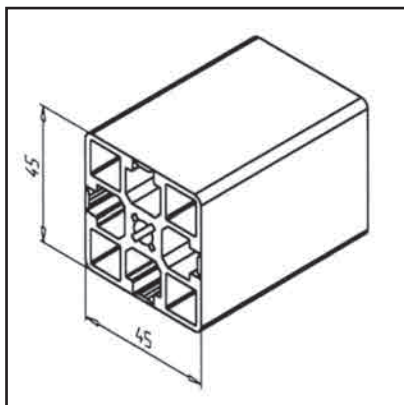
ASSEMBLY

- MiniTec power-lock fastener; no bores required
- No release of panel element corners required
- Pre-assemble tripartite frame
- Insert panel element and install last profile brace
- Press in the distance profile **part no. 22.1039/0** on the inside or drive in with a flat tool
- For panel elements < Mount 6 mm with matching plug-in seal or < Mount 4 mm with spacer profile and additionally suitable plug-in seal on the opposite side

PROFILE 45 X 45 G

Part no.

20.1028/0



TECHN. DATA / ITEMS SUPPLIED

- Aluminium, extruded, anodized E6/EV1
- $I_x = 14.087 \text{ cm}^4$
- $I_y = 14.087 \text{ cm}^4$
- $w_x = 6.261 \text{ cm}^3$
- $w_y = 6.261 \text{ cm}^3$
- Weight = 1.997 kg/m
- Bar length = 6 m
- Packing unit = 36 m

APPLICATIONS

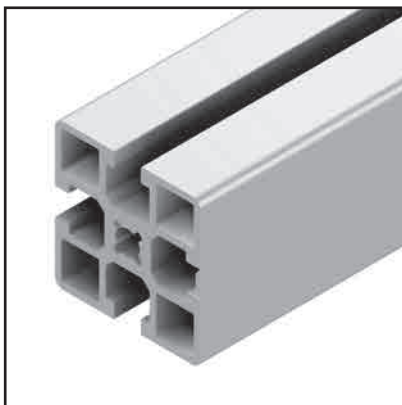
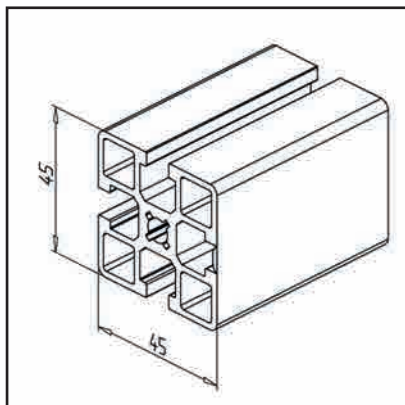
- All types of constructions, specifically for high hygiene requirements in the food industry, medical technology, bottling of beverages
- To close open grooves with the cover profile L **part no. 20.1021/0**
- Silicon sealings for profile connections on request

ASSEMBLY

- For tightening the MiniTec power-lock fastener, the groove cover must be opened by tear-off lever **part no. 26.0815/0** at the profile end. Opening can be covered with end cap profile G **part no. 22.1056/1**
- Angle 25 / 45
- closed grooves can be opened with the groove opener **part no. 26.0815/0** to the desired length

PROFILE 45 X 45 1G

Part no. 20.1126/0



TECHN. DATA / ITEMS SUPPLIED

APPLICATIONS

ASSEMBLY

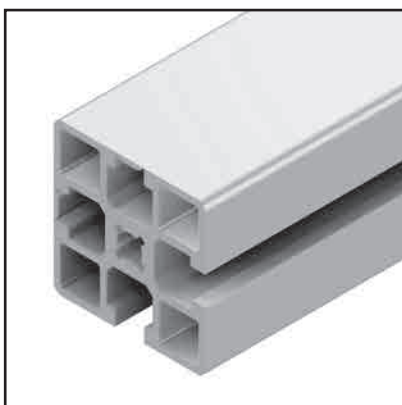
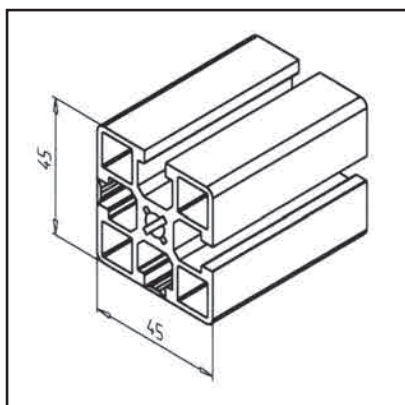
- Aluminium, extruded, anodized E6/EV1
- $I_x = 13.617 \text{ cm}^4$
- $I_y = 14.091 \text{ cm}^4$
- $w_x = 6.052 \text{ cm}^3$
- $w_y = 6.262 \text{ cm}^3$
- Weight = 1.897 kg/m
- Bar length = 6 m
- Packing unit = 36 m

- Grooves expandable
- All types of constructions, specifically for high hygiene requirements in the food industry, medical technology, bottling of beverages
- To close open grooves with the cover profile L **part no. 20.1021/0**
- Silicon sealings for profile connections on request

- For tightening the MiniTec power-lock fastener, the groove cover must be opened by tear-off lever **part no. 26.0815/0** at the profile end. Opening can be covered with end cap profile G **part no. 22.1056/1**
- Angle 25 / 45
- closed grooves can be opened with the groove opener **part no. 26.0815/0** to the desired length

PROFILE 45 X 45 2G

Part no. 20.1072/0



TECHN. DATA / ITEMS SUPPLIED

APPLICATIONS

ASSEMBLY

- Aluminium, extruded, anodized E6/EV1
- $I_x = 13.549 \text{ cm}^4$
- $I_y = 13.549 \text{ cm}^4$
- $w_x = 5.938 \text{ cm}^3$
- $w_y = 5.938 \text{ cm}^3$
- Weight = 1.925 kg/m
- Bar length = 6 m
- Packing unit = 36 m

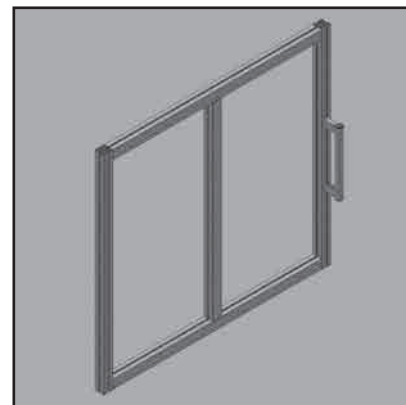
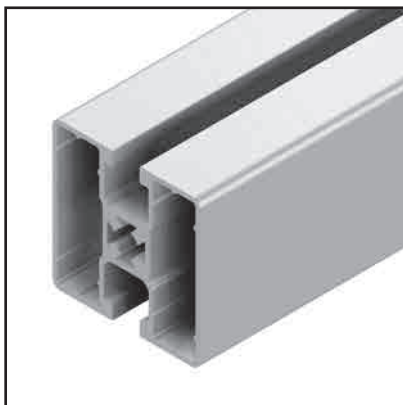
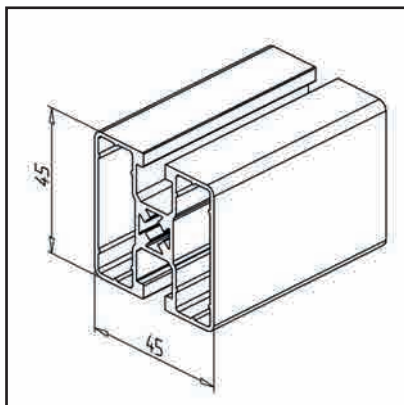
- All types of constructions, specifically for high hygiene requirements in the food industry, medical technology, bottling of beverages
- To close open grooves with the cover profile L **part no. 20.1021/0**
- Silicon sealings for profile connections on request

- For tightening the MiniTec power-lock fastener, the groove cover must be opened by tear-off lever **part no. 26.0815/0** at the profile end. Opening can be covered with end cap profile G **part no. 22.1056/1**
- Angle 25 / 45
- closed grooves can be opened with the groove opener **part no. 26.0815/0** to the desired length

PROFILE 45 X 45 UL 2GG

Part no.

20.1122/0



TECHN. DATA / ITEMS SUPPLIED

- Aluminium, extruded, anodized E6/EV1
- $I_x = 9.974 \text{ cm}^4$
- $I_y = 8.553 \text{ cm}^4$
- $w_x = 4.432 \text{ cm}^3$
- $w_y = 3.801 \text{ cm}^3$
- Weight = 1.254 kg/m
- Bar length = 6 m
- Packing unit = 54 m

APPLICATIONS

- Weight-optimized constructions
- All types of constructions, specifically for high hygiene requirements in the food industry, medical technology, bottling of beverages
- Silicon sealings for profile connections on request

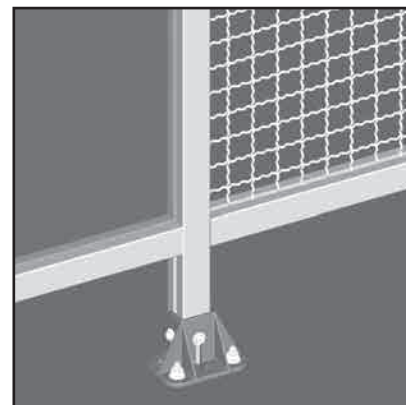
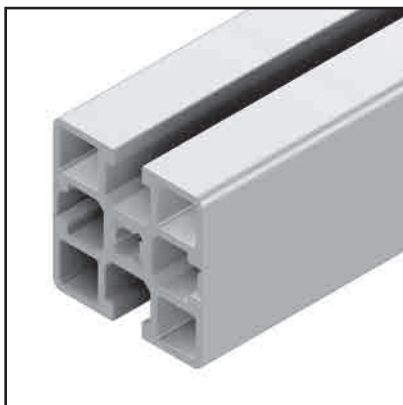
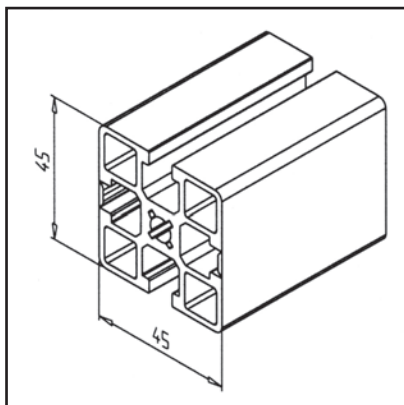
ASSEMBLY

- MiniTec power-lock fastener
- Angle 19 / 25 / 45 / 45 x 90 GD-Z
- Bolt connector
- Screw connection

PROFILE 45 X 45 2GG

Part no.

20.1099/0



TECHN. DATA / ITEMS SUPPLIED

- Aluminium, extruded, anodized E6/EV1
- $I_x = 13.069 \text{ cm}^4$
- $I_y = 14.045 \text{ cm}^4$
- $w_x = 5.808 \text{ cm}^3$
- $w_y = 6.242 \text{ cm}^3$
- Weight = 1.925 kg/m
- Bar length = 6 m
- Packing unit = 36 m

APPLICATIONS

- All types of constructions, specifically for high hygiene requirements in the food industry, medical technology, bottling of beverages
- To close open grooves with the cover profile L **part no. 20.1021/0**
- Silicon sealings for profile connections on request

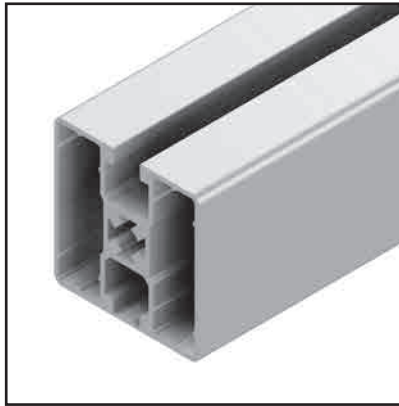
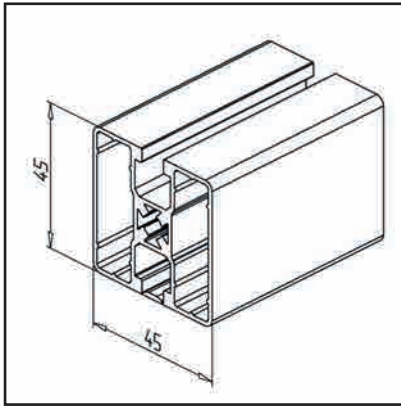
ASSEMBLY

- For tightening the MiniTec power-lock fastener, the groove cover must be opened by tear-off lever **part no. 26.0815/0** at the profile end. Opening can be covered with end cap profile G **part no. 22.1056/1**
- Angle 25 / 45
- closed grooves can be opened with the groove opener **part no. 26.0815/0** to the desired length

PROFILE 45 X 45 UL 3G

Part no.

20.1123/0



TECHN. DATA / ITEMS SUPPLIED

- Aluminium, extruded, anodized E6/EV1
- $I_x = 10.44 \text{ cm}^4$
- $I_y = 8.557 \text{ cm}^4$
- $w_x = 4.64 \text{ cm}^3$
- $w_y = 3.803 \text{ cm}^3$
- Weight = 1.281 kg/m
- Bar length = 6 m
- Packing unit = 54 m

APPLICATIONS

- Grooves expandable
- Weight-optimized constructions
- All types of constructions, specifically for high hygiene requirements in the food industry, medical technology, bottling of beverages
- Silicon sealings for profile connections on request

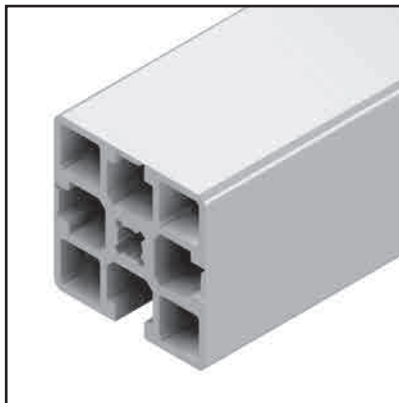
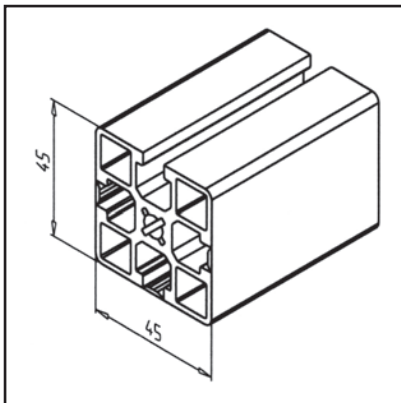
ASSEMBLY

- MiniTec power-lock fastener
- Angle 19 / 25 / 45 / 45 x 90 GD-Z
- Screw connection

PROFILE 45 X 45 3G

Part no.

20.1048/0



TECHN. DATA / ITEMS SUPPLIED

- Aluminium, extruded, anodized E6/EV1
- $I_x = 13.554 \text{ cm}^4$
- $I_y = 14.049 \text{ cm}^4$
- $w_x = 5.941 \text{ cm}^3$
- $w_y = 6.244 \text{ cm}^3$
- Weight = 1.953 kg/m
- Bar length = 6 m
- Packing unit = 36 m

APPLICATIONS

- All types of constructions, specifically for high hygiene requirements in the food industry, medical technology, bottling of beverages
- To close open grooves with the cover profile L **part no. 20.1021/0**
- Silicon sealings for profile connections on request

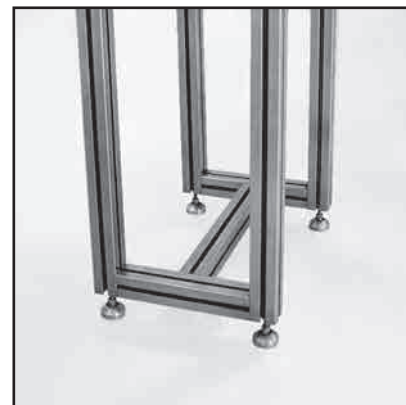
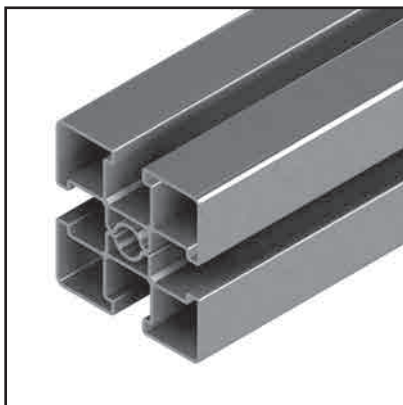
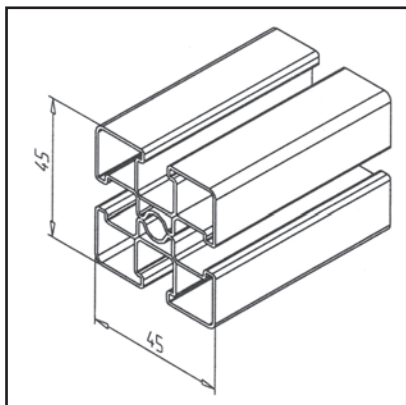
ASSEMBLY

- For tightening the MiniTec power-lock fastener, the groove cover must be opened by tear-off lever **part no. 26.0815/0** at the profile end. Opening can be covered with end cap profile G **part no. 22.1056/1**
- Angle 25 / 45
- closed grooves can be opened with the groove opener **part no. 26.0815/0** to the desired length

PROFILE 45 X 45 SST

Part no.

20.2000/0

**TECHN. DATA / ITEMS SUPPLIED**

- Stainless steel, Rolled, bright
- $I_x = 6.47 \text{ cm}^4$
- $I_y = 6.47 \text{ cm}^4$
- $w_x = 2.88 \text{ cm}^3$
- $w_y = 2.88 \text{ cm}^3$
- Material: WN DIN 1.4301 (X5 Cr Ni 18-10, SUS 304)
- Weight = 2.712 kg/m
- Bar length = 6 m
- Packing unit = 24 m

APPLICATIONS

- Food and beverage industry
- Outdoor constructions
- Chemical industry
- Pharmaceutical industry
- High temperatures

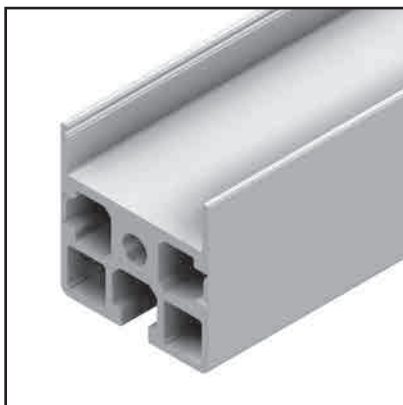
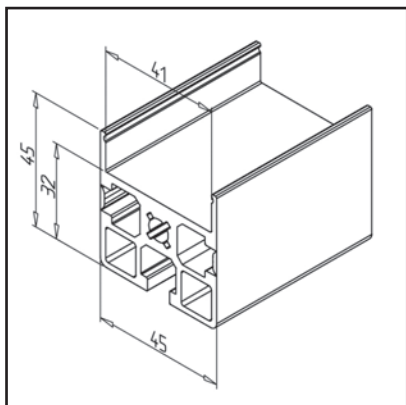
ASSEMBLY

- Power-lock fastener H, **part no. 21.1018/1**
- Angles
- Screws M8, stainless

PROFILE 45 X 45 R

Part no.

20.1046/0

**TECHN. DATA / ITEMS SUPPLIED**

- Aluminium, extruded, anodized E6/EV1
- $I_x = 8.296 \text{ cm}^4$
- $I_y = 12.997 \text{ cm}^4$
- $w_x = 3.247 \text{ cm}^3$
- $w_y = 5.776 \text{ cm}^3$
- Weight = 1.711 kg/m
- Bar length = 6 m
- Packing unit = 36 m

APPLICATIONS

- Combination of construction element and:
- Cable duct
- Guiding groove for belt conveyor
- Storage rail
- Guide for serpentine power chains

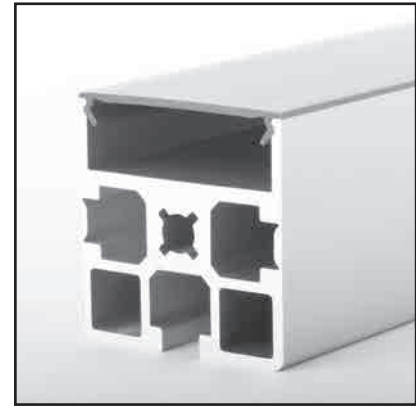
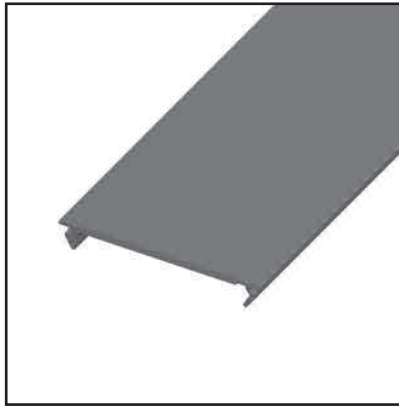
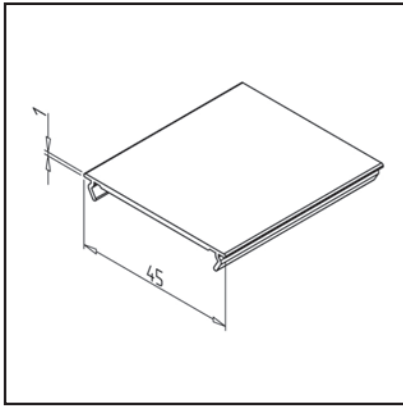
ASSEMBLY

- MiniTec power-lock fastener
- closed grooves can be opened with the groove opener **part no. 26.0815/0** to the desired length

COVER PROFILE 45 X 45 R

Part no.

20.1037/0



TECHN. DATA / ITEMS SUPPLIED

- PVC, extruded, grey
- Weight = 0.110 kg/m
- Bar length = 2 m

APPLICATIONS

- Covering of profiles 45 x 45 R

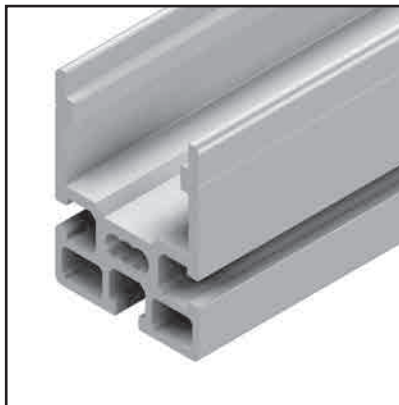
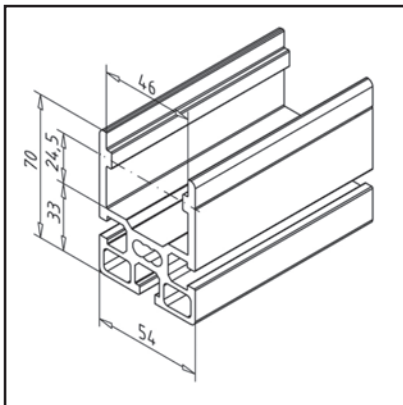
ASSEMBLY

- Snaps onto profile

PROFILE HEIGHT ADJUSTMENT

Part no.

20.1143/0



TECHN. DATA / ITEMS SUPPLIED

- Aluminium, extruded, anodized E6/EV1
- $I_x = 40.251 \text{ cm}^4$
- $I_y = 39.822 \text{ cm}^4$
- $w_x = 9.624 \text{ cm}^3$
- $w_y = 14.749 \text{ cm}^3$
- Weight = 2.940 kg/m
- Bar length = 6 m
- Packing unit = 24 m

APPLICATIONS

- Height adjustment
- Telescopic applications

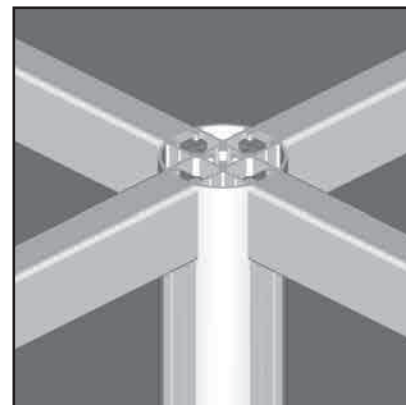
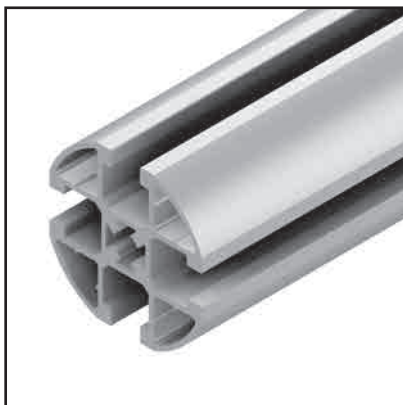
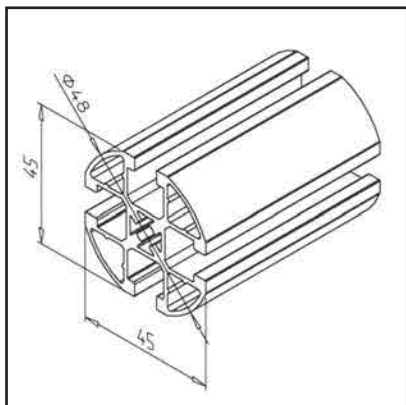
ASSEMBLY

- For clamping or snap-in on the profile in the respective process.

PROFILE 45 R 4

Part no.

20.1120/0

**TECHN. DATA / ITEMS SUPPLIED**

- Aluminium, extruded, anodized E6/EV1
- $I_x = 8.163 \text{ cm}^4$
- $I_y = 8.163 \text{ cm}^4$
- $w_x = 3.628 \text{ cm}^3$
- $w_y = 3.628 \text{ cm}^3$
- Weight = 1.405 kg/m
- Bar length = 6 m
- Packing unit = 48 m

APPLICATIONS

- Weight-optimized constructions
- Handrail
- Connection of profiles 19
- Handles with different length for doors and drawers

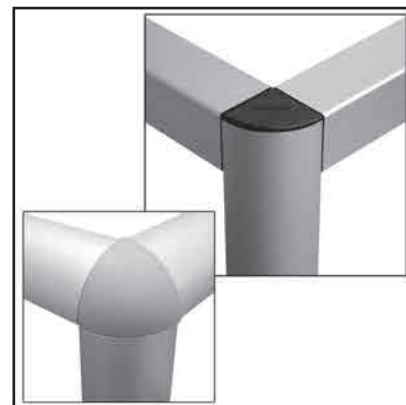
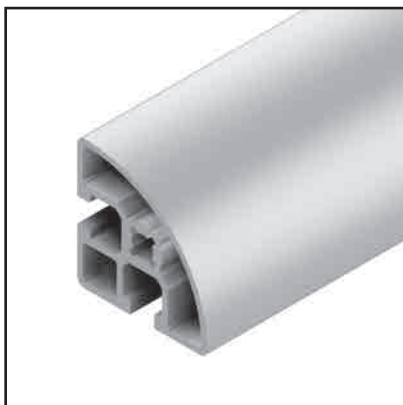
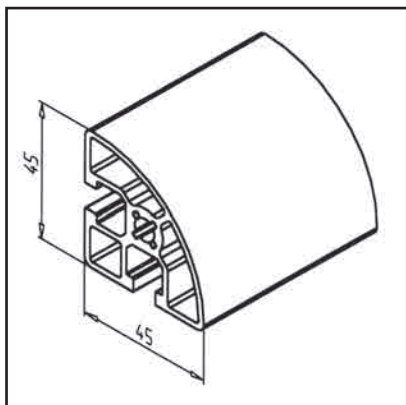
ASSEMBLY

- MiniTec power-lock fastener
- Screw connection
- Angle 19 GD-Z, **part no. 21.2078/0**

PROFILE 45 R 90°

Part no.

20.1069/0

**TECHN. DATA / ITEMS SUPPLIED**

- Aluminium, extruded, anodized E6/EV1
- $I_x = 9.138 \text{ cm}^4$
- $I_y = 9.138 \text{ cm}^4$
- $w_x = 3.581 \text{ cm}^3$
- $w_y = 3.581 \text{ cm}^3$
- Weight = 1.478 kg/m
- Bar length = 6 m
- Packing unit = 48 m

APPLICATIONS

- Weight optimized constructions
- Tables
- Framework constructions
- display windows, showcases

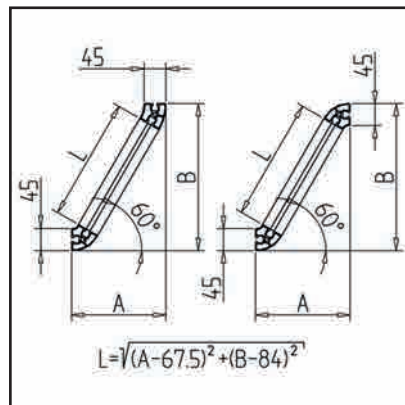
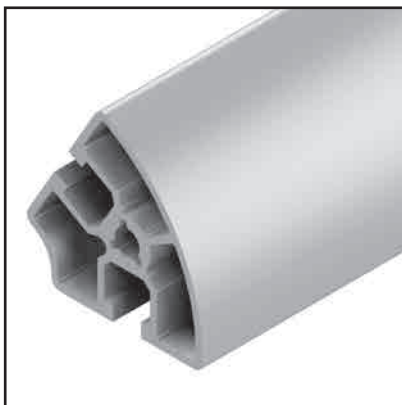
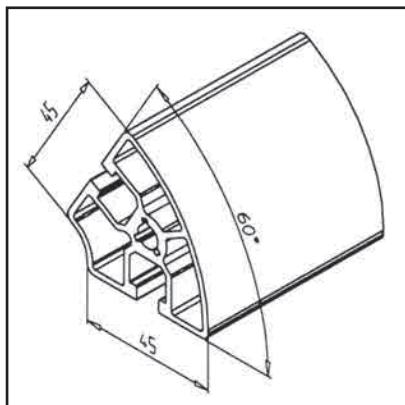
ASSEMBLY

- MiniTec power-lock fastener
- Angle 45 R 90°
- Bolt connector

PROFILE 45 R 60°

Part no.

20.1096/0



TECHN. DATA / ITEMS SUPPLIED

APPLICATIONS

ASSEMBLY

- Aluminium, extruded, anodized E6/EV1
- $I_x = 11.446 \text{ cm}^4$
- $I_y = 10.28 \text{ cm}^4$
- $w_x = 3.667 \text{ cm}^3$
- $w_y = 3.752 \text{ cm}^3$
- Weight = 1.575 kg/m
- Bar length = 6 m
- Packing unit = 48 m

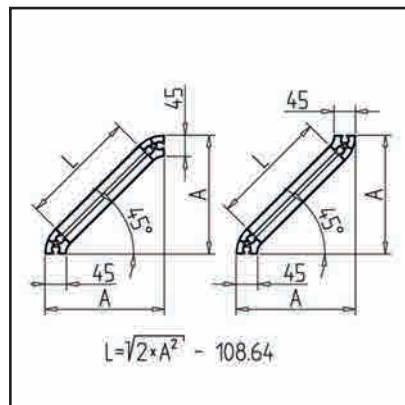
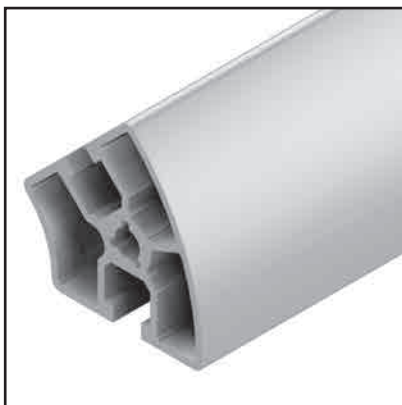
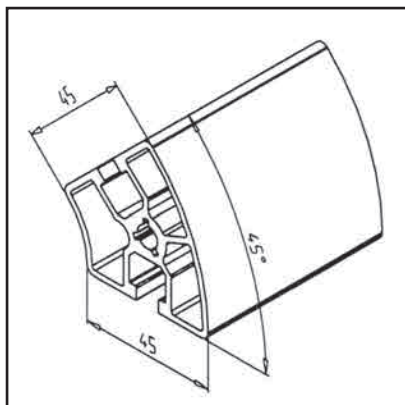
- Angled enclosures
- Tables
- Framework constructions
- display windows, showcases
- As cross beam:
Calculate dimension L of the intermediate support according to calculating formula

- MiniTec power-lock fastener
- Bolt connector

PROFILE 45 R 45°

Part no.

20.1095/0



TECHN. DATA / ITEMS SUPPLIED

APPLICATIONS

ASSEMBLY

- Aluminium, extruded, anodized E6/EV1
- $I_x = 12.457 \text{ cm}^4$
- $I_y = 11.296 \text{ cm}^4$
- $w_x = 3.976 \text{ cm}^3$
- $w_y = 3.837 \text{ cm}^3$
- Weight = 1.607 kg/m
- Bar length = 6 m
- Packing unit = 48 m

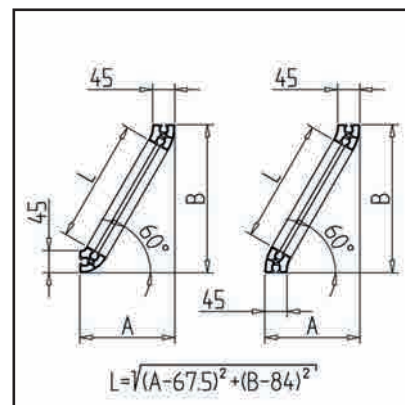
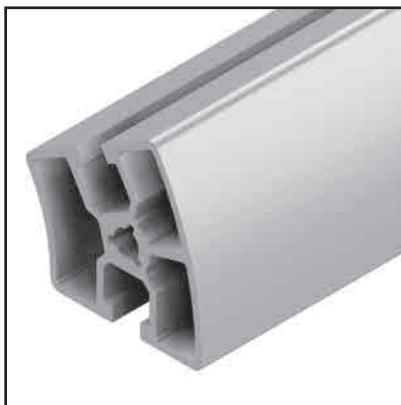
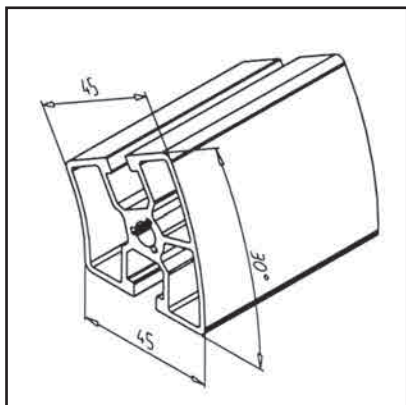
- Angled enclosures
- Tables
- Framework constructions
- display windows, showcases
- As cross beam:
Calculate dimension L of the intermediate support according to calculating formula

- MiniTec power-lock fastener
- Bolt connector

PROFILE 45 R 30°

Part no.

20.1094/0

**TECHN. DATA / ITEMS SUPPLIED**

- Aluminium, extruded, anodized E6/EV1
- $I_x = 12.138 \text{ cm}^4$
- $I_y = 11.006 \text{ cm}^4$
- $w_x = 4.018 \text{ cm}^3$
- $w_y = 3.883 \text{ cm}^3$
- Weight = 1.626 kg/m
- Bar length = 6 m
- Packing unit = 48 m

APPLICATIONS

- Angled enclosures
- Tables
- Framework constructions
- display windows, showcases
- As cross beam:
Calculate dimension L of the intermediate support according to calculating formula

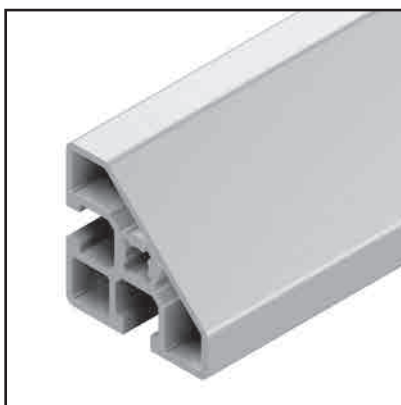
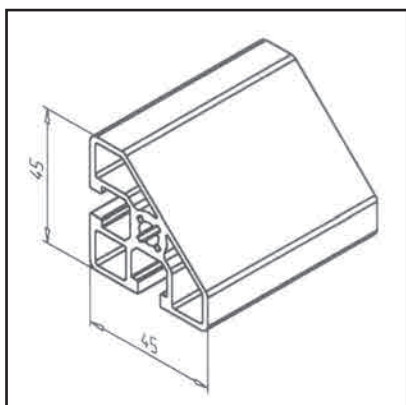
ASSEMBLY

- MiniTec power-lock fastener
- Bolt connector

PROFILE 45 / 45°

Part no.

20.1029/0

**TECHN. DATA / ITEMS SUPPLIED**

- Aluminium, extruded, anodized E6/EV1
- $I_x = 8.626 \text{ cm}^4$
- $I_y = 8.626 \text{ cm}^4$
- $w_x = 3.315 \text{ cm}^3$
- $w_y = 3.315 \text{ cm}^3$
- Weight = 1.443 kg/m
- Bar length = 6 m
- Packing unit = 48 m

APPLICATIONS

- Weight optimized constructions
- Tables
- Framework constructions
- Bracings

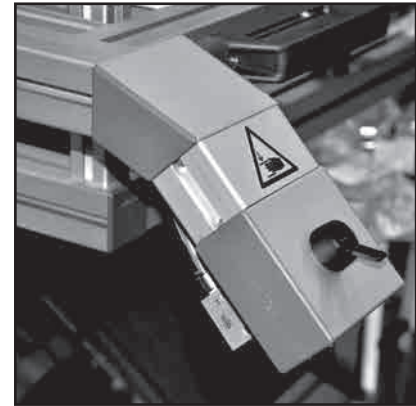
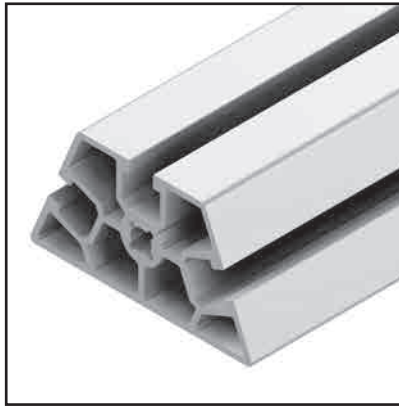
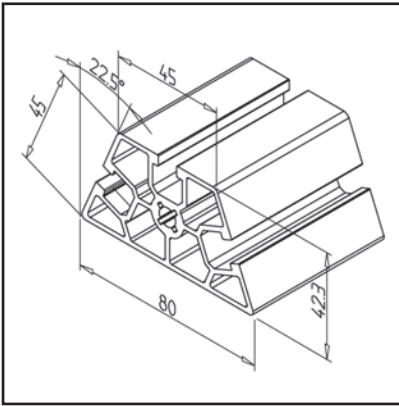
ASSEMBLY

- MiniTec power-lock fastener
- Angle 45°
- Mounting bracket 45 or 90
- Bolt connector

PROFILE 45 / 22,5°

Part no.

20.1030/0



TECHN. DATA / ITEMS SUPPLIED

- Aluminium, extruded, anodized E6/EV1
- $I_x = 14.506 \text{ cm}^4$
- $I_y = 33.432 \text{ cm}^4$
- $w_x = 7.934 \text{ cm}^3$
- $w_y = 8.515 \text{ cm}^3$
- Weight = 2.225 kg/m
- Bar length = 6 m
- Packing unit = 36 m

APPLICATIONS

- Guard units
- Tables
- Connection of construction elements at an angle of 45°
- Bracings

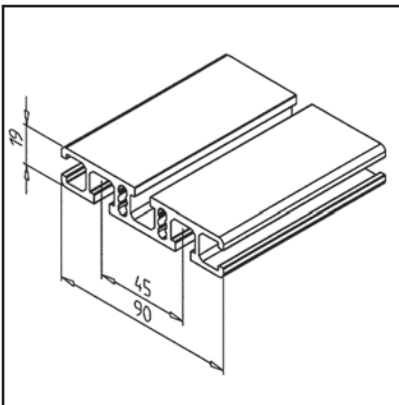
ASSEMBLY

- MiniTec power-lock fastener
- Angles
- Bolt connector

PROFILE 19 X 90

Part no.

20.0995/0



TECHN. DATA / ITEMS SUPPLIED

- Aluminium, extruded, anodized E6/EV1
- $I_x = 3.436 \text{ cm}^4$
- $I_y = 45.455 \text{ cm}^4$
- $w_x = 3.493 \text{ cm}^3$
- $w_y = 10.101 \text{ cm}^3$
- Weight = 1.919 kg/m
- Bar length = 6 m
- Packing unit = 48 m

APPLICATIONS

- Base plates, tensioning plates
- Contact areas
- Slide plates for linear slides
- Floor fastening plates
- Showcases

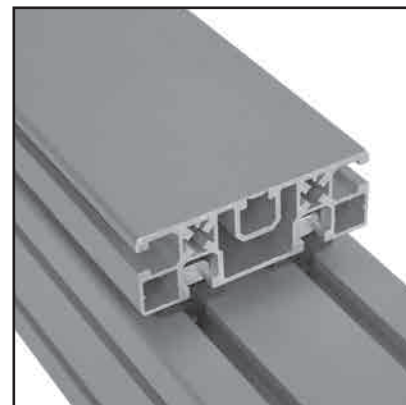
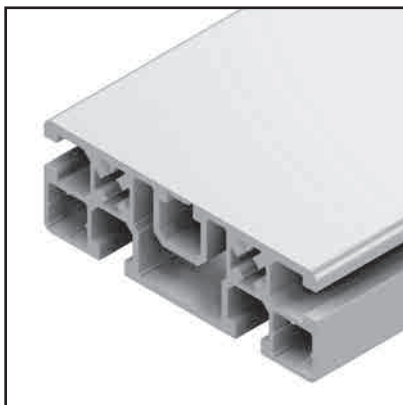
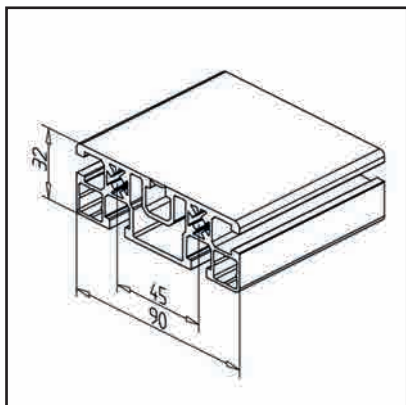
ASSEMBLY

- Bolt connector
- Angles

PROFILE 90 X 32 UL

Part no.

20.1066/0

**TECHN. DATA / ITEMS SUPPLIED**

- Aluminium, extruded, anodized E6/EV1
- $I_x = 10.627 \text{ cm}^4$
- $I_y = 64.889 \text{ cm}^4$
- $w_x = 5.832 \text{ cm}^3$
- $w_y = 14.34 \text{ cm}^3$
- Weight = 2.464 kg/m
- Bar length = 6 m
- Packing unit = 36 m

APPLICATIONS

- All types of constructions, with a closed profile side
- Weight-optimized constructions
- Tables
- Frames
- Safety equipment

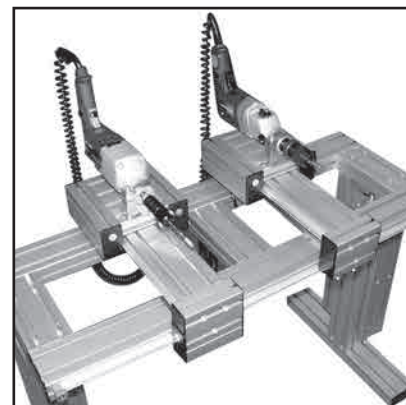
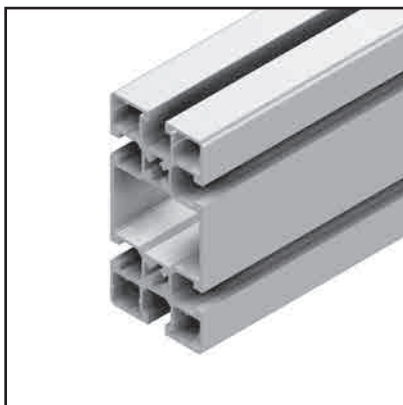
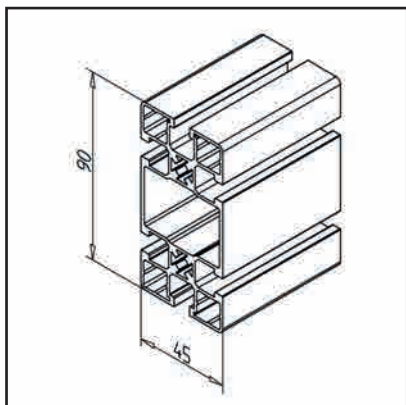
ASSEMBLY

- MiniTec power-lock fastener
- Angles
- Screw connection
- closed grooves can be opened with the groove opener **part no. 26.0815/0** to the desired length

PROFILE 45 X 90 UL

Part no.

20.1067/0

**TECHN. DATA / ITEMS SUPPLIED**

- Aluminium, extruded, anodized E6/EV1
- $I_x = 73.907 \text{ cm}^4$
- $I_y = 19.194 \text{ cm}^4$
- $w_x = 16.423 \text{ cm}^3$
- $w_y = 8.53 \text{ cm}^3$
- Weight = 2.421 kg/m
- Bar length = 6 m
- Packing unit = 24 m

APPLICATIONS

- Universal mounting for all types of weight optimised constructions
- The hollow chamber is designed for receiving and guiding counterweights

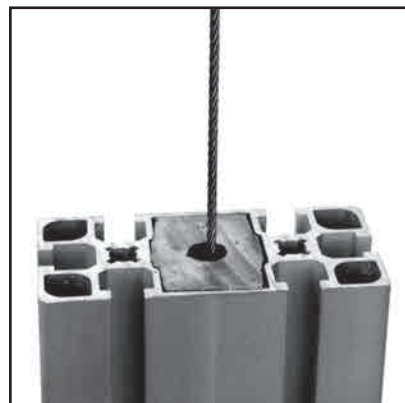
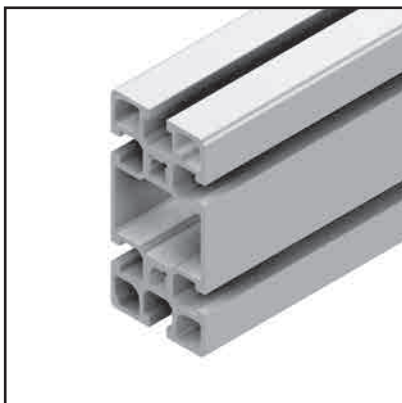
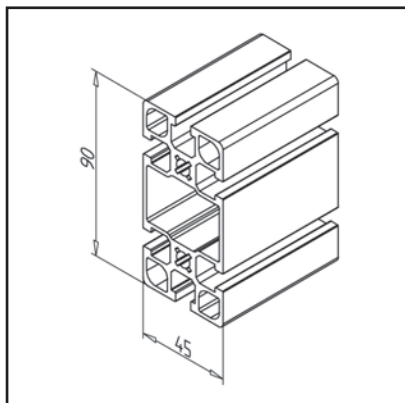
ASSEMBLY

- MiniTec power-lock fastener
- Angle 19 / 25 / 45 / 45 x 90 GD-Z
- Bolt connector
- Screw connection

PROFIL 45 X 90 F

Part no.

20.1032/0



TECHN. DATA / ITEMS SUPPLIED

APPLICATIONS

ASSEMBLY

- Aluminium, extruded, anodized E6/EV1
- $I_x = 100.988 \text{ cm}^4$
- $I_y = 24.34 \text{ cm}^4$
- $w_x = 22.441 \text{ cm}^3$
- $w_y = 10.818 \text{ cm}^3$
- Weight = 3.134 kg/m
- Bar length = 6 m
- Packing unit = 24 m

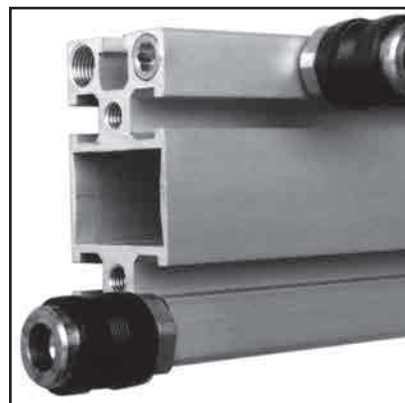
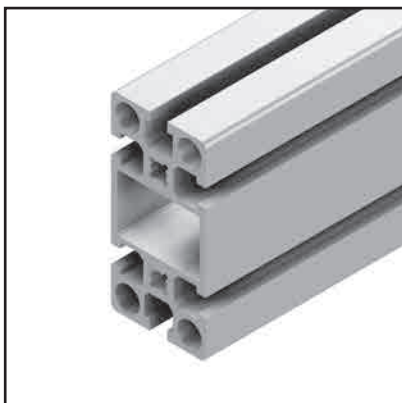
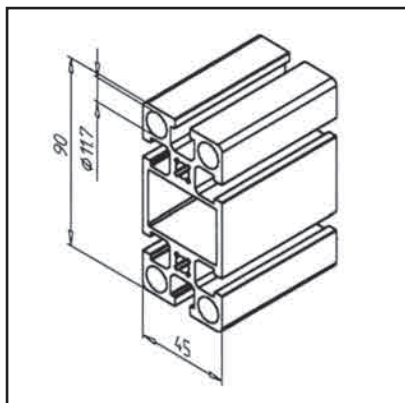
- General constructions
- The hollow chamber is designed for receiving and guiding counterweights

- MiniTec power-lock fastener
- Angle 19 / 25 / 45 / 45 x 90 GD-Z
- Bolt connector

PROFILE 45 X 90

Part no.

20.1009/0



TECHN. DATA / ITEMS SUPPLIED

APPLICATIONS

ASSEMBLY

- Aluminium, extruded, anodized E6/EV1
- $I_x = 113.205 \text{ cm}^4$
- $I_y = 28.584 \text{ cm}^4$
- $w_x = 25.156 \text{ cm}^3$
- $w_y = 12.704 \text{ cm}^3$
- Weight = 3.667 kg/m
- Bar length = 6 m
- Packing unit = 24 m

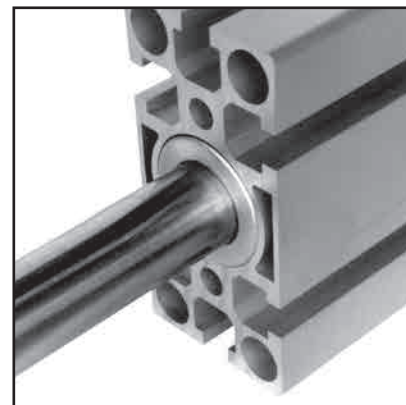
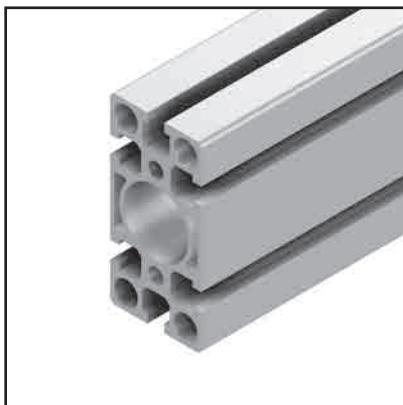
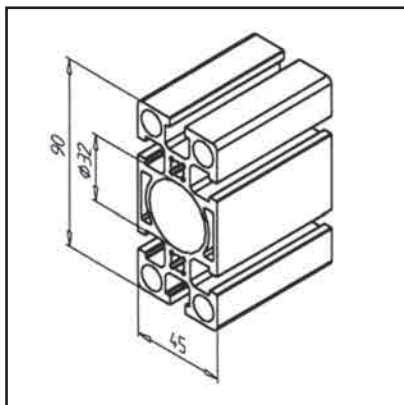
- General heavy duty construction
- 4 cavities for compressed air piping
- Cavity is not suitable for counterweights

- MiniTec power-lock fastener
- Angle 25 / 45 / 90
- Bolt connector
- The $\varnothing 11.7 \text{ mm}$ holes can be bored with G 1/4 for holding screw plugs or pneumatic connections
- Lateral connections G 1/8" direct into the profile

PROFILE 45 X 90 S

Part no.

20.1017/0

**TECHN. DATA / ITEMS SUPPLIED**

- Aluminium, extruded, anodized E6/EV1
- $I_x = 113.487 \text{ cm}^4$
- $I_y = 30.719 \text{ cm}^4$
- $w_x = 25.219 \text{ cm}^3$
- $w_y = 13.653 \text{ cm}^3$
- Weight = 3.860 kg/m
- Bar length = 6 m
- Packing unit = 24 m

APPLICATIONS

- All kinds of constructions
- Linear guides LB as slide
- Column guides
- Implementation as compressed air line with base and transport plate and sealing set
- Central bore $\varnothing 32$ mm for ball-bushings LME 20, for ball-bearings 6201 or 6002, for compressed air piping or guiding of hydraulic add-in cylinders

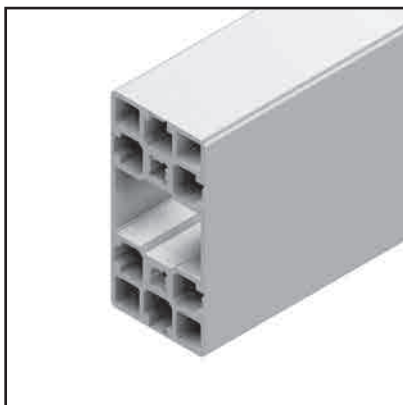
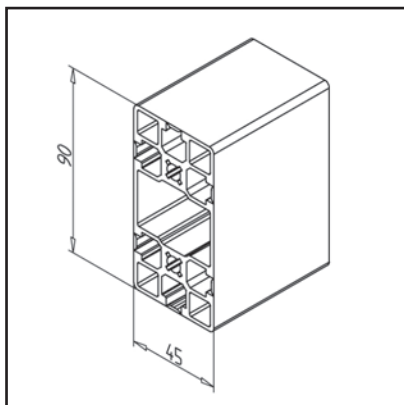
ASSEMBLY

- MiniTec power-lock fastener
- Mounting bracket 45 or 90
- Screw connection

PROFILE 45 X 90 G

Part no.

20.1015/0

**TECHN. DATA / ITEMS SUPPLIED**

- Aluminium, extruded, anodized E6/EV1
- $I_x = 101.241 \text{ cm}^4$
- $I_y = 25.318 \text{ cm}^4$
- $w_x = 22.498 \text{ cm}^3$
- $w_y = 11.252 \text{ cm}^3$
- Weight = 3.191 kg/m
- Bar length = 6 m
- Packing unit = 24 m

APPLICATIONS

- All types of constructions, specifically for high hygiene requirements in the food industry, medical technology, bottling of beverages
- Guide for internal counterweights in a central hollow chamber

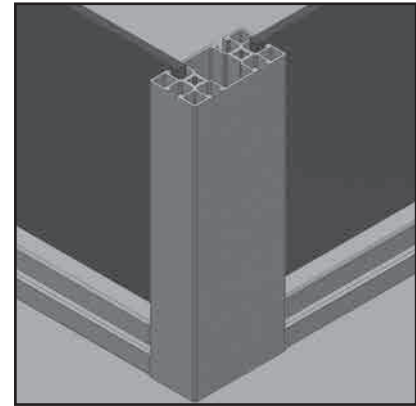
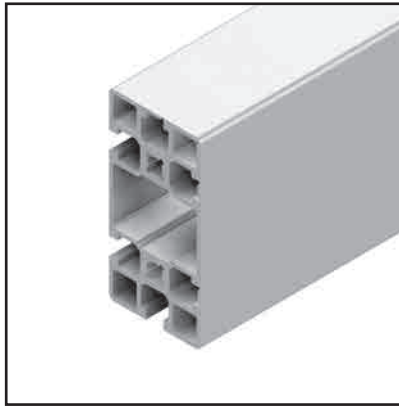
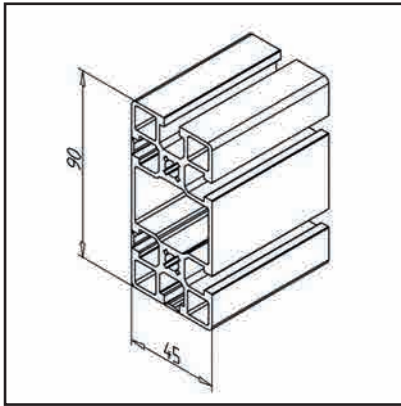
ASSEMBLY

- MiniTec power-lock fastener
- All 6 grooves can be opened up to the length desired
- closed grooves can be opened with the groove opener **part no. 26.0815/0** to the desired length

PROFILE 45 X 90 2 G

Part no.

20.1081/0



TECHN. DATA / ITEMS SUPPLIED

- Aluminium, extruded, anodized E6/EV1
- $I_x = 98.137 \text{ cm}^4$
- $I_y = 24.317 \text{ cm}^4$
- $w_x = 21.808 \text{ cm}^3$
- $w_y = 10.807 \text{ cm}^3$
- Weight = 3.108 kg/m
- Bar length = 6 m
- Packing unit = 24 m

APPLICATIONS

- Grooves expandable
- All types of constructions, specifically for high hygiene requirements in the food industry, medical technology, bottling of beverages
- Guide for internal counterweights in a central hollow chamber

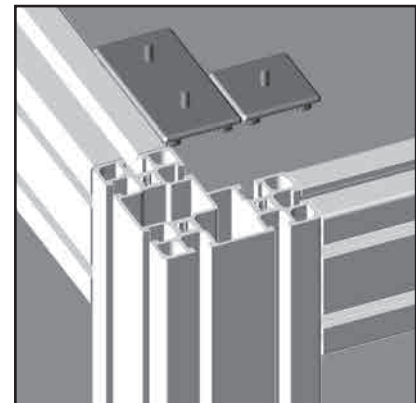
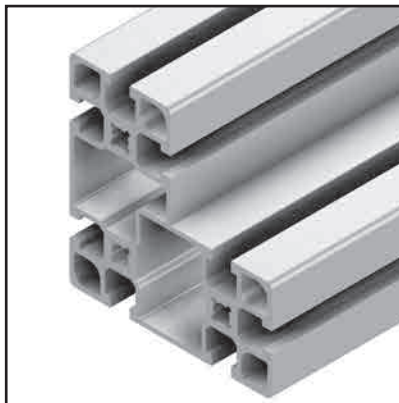
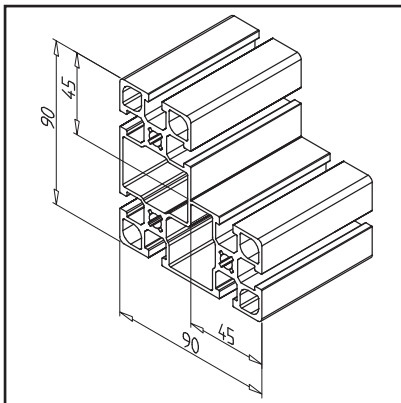
ASSEMBLY

- MiniTec power-lock fastener
- closed grooves can be opened with the groove opener **part no. 26.0815/0** to the desired length

PROFIL 90 X 90 X 45

Part no.

20.0984/0



TECHN. DATA / ITEMS SUPPLIED

- Aluminium, extruded, anodized E6/EV1
- $I_x = 127.588 \text{ cm}^4$
- $I_y = 127.459 \text{ cm}^4$
- $w_x = 24.971 \text{ cm}^3$
- $w_y = 24.895 \text{ cm}^3$
- Weight = 4.458 kg/m
- Bar length = 6 m
- Packing unit = 12 m

APPLICATIONS

- All kinds of constructions
- Tables
- display windows, showcases
- Framework constructions
- One chamber can be used to guide counterweight 45

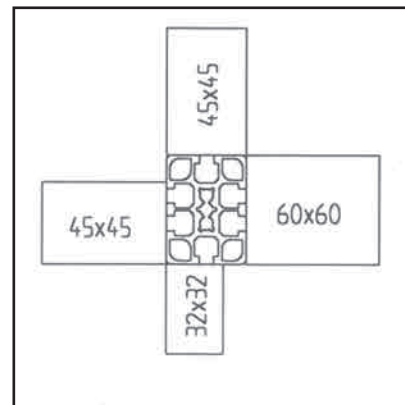
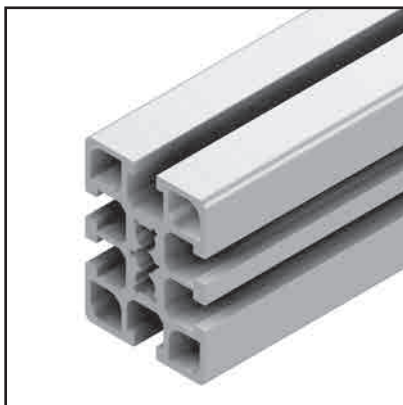
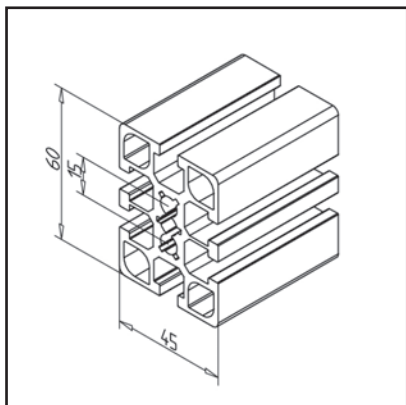
ASSEMBLY

- MiniTec power-lock fastener
- Screw connection
- Mounting bracket 45 or 90
- Base and transport plate 90x90x45 **part no. 21.2505/0**

PROFILE 45 X 60 F

Part no.

20.1023/0

**TECHN. DATA / ITEMS SUPPLIED**

- Aluminium, extruded, anodized E6/EV1
- $I_x = 32.068 \text{ cm}^4$
- $I_y = 17.587 \text{ cm}^4$
- $w_x = 10.689 \text{ cm}^3$
- $w_y = 7.816 \text{ cm}^3$
- Weight = 2.603 kg/m
- Bar length = 6 m
- Packing unit = 24 m

APPLICATIONS

- General constructions
- Corner posts in large safety devices

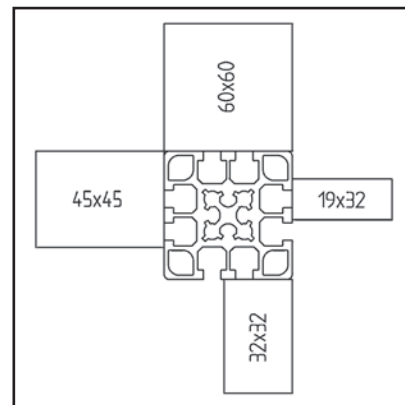
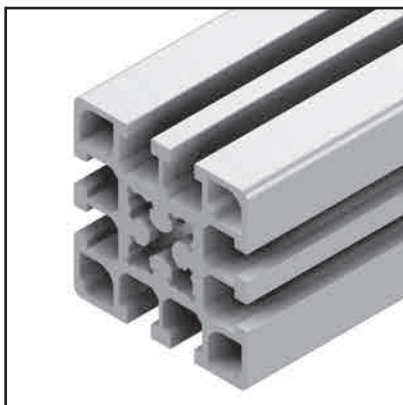
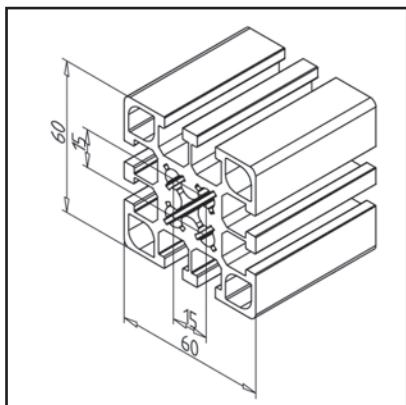
ASSEMBLY

- MiniTec power-lock fastener
- Angle 19 / 25 / 45 / 45 x 90 GD-Z
- Central boring for thread M8

PROFILE 60 X 60 F

Part no.

20.1049/0

**TECHN. DATA / ITEMS SUPPLIED**

- Aluminium, extruded, anodized E6/EV1
- $I_x = 40.715 \text{ cm}^4$
- $I_y = 40.715 \text{ cm}^4$
- $w_x = 13.571 \text{ cm}^3$
- $w_y = 13.571 \text{ cm}^3$
- Weight = 3.655 kg/m
- Bar length = 6 m
- Packing unit = 24 m

APPLICATIONS

- General constructions
- Corner posts in large safety devices

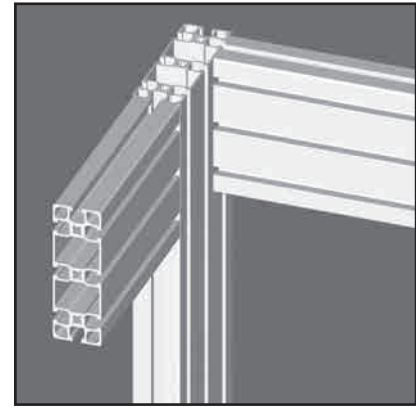
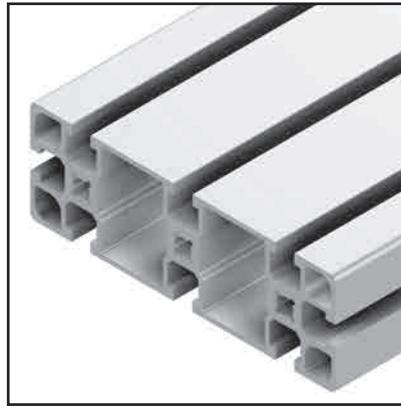
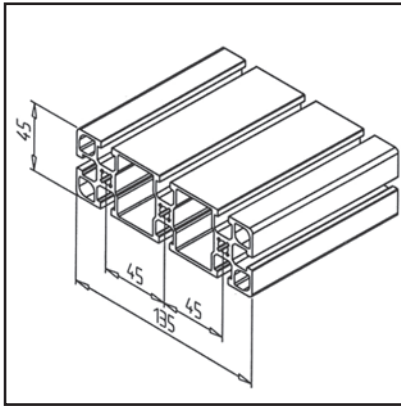
ASSEMBLY

- MiniTec power-lock fastener
- Angle 19 / 25 / 45 / 45 x 90 GD-Z
- Central boring for thread M10

PROFILE 45 X 135 F

Part no.

20.1087/0



TECHN. DATA / ITEMS SUPPLIED

- Aluminium, extruded, anodized E6/EV1
- $I_x = 34.958 \text{ cm}^4$
- $I_y = 307.866 \text{ cm}^4$
- $w_x = 15.537 \text{ cm}^3$
- $w_y = 45.609 \text{ cm}^3$
- Weight = 4.319 kg/m
- Bar length = 6 m
- Packing unit = 12 m

APPLICATIONS

- General constructions
- The hollow chamber is designed for receiving and guiding counterweights

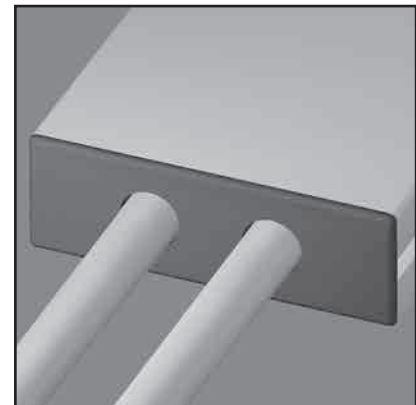
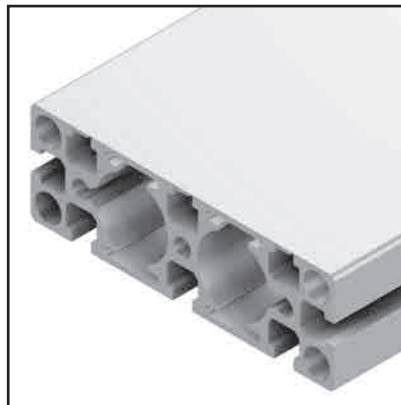
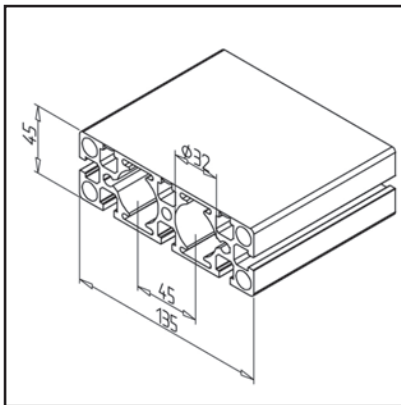
ASSEMBLY

- MiniTec power-lock fastener
- Angle 19 / 25 / 45 / 45 x 90 GD-Z
- Bolt connector

PROFILE 45 X 135 1G

Part no.

20.1078/0



TECHN. DATA / ITEMS SUPPLIED

- Aluminium, extruded, anodized E6/EV1
- $I_x = 47.064 \text{ cm}^4$
- $I_y = 359.242 \text{ cm}^4$
- $w_x = 20.618 \text{ cm}^3$
- $w_y = 53.221 \text{ cm}^3$
- Weight = 5.570 kg/m
- Bar length = 6 m
- Packing unit = 12 m

APPLICATIONS

- All types of constructions, specifically for high hygiene requirements in the food industry, medical technology, bottling of beverages
- Linear guides LB as slide
- Central bore $\varnothing 32$ mm for ball-bushings LME 20, for ball-bearings 6201 or 6002, for compressed air piping or guiding of hydraulic add-in cylinders

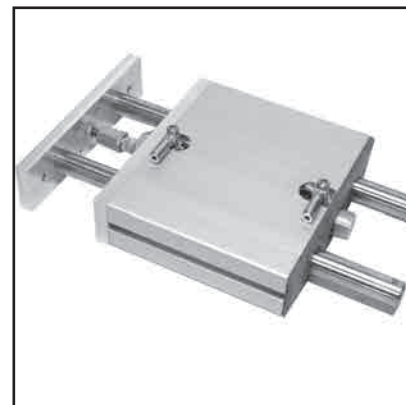
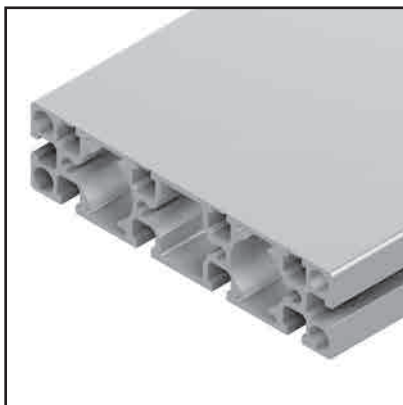
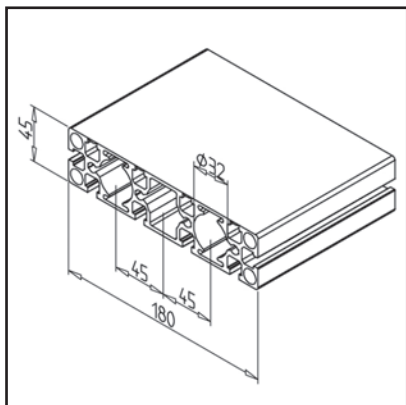
ASSEMBLY

- MiniTec power-lock fastener
- closed grooves can be opened with the groove opener **part no. 26.0815/0** to the desired length

PROFILE 45 X 180 1G

Part no.

20.1079/0



TECHN. DATA / ITEMS SUPPLIED

- Aluminium, extruded, anodized E6/EV1
- $I_x = 61.015 \text{ cm}^4$
- $I_y = 810.885 \text{ cm}^4$
- $w_x = 26.704 \text{ cm}^3$
- $w_y = 90.097 \text{ cm}^3$
- Weight = 6.950 kg/m
- Bar length = 6 m
- Packing unit = 12 m

APPLICATIONS

- All types of constructions, specifically for high hygiene requirements in the food industry, medical technology, bottling of beverages
- Linear guides LB as slide
- Central bore $\varnothing 32$ mm for ball-bushings LME 20, for ball-bearings 6201 or 6002, for compressed air piping or guiding of hydraulic add-in cylinders

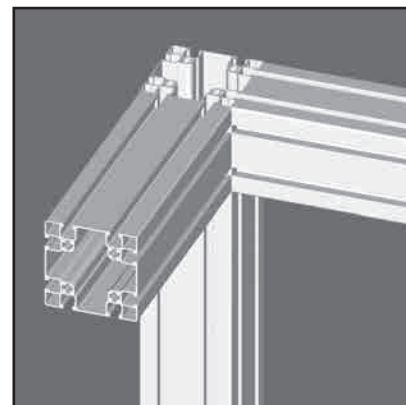
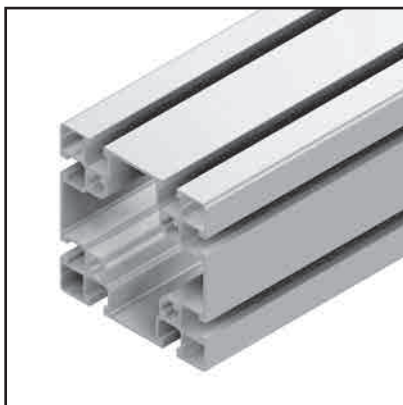
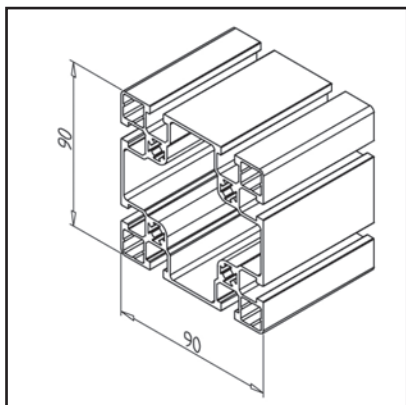
ASSEMBLY

- MiniTec power-lock fastener
- closed grooves can be opened with the groove opener **part no. 26.0815/0** to the desired length

PROFILE 90 X 90 UL

Part no.

20.0999/0



TECHN. DATA / ITEMS SUPPLIED

- Aluminium, extruded, anodized E6/EV1
- $I_x = 132.001 \text{ cm}^4$
- $I_y = 132.001 \text{ cm}^4$
- $w_x = 29.334 \text{ cm}^3$
- $w_y = 29.334 \text{ cm}^3$
- Weight = 3.776 kg/m
- Bar length = 6 m
- Packing unit = 12 m

APPLICATIONS

- Weight optimized constructions
- Guide in the central hollow chamber for internal balancing weight for lifting doors

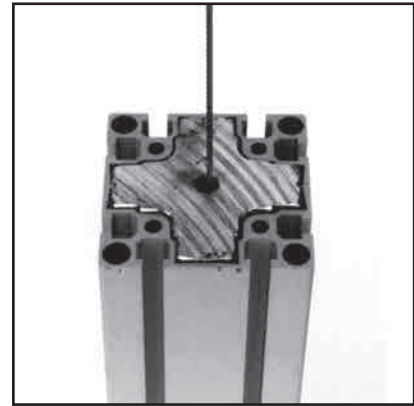
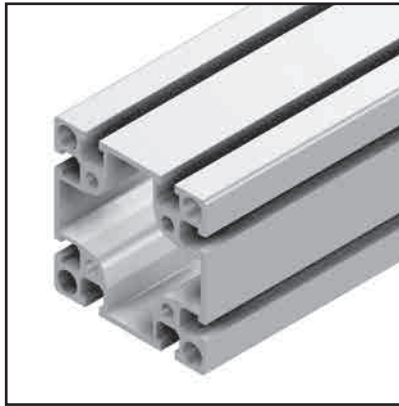
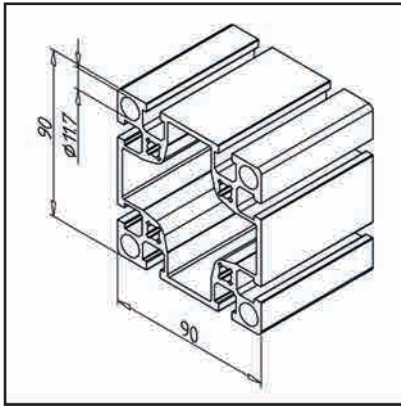
ASSEMBLY

- MiniTec power-lock fastener
- Mounting bracket 45 or 90
- Screw connection
- Bolt connector

PROFILE 90 X 90 L

Part no.

20.1010/0



TECHN. DATA / ITEMS SUPPLIED

- Aluminium, extruded, anodized E6/EV1
- $I_x = 186.26 \text{ cm}^4$
- $I_y = 186.26 \text{ cm}^4$
- $w_x = 41.391 \text{ cm}^3$
- $w_y = 41.391 \text{ cm}^3$
- Weight = 5.222 kg/m
- Bar length = 6 m
- Packing unit = 12 m

APPLICATIONS

- All types of heavy constructions, designed as 4-fold compressed air line and compressed air reservoir
- Guide in the central hollow chamber for internal balancing weight for lifting doors

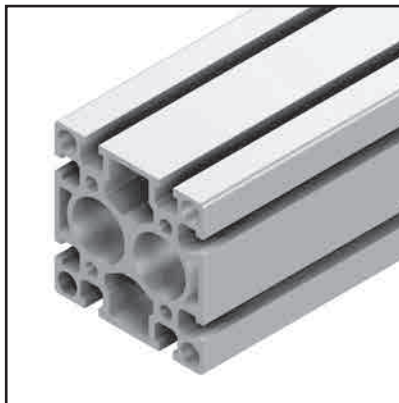
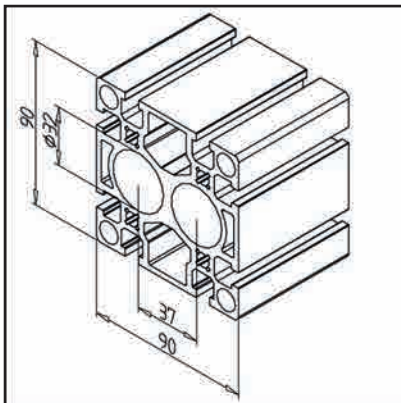
ASSEMBLY

- MiniTec power-lock fastener
- Mounting bracket 45 or 90
- Screw connection
- Bolt connector

PROFILE 90 X 90 S

Part no.

20.1019/0



TECHN. DATA / ITEMS SUPPLIED

- Aluminium, extruded, anodized E6/EV1
- $I_x = 208.888 \text{ cm}^4$
- $I_y = 223.949 \text{ cm}^4$
- $w_x = 46.419 \text{ cm}^3$
- $w_y = 49.766 \text{ cm}^3$
- Weight = 7.514 kg/m
- Bar length = 6 m
- Packing unit = 12 m

APPLICATIONS

- All types of heavy constructions
- Linear guides LB as slide
- Central bore $\text{Ø } 32 \text{ mm}$ for ball-bushings LME 20, for ball-bearings 6201 or 6002, for compressed air piping or guiding of hydraulic add-in cylinders

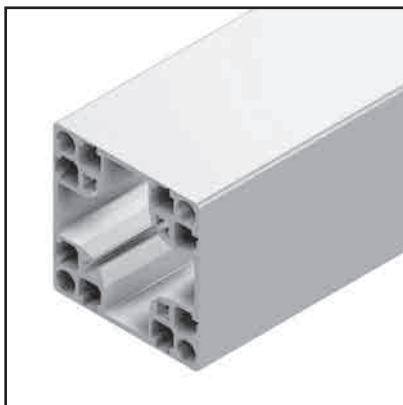
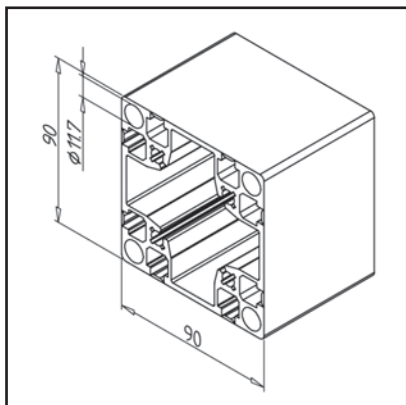
ASSEMBLY

- MiniTec power-lock fastener
- Mounting bracket 45 or 90
- Screw connection

PROFILE 90 X 90 G

Part no.

20.1082/0

**TECHN. DATA / ITEMS SUPPLIED**

- Aluminium, extruded, anodized E6/EV1
- $I_x = 195.271 \text{ cm}^4$
- $I_y = 195.271 \text{ cm}^4$
- $w_x = 43.393 \text{ cm}^3$
- $w_y = 43.393 \text{ cm}^3$
- Weight = 5.329 kg/m
- Bar length = 6 m
- Packing unit = 12 m

APPLICATIONS

- Grooves expandable
- All types of constructions, specifically for high hygiene requirements in the food industry, medical technology, bottling of beverages
- Guide for internal counterweights in a central hollow chamber

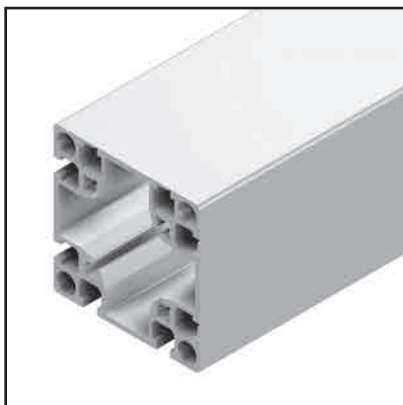
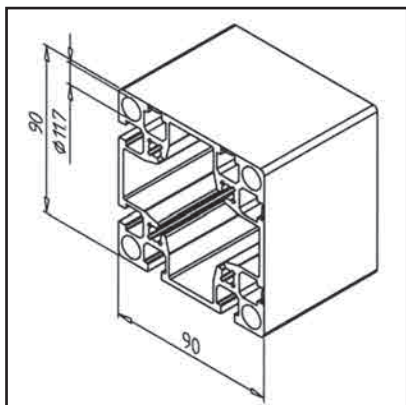
ASSEMBLY

- MiniTec power-lock fastener
- closed grooves can be opened with the groove opener **part no. 26.0815/0** to the desired length

PROFILE 90 X 90 2 G

Part no.

20.1044/0

**TECHN. DATA / ITEMS SUPPLIED**

- Aluminium, extruded, anodized E6/EV1
- $I_x = 190.169 \text{ cm}^4$
- $I_y = 190.169 \text{ cm}^4$
- $w_x = 41.825 \text{ cm}^3$
- $w_y = 41.825 \text{ cm}^3$
- Weight = 5.217 kg/m
- Bar length = 6 m
- Packing unit = 12 m

APPLICATIONS

- Grooves expandable
- All types of constructions, specifically for high hygiene requirements in the food industry, medical technology, bottling of beverages
- Guide for internal counterweights in a central hollow chamber

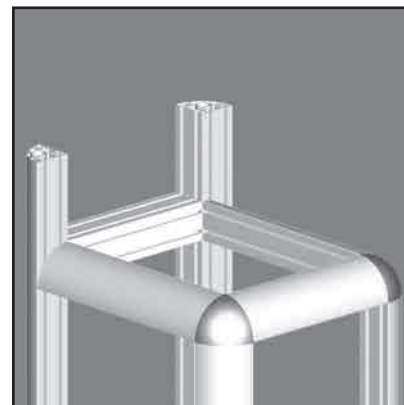
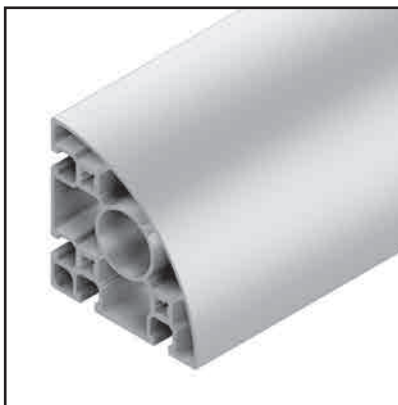
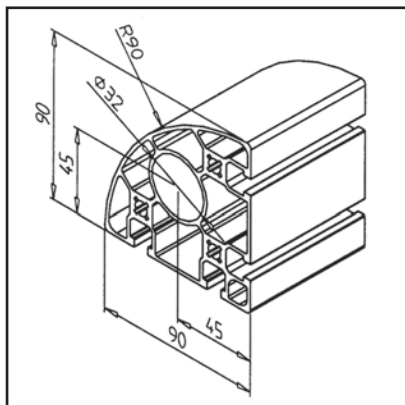
ASSEMBLY

- MiniTec power-lock fastener
- closed grooves can be opened with the groove opener **part no. 26.0815/0** to the desired length

PROFILE 90 R 90°

Part no.

20.1091/0



TECHN. DATA / ITEMS SUPPLIED

APPLICATIONS

ASSEMBLY

- Aluminium, extruded, anodized E6/EV1
- $I_x = 113.389 \text{ cm}^4$
- $I_y = 113.389 \text{ cm}^4$
- $w_x = 21.874 \text{ cm}^3$
- $w_y = 21.874 \text{ cm}^3$
- Weight = 4.265 kg/m
- Bar length = 6 m
- Packing unit = 12 m

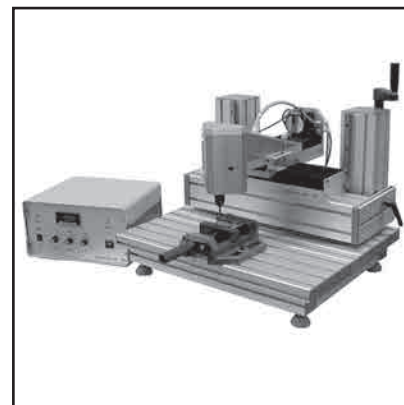
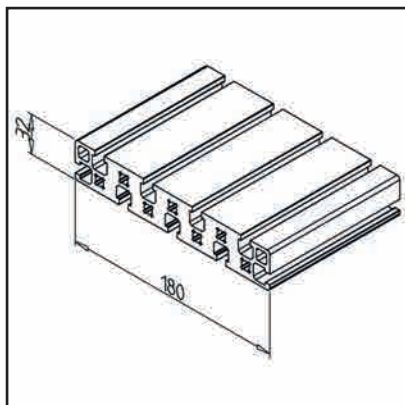
- Tables, frames
- All kinds of constructions

- MiniTec power-lock fastener
- Angles
- Bolt connector
- End cap, **part no. 22.1021/1**
- Connecting plate M10 - M20
- Corner Connection 90 R 90°

PROFILE 32 X 180

Part no.

20.1016/0



TECHN. DATA / ITEMS SUPPLIED

APPLICATIONS

ASSEMBLY

- Aluminium, extruded, anodized E6/EV1
- $I_x = 33.804 \text{ cm}^4$
- $I_y = 843.825 \text{ cm}^4$
- $w_x = 21.068 \text{ cm}^3$
- $w_y = 93.758 \text{ cm}^3$
- Weight = 9.539 kg/m
- Bar length = 6 m
- Packing unit = 6 m

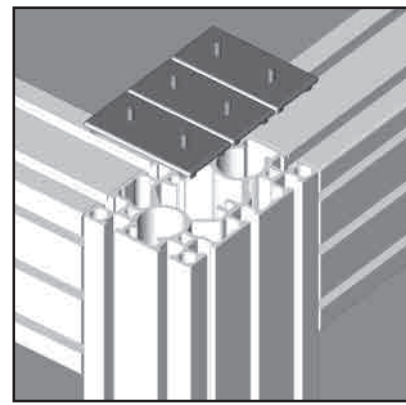
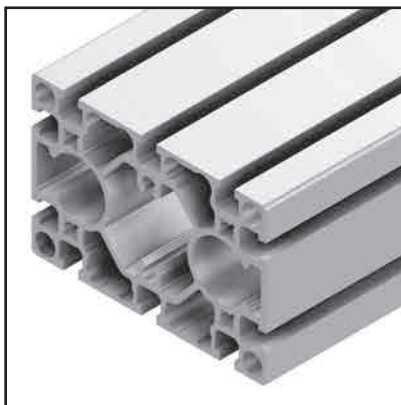
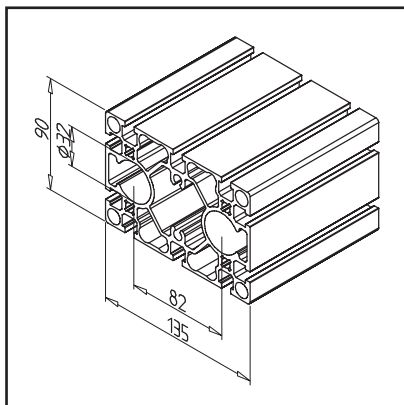
- Slide plate LR
- Tensioning area
- Base plates
- All types of heavy constructions

- MiniTec power-lock fastener
- Mounting bracket 45 or 90
- Screw connection

PROFIL 90 X 135

Part no.

20.1148/0

**TECHN. DATA / ITEMS SUPPLIED**

- Aluminium, extruded, anodized E6/EV1
- $I_x = 286.480 \text{ cm}^4$
- $I_y = 631.058 \text{ cm}^4$
- $w_x = 63.662 \text{ cm}^3$
- $w_y = 93.490 \text{ cm}^3$
- Weight = 8.992 kg/m
- Bar length = 6 m
- Packing unit = 6 m

APPLICATIONS

- Central bore $\varnothing 32$ mm for ball-bushings LME 20, for ball-bearings 6201 or 6002, for compressed air piping or guiding of hydraulic add-in cylinders
- Linear guides LB as slide
- All types of heavy constructions

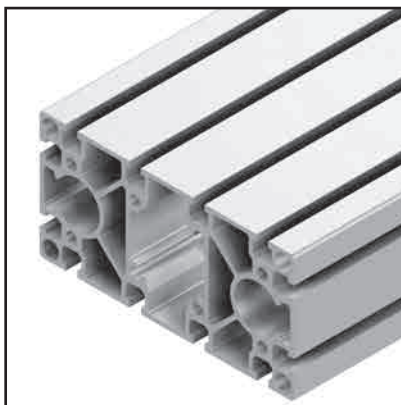
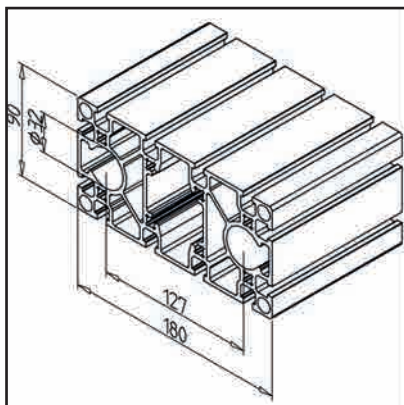
ASSEMBLY

- Screw connection
- MiniTec power-lock fastener
- Mounting bracket 45 or 90

PROFILE 90 X 180 S

Part no.

20.1013/0

**TECHN. DATA / ITEMS SUPPLIED**

- Aluminium, extruded, anodized E6/EV1
- $I_x = 376.784 \text{ cm}^4$
- $I_y = 1421.865 \text{ cm}^4$
- $w_x = 83.729 \text{ cm}^3$
- $w_y = 157.983 \text{ cm}^3$
- Weight = 11.482 kg/m
- Bar length = 6 m
- Packing unit = 6 m

APPLICATIONS

- All types of heavy constructions
- Linear guides LB as slide
- Central bore $\varnothing 32$ mm for ball-bushings LME 20, for ball-bearings 6201 or 6002, for compressed air piping or guiding of hydraulic add-in cylinders

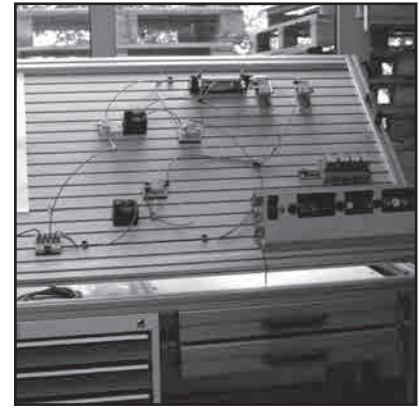
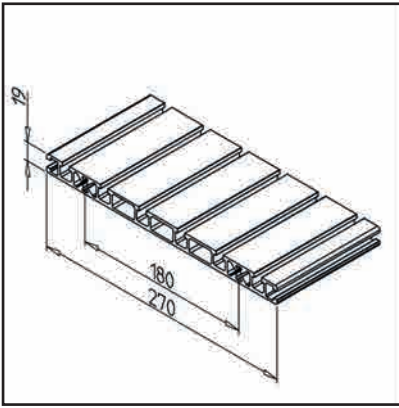
ASSEMBLY

- MiniTec power-lock fastener
- Mounting bracket 45 or 90
- Screw connection

PROFILE 270 X 19

Part no.

20.1077/0



TECHN. DATA / ITEMS SUPPLIED

- Aluminium, extruded, anodized E6/EV1
- $I_x = 10.348 \text{ cm}^4$
- $I_y = 1352.197 \text{ cm}^4$
- $w_x = 10.167 \text{ cm}^3$
- $w_y = 100.162 \text{ cm}^3$
- Weight = 5.612 kg/m
- Bar length = 6 m
- Packing unit = 18 m

APPLICATIONS

- Mounting plates
- Workstations
- Training set-ups for training and further education with universal clamping base **part no. P2.0060/0**
- Demonstration units

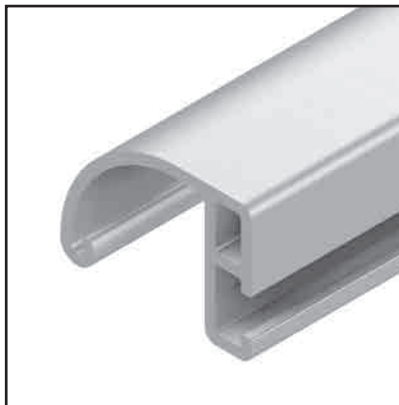
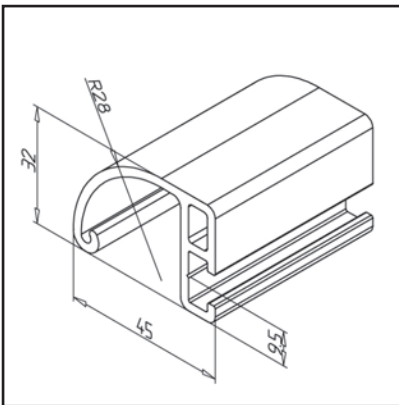
ASSEMBLY

- MiniTec power-lock fastener
- Screw connection
- Bolt connector

HANDLE PROFILE ALUMINIUM

Part no.

20.1045/0



TECHN. DATA / ITEMS SUPPLIED

- Aluminium, extruded, anodized E6/EV1
- $I_x = 3.531 \text{ cm}^4$
- $I_y = 7.654 \text{ cm}^4$
- $w_x = 1.985 \text{ cm}^3$
- $w_y = 2.856 \text{ cm}^3$
- Weight = 0.890 kg/m
- Bar length = 6 m

APPLICATIONS

- Handle of diverse lengths
- Sheet edges
- Work station end points
- Cover ledge for cable, pneumatic conducts

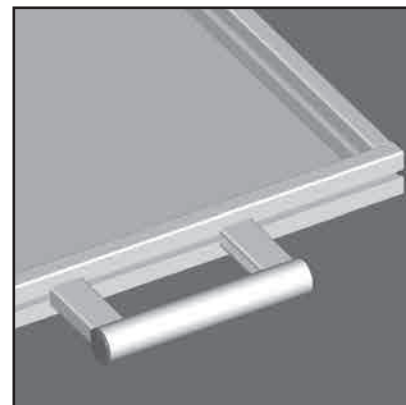
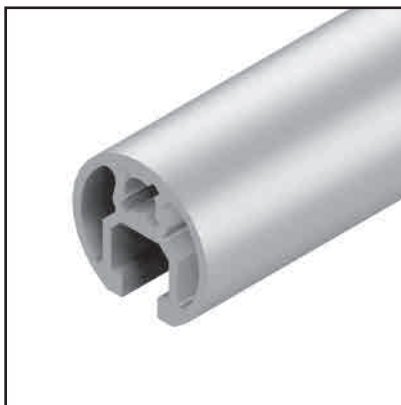
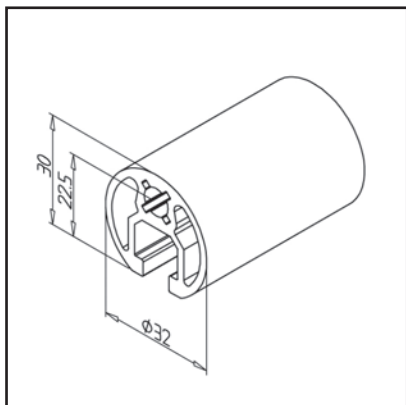
ASSEMBLY

- Screw connection
- Angles
- Lateral cover with end cap left **part no. 22.1055/0** and right **part no. 22.1054/0**

HANDLE PROFILE 32

Part no.

20.1088/0

**TECHN. DATA / ITEMS SUPPLIED**

- Aluminium, extruded, anodized E6/EV1
- $I_x = 2.601 \text{ cm}^4$
- $I_y = 2.636 \text{ cm}^4$
- $w_x = 1.682 \text{ cm}^3$
- $w_y = 1.649 \text{ cm}^3$
- Weight = 0.911 kg/m
- Bar length = 6 m
- Packing unit = 84 m

APPLICATIONS

- Handles of different lengths for doors, drawers, handrails
- Edging of surface elements or posters up to 8 mm
- Profile section for suspending roller tracks or similar

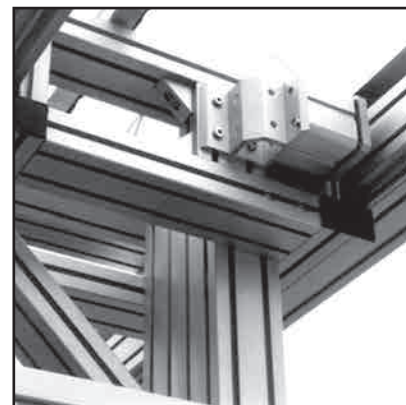
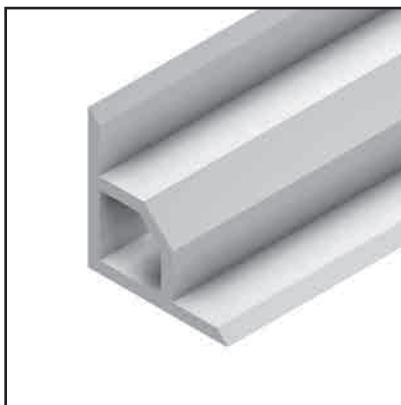
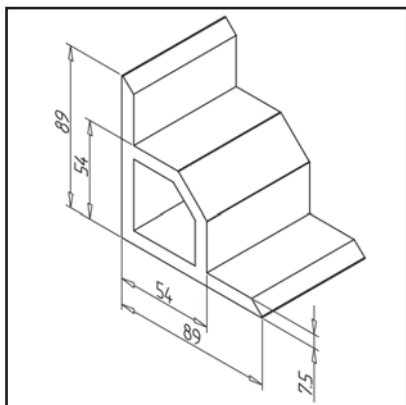
ASSEMBLY

- Angle 19 GD-Z, **part no. 21.2078/0**
- Bolt connector
- Screw connection
- Lateral cover with end cap for handle profile 32

ANGULAR PROFILE 89 X 89

Part no.

20.1011/0

**TECHN. DATA / ITEMS SUPPLIED**

- Aluminium, extruded, anodized E6/EV1
- $I_x = 105.416 \text{ cm}^4$
- $I_y = 105.416 \text{ cm}^4$
- $w_x = 17.413 \text{ cm}^3$
- $w_y = 17.413 \text{ cm}^3$
- Weight = 4.868 kg/m
- Bar length = 3 m
- Packing unit = 12 m

APPLICATIONS

- Consoles
- Contact areas
- Starting material for the production of custom mounting brackets

ASSEMBLY

- Screws M8 x 20 and square nuts M8

PROFILE CAPS

SELF-LOCKING PROFILE CAPS FOR ALUMINIUM PROFILES

Due to unprotected profile ends, dirt and foreign bodies can penetrate into the inside of the profiles, which can lead to hygienic problems not only in sensitive environments. All this is prevented by profile caps: The profiles remain clean and protected, the risk of cutting injuries is minimized. Last but not least, they harmoniously round off the look of the aluminium profiles. In practice, however, it is annoying for users when these functions are no longer guaranteed due to loose and falling out profile caps.

This problem is effectively solved with our self-locking profile

caps. These are permanently anchored in the profile by means of an integrated safety pin. It therefore remains at the intended location even under extreme conditions and under the toughest conditions. True to the motto "The Art of Simplicity", the Minitec profile caps are very easy to use: The locking pin is hammered flush into the profile using a plastic hammer. Nevertheless, the profile cap can be removed effortlessly: The pins are punched through with a pin four millimeters in diameter. Separately available spare pins make the profile caps reusable.



Insert cap



Hammer the pin



Profile stays clean and protected

MINITEC ALUMINIUM PROFILE CAPS FOR HEAVY LOADS



Thread M08 shape



Tighten the cap
(Flat headed screw M08x10)



PROFILE CAPS

Profile sections	ABS grey	Al anodized (fastening screw included)	VA
------------------	----------	---	----

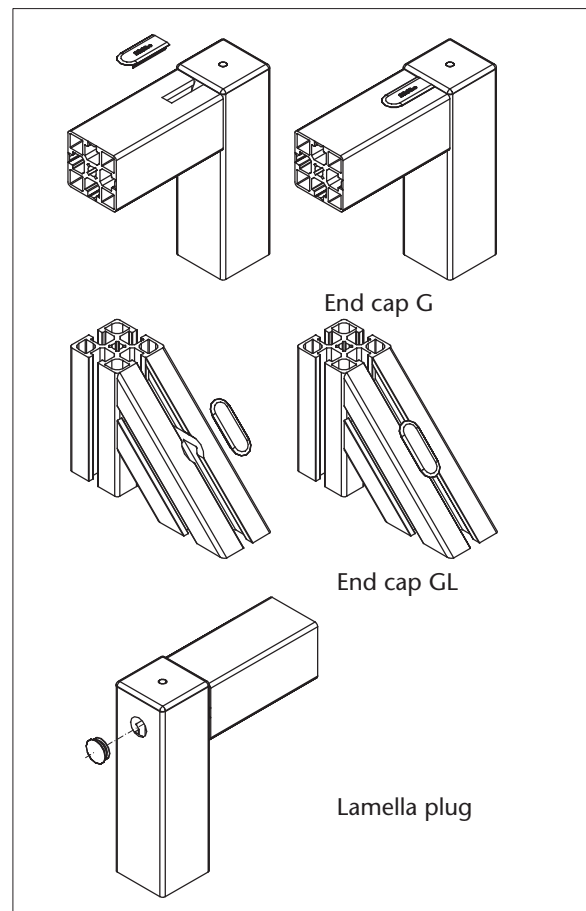
Profile series 30 (Thickness 3 mm)			
23x16	22.0994/1 *		
16x30	22.0981/1 *		
23x23	22.0992/1 *		
23x30	22.0993/1 *		
30x30	22.1146/1 *	22.1149/2	
30R90°	22.1144/1 *		
30R60°	22.1169/1 *		
30R45°	22.1168/1 *		
30R30°	22.1167/1 *		
30x60	22.1134/1 *		
60x60x30	22.0978/1 *		

Profile series 45 (Thickness 3 mm)			
19x32	22.1220/1 *	22.1060/2	
19x45	22.1001/1 *	22.1064/2	
45x19	22.1136/1 *		
32x32	22.1002/1 *	22.1062/2	
45x32	22.1003/1 *	22.1065/2	
45x32 clamp profile	22.1046/1	22.1065/2	
45x45	22.1004/1 *	22.1067/2	22.1067/5
45R4	22.1137/1 *		
45R90°	22.0996/1 *	22.0996/2	
45R60°	22.1018/1 *	22.1018/2	
45R45°	22.1017/1 *	22.1017/2	
45R30°	22.1019/1 *	22.1019/2	
Profile height adjustment	22.0979/1		
45/45°	22.0995/1 *		
45/22,5°	22.1052/1		
19x90	22.1014/1		
90x32	22.0982/1		
45x90	22.1007/1 *	22.1068/2	
45x60	22.1058/1		
60x60	22.1057/1		
45x135	22.1049/1		
45x180	22.1048/1		
90x90	22.0983/1 *	22.1008/2	
90R90°	22.1021/1		
32x180	22.1059/1		
90x180	2x 22.0983/1*	2x 22.1008/2	
270x19	3x 22.1014/1		
HANDLE PROFILE	right 22.1054/0 left 22.1055/0		
HANDLE PROFILE 32	22.1162/1 *		

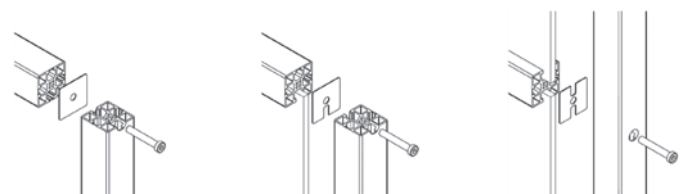
* With pin

ACCESSORIES	material	Part No.
Flat head screw M8x10 for fixing caps made of aluminum or stainless steel	VA	21.1666/0
Replacement pins for caps with hammer taps (10 pack)	ABS grey	22.1009/1

Other covers	material	Part No.
End cap G for G-Profile 45	PA6 grey	22.1056/0
End cap GL for G-Profile 45	PA6 grey	22.1208/1
End cap G for G-Profile 30	PA6 grey	22.1182/1
End cap GL for G-Profile 30	PA6 grey	22.1183/1
Lamella plug 7	PE grey	22.1200/1
Plug 7	PE grey	22.1215/1
Lamella plug 9	PE grey	22.1201/1
Lamella plug 15	PE grey	22.1202/1
Lamella plug 22	PE grey	22.1209/1



SEALING	material	Part No.
Seal plate 45	Silicon	24.1117/0
Seal plate 45 with slot	Silicon	24.1116/0
Seal plate 45 with double-slot	Silicon	24.1118/0



- Seal plate 45

- Seal plate 45 with slot

- Seal plate 45 with double-slot