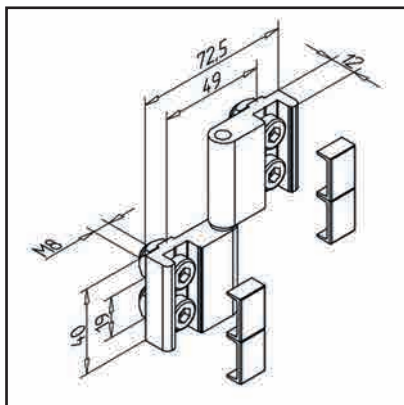
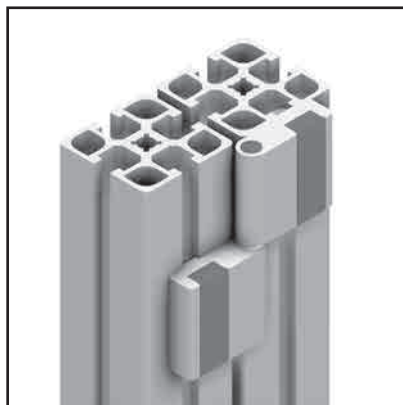


DETACHABLE HINGE 45



TECHN. DATA / ITEMS SUPPLIED

- Aluminium, anodized E6/EV1
- with stainless steel shaft
- With fastening material steel, zinc plated
- End caps
- Order with position fixing nuts, **part no. 21.1096/7**
- load capacity up to 400 N
- Weight = 0.151 kg/piece

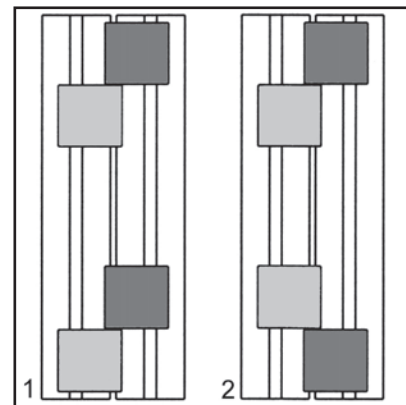


APPLICATIONS

- Detachable doors, hatches, moving parts on profiles 45
- Connection of profiles 45 at various angles
- Suspension of protective fields
- If the hinges are arranged in the opposite direction, non-detachable and horizontally mounted structures can also be produced

Part no.

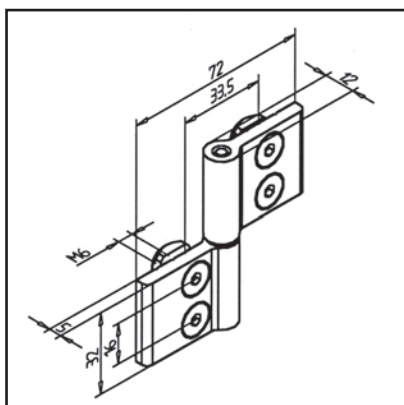
21.1096/0



ASSEMBLY

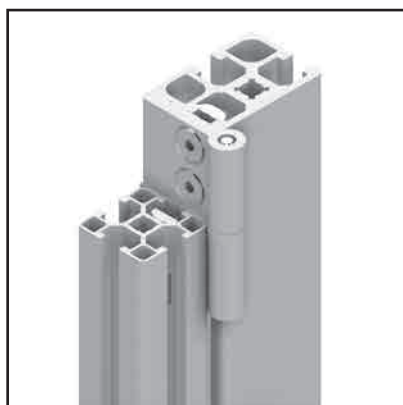
- Fasten to profile groove with supplied hardware.
- For fixing directly on surface elements or on profile surfaces we deliver hinge 45 without fixing element **part no. 21.1096/2**
- 1: lift removable
- 2: Arrangement is not detachable

DETACHABLE HINGE L 19/30



TECHN. DATA / ITEMS SUPPLIED

- Aluminium, anodized E6/EV1
- with stainless steel shaft
- With fastening material steel, zinc plated
- load capacity up to 400 N
- Weight = 0.089 kg/piece

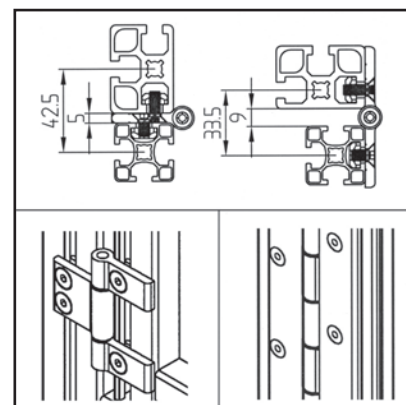


APPLICATIONS

- Detachable doors, hatches, moving parts to profiles 19, 32 and 45
- If the hinges are arranged in the opposite direction, non-detachable and horizontally mounted structures can also be produced
- Connecting profiles 19 and 30 at any angle

Part no.

21.1374/0



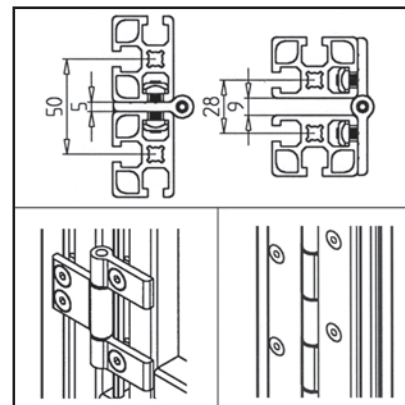
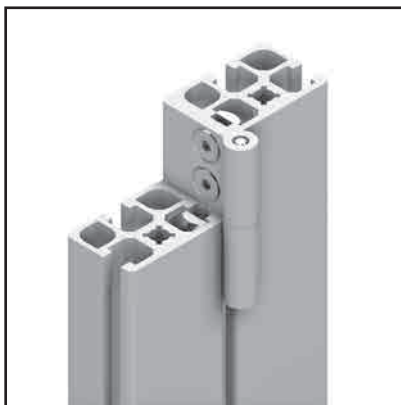
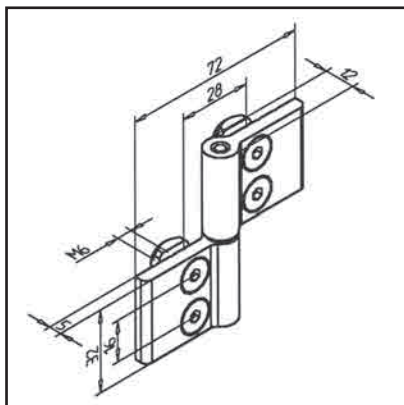
ASSEMBLY

- Fasten to profile groove with supplied hardware.
- The hinge profile 5GB **part no. 20.0093/0** (not anodized) is available for the production of hinges in variable lengths and bore spacings as well as piano hinges

DETACHABLE HINGE L 19/19

Part no.

21.1373/0

**TECHN. DATA / ITEMS SUPPLIED**

- Aluminium, anodized E6/EV1
- with stainless steel shaft
- With fastening material steel, zinc plated
- load capacity up to 400 N
- Weight = 0.089 kg/piece

APPLICATIONS

- Detachable doors, hatches, moving parts to profiles 19 and 32
- Suspension of protective fields
- If the hinges are arranged in the opposite direction, non-detachable and horizontally mounted structures can also be produced
- Connection of profiles 19 at various angles

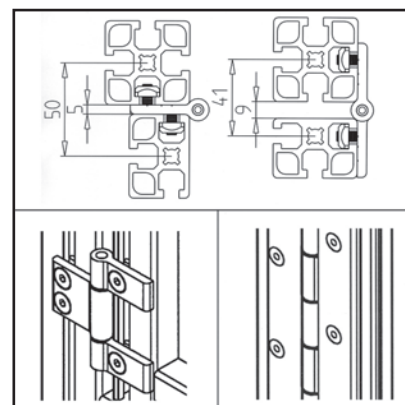
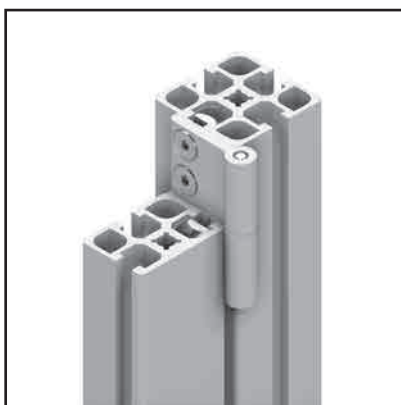
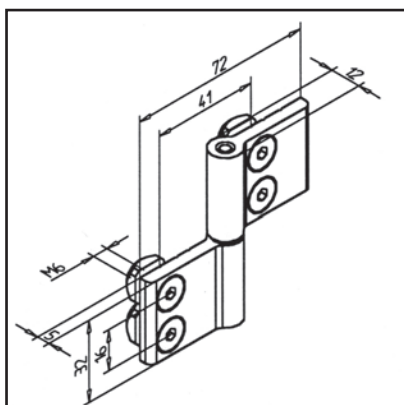
ASSEMBLY

- Fasten to profile groove with supplied hardware.
- The hinge profile 5GB **part no. 20.0093/0** (not anodized) is available for the production of hinges in variable lengths and bore spacings as well as piano hinges

DETACHABLE HINGE L 19/45

Part no.

21.1375/0

**TECHN. DATA / ITEMS SUPPLIED**

- Aluminium, anodized E6/EV1
- with stainless steel shaft
- With fastening material steel, zinc plated
- load capacity up to 400 N
- Weight = 0.089 kg/piece

APPLICATIONS

- Detachable doors, hatches, moving parts to profiles 19, 32 and 45
- Suspension of protective fields
- If the hinges are arranged in the opposite direction, non-detachable and horizontally mounted structures can also be produced
- Connecting profiles 19, 32 and 45 at any angle

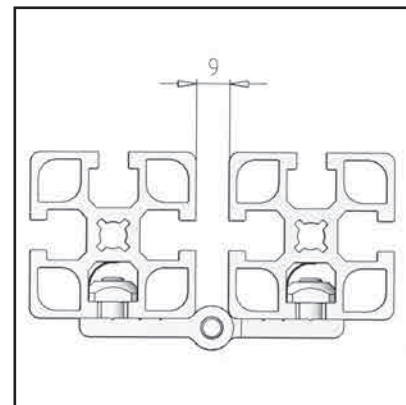
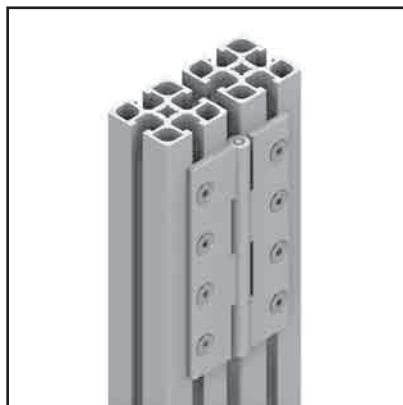
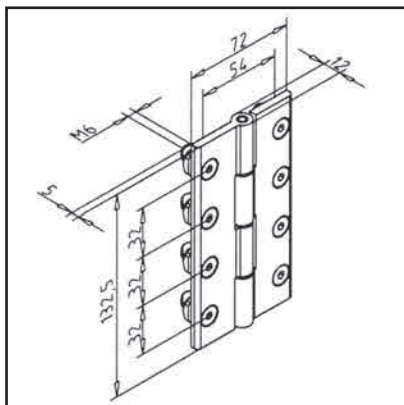
ASSEMBLY

- Fasten to profile groove with supplied hardware.
- The hinge profile 5GB **part no. 20.0093/0** (not anodized) is available for the production of hinges in variable lengths and bore spacings as well as piano hinges

DOOR HINGE LARGE

Part no.

21.0970/0

**TECHN. DATA / ITEMS SUPPLIED**

- Aluminium, anodized E6/EV1
- with stainless steel shaft
- With fastening material steel, zinc plated
- Weight = 0.235 kg/piece

APPLICATIONS

- Suitable for large doors and lids
- Guard units
- Connection of profiles at various angles

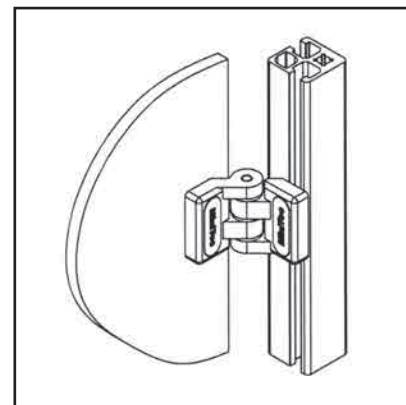
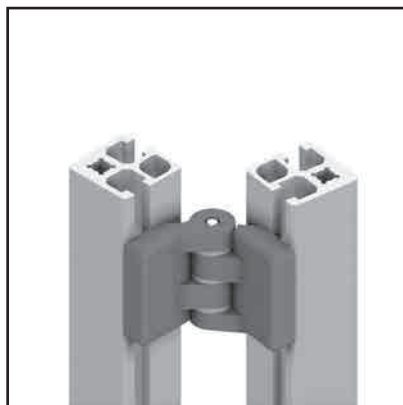
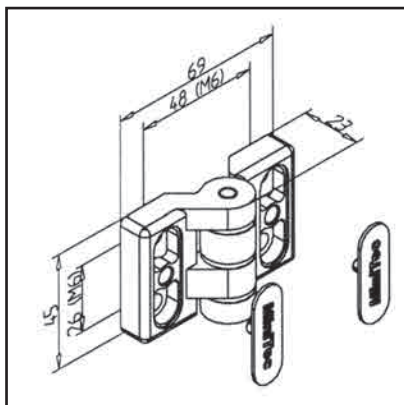
ASSEMBLY

- Screw tight to the profile groove with supplied hardware

FOLDING HINGE 19 S

Part no.

21.1044/0

**TECHN. DATA / ITEMS SUPPLIED**

- Aluminium, Pressure die-casting, powder-coated, grey
- Hinge pin, steel, galvanised
- End caps
- Without fastening kit
- load capacity up to 600 N
- Weight = 0.100 kg/piece

APPLICATIONS

- Suitable for larger doors and hatches of profiles 19 or 32
- Guard units
- Connection of profiles 19 and 32 at any angle

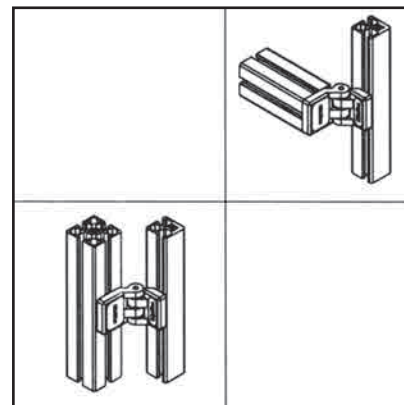
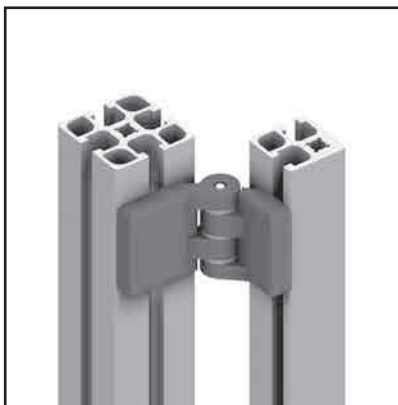
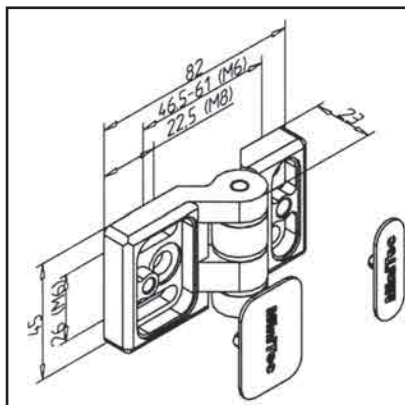
ASSEMBLY

- Fasten hinge halves each with 2 screws M6 x 18 and 2 square nut on profile, or fasten directly with screws on to surface elements according to material strength
- For heavy-duty applications use multiple hinges
- Swivel range up to 270°

FOLDING HINGE 32 S

Part no.

21.1055/0



TECHN. DATA / ITEMS SUPPLIED

- Aluminium, Pressure die-casting, powder-coated, grey
- Hinge pin, steel, galvanised
- End caps
- Without fastening kit
- load capacity up to 600 N
- Weight = 0.102 kg/piece

APPLICATIONS

- Suitable for large doors and lids
- Guard units
- Connecting profiles 19, 32 and 45 at any angle

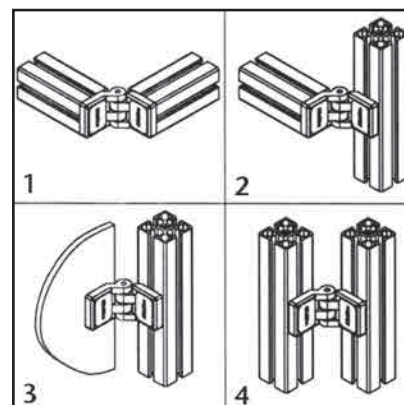
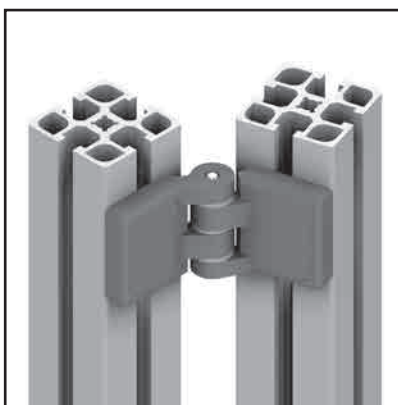
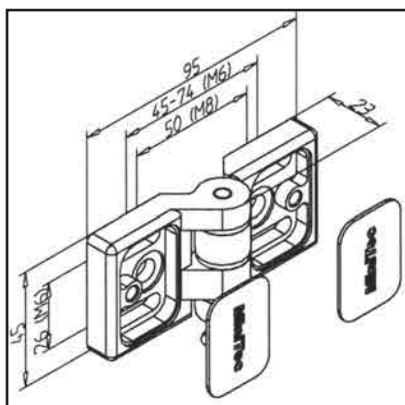
ASSEMBLY

- Fasten hinge with 2 M6 x 18 bolts and 2 square nuts on the profile groove or with screws corresponding to the material thickness directly on the surface elements
- Fasten other hinge half onto profile 45 x 45 with screw M8 x 30 or 2 screws M6 x 18
- For heavy-duty applications use multiple hinges
- Swivel range up to 270°

FOLDING HINGE 45 S

Part no.

21.1098/0



TECHN. DATA / ITEMS SUPPLIED

- Aluminium, Pressure die-casting, powder-coated, grey
- Hinge pin, steel, galvanised
- End caps
- Without fastening kit
- load capacity up to 600 N
- Weight = 0.099 kg/piece

APPLICATIONS

- Suitable for large doors and lids
- Guard units
- Connection of profiles at various angles
- For heavy-duty application use multiple hinges

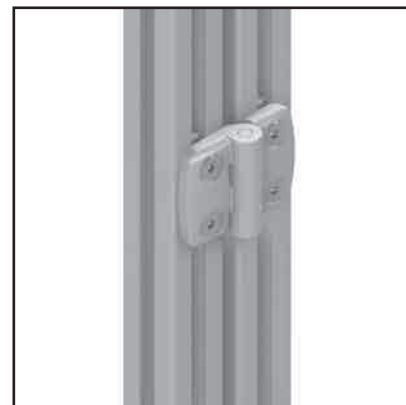
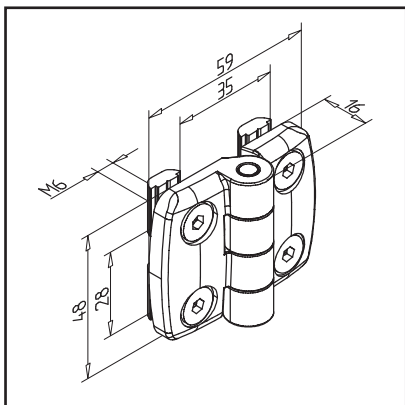
ASSEMBLY

- 1: 2 screws M8 x 30
- 2: 2 screws M6 x 18, 2 square nut M6, 1 screw M8 x 30
- 3: 2 screws M6 x 18, 2 square nuts M6, for panel element 2 screws M6 according to the material thickness
- 4: 4 screws M6 x 18, 4 square nuts M6
- Swivel range up to 270°

FOLDING HINGE 30 GD

Part no.

21.2532/0



TECHN. DATA / ITEMS SUPPLIED

- Aluminium, Pressure die-casting, lacquered, silver
- with stainless steel shaft
- Fastening material steel, galvanized
- Load capacity up to 300 N
- Weight = 0.098 kg/piece

APPLICATIONS

- Suitable for all profiles of series 30
- Doors and lids
- Guard units
- Connection of profiles at various angles

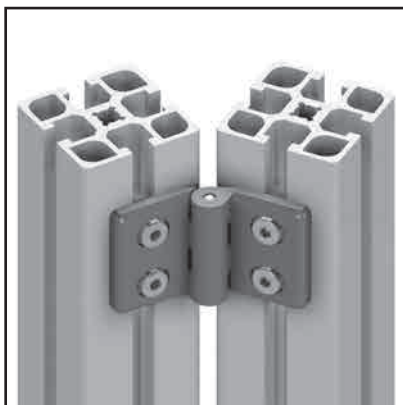
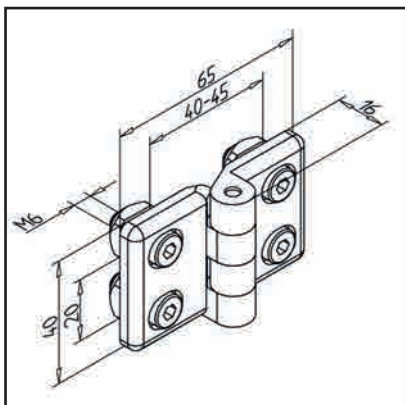
ASSEMBLY

- Screw tight to the profile groove with supplied hardware.

FOLDING HINGE 45 M6

Part no.

21.1175/0



TECHN. DATA / ITEMS SUPPLIED

- PA, grey
- With fastening material steel, zinc plated
- load capacity up to 160 N
- Weight = 0.061 kg/piece

APPLICATIONS

- Suitable for light doors and lids
- Guard units
- Connection of profiles at various angles

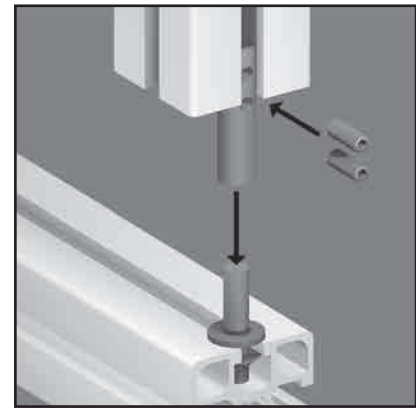
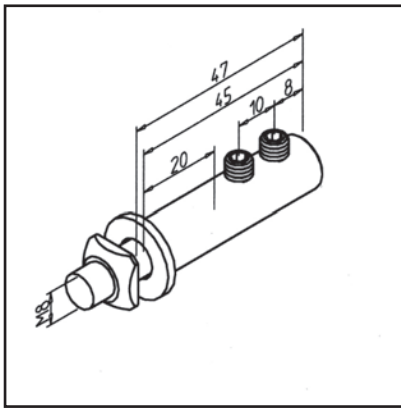
ASSEMBLY

- Screw tight to the profile groove with supplied hardware.

INTERNAL HINGE AL

Part no.

21.1142/0



TECHN. DATA / ITEMS SUPPLIED

- Aluminium, anodized E6/EV1
- With fastening material steel, zinc plated
- load capacity up to 250 N
- Weight = 0.032 kg/piece

APPLICATIONS

- Doors
- Lids
- Movable elements
- Retrofitting of doors

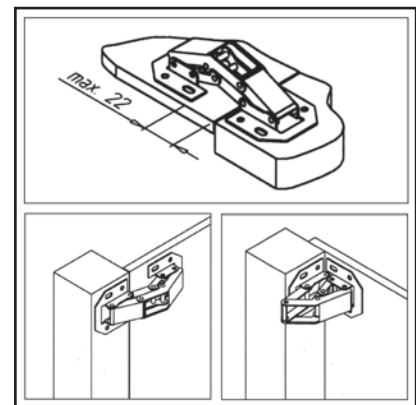
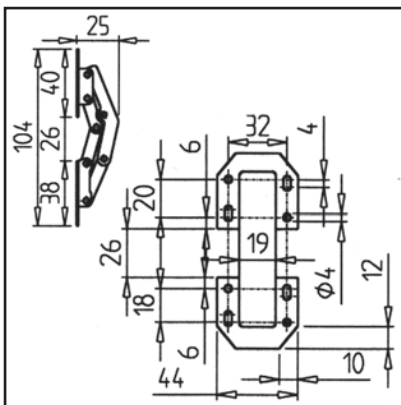
ASSEMBLY

- Fix the retaining pins in the frame and place the plastic washer
- Insert hinge into door element
- Position the door element with the grooves over the retaining pins, push the hinges onto the retaining pins and tighten

SWING-OUT HINGE

Part no.

21.1187/0



TECHN. DATA / ITEMS SUPPLIED

- Steel, galvanized
- Without fastening kit
- load capacity up to 50 N
- Weight = 0.080 kg/piece

APPLICATIONS

- For lightweight doors
- In windows, measuring devices, safety devices
- Doors latch gap-free either overlying outside or flush inside

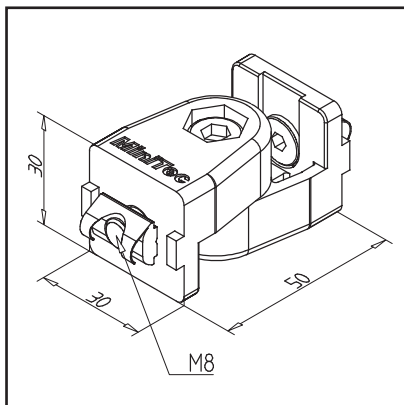
ASSEMBLY

- On profile grooves with screws M4 x 16 and square nut M4
- Direct fixation to panel element, screw length must thus be selected according to material strength
- Fastening directly on the profile surface

JOINT 30 S

Part no.

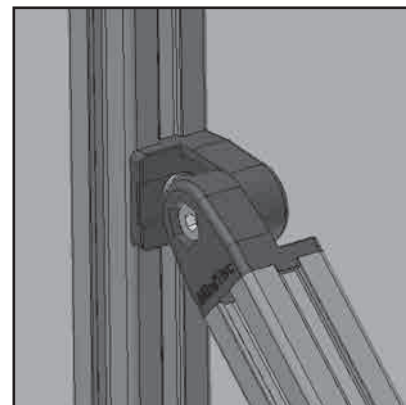
21.2106/0

**TECHN. DATA / ITEMS SUPPLIED**

- Aluminium, Pressure die-casting, powder-coated, grey
- With fastening material steel, zinc plated
- Locking device against torsion
- Weight = 0.087 kg/piece

**APPLICATIONS**

- Connection of profile support under preferred angle
- Retrofitting reinforcement in existing racks
- Alternative: Swivel joint 30 S with slide bushing **part no. 21.2222/0**
- Alternative: Swivel joint 30 S with clamping lever **part no. 21.2225/0**

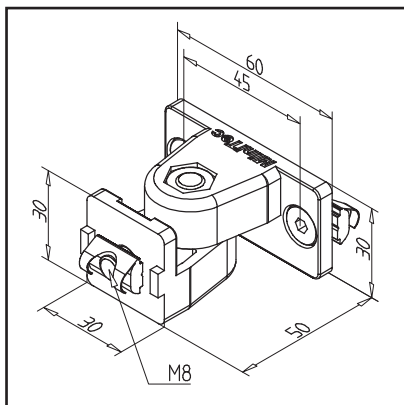
**ASSEMBLY**

- Attach the first joint half to the profile strut on the face side
- Fasten the second joint half to the supporting frame
- Screw both parts together on hinge point

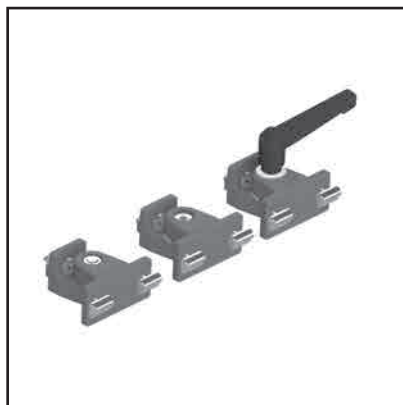
JOINT 30 F/S

Part no.

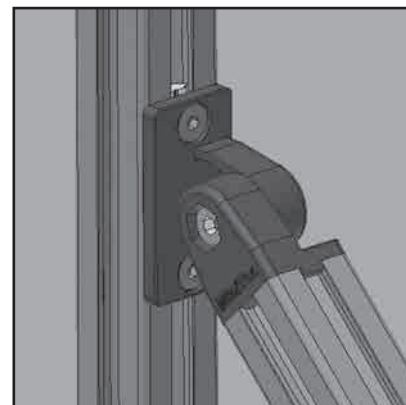
21.2105/0

**TECHN. DATA / ITEMS SUPPLIED**

- Aluminium, Pressure die-casting, powder-coated, grey
- With fastening material steel, zinc plated
- Locking device against torsion
- Weight = 0.105 kg/piece

**APPLICATIONS**

- Connection of profile support under preferred angle
- Retrofitting reinforcement in existing racks
- Alternative: Swivel joint 30 F / S with sliding bushing: **part no. 21.2221/0**
- Alternatively: Swivel joint 30 F/S with clamping lever **part no. 21.2224/0**

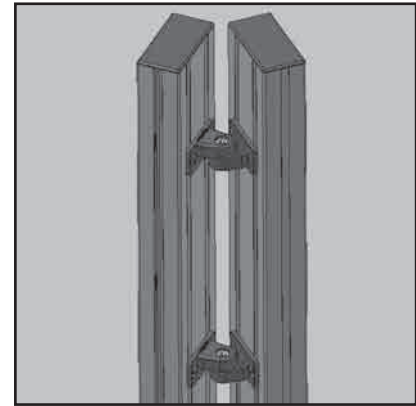
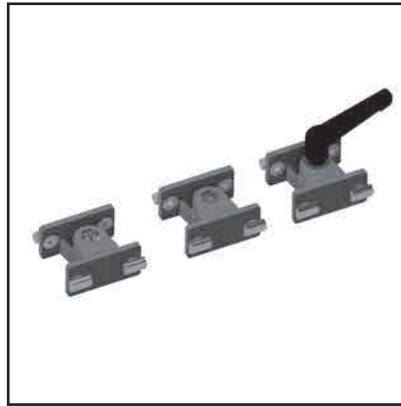
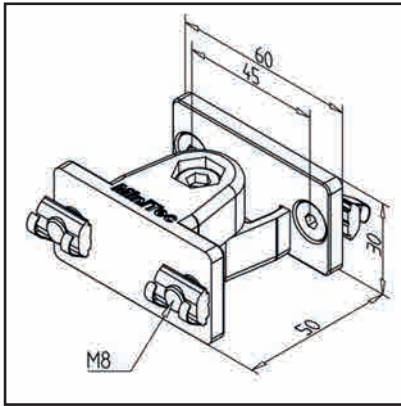
**ASSEMBLY**

- Attach the first joint half to the profile strut on the face side
- Fasten the second joint half to the supporting frame
- Screw both parts together on hinge point

JOINT 30 F

Part no.

21.2111/0



TECHN. DATA / ITEMS SUPPLIED

- Aluminium, Pressure die-casting, powder-coated, grey
- With fastening material steel, zinc plated
- Locking device against torsion
- Weight = 0.126 kg/piece

APPLICATIONS

- Connection of profile support under preferred angle
- Retrofitting reinforcement in existing racks
- Alternative: Swivel joint 30 F with slide bushing **part no. 21.2223/0**
- Alternative: Swivel joint 30 F with clamping lever **part no. 21.2226/0**

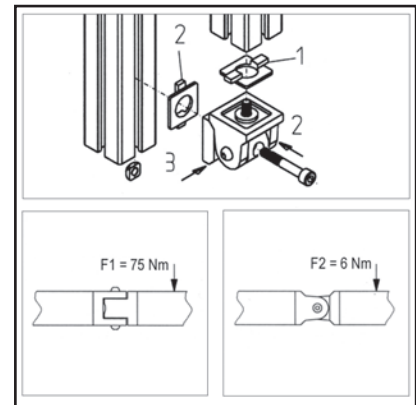
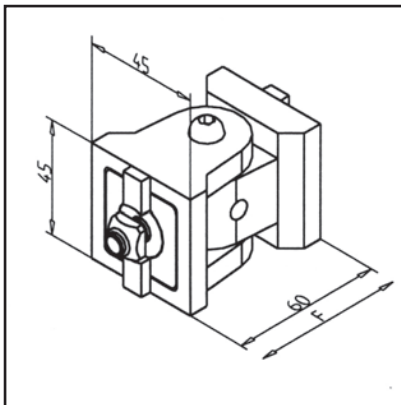
ASSEMBLY

- Fasten link to profile face
- Screw both parts together on hinge point

SWIVEL JOINT 45

Part no.

21.2030/0



TECHN. DATA / ITEMS SUPPLIED

- Aluminium, Pressure die-casting, powder-coated, grey
- With fastening material steel, zinc plated
- Anti-rotation device AL GD
- Load F_{max} 5000 N
- Use on vertical struts **part no. 21.2030/1**
- Weight = 0.250 kg/piece

APPLICATIONS

- Connection of profiles at various angles
- Bracings
- Reinforcement of frame constructions
- Not to be used as a hinge

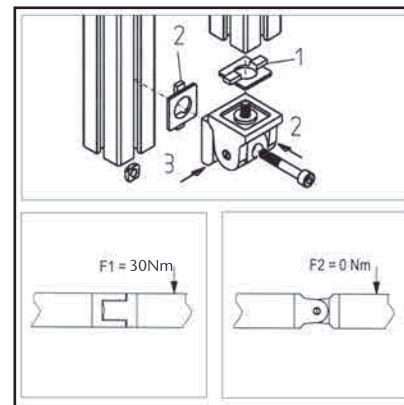
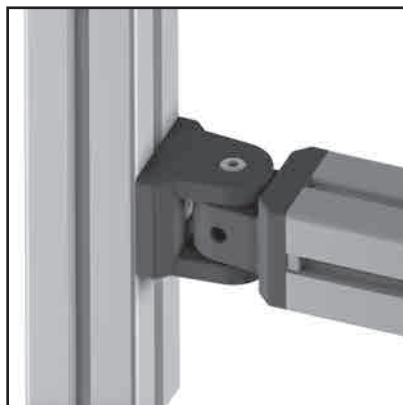
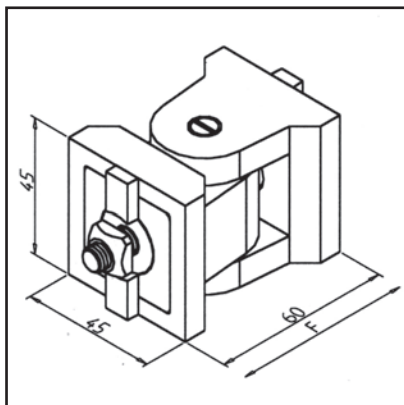
ASSEMBLY

- 1: Joint half with pre-mounted screw to desired position fasten
- 2: Screw from scope of supply insert and joint half of 2 fix swivel (to it mobile side 90°)
- 3: Tighten lateral connecting screws

SWIVEL JOINT 45

Part no.

21.2020/0

**TECHN. DATA / ITEMS SUPPLIED**

- Aluminium, Pressure die-casting, powder-coated, grey
- With fastening material steel, zinc plated
- With low-friction sliding bearing
- Anti-rotation device AL GD
- Load F_{max} 1500 N
- Use on vertical struts **part no. 21.2020/7**
- Weight = 0.240 kg/piece

APPLICATIONS

- Heavy duty swing doors, storage of moving parts
- Not lockable
- For heavy loads use multiple hinges

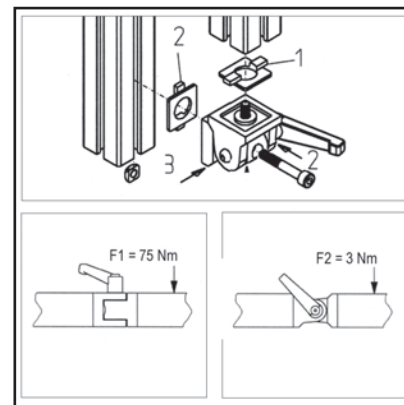
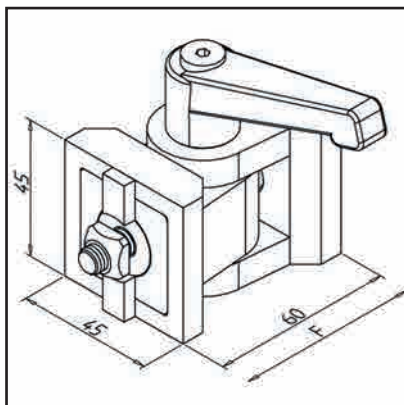
ASSEMBLY

- 1: Joint half with pre-mounted screw to desired position fasten
- 2: Put in the screws delivered and fix the joint half 2 (for this, swivel the movable side 90°, do not loosen the bearing pins!)

SWIVEL JOINT 45 WITH CLAMPING LEVER

Part no.

21.2010/0

**TECHN. DATA / ITEMS SUPPLIED**

- Aluminium, Pressure die-casting, powder-coated, grey
- With fastening material steel, zinc plated
- With low-friction sliding bearing
- Anti-rotation device AL GD
- Load F_{max} 1500 N
- Use on vertical struts **part no. 21.2010/7**
- Weight = 0.339 kg/piece

APPLICATIONS

- Heavy duty swing doors, storage of moving parts
- Clamping lever for positioning of add-on parts
- Fastening of quick-to-adjust components such as gripping shells, measuring devices
- For heavy loads use multiple hinges

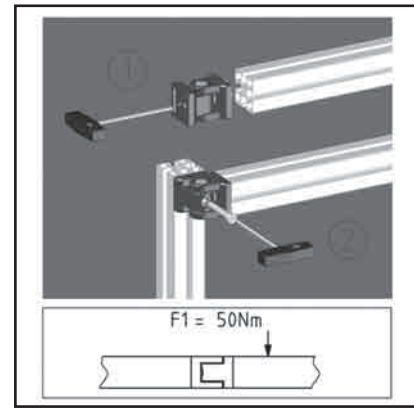
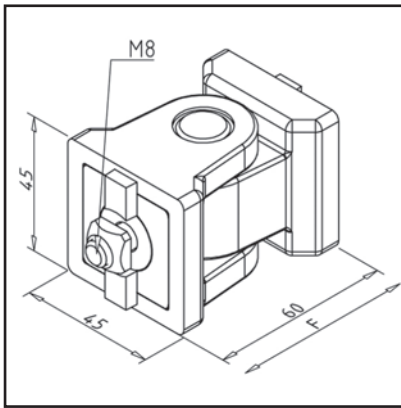
ASSEMBLY

- 1: Joint half with pre-mounted screw to desired position fasten
- 2: Fix with screws included
- 3: Tighten clamping lever

SWIVEL JOINT 45/15

Part no.

21.2315/0



TECHN. DATA / ITEMS SUPPLIED

- Aluminium, Pressure die-casting, powder-coated, grey
- With fastening material steel, zinc plated
- With low-friction sliding bearing
- Anti-rotation device AL GD
- Load F_{max} 2700 N
- Weight = 0.312 kg/piece

APPLICATIONS

- Heavy duty swing doors, storage of moving parts
- Not lockable
- For heavy loads use multiple hinges

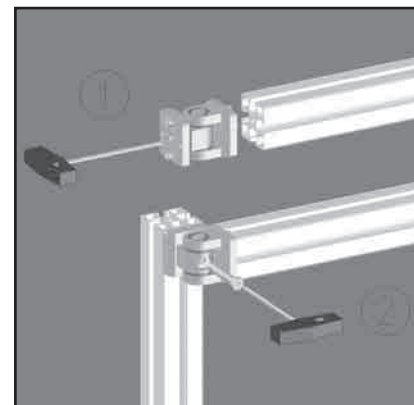
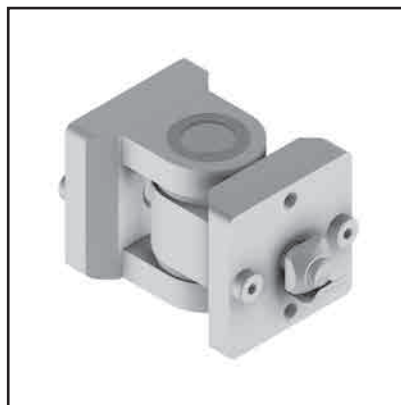
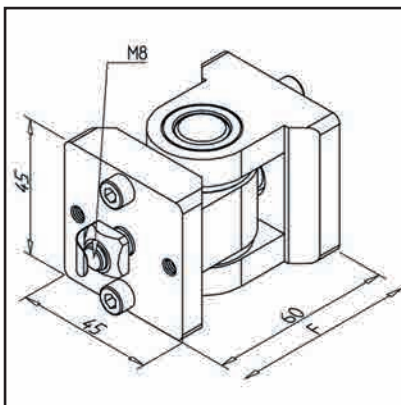
ASSEMBLY

- Attach the first joint half to the profile strut on the face side
- Fasten the second joint half to the supporting frame

HEAVY DUTY JOINT 45

Part no.

21.2034/0



TECHN. DATA / ITEMS SUPPLIED

- Steel, galvanized
- With fastening material steel, zinc plated
- With low-friction sliding bearing
- Locking device against torsion
- Load F_{max} 3500 N
- Load F_1 max 75 Nm
- Weight = 0.680 kg/piece

APPLICATIONS

- Heavy duty swing doors, storage of moving parts
- Not lockable
- For heavy loads use multiple hinges

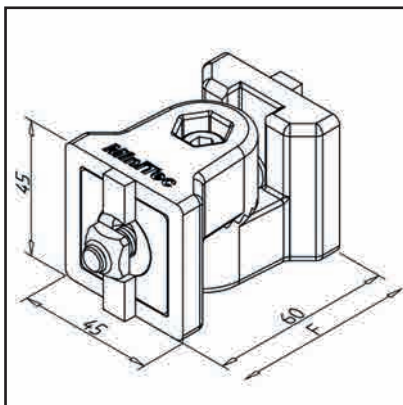
ASSEMBLY

- Attach the first joint half to the profile strut on the face side
- Fasten the second joint half to the supporting frame

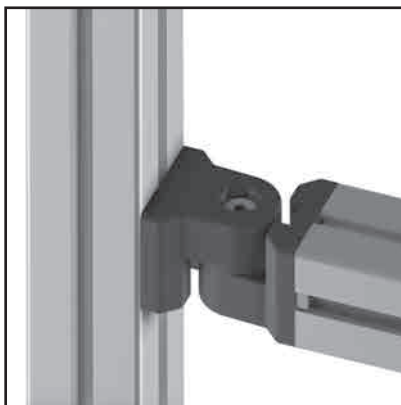
JOINT 45 R

Part no.

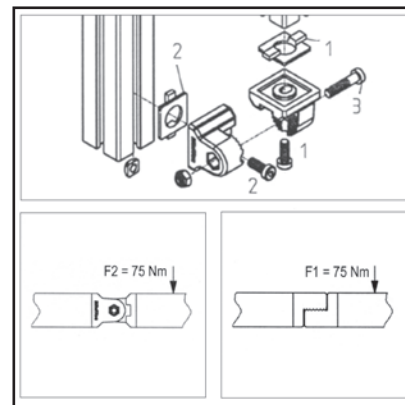
21.2041/0

**TECHN. DATA / ITEMS SUPPLIED**

- Aluminium, Pressure die-casting, powder-coated, grey
- With fastening material steel, zinc plated
- Anti-rotation device AL GD
- Load F_{max} 5000 N
- Use on vertical struts **part no. 21.2041/7**
- Weight = 0.263 kg/piece

**APPLICATIONS**

- Setting angle 180° in steps of 15°
- Fastening of heavy attachments such as extension arms, gripper cup holders, devices
- Safe adjustment through tooth system

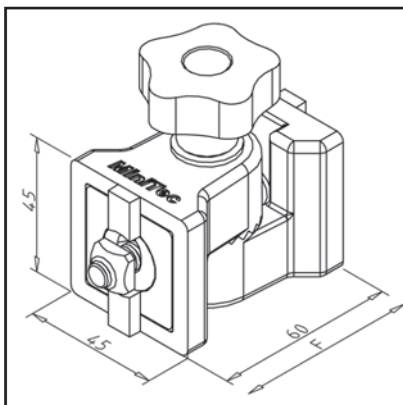
**ASSEMBLY**

- 1: Place locking device and screw first half of the bracket
- 2: Fix second half
- 3: Connect the 2 halves in desired angle and tighten

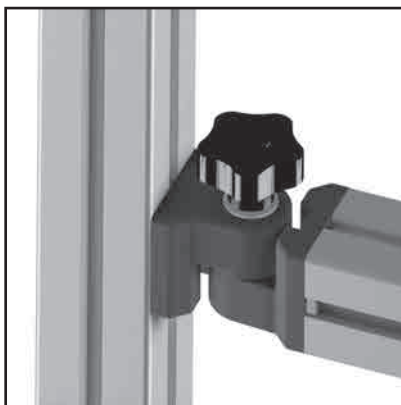
JOINT 45 R WITH STAR GRIP

Part no.

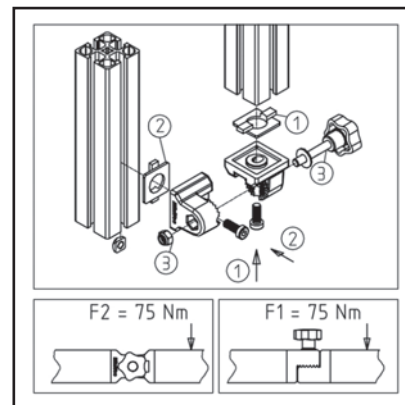
21.2230/0

**TECHN. DATA / ITEMS SUPPLIED**

- Aluminium, Pressure die-casting, powder-coated, grey
- With fastening material steel, zinc plated
- Anti-rotation device AL GD
- Load F_{max} 5000 N
- Use on vertical struts **part no. 21.2230/7**
- Weight = 0.279 kg/piece

**APPLICATIONS**

- Setting angle 180° in steps of 15°
- Fastening of heavy attachments such as extension arms, gripper cup holders, devices
- Safe adjustment through tooth system

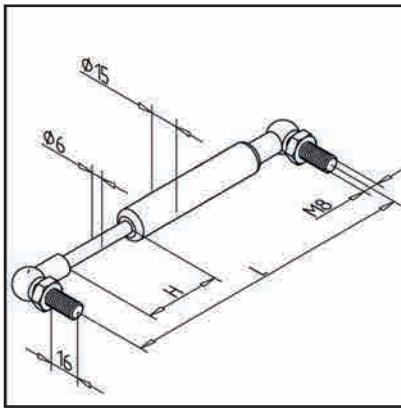
**ASSEMBLY**

- 1: Place locking device and screw first half of the bracket
- 2: Fix second half
- 3: Connect the 2 halves in desired angle and tighten

GAS PRESSURE SPRING 6 / 15

Part no.

24.1126/0



H (mm)	L (mm)
20	115,5
40	155,5
60	194,5
80	235
100	273
120	316
150	375,5

TECHN. DATA / ITEMS SUPPLIED

- Stroke (H) alternatively 20 / 40 / 60 / 80 / 100 / 120 / 150 mm
- Power (F) between 50 and 400 N (increments 50 N)
- **Please indicate desired length of stroke and force**

APPLICATIONS

- For weight compensation with foldable elements
- Suitable for lift and swivel movements

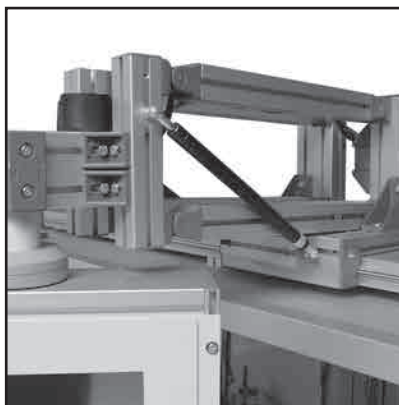
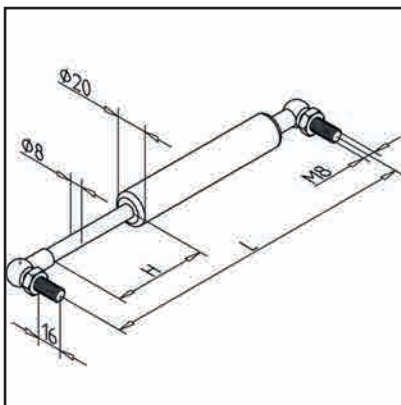
ASSEMBLY

- Fix with thread bolt M8 to profile groove of other components

GAS PRESSURE SPRING 8 / 20

Part no.

24.1127/0



H (mm)	L (mm)
57	206
80	244
100	286
120	326
140	366
160	405
180	446
200	485,5
220	527
250	585,5

TECHN. DATA / ITEMS SUPPLIED

- Stroke (H) alternatively 57 / 80 / 100 / 120 / 140 / 160 / 180 / 200 / 220 / 250 mm
- Power (F) between 80 and 750 N (increments 50 N)
- **Please indicate desired length of stroke and force**

APPLICATIONS

- For weight compensation with foldable elements
- Suitable for lift and swivel movements

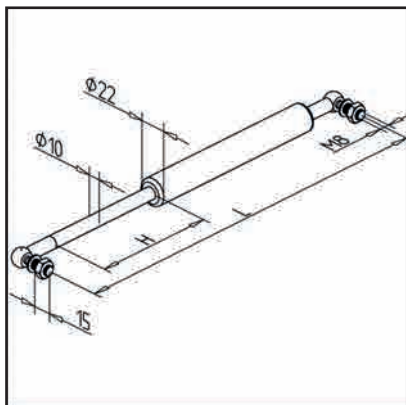
ASSEMBLY

- Fix with thread bolt M8 to profile groove of other components

GAS PRESSURE SPRING 10/22

Part no.

24.1128/0



H (mm)	L (mm)
98	286
148	386
198	486
248	586
295	686
345	786
395	886
445	986
495	1086

TECHN. DATA / ITEMS SUPPLIED

- Stroke (H) alternatively 100 / 150 / 200 / 250 / 300 / 350 / 400 mm
- Power (F) between 100 and 1200 N (increments 50 N)
- **Please indicate desired length of stroke and force**

APPLICATIONS

- For weight compensation with foldable elements
- Suitable for lift and swivel movements

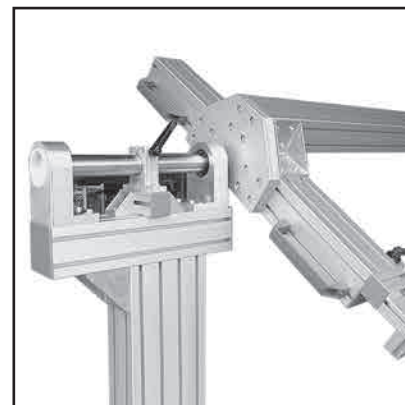
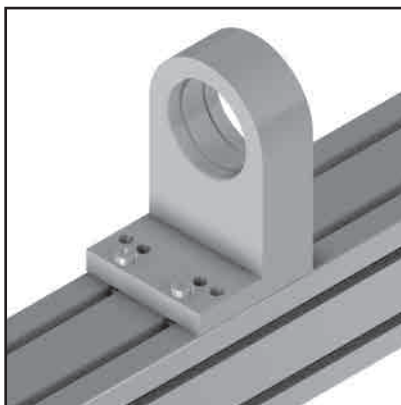
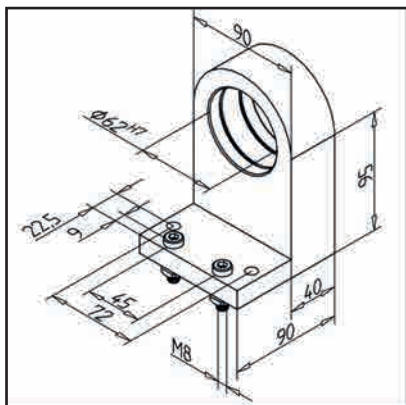
ASSEMBLY

- Fix with thread bolt M8 to profile groove of other components

UPRIGHT BEARING

Part no.

28.0158/0



TECHN. DATA / ITEMS SUPPLIED

- Aluminium, bright
- With fastening material steel, zinc plated
- Without ball bearing
- Weight = 1.180 kg/piece

APPLICATIONS

- Large swivelling frame
- Guiding of shafts, axles, drums, tires lengthwise and crosswise to the profile

ASSEMBLY

- Mounting hole suitable for radial ball bearings 6206 2RS **part no. 50.0977/1**
- Fasten to the profile with supplied hardware