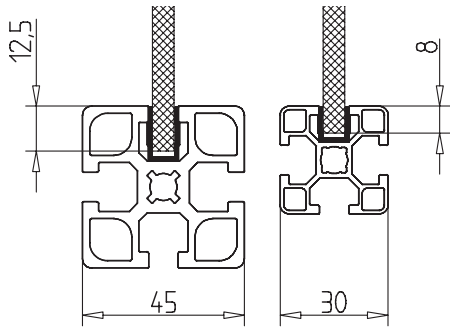


INSTALLATION OF SURFACE ELEMENTS

INSTALLING SURFACE ELEMENTS IN THE PROFILE GROOVE

Basically, a distinction must be made between installation in the profile groove and subsequent fastening of surface elements. For installation in the profile groove, the installation procedure must be planned accordingly. It is recommended to create complete protective fields which are inserted into a construction. This mounting method has particular advantages for large surfaces, when processing woven wire mesh and sealed constructions. The subsequent installation of panel elements is usually easier and the risk of damage is lower.



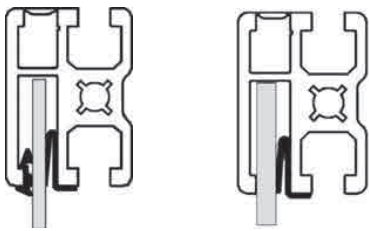
Clamp profile

Surface elements of 6 mm thickness can be combined with a clamp profile.

Install directly in the profile groove.

Allowance for surface elements in x and y direction for mounting in profile groove:

- 30er groove system +16 mm
- 45er groove system +25 mm



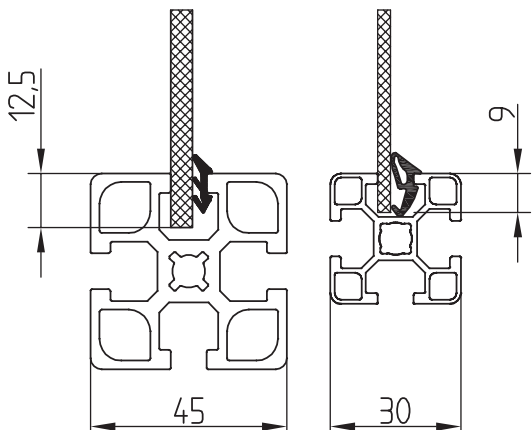
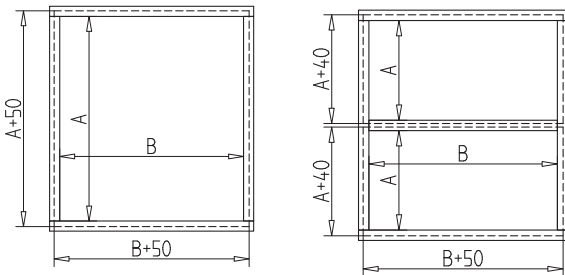
Clamping profile 45 x 32

The clamping profile 45 x 32 contains the properties of the system profiles and a safe, simple fastening of surface elements integrated.

This option is particularly recommended for large protective fields and wave grid constructions. The protective fields are prefabricated and can be easily installed with protective field suspensions in the frame of the construction. Quick removal of such protective fields is also possible.

Allowance for surface elements in x and y direction for mounting in profile groove:

- 1) Simple frame: +50 mm
- 2) Frame with one or more intermediate struts: +40 mm



Plug seals

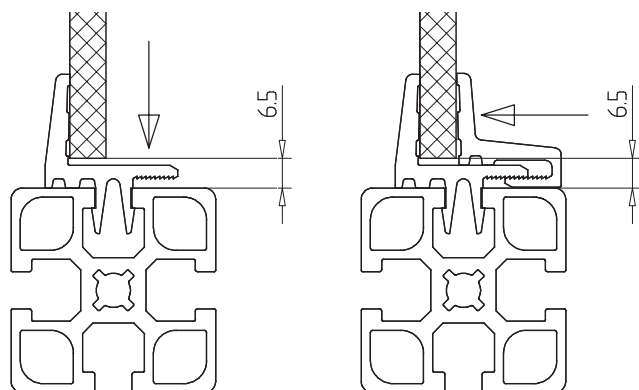
Panes of glass, PVC, composite material, acrylic or similar of 2 - 6 mm thickness can be filled with the plug-in seals 2, 4, 5 and 6 are secured and sealed in the profile. The plug-in seal is subsequently pressed into the gap between the disc and the profile groove flank. When using plug-in seal 4 on both sides, materials < 2 mm clamp.

Allowance for surface elements in x and y direction for mounting in profile groove:

- 30 groove system +18 mm with plug-in seal 30
- 45 groove system +25 mm with plug-in seal 2/4/5/6

INSTALLATION OF SURFACE ELEMENTS

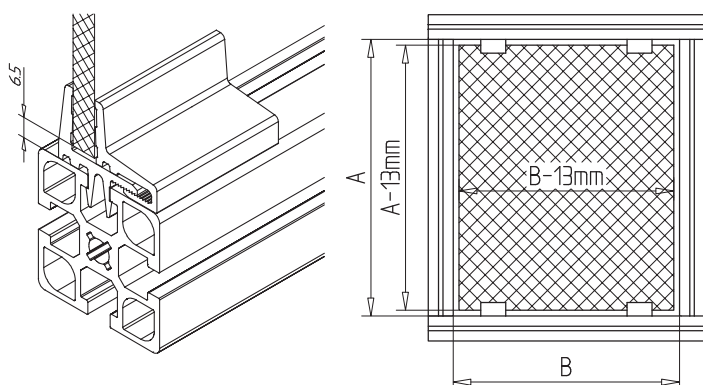
INSTALLING SURFACE ELEMENTS IN THE PROFILE GROOVE

**Clamping profile PVC**

Optically appealing, simple and secure attachment of surface elements of all kinds, without circumferential gap between the construction profile and surface element.

Suitable for surface elements up to 8 mm thick, also for wavy grid.

Calculation of panel size: Clear opening - 13 mm

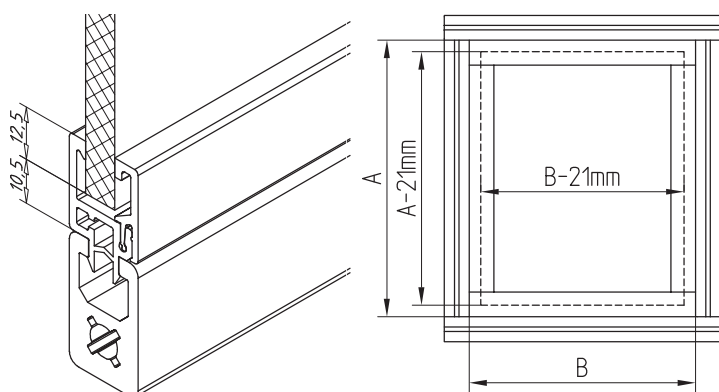
**Panel holder**

Extremely simple and cost-effective attachment of surface elements. The panel holders consist of 2 halves.

Suitable for all surface elements up to 8 mm thickness. For corrugated gratings, please use the PVC clamping profile at this point.

Calculation of panel size:

Clear opening - 13 mm (6.5 mm air circulating)

**Window Edging Profile**

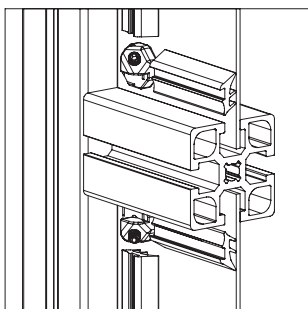
Simple and economical installation of surface elements.

Also suitable for retrofitting into existing frames. No mitre cut required. Suitable for surface elements up to 8 mm thick. Dense attachment of panels < 8 mm with the plug-in gaskets.

For the subsequent installation of wave mesh, please use the PVC clamping profile.

INSTALLATION OF SURFACE ELEMENTS

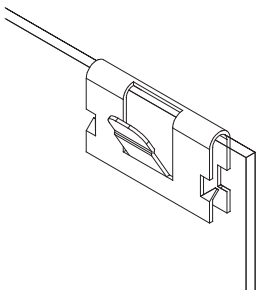
INSTALLING SURFACE ELEMENTS IN THE PROFILE GROOVE



Earthing / conductive connection

For conductive connection of aluminum or steel sheets with the profile frame in the thickness of 1.5mm - 2.5mm please use our earthing block **part no. 22.1163/0**.

One surface block is sufficient per surface element. In connection with our insert seal 2, the sheet metal is fastened in the profile frame.



Earthing clamp **part no.: E9.0141/0**

For grounding sheet metal and thin-walled components with wall thickness of 0.7 - 2 mm

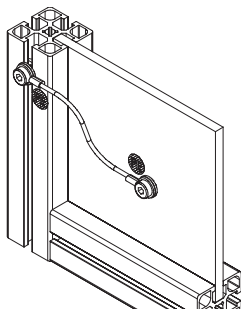
Especially suitable for:

Cable duct AL **part no. 20.1051/0**

Cable duct 45 AL **part no. 20.1071/0**

Cable duct 90 AL **part no. 20.1056/0**

- Attach to sheet metal edge
- Safe support and conductive connection is provided by claws
- For the connection of the earthing cable with 6 mm flat plug



Earthing cable for ESD areas

Wire line green-yellow 4mm² Length: ca. 200 mm

Attach to profile groove with fixing material from scope of delivery.

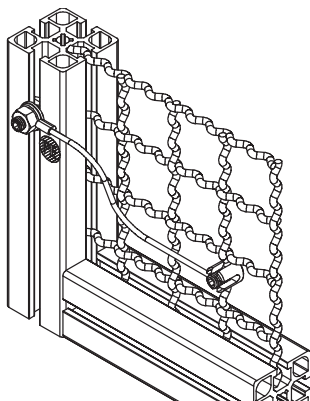
With standard accessory for grounding of surface elements with 8 mm

part no. 32.1013/0

Attachment with eyelet on both sides for M8

part no. 32.1016/0

Attachment with eyelet on one side for M8, other side for M6



Earthing clamp wave grid **part no. E9.0143/0**

Wire line green-yellow 4mm² Length: ca. 200 mm

Attach to profile groove with fixing material from scope of delivery.

Attach grounding clip to wave grid, fasten and connect with eyelet.

INSTALLATION OF SURFACE ELEMENTS

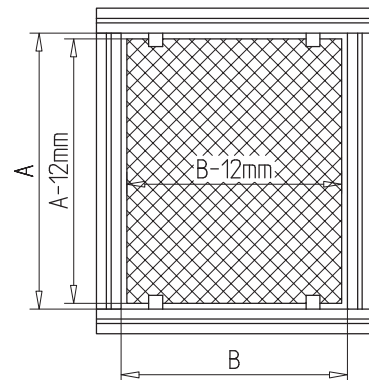
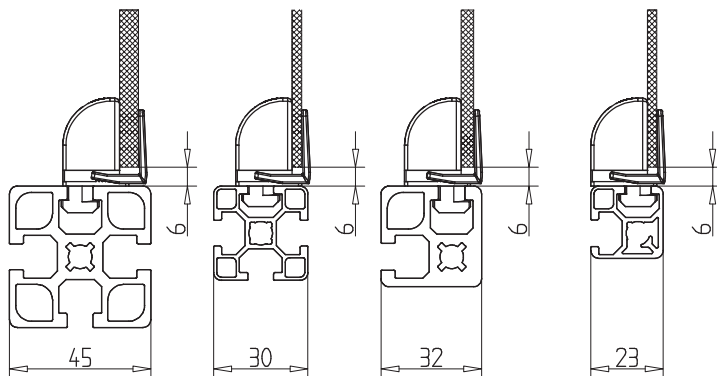
INSTALLING SURFACE ELEMENTS IN THE PROFILE GROOVE

Panel clamp

Extremely simple and cost-effective fastening of panel elements. The terminal blocks consist of a base and locking clip. Suitable for all surface elements from 2 to 6 mm thick, except wavy grid.

Calculation of panel size:

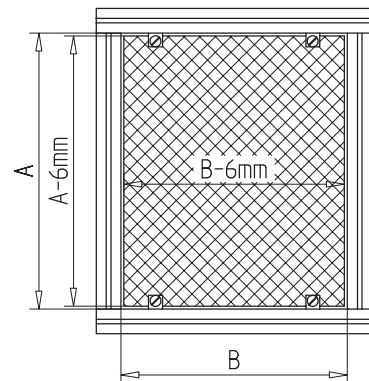
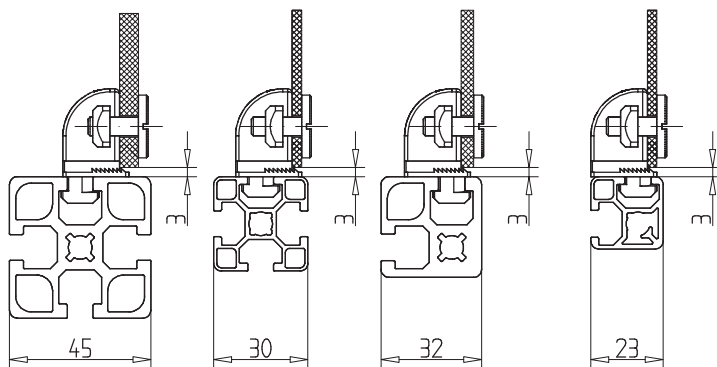
Clear opening A / B - 12mm (6mm air circulating)

**Screw block**

Suitable for panel material up to 6 mm thick, except for wave grid.

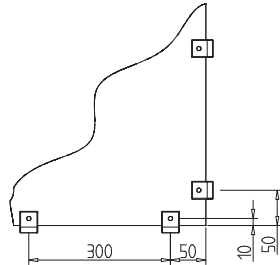
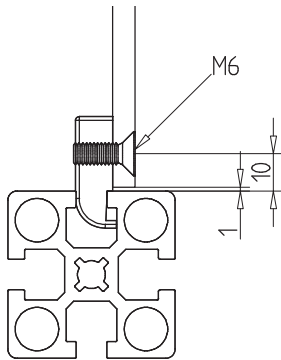
Calculation of panel size:

Clear opening A / B - 6mm (3mm air circulating)



INSTALLATION OF SURFACE ELEMENTS

INSTALLING SURFACE ELEMENTS IN THE PROFILE GROOVE

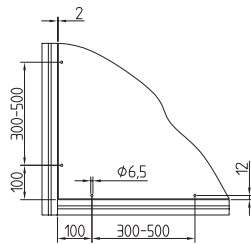
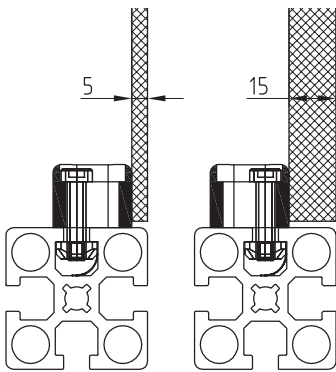


Thread Socket

Safe and easy attachment of surface elements of all kinds except wave grid. The threaded sockets are swiveled into the profile groove at intervals of approx. 300 mm. Select screw length and screw shape according to material thickness and type of surface element.

Calculation of panel size:

Clear opening -2 mm (1 mm air circulating)



Multiblock

The multiblocks are placed in the clear opening of the frame construction at a distance of approx. 300 mm with M6 cylinder screws and sliding nuts.

Suitable for acrylic, sheet metal, aluminum wave grid.

With the Multiblock 45, material of 5 to 15 mm thickness can be fastened flush.

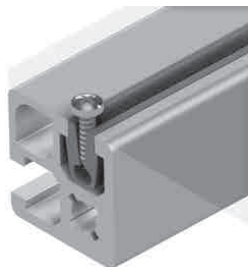
With the Multiblock 30, material up to 7.5 mm thick can be fastened flush. Select screw length and screw shape according to material thickness and type of surface element.

The hole in the surface element for the fixing screws in Ø6.5 mm and with 10 mm margin.

Calculation of panel size:

Clear opening -4 mm (~ 2 mm air circulating)

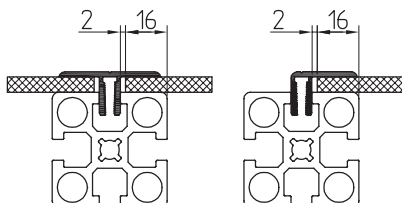
Furthermore, it is possible to mount surface elements on the Multiblock 30, so there is no air gap.



Screw Bar

Material: PVC

Fixing of surface elements or components at any place with sheet metal- or chipboard screws.



Panel Clamping Profile

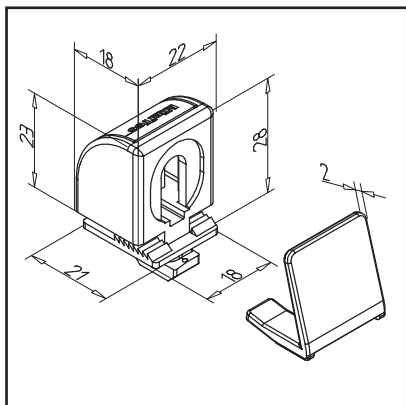
Suitable for surface elements from 2 to 10 mm thick. Insert boring Ø 5.5 mm for M5 threaded pin with a spacing of ~ 250 mm into the profile groove and clamp with M5 x 16 threaded pin.

For panels, woven wire mesh and pressed wire mesh

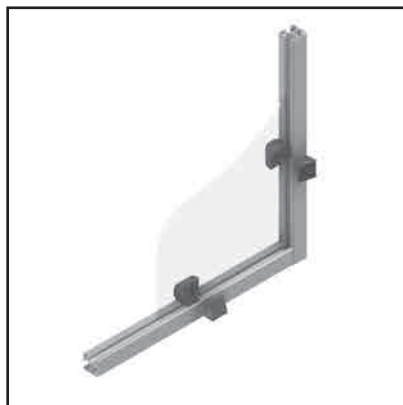
CLAMPING BLOCK 23

Part no.

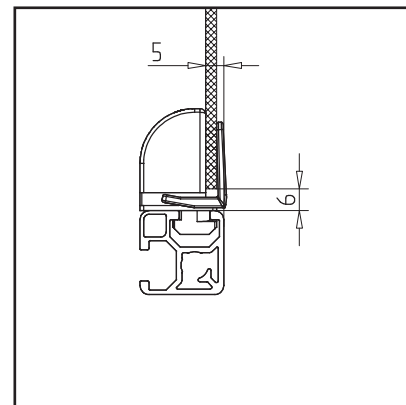
22.1235/0

**TECHN. DATA / ITEMS SUPPLIED**

- ABS, Injection Mould, grey
- Weight = 0.008 kg/piece

**APPLICATIONS**

- Suitable for all profiles of series 30
- Retrofitting surface elements 2 mm to 6 mm thickness
- Circulating air gap 6 mm

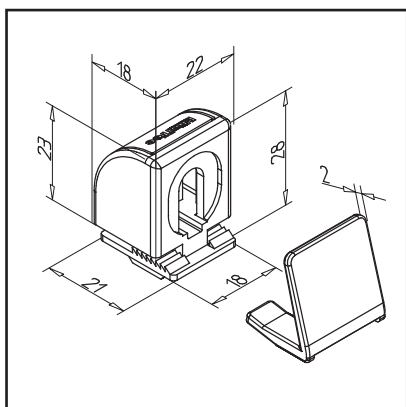
**ASSEMBLY**

- Insert socket into profile groove
- Insert surface elements
- Press on clip
- **Dismounting:** Lift snap-in clip slightly and pull it out

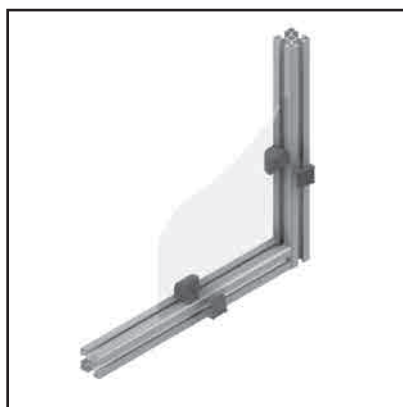
CLAMPING BLOCK 30

Part no.

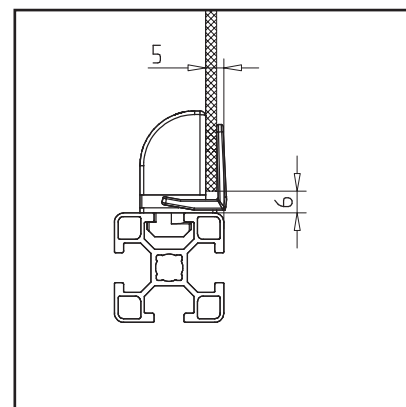
22.1230/0

**TECHN. DATA / ITEMS SUPPLIED**

- ABS, Injection Mould, grey
- Weight = 0.008 kg/piece

**APPLICATIONS**

- Suitable for all profiles of series 30
- Retrofitting surface elements 2 mm to 6 mm thickness
- Circulating air gap 6 mm

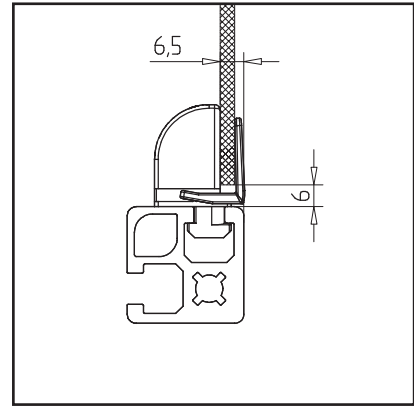
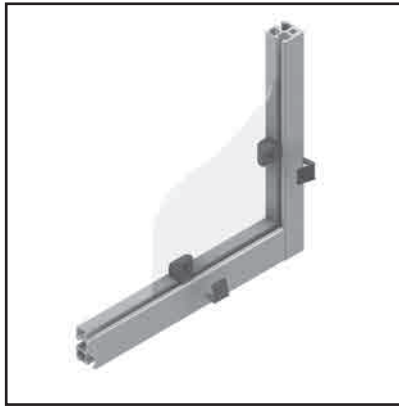
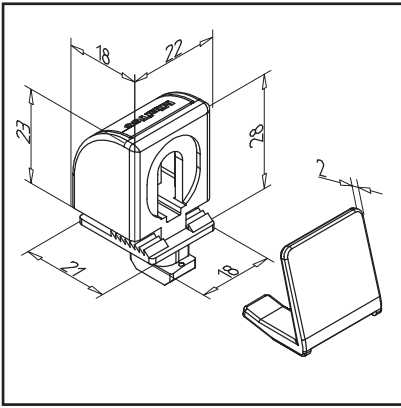
**ASSEMBLY**

- Insert socket into profile groove
- Insert surface elements
- Press on clip
- **Dismounting:** Lift snap-in clip slightly and pull it out

CLAMPING BLOCK 32

Part no.

22.1245/0



TECHN. DATA / ITEMS SUPPLIED

- ABS, Injection Mould, grey
- Weight = 0.008 kg/piece

APPLICATIONS

- Suitable for profile series 45
- Retrofitting surface elements 2 mm to 6 mm thickness
- Circulating air gap 6 mm

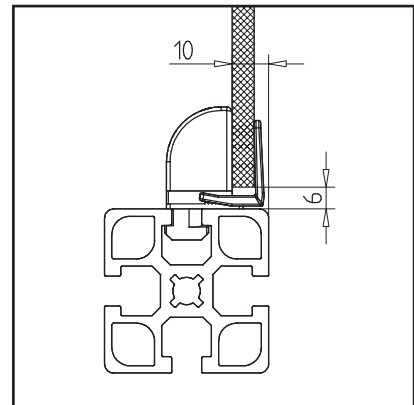
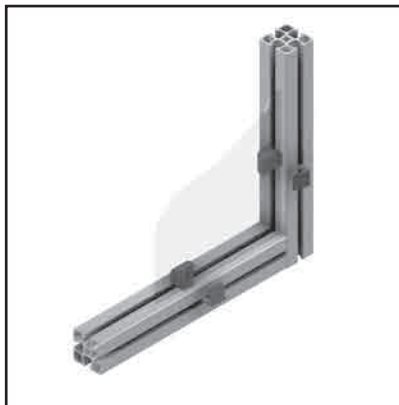
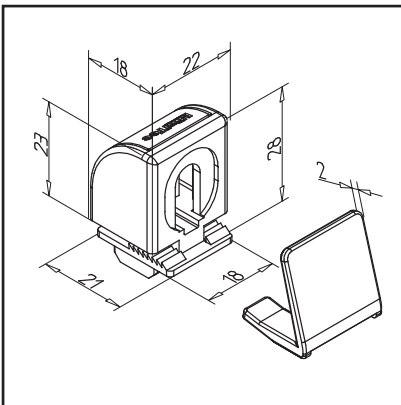
ASSEMBLY

- Insert socket into profile groove
- Insert surface elements
- Press on clip
- **Dismounting:** Lift snap-in clip slightly and pull it out

CLAMPING BLOCK 45

Part no.

22.1240/0



TECHN. DATA / ITEMS SUPPLIED

- ABS, Injection Mould, grey
- Weight = 0.008 kg/piece

APPLICATIONS

- Suitable for profile series 45
- Retrofitting surface elements 2 mm to 6 mm thickness
- Circulating air gap 6 mm

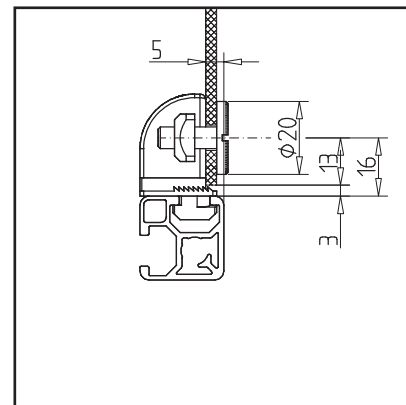
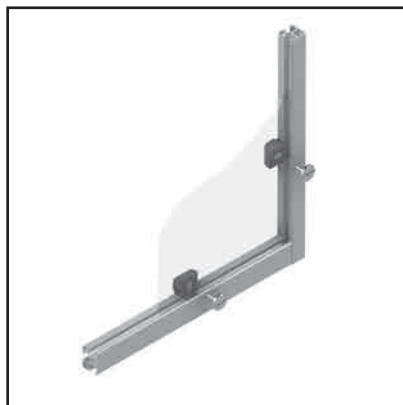
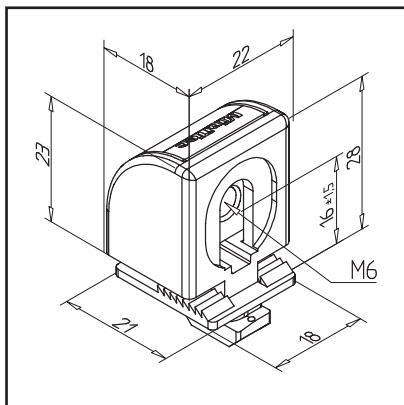
ASSEMBLY

- Insert socket into profile groove
- Insert surface elements
- Press on clip
- **Dismounting:** Lift snap-in clip slightly and pull it out

SCREW BLOCK 23

Part no.

22.1255/0

**TECHN. DATA / ITEMS SUPPLIED**

- ABS, Injection Mould, grey
- Nut M6, steel, zinc-plated
- Also available with thread dimensions M4/M5/M8
- Weight = 0.011 kg/piece

APPLICATIONS

- Suitable for all profiles of series 30
- Retrofitting surface elements 2 mm to 6 mm thickness
- Circulating air gap 7 mm

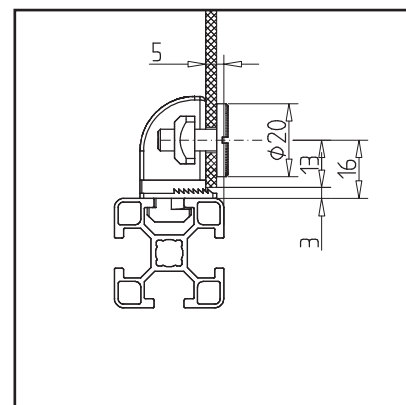
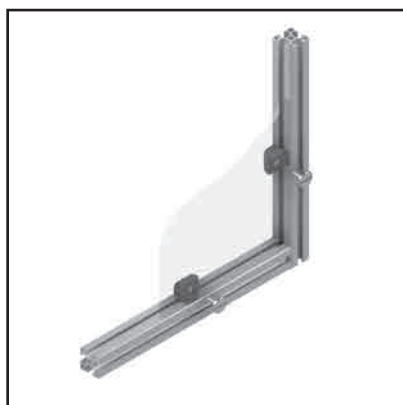
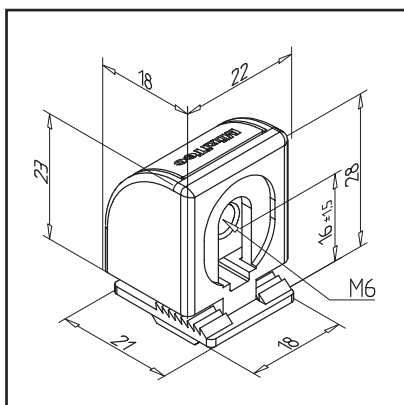
ASSEMBLY

- Insert socket into profile groove
- Insert bored surface elements
- Screw down the surface elements
- Recommended flat head screw M6x12 **part no. 21.2074/0** up to 3 mm disc thickness or M6x16 **part no. 21.1246/0** for greater strengths

SCREW BLOCK 30

Part no.

22.1250/0

**TECHN. DATA / ITEMS SUPPLIED**

- ABS, Injection Mould, grey
- Nut M6, steel, zinc-plated
- Also available with thread dimensions M4/M5/M8
- Weight = 0.011 kg/piece

APPLICATIONS

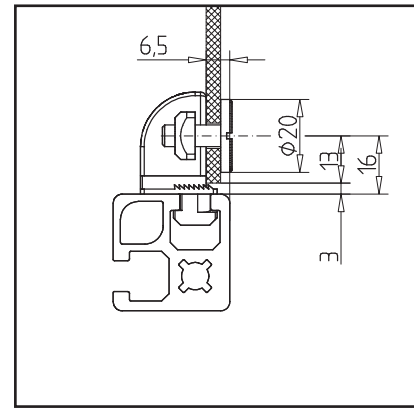
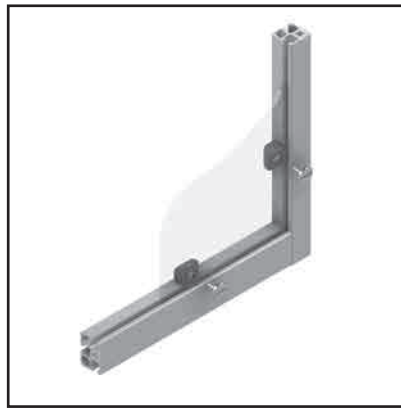
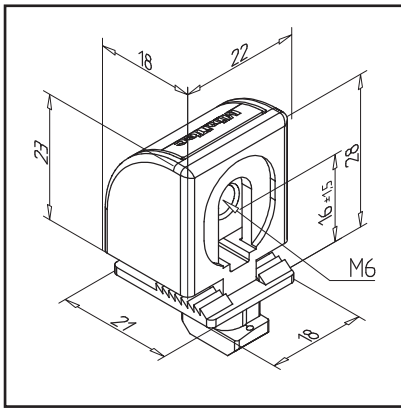
- Suitable for all profiles of series 30
- Retrofitting surface elements 2 mm to 6 mm thickness
- Circulating air gap 7 mm

ASSEMBLY

- Insert socket into profile groove
- Insert bored surface elements
- Screw down the surface elements
- Recommended flat head screw M6x12 **part no. 21.2074/0** up to 3 mm disc thickness or M6x16 **part no. 21.1246/0** for greater strengths

SCREW BLOCK 32

Part no. 22.1265/0



TECHN. DATA / ITEMS SUPPLIED

- ABS, Injection Mould, grey
- Nut M6, steel, zinc-plated
- Also available with thread dimensions M4/M5/M8
- Weight = 0.011 kg/piece

APPLICATIONS

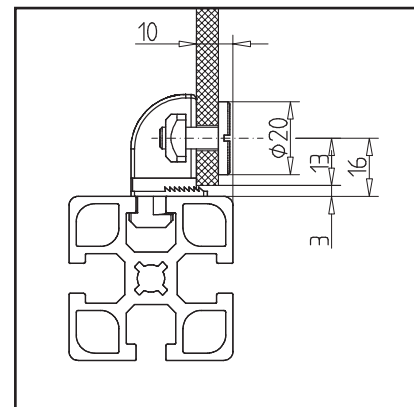
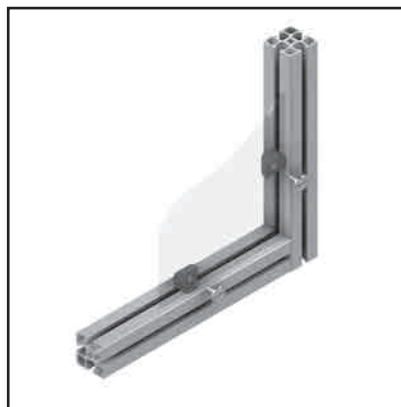
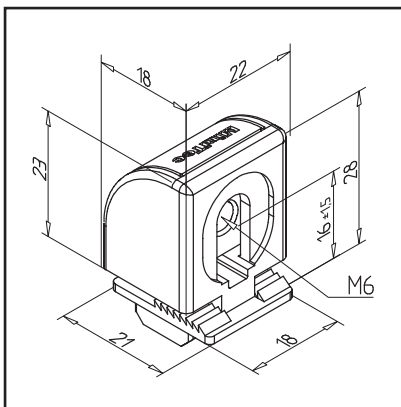
- Suitable for profile series 45
- Retrofitting surface elements 2 mm to 6 mm thickness
- Circulating air gap 7 mm

ASSEMBLY

- Insert socket into profile groove
- Insert bored surface elements
- Screw down the surface elements
- Recommended flat head screw M6x12 **part no. 21.2074/0** up to 3 mm disc thickness or M6x16 **part no. 21.1246/0** for greater strengths

SCREW BLOCK 45

Part no. 22.1260/0



TECHN. DATA / ITEMS SUPPLIED

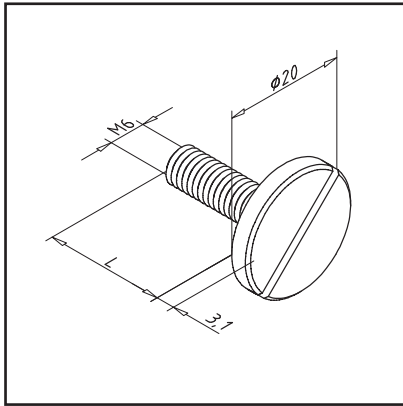
- ABS, Injection Mould, grey
- Nut M6, steel, zinc-plated
- Also available with thread dimensions M4/M5/M8
- Weight = 0.011 kg/piece

APPLICATIONS

- Suitable for profile series 45
- Retrofitting surface elements 2 mm to 6 mm thickness
- Circulating air gap 7 mm

ASSEMBLY

- Insert socket into profile groove
- Insert bored surface elements
- Screw down the surface elements
- Recommended flat head screw M6x12 **part no. 21.2074/0** up to 3 mm disc thickness or M6x16 **part no. 21.1246/0** for greater strengths

PAN HEAD SCREW M6**TECHN. DATA / ITEMS SUPPLIED**

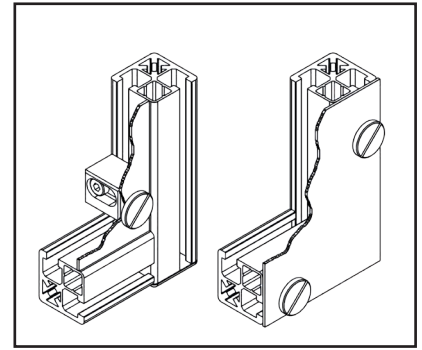
- Steel, galvanized
- Head diameter \varnothing 20 mm
- M06x12 - **part no. 21.2074/0**, Weight 0,008 kg
- M06x16 - **part no. 21.1246/0**, Weight 0,009 kg
- M06x20 - **part no. 21.1246/1**, Weight 0,010 kg

**APPLICATIONS**

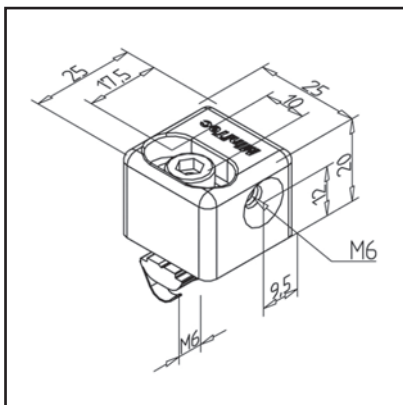
- Assembly of surface elements directly on profile groove
- In connection with screw blocks, multiblocks and thread socket

Part no.

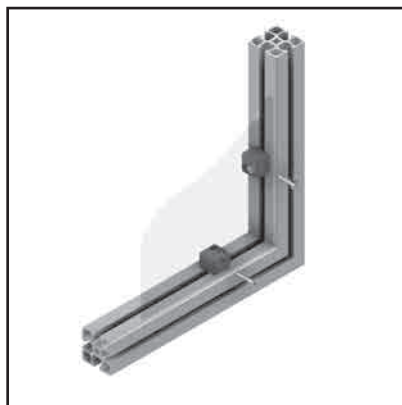
--..../-

**ASSEMBLY**

- Pre-drill surface elements: \varnothing 6.5 mm
- Recommended grid dimensions: approx. 150 mm
- Edge distance: see screw block 32 and multi-block

MULTIBLOCK 30 GD**TECHN. DATA / ITEMS SUPPLIED**

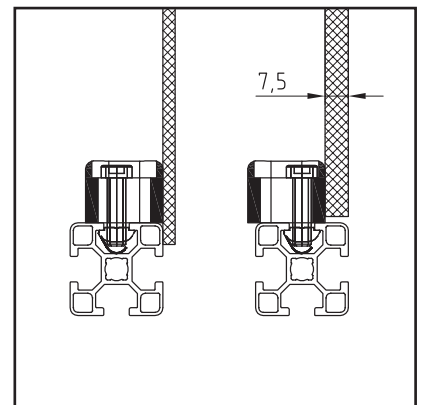
- Aluminium, Pressure die-casting, powder-coated, grey
- With fastening material steel, zinc plated
- Without pan head screw
- Weight = 0.032 kg/piece

**APPLICATIONS**

- Retrofitting surface elements and attachments
- Plate thickness of 6 to 7 mm can be continuously flush fit
- Alternatively, surface elements can also be mounted on-the-floor, so they can also be installed without an air gap.

Part no.

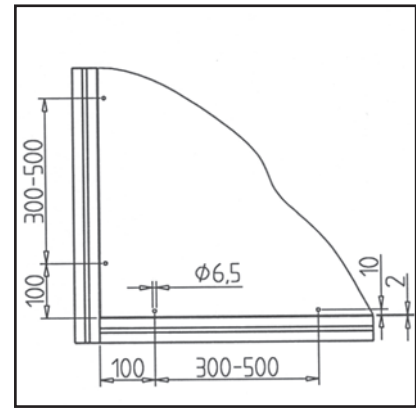
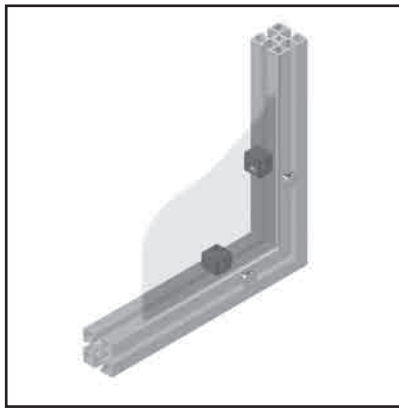
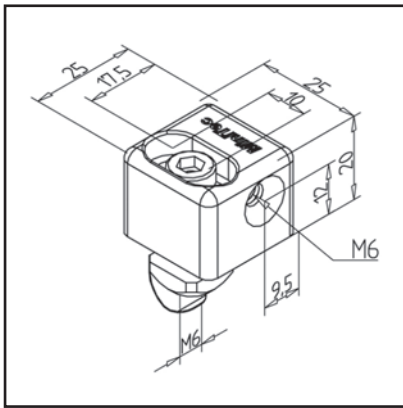
21.2220/0

**ASSEMBLY**

- Fastening surface elements or components with screw M6 or flat head screw
- Determination of panel dimensions: Light opening -4mm (~2 mm circulating air)
- Bore for fixation screws \varnothing 6.5 mm, edge distance 10 mm

MULTIBLOCK GD

Part no. 21.1355/0



TECHN. DATA / ITEMS SUPPLIED

- Aluminium, Pressure die-casting, powder-coated, grey
- With fastening material steel, zinc plated
- Without pan head screw
- Use on vertical struts **part no. 21.1355/6** (square nut with position-fixing)
- Weight = 0.035 kg/piece

APPLICATIONS

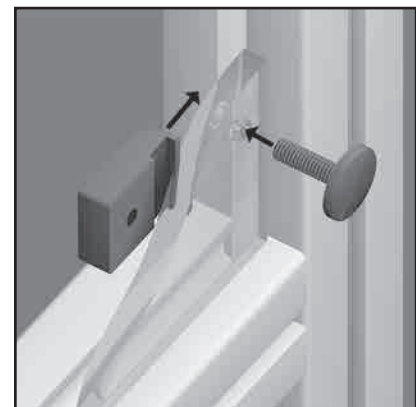
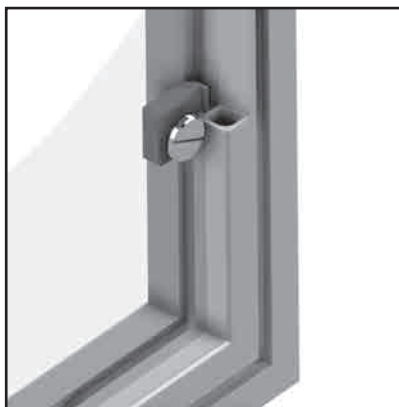
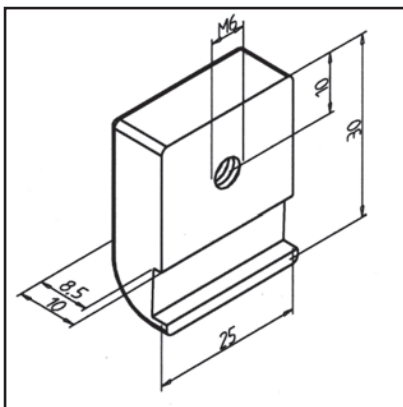
- Retrofitting surface elements and attachments
- Plate thickness of 5 to 15 mm can be continuously flush fit

ASSEMBLY

- For all profile grooves
- Fastening surface elements or components with screw M6 or flat head screw
- Bore for fixation screws $\phi 6.5$ mm, edge distance 10 mm

THREAD SOCKET GD

Part no. 21.1117/1



TECHN. DATA / ITEMS SUPPLIED

- Aluminium, Pressure die-casting, powder-coated, grey
- Without pan head screw
- Weight = 0.018 kg/piece

APPLICATIONS

- Fix surface elements in profile frames
- Table tops

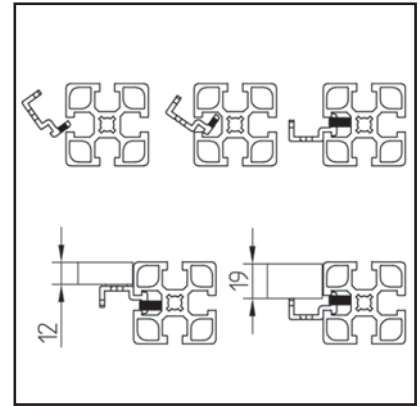
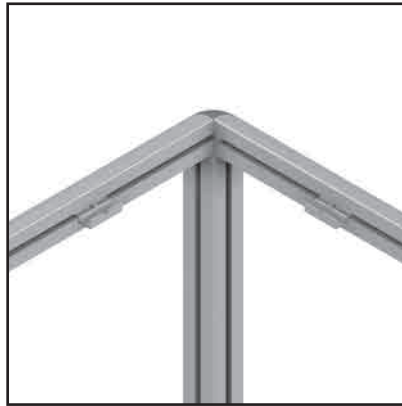
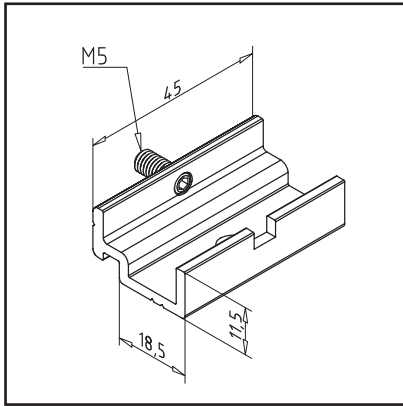
ASSEMBLY

- Insert the thread socket into profile groove
- Fix element with screws M6 or flat head screw
- Distance from edge of the thread: 10 mm

MOUNTING BASE N PIVOTED

Part no.

21.0036/0



TECHN. DATA / ITEMS SUPPLIED

- Aluminium, anodized E6/EV1
- Setscrew M05, galvanised
- Weight = 0.016 kg/piece

APPLICATIONS

- For the positioning and fastening of table tops and surface elements

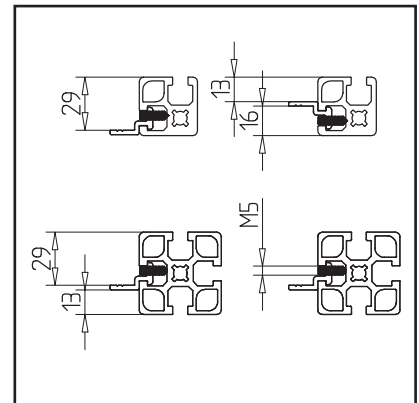
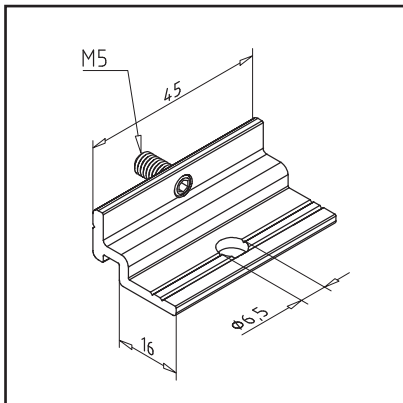
ASSEMBLY

- Swing into profile groove
- Clamp with set screw
- No machining required

MOUNTING BASE F PIVOTED

Part no.

21.0041/0



TECHN. DATA / ITEMS SUPPLIED

- Aluminium, anodized E6/EV1
- Setscrew M05, galvanised
- Weight = 0.014 kg/piece

APPLICATIONS

- For the positioning and fastening of table tops and surface elements

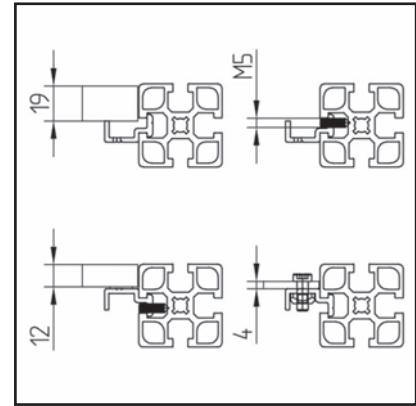
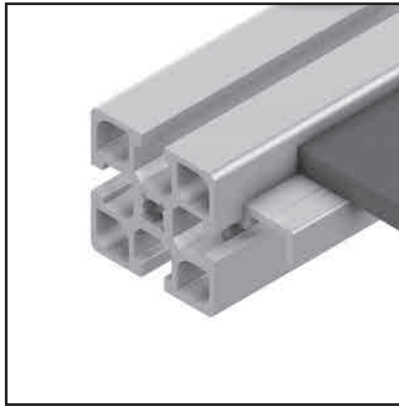
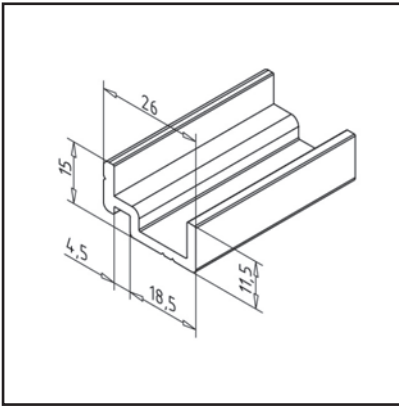
ASSEMBLY

- Swing into profile groove
- Clamp with set screw
- No machining required

SUPPORT PROFILE N

Part no.

20.1121/0



TECHN. DATA / ITEMS SUPPLIED

- Aluminium, extruded, anodized E6/EV1
- Weight = 0.339 kg/m
- Bar length = 6 m

APPLICATIONS

- All types of safety equipment
- For installation of surface elements such as panels and plates up to a thickness of 19 mm
- Subsequent insertion

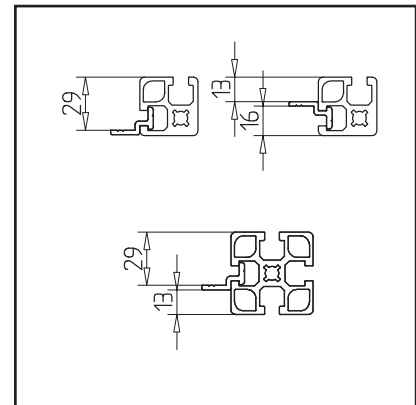
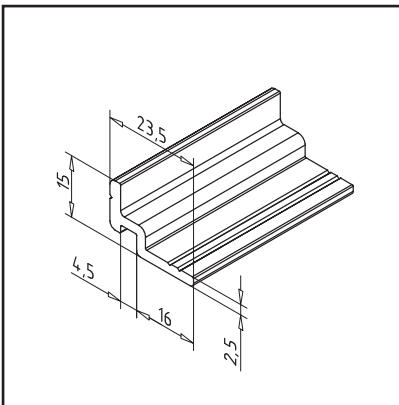
ASSEMBLY

- Slide the carrier profile into the groove and if necessary, fix it with a threaded pin
- Surface element: clear opening x+y: -2 mm

SUPPORT PROFILE F

Part no.

20.1149/0



TECHN. DATA / ITEMS SUPPLIED

- Aluminium, extruded, anodized E6/EV1
- Weight = 0.262 kg/m
- Bar length = 6 m

APPLICATIONS

- All types of safety equipment
- For installation of surface elements such as panels and plates up to a thickness of 19 mm
- Subsequent insertion

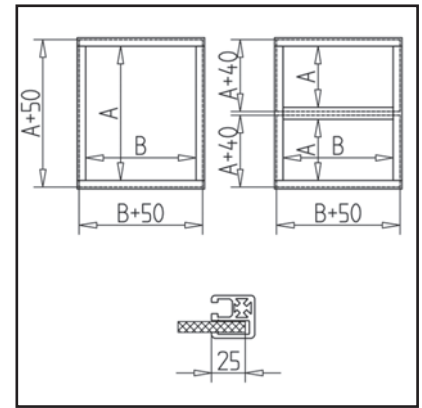
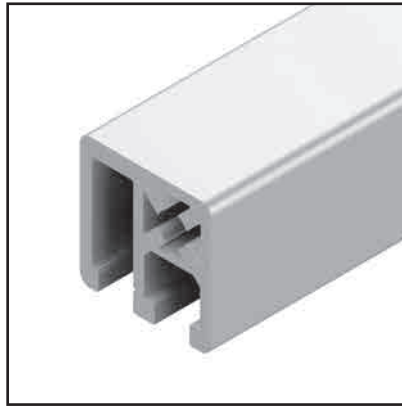
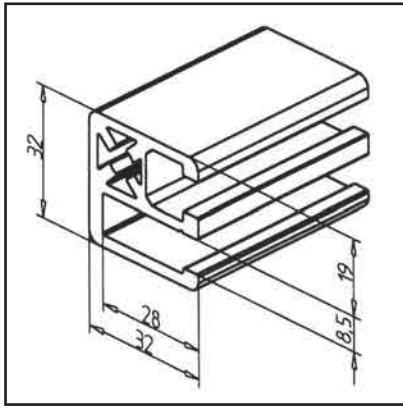
ASSEMBLY

- Slide the carrier profile into the groove and if necessary, fix it with a threaded pin

CLAMPING PROFILE 32 X 32

Part no.

20.1070/0

**TECHN. DATA / ITEMS SUPPLIED**

- Aluminium, extruded, anodized E6/EV1
- $I_x = 5.024 \text{ cm}^4$
- $I_y = 4.418 \text{ cm}^4$
- $w_x = 3.041 \text{ cm}^3$
- $w_y = 2.398 \text{ cm}^3$
- Weight = 1.211 kg/m
- Bar length = 6 m
- Packing unit = 48 m

APPLICATIONS

- All types of safety equipment
- For clamping of surface elements, such as woven mesh, panels, plates with a maximum strength of 8 mm
- In the case of larger protective fields, intermediate struts made of clamping profile 45 x 32 must be used in order to ensure adequate safety against pushing out of the surface elements; To do this, remove cover strips on clamping profile 45 x 32 mm
- Cut size of surface elements: Dimension A/B - 40/50 mm depending on application

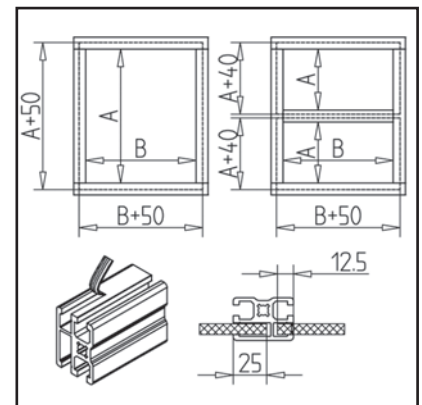
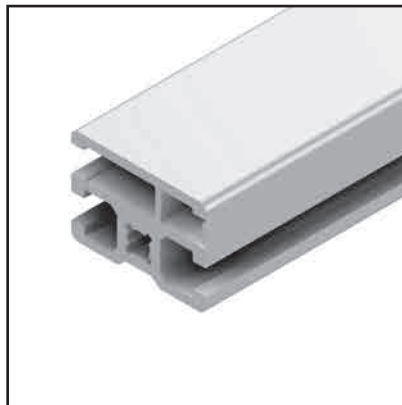
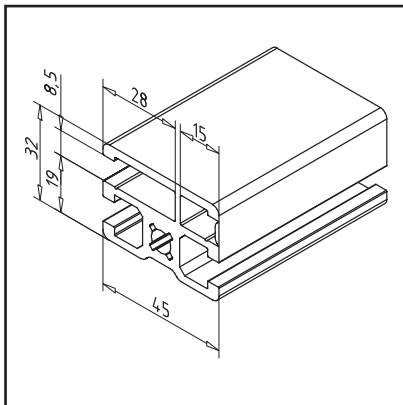
ASSEMBLY

- MiniTec power-lock fastener; no bores required
- No release of panel element corners required
- Pre-assemble tripartite frame
- Insert panel element and install last profile brace
- Press in the distance profile **part no. 22.1039/0** on the inside or drive in with a flat tool
- For panel elements < Mount 6 mm with matching plug-in seal or < Mount 4 mm with spacer profile and additionally suitable plug-in seal on the opposite side

CLAMPING PROFILE 45 X 32

Part no.

20.1053/0

**TECHN. DATA / ITEMS SUPPLIED**

- Aluminium, extruded, anodized E6/EV1
- $I_x = 6.465 \text{ cm}^4$
- $I_y = 9.521 \text{ cm}^4$
- $w_x = 3.999 \text{ cm}^3$
- $w_y = 4.119 \text{ cm}^3$
- Weight = 1.615 kg/m
- Bar length = 6 m
- Packing unit = 48 m

APPLICATIONS

- In the case of larger protective fields, intermediate struts made of clamping profile 45 x 32 must be used in order to ensure adequate safety against pushing out of the surface elements; To do this, remove cover strips on clamping profile 45 x 32 mm
- All types of safety equipment
- For clamping of surface elements, such as woven mesh, panels, plates with a maximum strength of 8 mm
- Cut size of surface elements: Dimension A/B - 40/50 mm depending on application

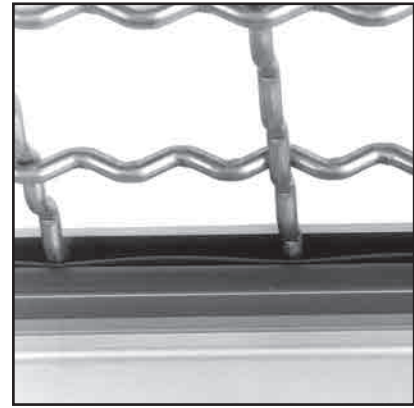
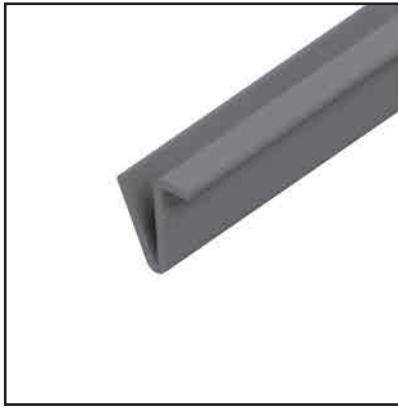
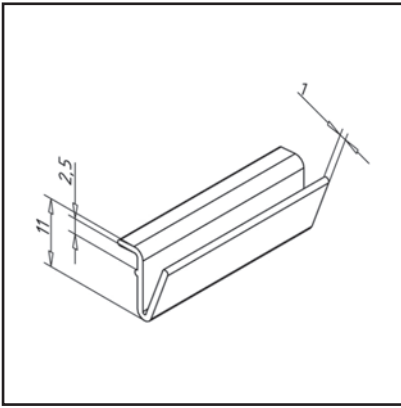
ASSEMBLY

- MiniTec power-lock fastener; no bores required
- No release of panel element corners required
- Pre-assemble tripartite frame
- Insert panel element and install last profile brace
- Press in the distance profile **part no. 22.1039/0** on the inside or drive in with a flat tool
- For panel elements < Mount 6 mm with matching plug-in seal or < Mount 4 mm with spacer profile and additionally suitable plug-in seal on the opposite side

DISTANCE PROFILE 30

Part no.

22.1158/0



TECHN. DATA / ITEMS SUPPLIED

- ABS, extruded, grey
- Weight = 0.020 kg/m
- Bar length = 2 m

APPLICATIONS

- For clamping surface elements such as corrugated mesh, panels and plates for profile series 30

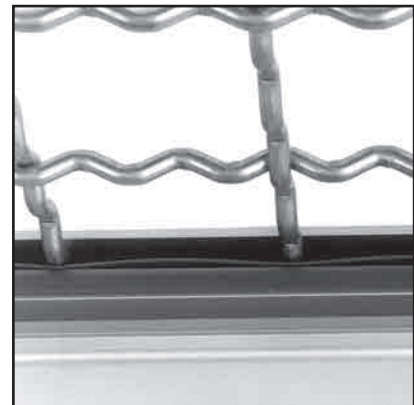
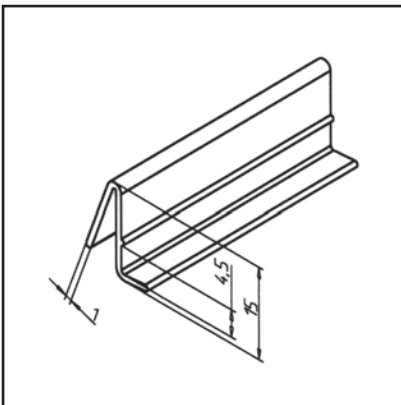
ASSEMBLY

- Mount the profile frames with the surface elements
- Push in distance profile on the inside or knock in with a flat tool

DISTANCE PROFILE

Part no.

22.1039/0



TECHN. DATA / ITEMS SUPPLIED

- ABS, extruded, grey
- Weight = 0.028 kg/m
- Bar length = 2 m

APPLICATIONS

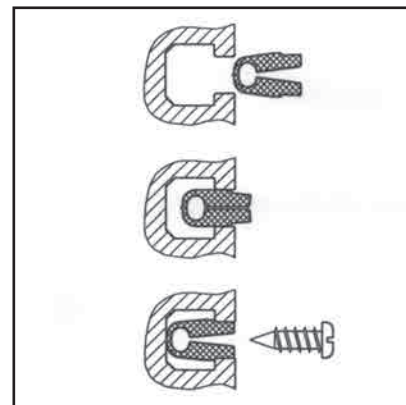
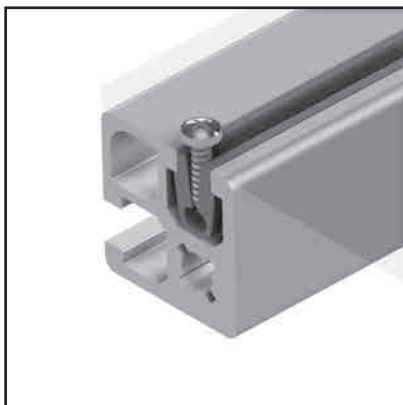
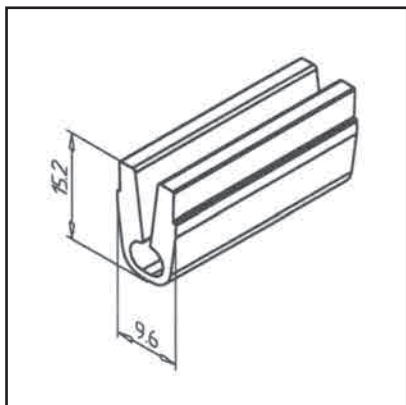
- Use in clamping profile 45 x 32 **part no. 20.1053/0** and clamping profile 32 x 32 **part no. 20.1070/0** for clamping surface elements
- Also for use with all other profiles to fix surface elements

ASSEMBLY

- Mount the profile frames with the surface elements
- Push in distance profile on the inside or knock in with a flat tool

SCREW SOCKET PROFILE

Part no. 22.1076/0



TECHN. DATA / ITEMS SUPPLIED

- PVC, extruded, grey
- Weight = 0.118 kg/m
- Bar length = 2 m

APPLICATIONS

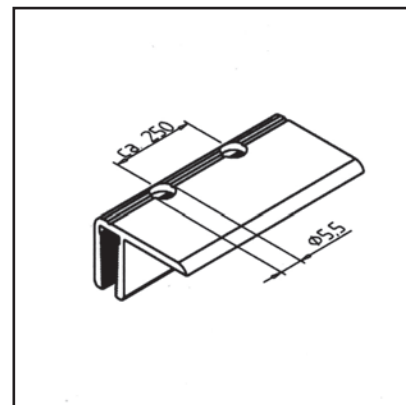
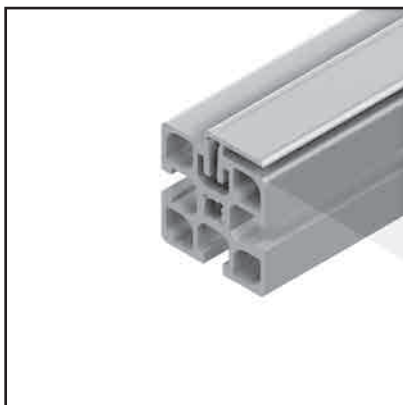
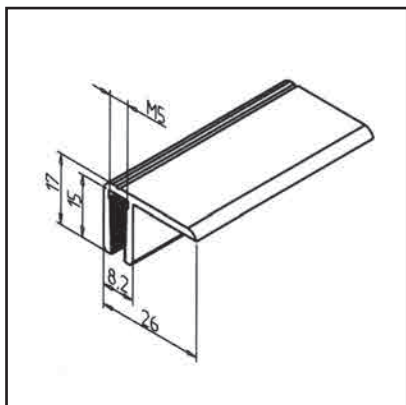
- Fastening surface elements or components at any location

ASSEMBLY

- Clip profile into groove
- Fasten element with commercial-type selftapping screws \varnothing 4-5 mm; Length min: 16 mm
- for material thickness of 1-6 mm, sheet metal screw 3,5 x 16 mm **part no. 21.1365/0**

PANEL CLAMPING PROFILE

Part no. 20.1025/0



TECHN. DATA / ITEMS SUPPLIED

- Aluminium, extruded, anodized E6/EV1
- Weight = 0.260 kg/m
- Bar length = 6 m

APPLICATIONS

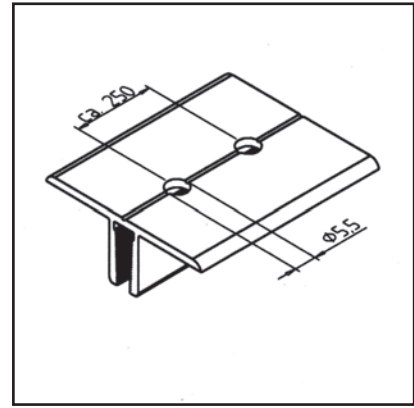
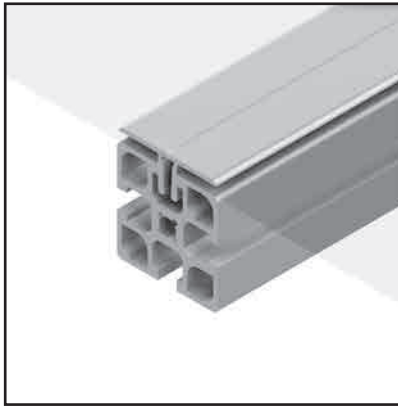
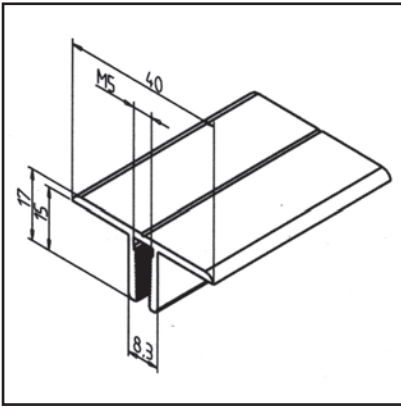
- Fastening of surface elements
- Post fitting of facing panels
- Reception of surface elements with a maximum strength of 10 mm

ASSEMBLY

- Place the bore \varnothing 5.5 for the threaded pin M5 in a grid size of approx. 250 mm
- Press in the profile groove and clamp with grub screw M5 x 12 **part no. 21.1381/0**

DOUBLE PANEL CLAMPING PROFILE

Part no. 20.1018/0



TECHN. DATA / ITEMS SUPPLIED

- Aluminium, extruded, anodized E6/EV1
- Weight = 0.375 kg/m
- Bar length = 6 m

APPLICATIONS

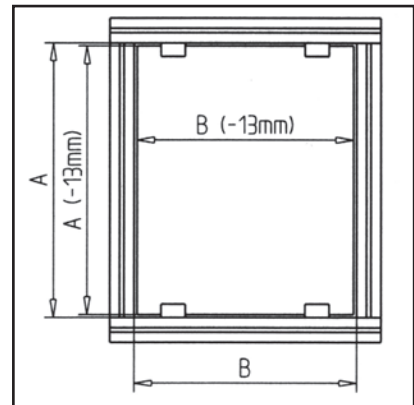
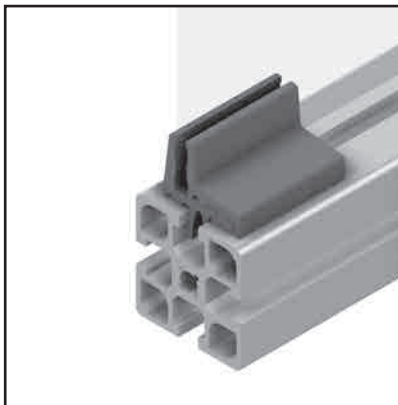
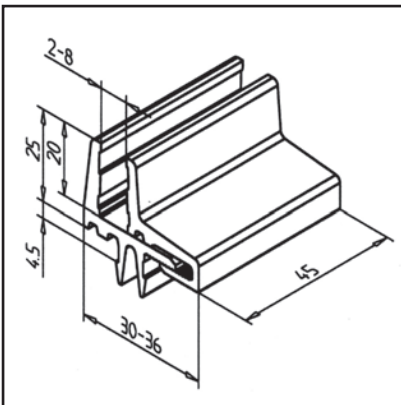
- Attachment of panels on the outer face in the region of a butt joint
- Reception of surface elements with a maximum strength of 10 mm

ASSEMBLY

- Place the bore $\varnothing 5.5$ for the threaded pin M5 in a grid size of approx. 250 mm
- Press in the profile groove and clamp with grub screw M5 x 12 **part no. 21.1381/0**
- See also surface clamping profile **part no. 20.1025/0**

PANEL HOLDER GREY

Part no. 22.1090/1



TECHN. DATA / ITEMS SUPPLIED

- PVC, extruded, grey
- On request also available in black, **part no. 22.1090/0**
- Weight = 0.011 kg/piece

APPLICATIONS

- Fixation surface elements with a maximum strength of 8 mm
- For surface elements smaller than 4 mm, a moss rubber strip must be inserted
- Windows, doors
- Not suitable for corrugated mesh

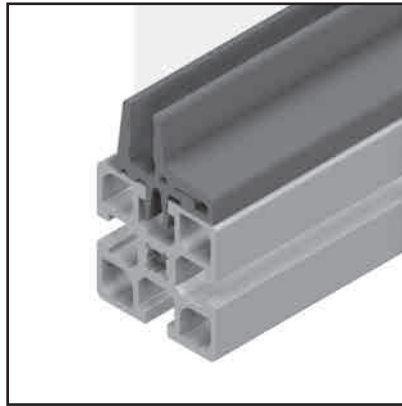
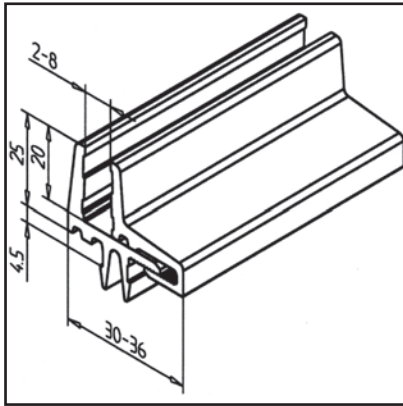
ASSEMBLY

- Fold the sockets into the profile groove
- Insert the panel element
- Press clamping half firmly on socket half

CLAMPING PROFILE PVC

Part no.

22.1092/0



TECHN. DATA / ITEMS SUPPLIED

- PVC, extruded, grey
- On request also available in black, **part no. 22.1080/0**
- Weight = 0.550 kg/m
- Bar length = 2 m

APPLICATIONS

- Fixation surface elements with a maximum strength of 8 mm
- For surface elements smaller than 4 mm, a moss rubber strip must be inserted
- Windows, doors
- No free space between profile and panel element
- Also suitable for corrugated mesh

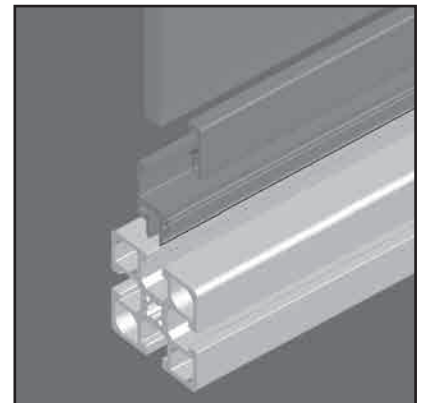
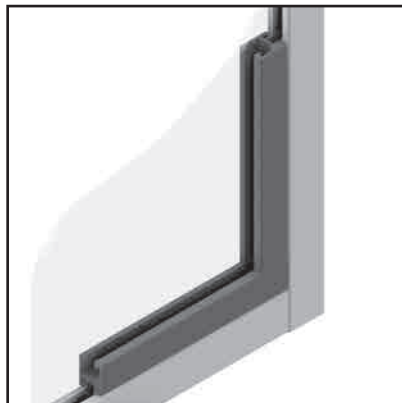
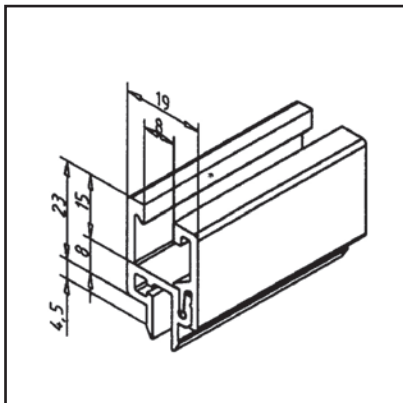
ASSEMBLY

- Snap socket half into profile groove
- Insert the panel element
- Press clamping half firmly on socket half

PANEL FRAMING PROFILE

Part no.

22.1107/1



TECHN. DATA / ITEMS SUPPLIED

- ABS, extruded, grey
- On request also available in black **part no. 22.1107/0**
- Weight = 0.229 kg/m
- Bar length = 2 m

APPLICATIONS

- For retrofitting surface elements in existing profile frames
- Fixation surface elements with a maximum strength of 8 mm
- For panels up to 8 mm use additional insert seal
- For subsequent installation of corrugated mesh please use clamp profile PVC
- Windows, doors
- No free space between profile and panel element

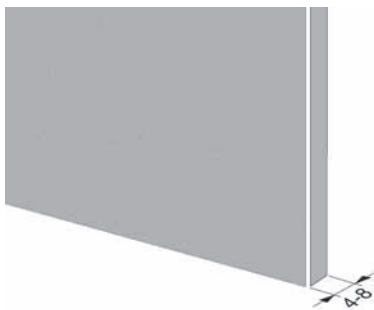
ASSEMBLY

- Snap socket half into profile groove
- Insert the panel element
- Press clamping half firmly on socket half
- **No mitre cut necessary**

SURFACE ELEMENTS

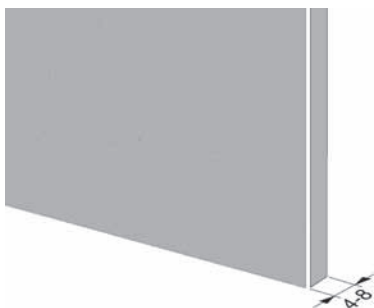
MATERIAL & CHOICES

ACRYL



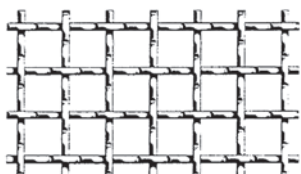
Part no.	STRENGTH	COLOUR	WEIGHT	PLATE SIZE
21.1832/0	4 mm	smoke-coloured	4,76 kg/m ²	2050 x 3050 mm
21.1811/0	5 mm	smoke-coloured	5,95 kg/m ²	2050 x 3050 mm
21.1812/0	6 mm	smoke-coloured	7,14 kg/m ²	2050 x 3050 mm
21.1813/0	8 mm	smoke-coloured	9,52 kg/m ²	2050 x 3050 mm
21.1826/0	4 mm	crystal clear	4,76 kg/m ²	2050 x 3050 mm
21.1836/0	5 mm	crystal clear	5,95 kg/m ²	2050 x 3050 mm
21.1827/0	6 mm	crystal clear	7,14 kg/m ²	2050 x 3050 mm
21.1828/0	8 mm	crystal clear	9,52 kg/m ²	2050 x 3050 mm

POLYCARBONATE



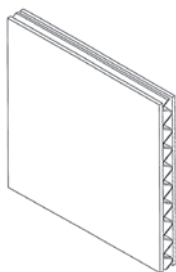
Part no.	STRENGTH	COLOUR	WEIGHT	PLATE SIZE
21.1809/0	4 mm	smoke-coloured	4,76 kg/m ²	2050 x 3050 mm
21.1808/0	5 mm	smoke-coloured	5,95 kg/m ²	2050 x 3050 mm
21.1807/0	6 mm	smoke-coloured	7,20 kg/m ²	2050 x 3050 mm
21.1821/0	8 mm	smoke-coloured	9,78 kg/m ²	2050 x 3050 mm
21.1829/0	4 mm	crystal clear	4,80 kg/m ²	2050 x 3050 mm
21.1833/0	5 mm	crystal clear	5,95 kg/m ²	2050 x 3050 mm
21.1830/0	6 mm	crystal clear	7,20 kg/m ²	2050 x 3050 mm
21.1831/0	8 mm	crystal clear	9,78 kg/m ²	2050 x 3050 mm

WAVE GRID



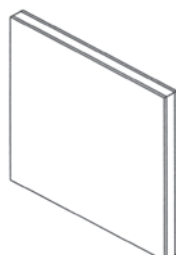
Part no.	WIRE STRENGTH	MESH WIDE	WEIGHT	PLATE SIZE	MATERIAL
21.1803/0	4 mm	30 mm	6,2 kg/m ²	2000 x 3000 mm	pc, galvanized
21.1805/0	4 mm	40 mm	4,7 kg/m ²	2000 x 3000 mm	pc, galvanized
21.1818/2	4 mm	30 mm	2,14 kg/m ²	2000 x 2000 mm	ALMg3
21.1818/1	4 mm	40 mm	1,6 kg/m ²	2000 x 2000 mm	ALMg3

ALUMINIUM-WAVE PANEL



Part no.	21.1853/0
Front	0,8 mm
Back	0,5 mm
Aluminium Shaft	0,2 mm
total thickness	6 mm
Weight	4,6 kg/m ²
Plate size	1500 x 3000 mm
Material	Aluminum adhesive coated on both sides, paintable, printable, recyclable

COMPOSITE



Part no.	21.1834/0
Material outside	Aluminium (anodized)
Material inside	Polyethylene
total thickness	6 mm
Weight	7,3 kg/m ²
Plate size	1250 x 2500 mm
Others	paintable, printable, recyclable

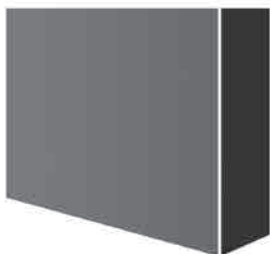
ON DEMAND Aluminium sheets, steel plates, perforated sheets, plywood panels

SURFACE ELEMENTS

MATERIAL & CHOICES

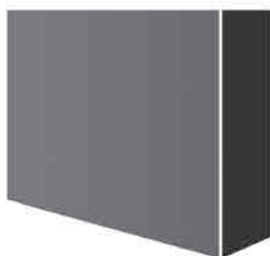
Extremely scratch-resistant, water-resistant and resistant to a variety of chemicals, acids and alkalis.

HPL compact tabletop



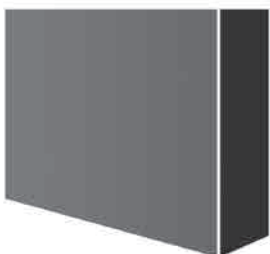
part no.	Color	Thickness	Weight	Size	ESD
32.6201/0	light grey	5	7 Kg/m ²	2520 x 1280	Nein
32.6202/0	light grey	8	11,2 Kg/m ²	2520 x 1280	Nein
32.6203/0	light grey	16	22,4 Kg/m ²	2520 x 1280	Nein
32.6204/0	light grey	20	30 Kg/m ²	2520 x 1280	Nein
32.6205/0	light grey	8	11,2 Kg/m ²	2520 x 1280	Ja
32.6206/0	light grey	10	14 Kg/m ²	2520 x 1280	Ja
32.6207/0	light grey	16	22,4 Kg/m ²	2520 x 1280	Ja
32.6208/0	light grey	20	30 Kg/m ²	2520 x 1280	Ja

PVC-PLATE



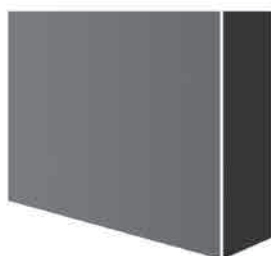
Part no.	21.1817/0
Thickness	20 mm
Color	grey, 7011 RAL
Weight	28 kg/m ²
Plate size	1000 x 2000 mm
Others	other colours and strengths, Anti-static Tabletops on request

RECYCLING-PLATE PE



Part no.	32.0406/0
Thickness	10 - 40 mm
Colour	black
Plate size	1000 x 2000 mm
Density	0,93 kg/dm ³
Others	PE-Regenerated

RECYCLING-PLATE PE CONFETTI



Part no.	32.0405/0
Thickness	10 - 40 mm
Colour	confetti
Plate size	1000 x 2000 mm
Density	0,93 kg/dm ³
Others	PE-Regenerated

*(The colour spread may vary depending on the delivery in shape, colour and size)