

HYDRAULICS

Items supplied

- Hydraulic pump for 1 to 6 cylinders
- Alternatively with hand crank or electric drive
- Add-on or built-in cylinders with 150 - 500 mm stroke length
- 5 mm stroke per crank revolution or 15mm/sec with electrical drive
- Hydraulic hoses PA 4 mm
- Cylinders are single-acting
- Minimum load for retraction approx. 5 kg
- Temperature range from -20°C bis + 45°C

Application

- Lifting, lowering, tilting tables, countertops, desks, workbenches, fixtures, etc.

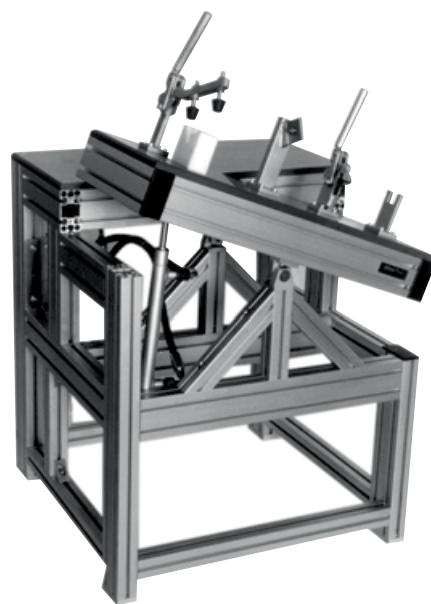
Assembly

- Tighten the pump at the appropriate place in the construction with screws M6 to the profile groove
- Mount built-in cylinder in aluminum profile "S"
- Mount the add-on cylinder to the profile groove using the adapter plate

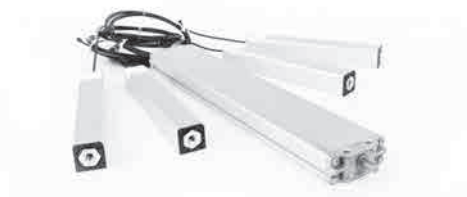
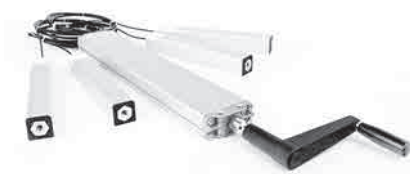
Available special versions and equipment

- Fasteners for pumps according to customer requirements
- Mounting parts for mounting cylinder according to customer requirements
- Fastening kit 45 for installation cylinder
part no. 27.0005/0 for all profiles with hollow chamber \varnothing 32 except for profile 90 x 90 S and 90 x 180 s.
 For these, please use the fixing kit 90
part no. 27.0006/0
- Service kit with oil, fittings, special wrench, tube cutter and filling syringe

When working on the hydraulics, great care should be taken. In order to prevent air bubbles from forming in the system, we recommend having this work carried out by us.



HYDRAULICS



Complete system with add-on cylinder LA - manual

PUMP	PA	PA	PB	PB	PB	PB
System load	150 kg	300 kg	350 kg			
Number of cylinders	1	2	3	4	5	6
LA 150 man.	27.0118/1	27.0118/2	27.0118/3	27.0118/4	27.0118/5	27.0118/6
LA 200 man.	27.0122/1	27.0122/2	27.0122/3	27.0122/4	27.0122/5	27.0122/6
LA 300 man.	27.0126/1	27.0126/2	27.0126/3	27.0126/4	27.0126/5	27.0126/6
LA 400 man.	27.0130/1	27.0130/2	27.0130/3	27.0130/4	27.0130/5	27.0130/6
LA 500 man.	27.0134/1	27.0134/2	27.0134/3	27.0134/4	27.0134/5	27.0134/6

Complete system with add-on cylinder LA - electric

LA 150 elektr.	27.0119/1	27.0119/2	27.0119/3	27.0119/4	27.0119/5	27.0119/6
LA 200 elektr.	27.0123/1	27.0123/2	27.0123/3	27.0123/4	27.0123/5	27.0123/6
LA 300 elektr.	27.0127/1	27.0127/2	27.0127/3	27.0127/4	27.0127/5	27.0127/6
LA 400 elektr.	27.0131/1	27.0131/2	27.0131/3	27.0131/4	27.0131/5	27.0131/6
LA 500 elektr.	27.0135/1	27.0135/2	27.0135/3	27.0135/4	27.0135/5	27.0135/6



Complete system with built-in cylinder LB - manual

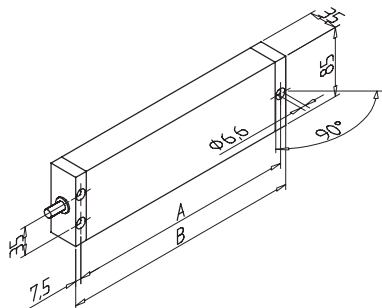
PUMP	PA	PA	PB	PB	PB	PB
System load	150 kg	300 kg	350 kg			
Number of cylinders	1	2	3	4	5	6
LB 150 man.	27.0120/1	27.0120/2	27.0120/3	27.0120/4	27.0120/5	27.0120/6
LB 200 man.	27.0124/1	27.0124/2	27.0124/3	27.0124/4	27.0124/5	27.0124/6
LB 300 man.	27.0128/1	27.0128/2	27.0128/3	27.0128/4	27.0128/5	27.0128/6
LB 400 man.	27.0132/1	27.0132/2	27.0132/3	27.0132/4	27.0132/5	27.0132/6
LB 500 man.	27.0136/1	27.0136/2	27.0136/3	27.0136/4	27.0136/5	27.0136/6

Complete system with built-in cylinder LB - electric

LB 150 elektr.	27.0121/1	27.0121/2	27.0121/3	27.0121/4	27.0121/5	27.0121/6
LB 200 elektr.	27.0125/1	27.0125/2	27.0125/3	27.0125/4	27.0125/5	27.0125/6
LB 300 elektr.	27.0129/1	27.0129/2	27.0129/3	27.0129/4	27.0129/5	27.0129/6
LB 400 elektr.	27.0133/1	27.0133/2	27.0133/3	27.0133/4	27.0133/5	27.0133/6
LB 500 elektr.	27.0137/1	27.0137/2	27.0137/3	27.0137/4	27.0137/5	27.0137/6

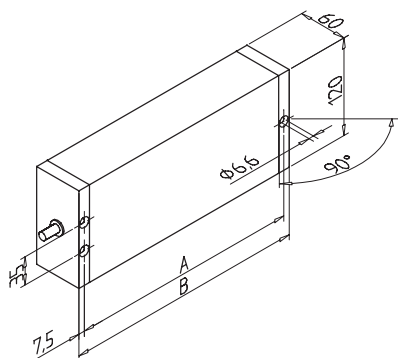
HYDRAULICS

HYDRAULIC PUMPS PA FOR 1-2 CYLINDERS
 HYDRAULIC PUMPS PB FOR 3-6 CYLINDERS
 ADD-ON CYLINDER LA



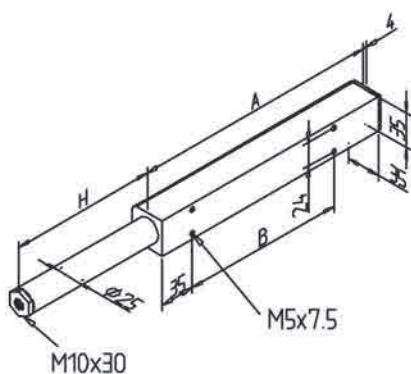
Hydraulic pumps PA for 1-2 cylinders

TYPE	Stroke H mm	Dimension A mm	Dimension B mm
PA 150	150	283,5	298,5
PA 200	200	343,5	358,5
PA 300	300	465,5	480,5
PA 400	400	585,5	600,5
PA 500	500	707,5	722,5



Hydraulic pumps PB for 3-6 cylinders

TYPE	Stroke H mm	Dimension A mm	Dimension B mm
PB 150	150	283,5	298,5
PB 200	200	343,5	358,5
PB 300	300	465,5	480,5
PB 400	400	585,5	600,5
PB 500	500	707,5	722,5

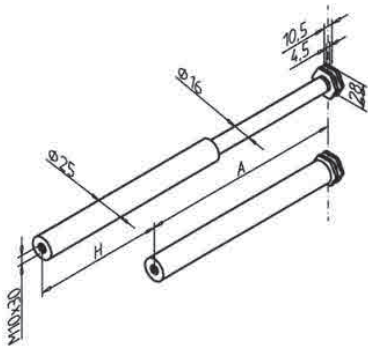


Add-on cylinder LA

TYPE	Stroke H mm	Length A mm	Length B mm	lateral load kg max.
LA 150	150	252	165	130
LA 200	200	317	240	97
LA 300	300	442	340	65
LA 400	400	542	340	48
LA 500	500	667	450	29

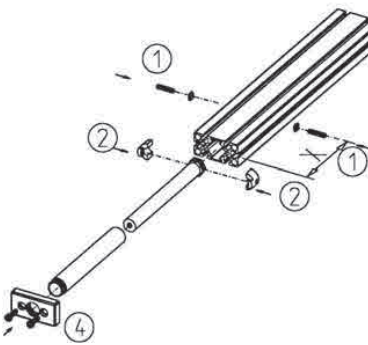
For attachment to a wide variety of constructions using adapter plates.

MOUNTING CYLINDER LB, FASTENING KIT 45 FOR MOUNTING CYLINDER, FASTENING KIT 90 FOR MOUNTING CYLINDER



Add-on cylinder LB

TYPE	Stroke H mm	Length A mm	lateral load kg max.
LB 150	150	235	130
LB 200	200	300	97
LB 300	300	425	65
LB 400	400	525	48
LB 500	500	650	29

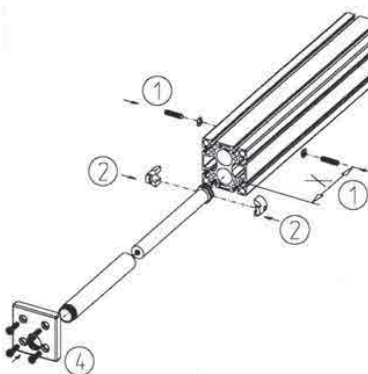
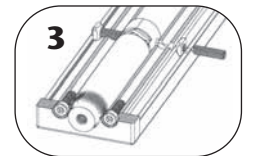


Fastening kit 45 for installation cylinder (Part No. 27.0005/0)

Suitable for all stroke lengths as well as for profile 45x90S, 45x135G and 45x180G

Assembly

1. Drill profile according to measurement table (dimension X) Ø 8,5 mm
2. Place 2 holders on cylinder and insert in profile chamber Ø 32
3. Insert the centering hole into the mounting pieces (through hole distance X), then fix with threaded pin
4. Screw guide tube into connection plate, insert in profile and fasten

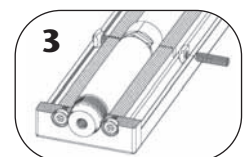


Fastening kit 90 for installation cylinder (Part No. 27.0006/0)

Suitable for all stroke lengths as well as for profile 90x90s, 90x180

Assembly

1. Drill profile according to measurement table (dimension X) Ø 8,5 mm
2. Place 2 holders on cylinder and insert in profile chamber Ø 32
3. Insert the centering hole into the mounting pieces (through hole distance X), then fix with threaded pin
4. Screw guide tube into connection plate, insert in profile and fasten



Measurements for fastening kit 45 and 90

Cylinder	LB 150	LB 200	LB 300	LB 400	LB 500
Dimension X (mm)	224	289	414	514	639